



(51) International Patent Classification:

A61B 17/94 (2006.01) A61B 5/06 (2006.01)
A61B 34/00 (2016.01) A61B 17/34 (2006.01)

(21) International Application Number:

PCT/CA2017/050103

(22) International Filing Date:

27 January 2017 (27.01.2017)

(25) Filing Language:

English

(26) Publication Language:

English

(30) Priority Data:

62/289,120 29 January 2016 (29.01.2016) US

(71) Applicant: **SENSOR MEDICAL LABORATORIES LTD.** [CA/CA]; Suite 225, 20 Carlton Street, Toronto, Ontario M5B 2H5 (CA).

(72) Inventors: **BROOKS, Robert**; c/o Sensor Medical Laboratories Ltd., Suite 225, 20 Carlton Street, Toronto, Ontario M5B 2H5 (CA). **WEE, Justin**; c/o Sensor Medical Laboratories Ltd., Suite 225, 20 Carlton Street, Toronto, Ontario M5B 2H5 (CA). **GERSTLE, Justin**; c/o Sensor Medical Laboratories Ltd., Suite 225, 20 Carlton Street, Toronto, Ontario M5B 2H5 (CA). **LOOI, Thomas**; c/o Sensor Medical Laboratories Ltd., Suite 225, 20 Carlton Street, Toronto, Ontario M5B 2H5 (CA). **DRAKE, James**; c/o Sensor Medical Laboratories Ltd., Suite 225, 20 Carlton Street, Toronto, Ontario M5B 2H5 (CA).

(74) Agent: **SABETA, Anton**; Aird & McBurney LP, Brookfield Place, 181 Bay Street, Suite 1800, Box 754, Toronto, Ontario M5J 2T9 (CA).

(81) Designated States (unless otherwise indicated, for every kind of national protection available): AE, AG, AL, AM, AO, AT, AU, AZ, BA, BB, BG, BH, BN, BR, BW, BY, BZ, CA, CH, CL, CN, CO, CR, CU, CZ, DE, DJ, DK, DM, DO, DZ, EC, EE, EG, ES, FI, GB, GD, GE, GH, GM, GT, HN, HR, HU, ID, IL, IN, IR, IS, JP, KE, KG, KH, KN, KP, KR, KW, KZ, LA, LC, LK, LR, LS, LU, LY, MA, MD, ME, MG, MK, MN, MW, MX, MY, MZ, NA, NG, NI, NO, NZ, OM, PA, PE, PG, PH, PL, PT, QA, RO, RS, RU, RW, SA, SC, SD, SE, SG, SK, SL, SM, ST, SV, SY, TH, TJ, TM, TN, TR, TT, TZ, UA, UG, US, UZ, VC, VN, ZA, ZM, ZW.

(84) Designated States (unless otherwise indicated, for every kind of regional protection available): ARIPO (BW, GH, GM, KE, LR, LS, MW, MZ, NA, RW, SD, SL, ST, SZ, TZ, UG, ZM, ZW), Eurasian (AM, AZ, BY, KG, KZ, RU, TJ, TM), European (AL, AT, BE, BG, CH, CY, CZ, DE, DK, EE, ES, FI, FR, GB, GR, HR, HU, IE, IS, IT, LT, LU, LV, MC, MK, MT, NL, NO, PL, PT, RO, RS, SE, SI, SK, SM, TR), OAPI (BF, BJ, CF, CG, CI, CM, GA, GN, GQ, GW, KM, ML, MR, NE, SN, TD, TG).

Published:

— with international search report (Art. 21(3))

(54) Title: SENSOR FILM FOR ENDOSCOPIC INSTRUMENTS

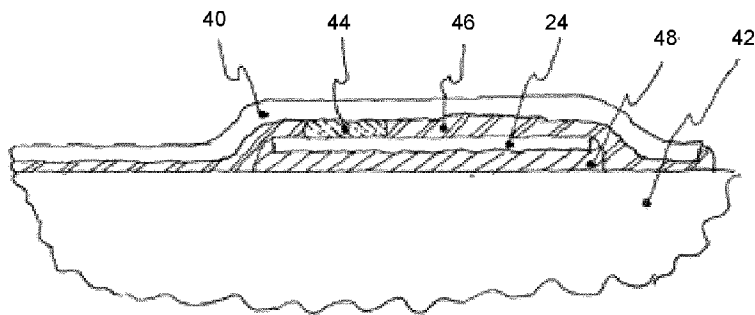


Figure 4

(57) Abstract: An endoscopic instrument for use with a trocar, said endoscopic instrument comprising an elongate shaft body having a proximal end and a distal end; an end effector assembly at said distal end operable by manipulation of actuator mechanism at said proximal end; a substrate core having a first surface and a second surface; at least one sensing element on said first surface, said at least one sensing element located adjacent to said distal end; an electronics module for receiving sensed signals from said at least one sensing element, said electronics module located adjacent to said proximal end; a first conductive layer residing on said first surface, said first conductive layer having first solder mask coated thereon; a second conductive layer residing on said second surface, second conductive layer having a second solder mask coated thereon, and wherein said second conductive layer coupled to said at least one sensing element relays said sensed signals from said at least one sensing element to said electronics module and said first conductive layer is grounded.



SENSOR FILM FOR ENDOSCOPIC INSTRUMENTS

FIELD OF THE INVENTION

[0001] The present invention relates to endoscopic surgery and more particularly to endoscopic instruments associated with one or more sensors.

BACKGROUND

[0002] Traditional open surgery uses surgical tools and techniques that put the surgeon in direct contact with tissue at the surgical site. Accordingly, surgeons are able to assess the amount of force they are applying to the often delicate tissue when operating with help of surgical tools. Generally, the application of excessive forces on the tissue may lead to damage, such as bruising, tearing, or worse. While traditional open surgery gives surgeons some control of the force on the tools, this type of surgery requires a large amount of dissection to reach internal surgical sites. In order to significantly reduce the amount of dissection required to access the surgical site, traditional surgery is being replaced with endoscopic surgery.

[0003] Endoscopic surgery is a method of surgery in which elongated tools are inserted through small incisions made on the body. These endoscopic tools, or instruments, consist of a proximal handle, an elongated member extending from the handle, and a distal end effector. End effectors may be, but are not limited to, graspers, snares, scissors, needles, or retractors. Endoscopic instruments are inserted into the body through trocars which provide a conduit for the endoscopic instruments. Trocars consist of a sharp, removable distal tip, a hollow medical tube, and a proximal bulb. Generally, the trocar is inserted into the body through a small incision dimensioned to fit the sharp, removable tip, and the trocar is advanced into the body until the tip reaches the surgical site. Trocars are manufactured in standard sizes for trocar and endoscopic instrument interoperability. In addition to creating the channels into the body and protecting the surrounding tissue from damage from tool friction, the trocars can also act as a port for injecting a gas, such as nitrogen, oxygen, or air into the cavity to

expand the cavity and create a larger working area for the endoscopic instruments. The gap between the endoscopic instrument and trocar is minimized to prevent the gas from escaping.

[0004] While endoscopic surgery significantly reduces the amount of dissection required to reach internal surgical sites, it also introduces a host of problems for the surgeon to contend with. Trocars create a fulcrum effect which changes the mechanical advantage of an endoscopic instrument as it is translated in or out of the trocar. The instruments are often at much higher or lower mechanical advantage due to length of the instruments. Finally, trocars create friction that varies with lubrication and loading perpendicular to the medical tube. All of these mechanics make it significantly more difficult for surgeons to accurately assess the amount of force they apply to the tissue. Given that most tissue is relatively delicate, excessive application of force can bruise, tear, and kill tissue leading to surgical complications, poorer surgical outcomes, and/or patient discomfort. Additionally, tying suture knots requires a precise application of force, as tying the knot too tightly can cause the tissue being joined to die, while tying too lightly can lead to leakage or poor healing.

[0005] Various approaches have been proposed in an attempt to measure forces applied to the tissue when using endoscopic instruments. For example, in one approach distal sensors are coupled to the exterior of the instrument using wiring inserted in grooves that are machined into the shaft of the instrument. However, this method requires the instrument to be modified to accommodate the sensors and create the grooves in the shaft of the instrument.

[0006] In yet another approach, a sheath with sensors and wiring embedded therein is placed over the instrument. However, these sheaths are too thick to fit between an existing endoscopic instrument and its intended size of trocar, therefore either the next larger size of trocar must be used, or the trocar or the instrument must be redesigned to accommodate the increased bulk. Additionally, the sheath is an extra item that must be sterilized and, since the sheath is not in perfect contact with the shaft

of the instrument, the sensor readings may not be recorded, and therefore some time periods may have missing sensor readings. This inconsistency in the sensor readings renders this approach unreliable and unsuitable.

[0007] In yet another approach, distal sensors are coupled with wiring on the interior of the instrument. However, this approach requires the sensors to be built into the instrument during manufacturing or requires the instrument to be designed to be disassembled.

[0008] It is an object of the present invention to mitigate or obviate at least one of the above-mentioned disadvantages.

SUMMARY OF THE INVENTION

[0009] In one of its aspects, there is provided an endoscopic instrument for use with a trocar, said endoscopic instrument comprising:

- an elongate shaft body having a proximal end and a distal end;
- an end effector assembly at said distal end operable by manipulation of actuator mechanism at said proximal end;
- a substrate core having a first surface and a second surface; and wherein said substrate is conformally attached to said elongated shaft body
- at least one sensing element on said elongate shaft body, said at least one sensing element located adjacent to said distal end;
- an electronics module for receiving sensed signals from said at least one sensing element, said electronics module located adjacent to said proximal end;
- a first conductive layer residing on said first surface, said first conductive layer having a first solder mask coated thereon; and
- a second conductive layer residing on said second surface, second conductive layer having a second solder mask coated thereon, and wherein said second conductive layer coupled to said at least one sensing element relays said sensed signals from said at least one sensing element to said electronics module and said a first conductive layer is grounded.

[0010] In another of its aspects, there is provided an endoscopic instrument for use with a trocar, said endoscopic instrument comprising:

an elongate shaft body having a proximal end and a distal end;

an end effector assembly at said distal end operable by manipulation of actuator mechanism at said proximal end;

a substrate core having a first surface and a second surface; and wherein said substrate is conformally attached to said elongated shaft body;

at least one sensing element on said elongate shaft body, said at least one sensing element located adjacent to said distal end;

an electronics module for receiving sensed signals from said at least one sensing element, said electronics module located adjacent to said proximal end;

a first conductive layer residing on said first surface, said first conductive layer having a low friction, non-conductive layer thereon;

a second conductive layer residing on said second surface, second conductive layer having a solder mask coated thereon, and wherein said second conductive layer coupled to said at least one sensing element relays said sensed signals from said at least one sensing element to said electronics module and said a first conductive layer is grounded; and

said low friction, non-conductive layer is adhered to first conductive layer via an adhesive to surround edges of said substrate core, second conductive layer and solder mask.

[0011] In another of its aspects, there is provided an endoscopic instrument for use with a trocar, said endoscopic instrument comprising:

an elongate shaft body having a proximal end and a distal end;

an end effector assembly at said distal end operable by manipulation of actuator mechanism at said proximal end;

at least one sensing element on said elongate shaft body, said at least one

sensing element located adjacent to said distal end;
an electronics module for receiving sensed signals from said at least one sensing element, said electronics module located adjacent to said proximal end;
an upper substrate core;
a lower substrate core; and wherein said upper substrate core and said lower substrate core are conformally attached to said elongated shaft body;
an intermediate conductive layer between said upper substrate core and said lower substrate core;
a first conductive layer residing on said upper substrate core, and said first conductive layer having a first solder mask coated thereon;
a second conductive layer residing below said second conductive layer, and having a second solder mask coated thereon; and
wherein said intermediate conductive layer relays said sensed signals, and said first conductive layer and second conductive layer are grounded.

[0012] In another of its aspects, there is provided an endoscopic instrument for use with a trocar, said endoscopic instrument comprising:

an elongate shaft body having a proximal end and a distal end;
an end effector assembly at said distal end operable by manipulation of actuator mechanism at said proximal end;
a substrate core having a first surface and a second surface; and wherein said substrate is conformally attached to said elongated shaft body;
at least one sensing element on said elongate shaft body, said at least one sensing element located adjacent to said distal end;
an electronics module for receiving sensed signals from said at least one sensing element, said electronics module located adjacent to said proximal end;
a sheet of grounded ferromagnetic metal residing on said first surface, said a sheet of grounded ferromagnetic metal; and
a conductive layer residing on said second surface, second

conductive layer having a solder mask coated thereon, and wherein said second conductive layer is coupled to said at least one sensing element to relay said sensed signals from said at least one sensing element to said electronics module.

[0013] In another of its aspects, there is provided an endoscopic instrument for use with a trocar, said endoscopic instrument comprising:

an elongate shaft body having a proximal end and a distal end;

an end effector assembly at said distal end operable by manipulation of actuator mechanism at said proximal end;

at least one sensing element on said elongate shaft body, said at least one sensing element located adjacent to said distal end;

an electronics module for receiving sensed signals from said at least one sensing element, said electronics module located adjacent to said proximal end;

an upper substrate core;

a lower substrate core; and wherein said upper substrate core and said lower substrate core are conformally attached to said elongated shaft body;

an intermediate conductive layer between said upper substrate core and said lower substrate core;

a sheet of grounded ferromagnetic metal residing on said upper substrate core, and said sheet of grounded ferromagnetic metal first conductive layer having a low friction, non-conductive layer;

a second conductive layer residing below said second conductive layer, and having a second solder mask coated thereon; and

wherein said low friction, non-conductive layer is adhered to said sheet of grounded ferromagnetic metal via an adhesive and around edges of said upper substrate core, a lower substrate core, intermediate conductive layer, second conductive layer and second solder mask; and

wherein said intermediate conductive layer relays said sensed signals, and said sheet of grounded ferromagnetic metal and second conductive layer are grounded.

[0014] In another of its aspects, there is provided a method for sensing at least one property associated with an end effector of an endoscopic instrument during a surgical procedure, wherein said endoscopic instrument is used via a trocar, said endoscopic instrument comprising an elongate shaft body having a proximal end and a distal end, and an end effector assembly at said distal end operable by manipulation of actuator mechanism at said proximal end; said method comprising the steps of:

securing a sensor film conformally on said elongate shaft body, said sensor film comprising:

a substrate core having a first surface and a second surface; and wherein substrate core is conformally attached to said elongated shaft body;

at least one sensing element located adjacent to said distal end;

a first conductive layer residing on said first surface, said first conductive layer having first solder mask coated thereon, and wherein said first conductive layer is grounded;

a second conductive layer residing on said second surface, second conductive layer having a second solder mask coated thereon, and coupled to said at least one sensing element;

causing said at least one sensing element to measure at least one property and output a sensed signal and to convey said sensed signal via said second conductive layer to an electronics module;

at said an electronics module, receiving said sensed signal and processing said sensed signal to determine said property.

[0015] In another of its aspects, there is provided a sensor film comprising:
a substrate core having a first surface and a second surface;
at least one sensing element for sensing at least one property;

a first conductive layer residing on said first surface, said first conductive layer having first solder mask coated thereon, and wherein said first conductive layer is grounded; and

a second conductive layer residing on said second surface, second conductive layer having a second solder mask coated thereon, and coupled to said at least one sensing element.

[0016] Advantageously, the present invention provides a sensor film that can be readily associated with a standard surgical instrument, such as an endoscopic instrument, in order to add sensing capability or functionality to the surgical instrument. The sensor film comprises a thin conformal substrate, which allows an existing endoscopic instrument to communicate with sensors at the distal tip of the instrument without modification. The sensor film is dimensioned such that the instrument with the sensor film can be used with the existing trocar intended for the instrument, and without requiring that the sensors and wiring be built into the instrument during manufacture or require the ability to disassemble the tool.

[0017] The signals detected by the sensor film are processed and interpreted, and relayed to the surgeon to provide real-time feedback, and alerts based on predetermined thresholds. More specifically, the standard surgical instrument is retrofitted with the sensor film, thereby foregoing the acquisition costs and maintenance costs associated with specialized sensing surgical instruments. In addition, the sensor films are interchangeable, such that multiple sensors may be associated with any particular instrument, which adds versatility to any instrument. Accordingly, should a sensor film, or sensors, fail then only the sensor film will require replacement, and not the entire instrument, as is common with some of specialized prior art sensing surgical instruments.

BRIEF DESCRIPTION OF THE DRAWINGS

[0018] Several exemplary embodiments of the present invention will now be described, by way of example only, with reference to the appended drawings in which:

- [0019] Figure 1 shows an endoscopic instrument associated with a sensor film;
- [0020] Figures 2a to 2e show various flexible proximal shaft configurations;
- [0021] Figures 3a to 3e show various substrate laminations;
- [0022] Figure 4 shows a cross-section of a distal section of the endoscopic instrument with strain gauges;
- [0023] Figures 5a to 5e show different distal sensor types and configurations;
- [0024] Figures 6a to 6c show various strain gauge configurations;
- [0025] Figure 7 shows positioning of additional sensing elements on the endoscopic instrument;
- [0026] Figure 8a shows a feedback system, in one exemplary implementation; and
- [0027] Figure 8b shows a feedback system, in another exemplary implementation.

DETAILED DESCRIPTION OF EXEMPLARY EMBODIMENTS

[0028] The detailed description of exemplary embodiments of the invention herein makes reference to the accompanying block diagrams and schematic diagrams, which show the exemplary embodiment by way of illustration. While these exemplary embodiments are described in sufficient detail to enable those skilled in the art to practice the invention, it should be understood that other embodiments may be realized and that logical and mechanical changes may be made without departing from the spirit and scope of the invention. Thus, the detailed description herein is presented for purposes of illustration only and not of limitation. For example, the steps recited in any of the method or process descriptions may be executed in any order and are not limited to the order presented.

[0029] Moreover, it should be appreciated that the particular implementations shown and described herein are illustrative of the invention and its best mode and are not intended to otherwise limit the scope of the present invention in any way.

Connecting lines shown in the various figures contained herein are intended to represent exemplary functional relationships and/or physical couplings between the various elements. It should be noted that many alternative or additional functional relationships or physical connections may be present in a practical system.

[0030] Figure 1 shows an exemplary surgical instrument 10, such as an endoscopic instrument for use in minimally invasive surgery, with exemplary sensor film 12. As can be seen, surgical instrument 10 comprises elongate shaft body 14 with proximal end 16 and distal end 18, and end effector assembly 20 at distal end 18 operable by manipulation of actuator mechanism 22 at proximal end 18. Accordingly, actuator mechanism 22 and end effector assembly 20 are interconnected via a push rod or wire (not shown) within elongate shaft body 14. Sensor film 12 comprises substrate 23 with one or more sensing elements 24 coupled to a communication medium 26 extending therefrom for relaying sensed signals to electronics module 28 at proximal end 16 for processing. Generally, sensor film 12 is placed onto elongate shaft body 14, and secured thereto by attachment means, such that sensing elements 24 are disposed adjacent to distal end 18 with end effector 20. Substrate 23 is relatively thin, and is laminated onto the elongate shaft body 14 without any protrusion or flap such that it does not catch on the trocar as the endoscopic instrument 10 translates in or out of the trocar. Additionally, the substrate 23 and sensing elements 18 are dimensioned to fit between the endoscopic instrument 10 and trocar. Communication medium 26 may include, but is not limited to, electrical traces, fiber optics, or any combination thereof. In one exemplary implementation, one or more layers of polyimide with gold, silver, or copper electrical traces is used as or part of the thin conformal substrate 23. Electronics module 28 comprises at least an analog front end for interpreting sensor signals. Additionally, the electronics module 28 may contain, but is not limited to, wired and/or wireless communication interface, power source, power circuitry, battery, battery charging circuit, sensors, logic circuits, microprocessors, or any combination thereof. Additional sensors may include, but are not limited to, accelerometers, gyroscopes,

capacitive touch, temperature, pressure, humidity, wireless antenna, magnetic sensor, tilt sensor, or any combination thereof.

[0031] As shown in Figure 2, thin substrate 23 may also be flexible or semi-flexible to match a flexible or semi-flexible endoscopic instrument 20. In the case of flexible or semi-flexible instruments, thin substrate 21 is preferably composed of materials 28a that exceed the elastic limit of the material or the effective elastic limit of the elongated shaft body 14 of endoscopic instrument 10. The effective elastic limit is used where the geometry or assembly of the elongated shaft body 14 allows it to exceed the elastic limit of its constituent materials such as, but not limited to, hinges 28b, springs 28c, as shown in Figures 2b and 2c, respectively, and spiral cut tubes (not shown). Substrate 23 may also have its effective elastic limit increased to match the endoscopic instrument by modification in geometry such as, but not limited to, folds 28d or cuts 28e in substrate 23, as shown in Figures 2d and 2e, respectively.

[0032] In another exemplary implementation, as shown in Figures 3a to 3c, substrate 31 includes built-in shielding to extraneous noise signals. Preferably the shielding comprises substrate material or lamination able to minimize the effects of radiative, capacitive, inductive, magnetic, or conductive interference to sensor film 12. The shielding may be implemented as the only noise filter, or in addition to shielding on the sensing elements 24, including circuitry associated therewith, and communication medium 26, or analog or digital filtering.

[0033] In one exemplary implementation, as shown in Figure 3a, elongated shaft body 29 of endoscopic instrument 10 comprises longitudinal substrate core 31 with opposing surfaces carrying conductive material and solder mask coated thereon. Substrate core 31 with the masked conductive material is placed on elongated shaft body 29 and secured thereon by adhesive 30. In more detail, substrate core 31, such as polyimide, or any similar material, is sandwiched between upper conductive layer 32a and lower conductive layer 32b. Upper conductive layer 32a acts as a grounded shield, while bottom conductive layer 32b relays sensor signals from sensing elements 24 to

electronics module 28. Upper conductive layer 32a is insulated with a solder mask 33a, while bottom conductive layer 32b is insulated with a solder mask 33b. Preferably, solder mask 33a and solder mask 33b are medical grade. In this configuration the metal elongate shaft body 29 of endoscopic instrument 10 acts as an additional shield. Additionally, an edge stitching 35 or similar, such as, but not limited to, edge metallization or conductive coating, may be used to extend the shielded ground from upper conductive layer 32a around the edge of lower conductive layer 32b which carries the sensed signals, which enhances the shielding protection. The shielding protects the circuit from direct conducted noise and radio frequency noise and also provides some protection to capacitive coupling. Also, there is additional protection from inductive noise if elongate shaft body 29 of endoscopic instrument 10 is composed of a ferromagnetic material such as, but not limited to, martensitic or ferritic grades of stainless steel.

[0034] In another exemplary implementation, as shown in Figure 3b, the upper-side of solder mask 33a is replaced with a low friction, non-conductive material, such as a polymer, fluorinated ethylene propylene (FEP), polyurethane, polytetrafluoroethylene (PTFE), or similar. The low friction, non-conductive material which is adhered to upper conductive layer 32a as a layer via adhesive 30, around the side of the other layers 31, 32b, 33b to the endoscopic instrument 10. The low friction, non-conductive material 36 reduces the sliding resistance of the endoscopic instrument 10 as endoscopic instrument 10 travels within the trocar. In addition, the low friction, non-conductive material 36 improves wear resistance of endoscopic instrument 10, creates a higher resistance to conducted noise, and improves the dielectric strength.

[0035] In another exemplary implementation, as shown in Figure 3c, two layers of polyimide 31a and 31b and three layers of conductive material 32a, 32b, and 32c are included. Upper conductive layer 32b conveying the sensor signals is sandwiched between polyimide layers 31a, 31b, while outer layers of conductive material 32a, 32c are both grounded shields which reduce capacitive coupling. In

another exemplary implementation, looking at Figure 3d, extending from the previous implementation shown in Figure 3c, polyimide 31 comprises conductive layer 32 on one side and a sheet of grounded ferromagnetic metal 37 on the other side, instead of top conductive layer 32a of Figure 3c. Ferromagnetic metal 37 reduces inductive noise protection, and may include, but is not limited to, ferritic grades of stainless steel. If the metal of the elongate shaft body 29 of endoscopic instrument 10 is also ferromagnetic, or if another sheet is placed underneath the signal layer 32 of conductive material, then the circuit is substantially protected from inductive noise.

[0036] In yet another exemplary implementation, the features in the previous exemplary implementations of Figures 3b, 3c and 3d may be combined to aggregate the individual benefits. As an example shown in Figure 3e, low friction, non-conductive material outer layer 36, such as PTFE, may be placed on top of ferromagnetic sheet 37 on top of double-sided polyimide 28 in which top conductive layer 32b relays the sensor signal and the bottom conductive layer 32c is a grounded shield. If the endoscopic instrument shaft 14 is ferromagnetic, then this provides substantial protection against conductive, capacitive, inductive, and radio frequency noise while improving wear resistance and sliding resistance.

[0037] As shown in Figure 4, sensor film 12 comprises substrate 40 with one or more sensing elements 24 secured to elongate shaft body 42 of endoscopic instrument 10. Generally, sensor film 12 is placed onto elongate shaft body 42, and secured thereto by attachment means, such that sensing elements 24 measure the desired property. In one exemplary implementation one or more sensing elements 24 are electrically-based, and include electrical coupling 44 made by, but is not limited to, welding, conductive epoxy, conductive adhesive, spring contacts, crimping, mechanical interlocking, brushes, low temperature solder, or any combination thereof. In addition to functional contact, sensing elements 24 may also be mechanically coupled via mechanical coupling means 46 to protect the functional contacts of sensing elements 24 and/or aid in the assembly thereof.

[0038] In one example, sensing elements 24 are implemented as metal or piezoelectric strain gauges in order to measure forces. As such, strain gauges 24 are configured to output a voltage signal based on a change in resistance when surgical instrument 10 to which they are attached to undergoes tension or compression. The one or more strain gauges 24 are mechanically coupled to the structural shaft 42 of the endoscopic instrument 10. The coupling of the strain gauges 24 is preferably accomplished with as thin an adhesive 48 as possible, with a hardness between that of the strain gauge 24 material and the shaft body 42 material. Adhesive 48 may be, but is not limited to, cyanoacrylate, epoxy, or acrylic. Additionally, the one or more strain gauges 24 may be welded to the structural shaft body 42 without or in addition to adhesive using, but not limited to, ultrasonic welding, solvent welding, melting, or some combination thereof. Also, the strain gauge 24 may comprise more than one strain gauge pattern in each gauge. For example, in one exemplary implementation, a second strain gauge pattern is placed perpendicular to the first strain gauge pattern to provide thermal compensation.

[0039] Figures 5a to 5e show different distal sensor types and configurations in which endoscopic instrument 10 comprises one or more sensing elements 54 on elongate shaft 50 and/or on end effector 52. Sensing elements 54 include, but are not limited to, strain gauges, radio frequency antennas, accelerometers, gyroscopes, magnetometers, piezoelectric, ultrasonic, capacitive, Bragg diffraction grating, thermometer, light sensor, or any array, part of a larger system, hybrid, application of or combination thereof such as, but not limited to, galvanic sensing, impedance spectroscopy, image sensing, photoplethysmogram (PPG), blood flow, pulse transit time (PTT), ballistocardiogram (BCG), electromyography (EMG), electrocardiography (ECG or EKG), electroencephalogram (EEG).

[0040] In another exemplary implementation, one or more strain gauges 62 are placed in a plurality of configurations, as shown in Figures 6a to 6c. For example, in Figure 6a, strain gauges 62a, 62b and 62c are placed parallel to shaft 60 of

instruments 10, and on opposite sides of shaft 60. This configuration allows the differentiation of one direction of bending and extension/compression which makes it useful for endoscopic instruments 10 that are intended to operate in a single bending direction such as, but not limited to, retractors and endoscopic instruments that are intended to operate in pure extension/compression such as, but not limited to, biopsy tools and neurosurgical tools.

[0041] In another exemplary implementation, two strain gauges 63a, 63b are placed parallel to shaft 60 of instrument 10 and equally spaced from each other, as shown in Figure 6b. The equal spacing of the strain gauges 63a, 63b is preferred but other configurations are operable but will not provide overall optimal resolution of the two bending moments and compression and/or extension. This configuration allows the differentiation of both bending directions and extension/compression which makes it useful in surgical instruments 10 such as, but not limited to, graspers and needle drivers. In another exemplary implementation, as shown in Figure 6c, strain gauge 64a with a pattern aligned roughly at 45 degrees to the endoscopic instrument shaft 60 is used to determine the torque on endoscopic instrument shaft 60 with additional strain gauge patterns 64b, 64c helping to determine bending moments, including compression and extension.

[0042] In situations where direct contact is required with the tissue, the one or more sensing elements 62a, 62b, 62c, 63a, 63b, 64a, 64b, and 64c may be, but are not limited to, being located beside, located through, or integrated into the end effector 66 or on the outside of the thin substrate 23 where the endoscopic instrument 10 may or may not be modified to accommodate the one or more sensing elements 62a, 62b, 62c, 63a, 63b, 64a, 64b, and 64c.

[0043] In another exemplary implementation, electrodes are placed on endoscopic instrument shaft 60, integrated in end effector 66, or both. These electrodes can be used for, but are not limited to, impedance spectroscopy, EMG, ECG, EEG, electrical stimulation, or any combination thereof. In one application, a combination of

two or more of impedance spectroscopy, EMG, and electrical stimulation can be used to assess and monitor muscle viability.

[0044] As shown in Figure 7, in addition to sensing elements 70 placed at the distal tip 72, one or more sensing elements 74 may be placed at any part of the mechanism which controls end effector 76 such as, but not limited to, pull rods or cables. Preferably, sensing elements 74 are placed at locations on endoscopic instrument 10 where no modification of the endoscopic instrument 10 is required.

[0045] In one exemplary implementation, one or more strain gauges at the distal portion of the endoscopic instrument 10 is augmented by an accelerometer, gyroscope, tilt sensor, or any combination in order to give both position and force information. In another exemplary implementation where an energy storage device is used, any energy storage device that can be manufactured to a small size and high energy density can be used and may include, but is not limited to, silver oxide, lithium, aluminum ion, zinc, thin film, supercapacitors, or any combination thereof.

[0046] In another exemplary implementation, one or more temperature sensors in the electronics module are used to compensate for thermal effects on the sensitive analog components. In another exemplary implementation, the electronics can be selected to be able to withstand steam sterilization known as autoclaving by selecting electrical components that are rated to exceed the typical temperature of autoclaving, which is 121 °C, such as, but not limited to, automotive rated components and lithium poly-carbon monofluoride batteries and by protecting the components from direct exposure to steam by, but not limiting to, plating, coating, potting, enclosing in a sealed case, or any combination thereof. As an alternative to the previously mentioned implementation where steam sterilization known as autoclaving is used, the battery and/or electronics can be made removable so that the removable parts do not need to be selected to survive autoclaving.

[0047] In one exemplary implementation, sensor readings are relayed to the surgeon to provide visual, tactile, or auditory feedback. In an instance where the

feedback is visual, the information can be displayed by, but not limited to, overlaying the information on an endoscope monitor, having a separate device to display the information, or having a software application to display the information on an existing device such as, but not limited to, a phone, tablet, laptop, computer, or display monitor.

[0048] Figure 8a shows a surgical feedback system which provides feedback to a user 80, such as a surgeon 80, or other medical professional, during a surgical operation on a body 81. Readings from sensors 82 associated with sensor film 84 conformally adhered to endoscopic instrument 86, are relayed to electronics module 88 via at least one of an electrical, infrared, optical, or radio connection. In one exemplary implementation, electronics module 88 uses radio communication and is powered by a power supply, such as a battery, such that there are no physical connections or line-of-sight issue constraining the movements of user 80 during surgery.

[0049] Electronics module 88 measures the sensor readings and transmits the data to feedback device 90 where user 80 receives the feedback and can modify their operation of the endoscopic instrument 86 accordingly. In one exemplary implementation, electronics module 88 communicates the feedback data, via radio transmission, to feedback device 90, such as a mobile device comprising, but not limited to, a smartphone, tablet, or laptop. The wireless communication to mobile device 90 allows medical trainees to quickly setup a feedback system and allows them to keep the gather data for later learning and analysis. Alternatively, electronics module 88 communicates the feedback data via a wired or wireless connection to a display monitor 92.

[0050] In another exemplary implementation, as shown in Figure 8b, endoscope video imaging device 94 captures images pertaining to the surgical operation, and electronics module 88 communicates the sensed data, via radio transmission, to video overlay unit 96, such that the sensor information is overlaid over the video images from endoscope video unit 98, for display on monitor 92 in real time. This allows experienced surgeons 80 receive visual feedback from one or more

sensors 82 on their endoscopic instrument 86 through the monitor 92 which they would be looking at view the video images from endoscope video unit 98.

[0051] In another exemplary implementation, the sensorized instruments may, but are not required to, operate with other sensorized instruments or sensors. The sensorized instruments or sensors may or may not have different sensors, sensor arrangements, number of sensors, or combination thereof. These sensorized instruments and/or sensors may, or may not, coordinate. Coordination can include, but is not limited to, sharing sensor data, synchronizing time, synchronizing events, requesting device operation changes, requesting data, requesting sensor readings be taken, or any combination thereof. These sensorized devices or sensors can be networked in any way or configuration. Networking can include, but is not limited to, planning instrument operation to not interfere with one another such that coordination between the devices is minimized, coordinating between sensorized instruments or sensors, coordinating with a central hub, or any combination thereof. Accordingly, two endoscopic needle drivers are used with the sensor-film communicates with strain gauges at the tips of the instruments. This configuration allows a complete assessment of the magnitude of the forces experienced in suture tying. These endoscopic needle drivers may, but are required to, have accelerometers and/or gyroscopes in their electronics modules in order to additionally capture the relative motion of suture tying.

[0052] In another exemplary implementation, one endoscopic instrument with a sensor-film communicates with an optical system at the tip of the instrument such as, but not limited to, PPG and an endoscope are used. The endoscope and sensorized instrument coordinate by momentarily turning the light of the endoscope off so that the optical system can perform its reading in darkness. This momentary turning off of endoscopic light can be done quickly enough such that the human eye does not notice and this can be done consistently to provide effectively simultaneous continuous reading in darkness and illumination for endoscopic viewing.

[0053] In another exemplary implementation, an endoscopic instrument with a sensor-film communicates with an electrically-based sensor and another endoscopic instrument utilizing electrical or radio-frequency energy such as, but not limited to, electrocautery, radio frequency ablation, or electrical stimulation are coordinated such that the electrical sensor is not reading and/or the electronics module is not connected while the electrical or radio-frequency energy tool is in operation. This coordination helps to ensure accurate sensor reading and protects the electronics module from damage.

[0054] In another exemplary implementation, PPG or BCG is used as the sensor and is integrated with the end effector. Most importantly, this allows the surgeon to assess local blood oxygenation during surgery in addition to other metrics. This system can, but does not have to, be combined with another PPG, BCG, or ECG equipped endoscopic instrument or external PPG, BCG, ECG, or other heart monitor to be used as part of PTT in order to assess blood pressure during surgery and/or in real time.

[0055] In another exemplary implementation, up to four strain gauges are placed at the distal portion of the endoscopic instrument at different points and direction such that they can capture all forces and torques experienced by the tip of the instrument which consists of two bending moments, torque, and compression or extension. The mechanical coupling to the endoscopic instrument is accomplished by epoxy. These strain gauges are then attached to a polyimide substrate with gold-plated copper electrical traces by conductive adhesive. The thin substrate finally attaches to an electronics module which comprises an analog front end, temperature sensor, Bluetooth transceiver, and battery. This allows the surgeon to see all of the forces experienced at the tip of the endoscopic instrument and record his motions in unison without any wires inhibiting the procedure. The readings from the temperature sensor are used to temperature compensate the readings from the analog front end for additional accuracy.

This exemplary implementation makes no modification of the original endoscopic instrument and is completely wireless during surgery.

[0056] In another exemplary implementation in which the instrument undergoes steam sterilization known as autoclaving, the battery is a lithium polycarbonmonofluoride battery, the components are all rated to above 121°C, the electronics module is a sealed case, and the electronics components are conformably coated, gold plated, and/or sealed. This allows the instrument to be sterilized without disassembling the device and prevents humidity-related inaccuracy and degradation of the analog front end but still allows access to the electronics for calibration and easy battery replacement.

[0057] In another exemplary implementation in which the endoscopic instrument has an end effector that requires one or more mechanical actuation rods or cables, additional strain gauges may be placed on the exposed proximal section of the pull rods or cables. The one or more additional strain gauges can be used to capture actuation forces as well as differentiate pull rod or cable forces from compression/extension caused by external forces.

[0058] While these exemplary implementations are described in sufficient detail to enable those skilled in the art to practice the invention, it should be understood that other exemplary implementations may be realized and that logical and mechanical changes may be made without departing from the spirit and scope of the invention. The preceding detailed description is presented for purposes of illustration only and not of limitation, and the scope of the invention is defined by the preceding description, and with respect to the attached claims.

CLAIMS:

1. An endoscopic instrument for use with a trocar, said endoscopic instrument comprising:
 - an elongate shaft body having a proximal end and a distal end;
 - an end effector assembly at said distal end operable by manipulation of actuator mechanism at said proximal end;
 - a substrate core having a first surface and a second surface, and wherein said substrate is conformally attached to said elongated shaft body;
 - at least one sensing element on said elongate shaft body, said at least one sensing element located adjacent to said distal end;
 - an electronics module for receiving sensed signals from said at least one sensing element, said electronics module located adjacent to said proximal end;
 - a first conductive layer residing on said first surface, said first conductive layer having a first solder mask coated thereon; and
 - a second conductive layer residing on said second surface, second conductive layer having a second solder mask coated thereon, and wherein said second conductive layer coupled to said at least one sensing element relays said sensed signals from said at least one sensing element to said electronics module and said a first conductive layer is grounded.

2. The endoscopic instrument of claim 1, wherein said first solder mask is replaced with a low friction, non-conductive layer, and said low friction, non-conductive layer is adhered to first conductive layer via an adhesive to surround edges of said substrate core, second conductive layer and second solder mask.

3. The endoscopic instrument of claim 1, wherein said substrate core comprises an upper portion and a lower portion separated by an intermediate conductive layer.

4. The endoscopic instrument of claim 3, wherein said intermediate conductive layer relays said sensed signal, and said first conductive layer and second conductive layer are grounded.

5. The endoscopic instrument of claim 1, wherein said substrate core comprises a sheet of grounded ferromagnetic metal instead of said first conductive layer.

6. The endoscopic instrument of claim 4, wherein said substrate core comprises a sheet of grounded ferromagnetic metal instead of said first conductive layer;

wherein said first solder mask is replaced with low friction, non-conductive layer, and said low friction, non-conductive layer is adhered to sheet of grounded ferromagnetic metal via an adhesive and around edges of said substrate core, intermediate conductive layer, second conductive layer and second solder mask; and

wherein said intermediate conductive layer relays said sensor signal and said second conductive layer is a grounded shield.

7. An endoscopic instrument for use with a trocar, said endoscopic instrument comprising:

an elongate shaft body having a proximal end and a distal end;

an end effector assembly at said distal end operable by manipulation of actuator mechanism at said proximal end;

a substrate core having a first surface and a second surface; and wherein said substrate core is conformally attached to said elongated shaft body;

at least one sensing element on said elongate shaft body, said at least one sensing element located adjacent to said distal end;

an electronics module for receiving sensed signals from said at least one sensing element, said electronics module located adjacent to said proximal end;

a first conductive layer residing on said first surface, said first

conductive layer having a low friction, non-conductive layer thereon;

a second conductive layer residing on said second surface, second conductive layer having a solder mask coated thereon, and wherein said second conductive layer coupled to said at least one sensing element relays said sensed signals from said at least one sensing element to said electronics module and said a first conductive layer is grounded; and

said low friction, non-conductive layer is adhered to first conductive layer via an adhesive to surround edges of said substrate core, second conductive layer and solder mask.

8. An endoscopic instrument for use with a trocar, said endoscopic instrument comprising:

an elongate shaft body having a proximal end and a distal end;

an end effector assembly at said distal end operable by manipulation of actuator mechanism at said proximal end;

at least one sensing element on said elongate shaft body, said at least one sensing element located adjacent to said distal end;

an electronics module for receiving sensed signals from said at least one sensing element, said electronics module located adjacent to said proximal end;

an upper substrate core;

a lower substrate core; and wherein said upper substrate core and lower substrate core are conformally attached to said elongated shaft body;

an intermediate conductive layer between said upper substrate core and said lower substrate core;

a first conductive layer residing on said upper substrate core, and said first conductive layer having a first solder mask coated thereon;

a second conductive layer residing below said second conductive layer, and having a second solder mask coated thereon; and

wherein said intermediate conductive layer relays said sensed signals, and said first conductive layer and second conductive layer are grounded.

9. An endoscopic instrument for use with a trocar, said endoscopic instrument comprising:

- an elongate shaft body having a proximal end and a distal end;
- an end effector assembly at said distal end operable by manipulation of actuator mechanism at said proximal end;
- a substrate core having a first surface and a second surface; and wherein said substrate core is conformally attached to said elongated shaft body;
- at least one sensing element on said elongate shaft body, said at least one sensing element located adjacent to said distal end;
- an electronics module for receiving sensed signals from said at least one sensing element, said electronics module located adjacent to said proximal end;
- a sheet of grounded ferromagnetic metal residing on said first surface, said a sheet of grounded ferromagnetic metal; and
- a conductive layer residing on said second surface, second conductive layer having a solder mask coated thereon, and wherein said second conductive layer is coupled to said at least one sensing element to relay said sensed signals from said at least one sensing element to said electronics module.

10. An endoscopic instrument for use with a trocar, said endoscopic instrument comprising:

- an elongate shaft body having a proximal end and a distal end;
- an end effector assembly at said distal end operable by manipulation of actuator mechanism at said proximal end;
- at least one sensing element on said elongate shaft body, said at least one sensing element located adjacent to said distal end;

an electronics module for receiving sensed signals from said at least one sensing element, said electronics module located adjacent to said proximal end;

an upper substrate core;

a lower substrate core; and wherein said upper substrate core and lower substrate core are conformally attached to said elongated shaft body;

an intermediate conductive layer between said upper substrate core and said lower substrate core;

a sheet of grounded ferromagnetic metal residing on said upper substrate core, and said sheet of grounded ferromagnetic metal first conductive layer having a low friction, non-conductive layer;

a second conductive layer residing below said second conductive layer, and having a second solder mask coated thereon; and

wherein said low friction, non-conductive layer is adhered to said sheet of grounded ferromagnetic metal via an adhesive and around edges of said upper substrate core, a lower substrate core, intermediate conductive layer, second conductive layer and second solder mask; and

wherein said intermediate conductive layer relays said sensed signals, and said sheet of grounded ferromagnetic metal and second conductive layer are grounded.

11. The endoscopic instrument according to any of claims 1 to 10, wherein said an elongate shaft body is flexible.

12. The endoscopic instrument according to any of claims 1 to 10, wherein said an elongate shaft body is semi-flexible.

13. The endoscopic instrument of claim 11, wherein said substrate core is flexible.

14. The endoscopic instrument of claim 11, wherein said substrate core is semi-flexible.
15. The endoscopic instrument according to any of claims 11 and 12, wherein said substrate core is flexible or semi-flexible to match said flexible or semi-flexible elongate shaft body.
16. The endoscopic instrument of claim 15, wherein said substrate core is composed of materials that exceed the effective elastic limit of the elongated shaft body.
17. The endoscopic instrument of claim 16, wherein said materials comprises at least one of hinges, springs, spiral cut tubes.
18. The endoscopic instrument of claim 15, wherein said substrate core comprises at least one of folds and cuts in order for said substrate core to exceed the effective elastic limit of said flexible or semi-flexible elongated shaft body.
19. The endoscopic instrument according to any of claims 1 to 18, wherein said at least one sensing element is placed on said end effector assembly.
20. The endoscopic instrument according to any of claims 1 to 18, wherein said at least one sensing element is placed on said manipulation mechanism.
21. The endoscopic instrument according to any of claims 1 to 20, wherein said at least one sensing element is placed on pull rods and/or cables associated with said manipulation mechanism.

22. The endoscopic instrument of claim 21, wherein said at least one sensing element comprises at least one strain gauge.
23. The endoscopic instrument of claim 21, wherein said at least one sensing element comprises at least one strain gauge array.
24. The endoscopic instrument of claim 21, wherein said at least one sensing element comprises at least one light sensor.
25. The endoscopic instrument of claim 21, wherein said at least one sensing element comprises at least one light sensor array.
26. The endoscopic instrument of claim 21, wherein said at least one sensing element comprises at least one of a radio frequency antenna, accelerometer, gyroscope, magnetometers, piezoelectric sensor, ultrasonic sensor, capacitive sensor, Bragg diffraction grating, thermometer, or any array thereof, or a combination thereof.
27. The endoscopic instrument of claim 27, wherein said at least one sensing element is associated with at least one of galvanic sensing, impedance spectroscopy, image sensing, photoplethysmogram (PPG), blood flow, pulse transit time (PTT), ballistocardiogram (BCG), electromyography (EMG), electrocardiography (ECG or EKG), electroencephalogram (EEG).
28. The endoscopic instrument of claim 27, wherein said conductive layers comprise at least one of gold, silver, or copper electrical traces, and fiber optic transmission medium.

29. The endoscopic instrument of claim 28, wherein said electronic module comprises at least one of an analog front end, a temperature sensor, a wireless transceiver, and a battery.

30. The endoscopic instrument of claim 29, wherein said temperature sensor temperature compensates readings of said said sensed signals from said analog front end for additional accuracy.

31. The endoscopic instrument of claim 30, wherein said electronics module comprises at least one of a wired communication interface, wireless communication interface, power source, power circuitry, battery, battery charging circuit, sensors, logic circuits, microprocessors, or any combination thereof.

32. The endoscopic instrument of claim 31, wherein said electronic module process said sensed signals and outputs feedback data to a user.

33. The endoscopic instrument of claim 32, wherein said feedback data is at least one of visual, auditory, tactile, and any combination thereof.

34. The endoscopic instrument according to any of claims 1 to 33, wherein said at least one sensing element is secured on said elongate shaft body by an adhesive.

35. The endoscopic instrument according to any of claims 1 to 33, wherein said at least one sensing element is secured on said elongate shaft body by at least one of ultrasonic welding, solvent welding, melting, or any combination thereof.

36. The endoscopic instrument according to any of claims 34 to 35, wherein a plurality of said at least one sensing elements are located on said endoscopic instrument in various configurations.

37. The endoscopic instrument of claim 36, wherein said one endoscopic instrument communicates with another endoscopic instrument.

38. The endoscopic instrument of claim 36, wherein said low friction, non-conductive layer comprises at least one of a polymer, fluorinated ethylene propylene (FEP), polyurethane, and polytetrafluoroethylene (PTFE).

39. The endoscopic instrument of claim 36, wherein said one endoscopic instrument communicates with another endoscopic instrument within a network via said at least one of a wired communication interface and wireless communication interface.

40. The endoscopic instrument of claim 36, wherein said at least one sensing element communicates with another said at least one sensing element within a network via said at least one of a wired communication interface and wireless communication interface.

41. The endoscopic instrument according to any of claims 37 to 40, wherein said one endoscopic instrument and said another endoscopic instrument within a network coordinate with one another by at least one of sharing sensor data, synchronizing time, synchronizing events, requesting device operation changes, requesting data, requesting sensor reading be taken, or any combination thereof.

42. The endoscopic instrument according to any of claims 37 to 40, wherein said at least one sensing element and said another said at least one sensing element within a

network coordinate with one another by at least one of sharing sensor data, synchronizing time, synchronizing events, requesting device operation changes, requesting data, requesting sensor readings be taken, or any combination thereof.

43. The endoscopic instrument of according to any of claims 32 and 33, wherein said feedback data is transmitted by said electronic module via at least one of a wired connection and a wireless connection for output to said user.

44. The endoscopic instrument of claim 43, wherein when said feedback data is visual, information having said feedback data is displayed on a display.

45. The endoscopic instrument of claim 43, wherein when said feedback data is visual, information having said feedback data is overlaid over a video on a display, said video pertaining to a surgical procedure associated with said endoscopic instrument, and said video acquired via an endoscope video unit.

46. The endoscopic instrument according to any of claims 44 to 45, wherein said display is at least one of an endoscope monitor, a mobile device display, and a display monitor.

47. A method for sensing at least one property associated with an end effector of an endoscopic instrument during a surgical procedure, wherein said endoscopic instrument is used via a trocar, said endoscopic instrument comprising an elongate shaft body having a proximal end and a distal end, and an end effector assembly at said distal end operable by manipulation of actuator mechanism at said proximal end; said method comprising the steps of:

securing a sensor film conformally to said elongate shaft body, said sensor film comprising:

a substrate core having a first surface and a second surface;
at least one sensing element located adjacent to said distal end;
a first conductive layer residing on said first surface, said first conductive layer having first solder mask coated thereon, and wherein said first conductive layer is grounded;
a second conductive layer residing on said second surface, second conductive layer having a second solder mask coated thereon, and coupled to said at least one sensing element;
causing said at least one sensing element to measure at least one property and output a sensed signal and to convey said sensed signal via said second conductive layer to an electronics module;
at said an electronics module, receiving said sensed signal and processing said sensed signal to determine said property.

48. The method of claim 47, wherein said first solder mask is replaced with a low friction, non-conductive layer, and said low friction, non-conductive layer is adhered to first conductive layer via an adhesive to surround edges of said substrate core, second conductive layer and second solder mask.

49. The method of claim 47, wherein said substrate core comprises an upper portion and a lower portion separated by an intermediate conductive layer.

50. The method of claim 49, wherein said intermediate conductive layer relays said sensed signal, and said first conductive layer and second conductive layer are grounded.

51. The method of claim 47, wherein said substrate core comprises a sheet of grounded ferromagnetic metal instead of said first conductive layer.

52. The method of claim 50, wherein said substrate core comprises a sheet of grounded ferromagnetic metal instead of said first conductive layer;

wherein said first solder mask is replaced with a low friction, non-conductive layer, and said low friction, non-conductive layer is adhered to sheet of grounded ferromagnetic metal via an adhesive and around edges of said substrate core, intermediate conductive layer, second conductive layer and second solder mask; and

wherein said intermediate conductive layer relays said sensor signal and said second conductive layer is a grounded shield.

53. The method of according to any of claims 47 to 52, wherein said electronic module comprises at least one of an analog front end, a temperature sensor, a wireless transceiver, and a battery.

54. The method of claim 53, wherein said electronic module processes said sensed signals and outputs feedback data to a user.

55. The method of claim 54, wherein said feedback data is at least one of visual, auditory, tactile, and any combination thereof.

56. The method of claim 55, wherein when said feedback data is visual, information having said feedback data is displayed on a display.

57. The method of claim 56, wherein when said feedback data is visual, information having said feedback data is overlaid over a video on a display, said video pertaining to a surgical procedure associated with said endoscopic instrument, and said video acquired via an endoscope video unit.

58. The method of according to any of claims 56 to 57, wherein said display is at least one of an endoscopic monitor, a mobile device display, and a display monitor.
59. The method of claim 54, wherein said sensed signals are transmitted wirelessly from said at least one sensing element to said electronic module.
60. The method of claim 54, wherein said endoscopic instrument communicates with another endoscopic instrument via a wired or a wireless connection.
61. The method of according to any of claims 47 to 60, wherein said at least one sensing element comprises at least one strain gauge.
62. The method of according to any of claims 47 to 60, wherein said at least one sensing element comprises at least one strain gauge array.
63. The method of according to any of claims 47 to 60, wherein said at least one sensing element comprises at least one light sensor.
64. The method of according to any of claims 47 to 60, wherein said at least one sensing element comprises at least one light sensor array.
65. The method of according to any of claims 47 to 60, wherein said at least one sensing element comprises at least one of a radio frequency antenna, accelerometer, gyroscope, magnetometers, piezoelectric sensor, ultrasonic sensor, capacitive sensor, Bragg's diffraction grating, thermometer, or any array thereof, or a combination thereof.
66. The method of according to any of claims 47 to 60, wherein said at least one sensing element is associated with at least one of galvanic sensing, impedance

spectroscopy, image sensing, photoplethysmogram (PPG), blood flow, pulse transit time (PTT), ballistocardiogram (BCG), electromyography (EMG), electrocardiography (ECG or EKG), electroencephalogram (EEG).

67. The method of according to any of claims 47 to 60 wherein said at least one sensing element comprises at least one of a strain gauge, radio frequency antenna, accelerometer, gyroscope, magnetometers, piezoelectric sensor, ultrasonic sensor, capacitive sensor, Braggs diffraction grating, thermometer, light sensor, or any array thereof, or a combination thereof.

68. The method of according to any of claims 47 to 60, wherein said at least one sensing element is associated with at least one of galvanic sensing, impedance spectroscopy, image sensing, photoplethysmogram (PPG), blood flow, pulse transit time (PTT), ballistocardiogram (BCG), electromyography (EMG), electrocardiography (ECG or EKG), electroencephalogram (EEG).

69. The method according to any of claims 48 and 52, wherein said low friction, non-conductive layer comprises at least one of a polymer, fluorinated ethylene propylene (FEP), polyurethane, polytetrafluoroethylene (PTFE)

70. A sensor film comprising:

- a substrate core having a first surface and a second surface;
- at least one sensing element for sensing at least one property;
- a first conductive layer residing on said first surface, said first conductive layer having first solder mask coated thereon, and wherein said first conductive layer is grounded; and

a second conductive layer residing on said second surface, second conductive layer having a second solder mask coated thereon, and coupled to said at least one sensing element.

71. The sensor film of claim 70, wherein said first solder mask is replaced with a low friction, non-conductive layer, and said low friction, non-conductive layer is adhered to first conductive layer via an adhesive to surround edges of said substrate core, second conductive layer and second solder mask.

72. The sensor film of claim 71, wherein said substrate core comprises an upper portion and a lower portion separated by an intermediate conductive layer.

73. The sensor film of claim 72, wherein said intermediate conductive layer relays said sensed signal, and said first conductive layer and second conductive layer are grounded.

74. The sensor film of claim 70, wherein said substrate core comprises a sheet of grounded ferromagnetic metal instead of said first conductive layer.

75. The sensor film of claim 73, wherein said substrate core comprises a sheet of grounded ferromagnetic metal instead of said first conductive layer;

wherein said first solder mask is replaced with a low friction, non-conductive layer, and said low friction, non-conductive layer is adhered to sheet of grounded ferromagnetic metal via an adhesive and around edges of said substrate core, intermediate conductive layer, second conductive layer and second solder mask; and

wherein said intermediate conductive layer relays said sensor signal and said second conductive layer is a grounded shield.

76. The sensor film according to any of claims 71 and 75, wherein said low friction, non-conductive layer comprises at least one of a polymer, fluorinated ethylene propylene (FEP), polyurethane, polytetrafluoroethylene (PTFE)
77. The sensor film according to any of claims 70 to 76, wherein said substrate core is conformally attached to an elongated shaft body of an endoscopic instrument.
78. The sensor film according to any of claims 70 to 76, wherein said sensor film is conformally attached to an elongated shaft body of an endoscopic instrument with an end effector.
79. The sensor film according to any of claims 68 to 75, wherein said at least one sensing element senses at least one property associated during a surgical procedure.
80. The sensor film of claim 80, wherein said at least one sensing element is a strain gauge.
81. The sensor film of claim 80, wherein said at least one sensing element is an array of strain gauges.
82. The sensor film of claim 80, wherein said at least one sensing element is a light sensor.
83. The sensor film of claim 80, wherein said at least one sensing element is an array of light sensors.
84. The sensor film of claim 80, wherein said at least one sensing element is at least one of a radio frequency antenna, accelerometer, gyroscope, magnetometers,

piezoelectric sensor, ultrasonic sensor, capacitive sensor, Braggs diffraction grating, thermometer, light sensor, or any array thereof, or a combination thereof.

85. The sensor film of claim 80, wherein said at least one sensing element is associated with at least one of galvanic sensing, impedance spectroscopy, image sensing, photoplethysmogram (PPG), blood flow, pulse transit time (PTT), ballistocardiogram (BCG), electromyography (EMG), electrocardiography (ECG or EKG), electroencephalogram (EEG).

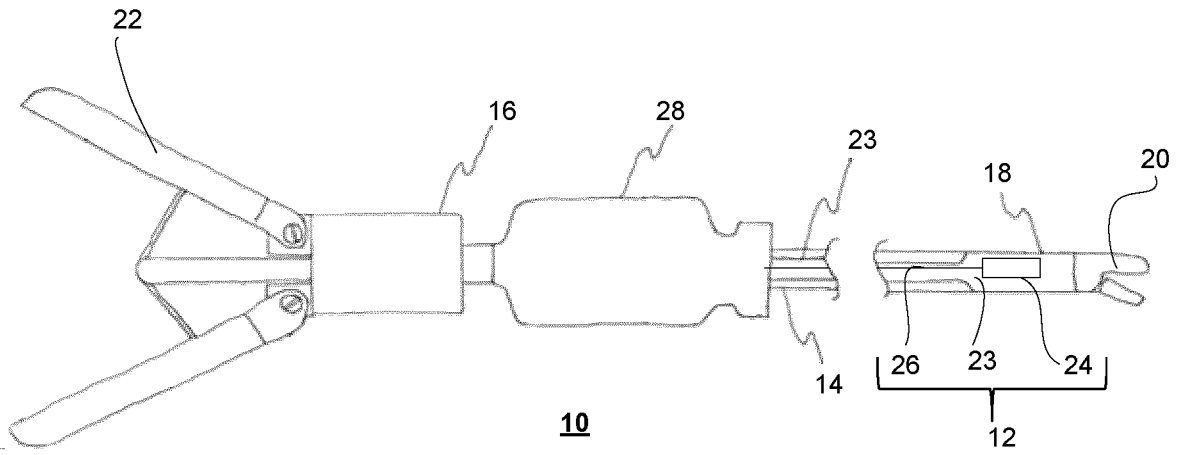


Figure 1

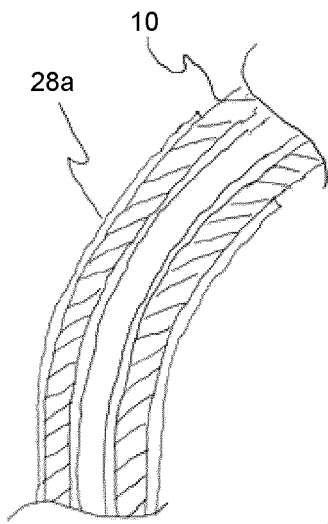


Figure 2a

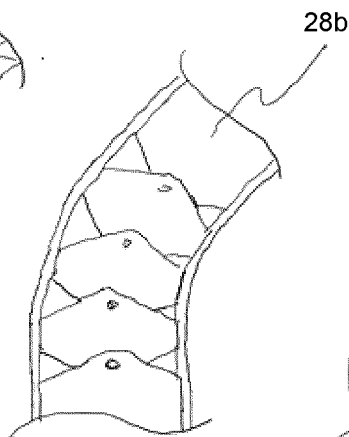


Figure 2b

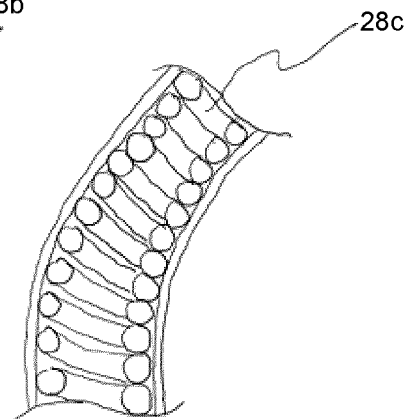


Figure 2c

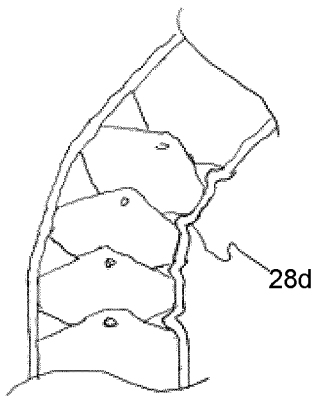


Figure 2d

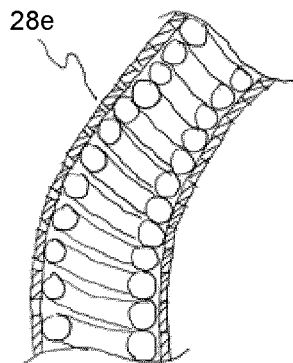


Figure 2e

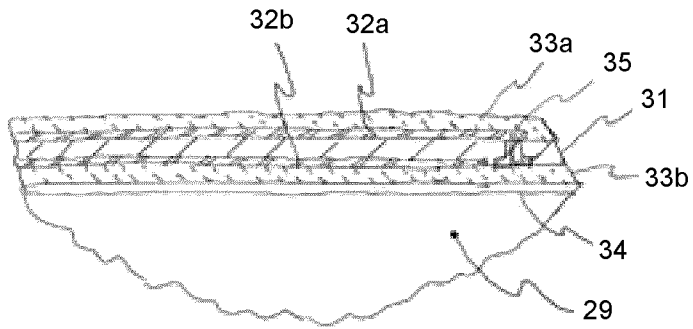


Figure 3a

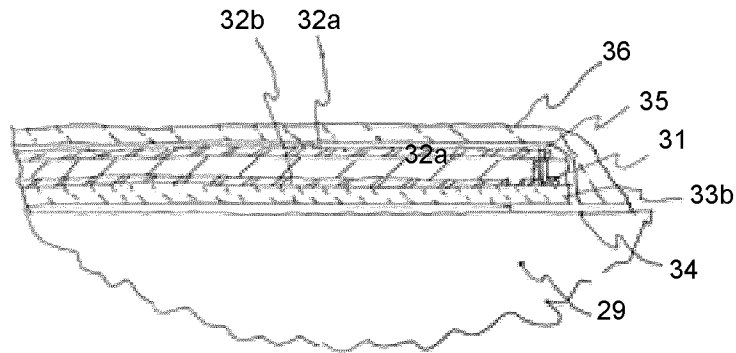


Figure 3b

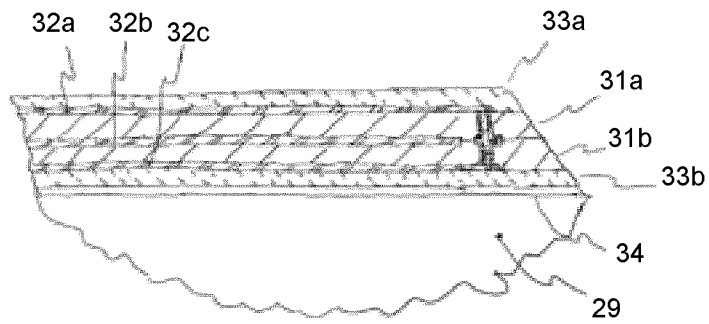


Figure 3c

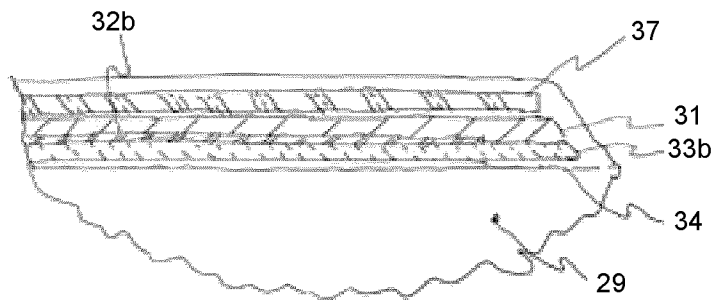


Figure 3d

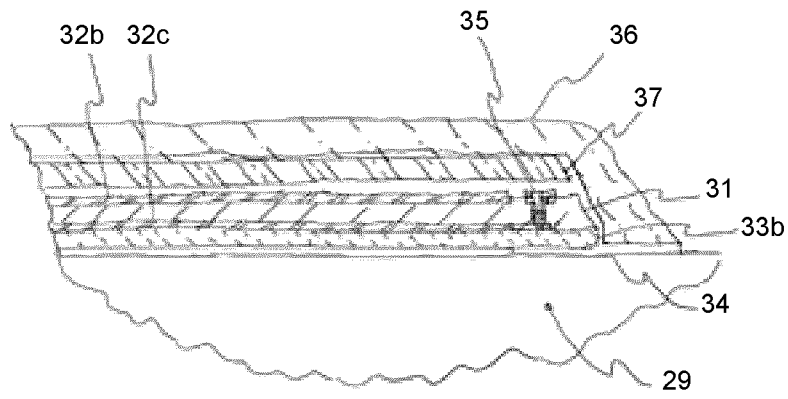


Figure 3e

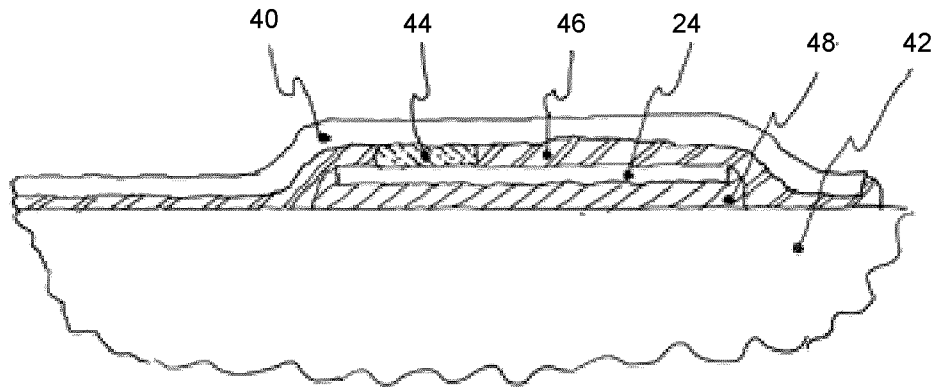


Figure 4

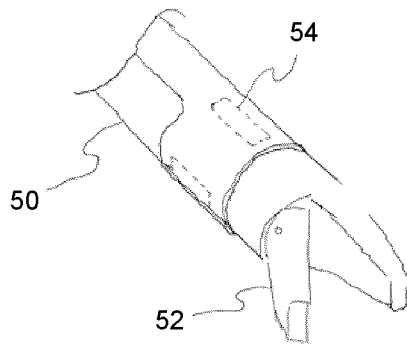


Figure 5a

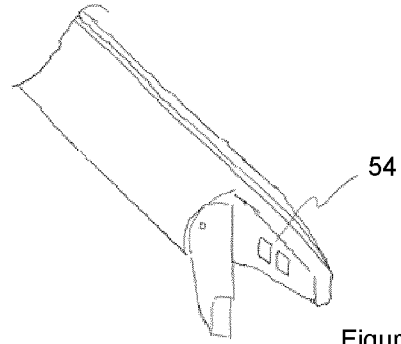


Figure 5b

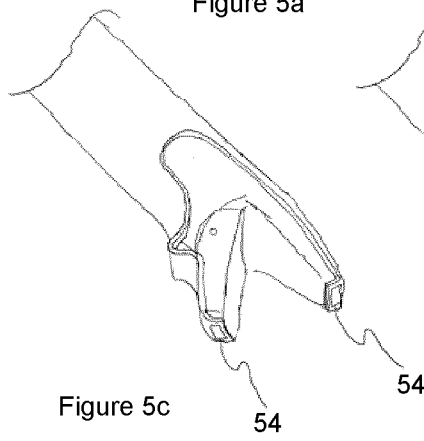


Figure 5c

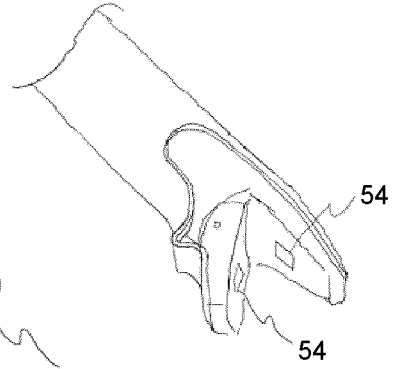


Figure 5d

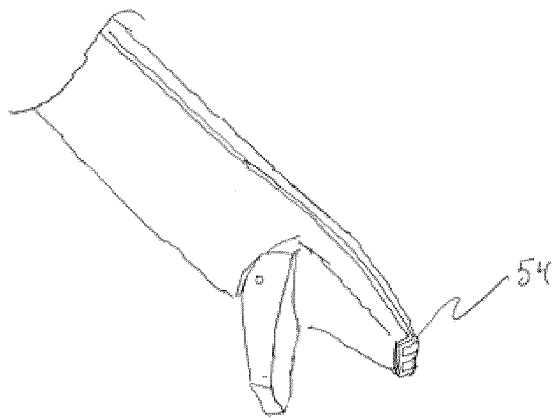
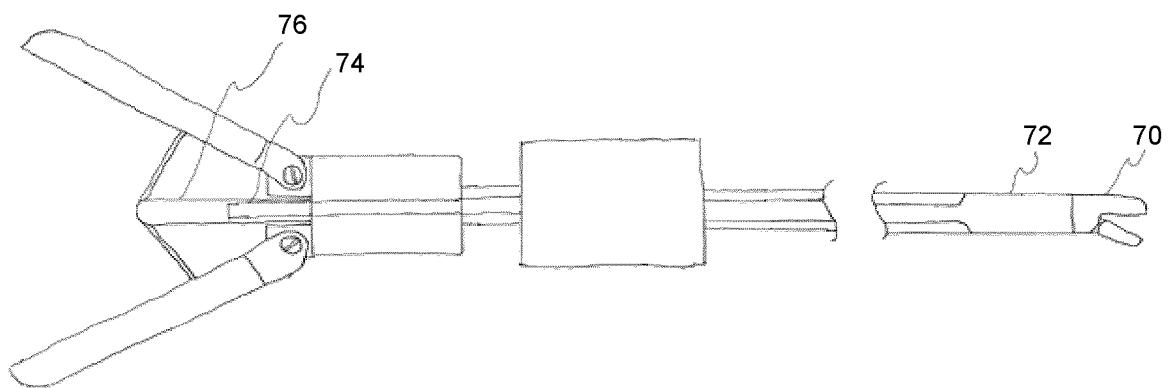
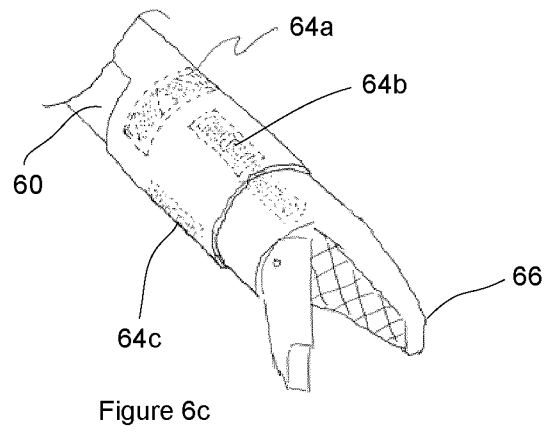
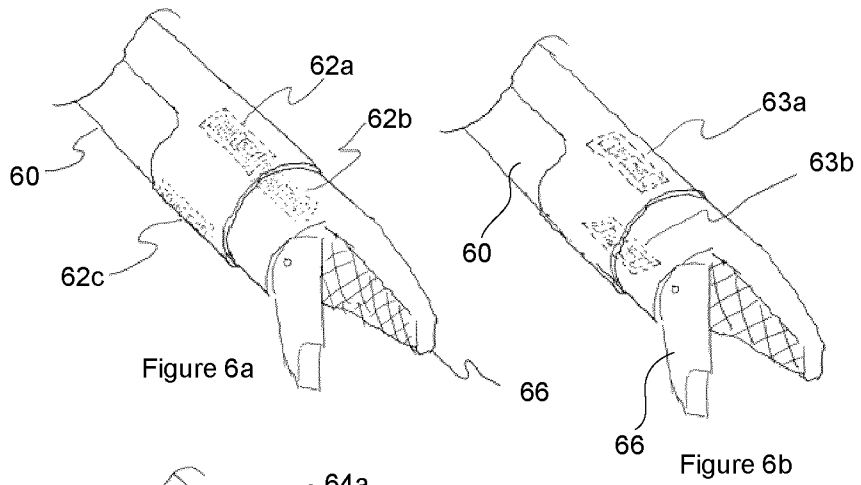


Figure 5e



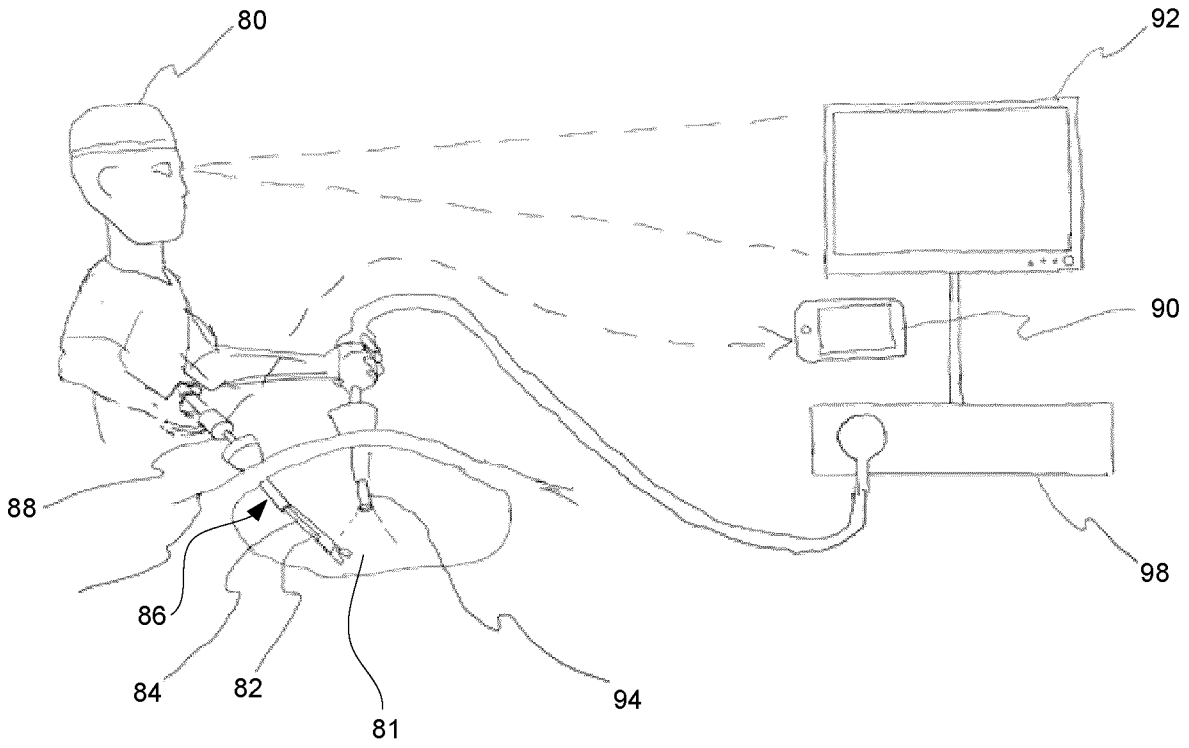


Figure 8a

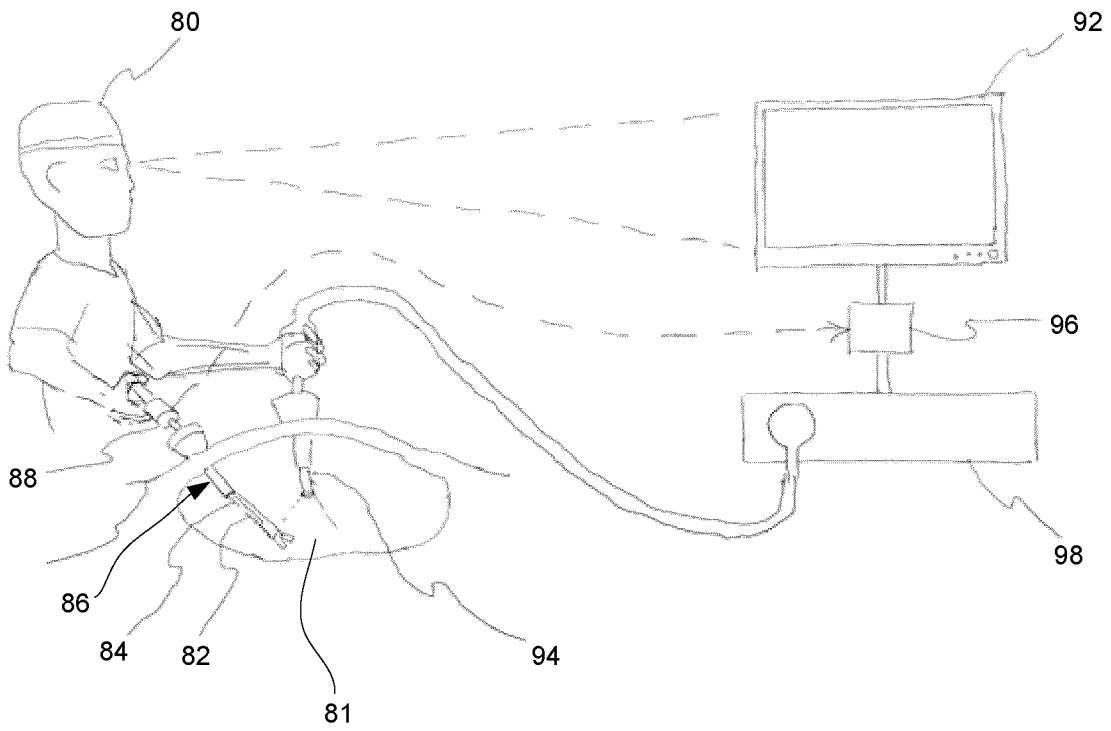


Figure 8b

INTERNATIONAL SEARCH REPORT

International application No.

PCT/CA2017/050103

A. CLASSIFICATION OF SUBJECT MATTER

IPC: *A61B 17/94* (2006.01), *A61B 34/00* (2016.01), *A61B 5/06* (2006.01), *A61B 17/34* (2006.01)

According to International Patent Classification (IPC) or to both national classification and IPC

B. FIELDS SEARCHED

Minimum documentation searched (classification system followed by classification symbols)

IPC: *A61B 17/94* (2006.01), *A61B 34/00* (2016.01), *A61B 5/06* (2006.01), *A61B 17/34* (2006.01)

Documentation searched other than minimum documentation to the extent that such documents are included in the fields searched

Electronic database(s) consulted during the international search (name of database(s) and, where practicable, search terms used)

Questel Orbit and Canadian Patents Database (measure, force, sensor, sensing, thin film, endoscop+, conduct+, end-effector)

C. DOCUMENTS CONSIDERED TO BE RELEVANT

Category*	Citation of document, with indication, where appropriate, of the relevant passages	Relevant to claim No.
Y	US 20080297176A1 (DOUGLAS, M. F.) 4 December 2008 (04-12-2008) *Whole document*	70-85
Y	WO2015155630A1 (ERKAMP, R. Q. et al.) 15 October 2015 (15-10-2015) *Whole document*	71-85
Y	WO2009127071A1 (DARGHAHI, J. et al.) 22 October 2009 (22-10-2009) *Par. [0034] – [0047]; [0049] – [0056]; Figs 2, 6, 7A, 7B, 7C*	71-85
A	US20110046637A1 (PATEL, R. et al.) 24 February 2011 (24—2-2011) *Abs; par. [0088], [0091] – [0098]; Figs. 9A, 9B, 10, 12*	1, 7-10
A	US20070078484A1 (TALARICO, J. et al.) 5 April 2007 (05-04-2007) *Whole document*	1

 Further documents are listed in the continuation of Box C. See patent family annex.

* Special categories of cited documents:	"T" later document published after the international filing date or priority date and not in conflict with the application but cited to understand the principle or theory underlying the invention
"A" document defining the general state of the art which is not considered to be of particular relevance	"X" document of particular relevance; the claimed invention cannot be considered novel or cannot be considered to involve an inventive step when the document is taken alone
"E" earlier application or patent but published on or after the international filing date	"Y" document of particular relevance; the claimed invention cannot be considered to involve an inventive step when the document is combined with one or more other such documents, such combination being obvious to a person skilled in the art
"L" document which may throw doubts on priority claim(s) or which is cited to establish the publication date of another citation or other special reason (as specified)	"&" document member of the same patent family
"O" document referring to an oral disclosure, use, exhibition or other means	
"P" document published prior to the international filing date but later than the priority date claimed	

Date of the actual completion of the international search
21 February 2017 (21-02-2017)Date of mailing of the international search report
04 April 2017 (04-04-2017)Name and mailing address of the ISA/CA
Canadian Intellectual Property Office
Place du Portage I, C114 - 1st Floor, Box PCT
50 Victoria Street
Gatineau, Quebec K1A 0C9
Facsimile No.: 819-953-2476

Authorized officer

Daniel Cormier (819) 639-7840

Box No. II Observations where certain claims were found unsearchable (Continuation of item 2 of the first sheet)

This international search report has not been established in respect of certain claims under Article 17(2)(a) for the following reasons:

1. Claim Nos.: 47-69
because they relate to subject matter not required to be searched by this Authority, namely:
Claims 47-69 are directed to a method for sensing at least one property associated with an end effector of an endoscopic instrument during a surgical procedure. Claims 47-69 relate to subject matter that this authority is not required to search in view of PCT Rule 39.1.
2. Claim Nos.:
because they relate to parts of the international application that do not comply with the prescribed requirements to such an extent that no meaningful international search can be carried out, specifically:
3. Claim Nos.:
because they are dependent claims and are not drafted in accordance with the second and third sentences of Rule 6.4(a).

Box No. III Observations where unity of invention is lacking (Continuation of item 3 of first sheet)

This International Searching Authority found multiple inventions in this international application, as follows:

1. As all required additional search fees were timely paid by the applicant, this international search report covers all searchable claims.
2. As all searchable claims could be searched without effort justifying additional fees, this Authority did not invite payment of additional fees.
3. As only some of the required additional search fees were timely paid by the applicant, this international search report covers only those claims for which fees were paid, specifically claim Nos.:
4. No required additional search fees were timely paid by the applicant. Consequently, this international search report is restricted to the invention first mentioned in the claims; it is covered by claim Nos.:

- Remark on Protest**
- The additional search fees were accompanied by the applicant's protest and, where applicable, the payment of a protest fee.
 - The additional search fees were accompanied by the applicant's protest but the applicable protest fee was not paid within the time limit specified in the invitation.
 - No protest accompanied the payment of additional search fees.

INTERNATIONAL SEARCH REPORT

International application No.

PCT/CA2017/050103

C (Continuation). DOCUMENTS CONSIDERED TO BE RELEVANT		
Category*	Citation of document, with indication, where appropriate, of the relevant passages	Relevant to claim No.
A	US9364203B2 (STROHMAYR, M. et al.) 14 June 2016 (14-06-2016) *Whole document*	1

INTERNATIONAL SEARCH REPORT
Information on patent family members

International application No.
PCT/CA2017/050103

Patent Document Cited in Search Report	Publication Date	Patent Family Member(s)	Publication Date
US2008297176A1	04 December 2008 (04-12-2008)	CN101375502A EP1814226A1 EP1977515A2 JP2009524056A TW200740641A WO2007084590A2 WO2007084590A3	US2008297176A1 04 December 2008 (04-12-2008) 25 February 2009 (25-02-2009) 01 August 2007 (01-08-2007) 08 October 2008 (08-10-2008) 25 June 2009 (25-06-2009) 01 November 2007 (01-11-2007) 26 July 2007 (26-07-2007) 13 September 2007 (13-09-2007)
WO2015155630A1	15 October 2015 (15-10-2015)	CN106163432A EP3131481A1	WO2015155630A1 15 October 2015 (15-10-2015) 23 November 2016 (23-11-2016) 22 February 2017 (22-02-2017)
WO2009127071A1	22 October 2009 (22-10-2009)	EP2340428A1 US2011107842A1 US8596111B2	WO2009127071A1 22 October 2009 (22-10-2009) 06 July 2011 (06-07-2011) 12 May 2011 (12-05-2011) 03 December 2013 (03-12-2013)
US2011046637A1	24 February 2011 (24-02-2011)	WO2009089614A1	US2011046637A1 24 February 2011 (24-02-2011) 23 July 2009 (23-07-2009)
US2007078484A1	05 April 2007 (05-04-2007)	None	
US9364203B2	14 June 2016 (14-06-2016)	US2013197493A1 DE102010034712A1 DE102010034717A1 DE102010034717B4 DE102010034719A1 DE102010034719B4 DE102010034720A1 DE102010034720B4 EP2605710A2 EP2605710B1 US2012043776A1 US8534730B2 WO2012037917A2 WO2012037917A3	01 August 2013 (01-08-2013) 23 February 2012 (23-02-2012) 23 February 2012 (23-02-2012) 14 January 2016 (14-01-2016) 23 February 2012 (23-02-2012) 27 February 2014 (27-02-2014) 23 February 2012 (23-02-2012) 14 November 2013 (14-11-2013) 26 June 2013 (26-06-2013) 21 October 2015 (21-10-2015) 23 February 2012 (23-02-2012) 17 September 2013 (17-09-2013) 29 March 2012 (29-03-2012) 07 June 2012 (07-06-2012)

专利名称(译)	内窥镜用传感器膜		
公开(公告)号	EP3407814A4	公开(公告)日	2019-12-04
申请号	EP2017743539	申请日	2017-01-27
[标]发明人	BROOKS ROBERT WEE JUSTIN GERSTLE JUSTIN LOOI THOMAS DRAKE JAMES		
发明人	BROOKS, ROBERT WEE, JUSTIN GERSTLE, JUSTIN LOOI, THOMAS DRAKE, JAMES		
IPC分类号	A61B17/94 A61B34/00 A61B5/06 A61B17/34		
CPC分类号	A61B5/067 A61B5/6847 A61B17/29 A61B2017/2825 A61B2017/2901 A61B2017/2905 A61B2017/2926 A61B2090/064 A61B2090/065 A61B2562/0261 A61B2562/164 A61B2562/182 A61B2562/187 A61B2562/22 A61B2562/227 A61B17/3494 A61B90/06 A61B90/361 A61B2017/00022 A61B2017/ /00115 A61B2017/2932 A61B2017/00026 A61B2017/00044 A61B2017/00057 A61B2017/00084 A61B2017/0011 A61B2017/00221 A61B2017/00734 A61B2017/2902 A61B2017/2908 A61B2562/0219 A61B2562/0223		
优先权	62/289120 2016-01-29 US		
其他公开文献	EP3407814A1		
外部链接	Espacenet		

摘要(译)

一种用于套管针的内窥镜器械，所述内窥镜器械包括具有近端和远端的细长轴体。在所述远端处的末端执行器组件可通过在所述近端处的致动器机构的操纵来操作；具有第一表面和第二表面的基板芯；在所述第一表面上的至少一个感测元件，所述至少一个感测元件邻近所述远端定位；一种电子模块，用于从所述至少一个传感元件接收传感信号，所述电子模块位于所述近端附近；第一导电层位于所述第一表面上，所述第一导电层具有涂覆在其上的第一阻焊剂；第二导电层位于所述第二表面上，第二导电层具有涂覆在其上的第二阻焊层，并且其中，与所述至少一个感测元件耦合的所述第二导电层将来自所述至少一个感测元件的所述感测信号中继到所述电子模块 所述第一导电层接地。