



- (51) International Patent Classification:  
A61B 1/07 (2006.01)
- (21) International Application Number:  
PCT/IL2015/050756
- (22) International Filing Date:  
22 July 2015 (22.07.2015)
- (25) Filing Language: English
- (26) Publication Language: English
- (30) Priority Data:  
62/028,346 24 July 2014 (24.07.2014) US  
62/119,832 24 February 2015 (24.02.2015) US
- (71) Applicant: Z SQUARE LTD. [IL/IL]; 27 Ha'Barzel St.,  
6971039 Tel Aviv (IL).

- (72) Inventors: SHAHMOON, Asaf; 7/7 Yosef Nakar St.,  
4977357 Petah-Tikva (IL). ZLOTNIK, Alex; 2/22 Simtat  
Yehuash St., 7748612 Ashdod (IL). ZALEVSKY, Zeev; 1  
Hermon St., 4856525 Rosh Ha Ayin (IL). KRE-  
MER-TAL, Sigal; 59 Hameyasdim St., 4724523 Ram-  
at-Hasharon (IL). ZIGDON, David; 18 David Avidan St.,  
6962084 Tel Aviv (IL).
- (74) Agents: PEARL COHEN ZEDEK LATZER BARATZ  
et al.; P.O. Box 12704, 4673339 Herzliya (IL).
- (81) Designated States (unless otherwise indicated, for every  
kind of national protection available): AE, AG, AL, AM,  
AO, AT, AU, AZ, BA, BB, BG, BH, BN, BR, BW, BY,  
BZ, CA, CH, CL, CN, CO, CR, CU, CZ, DE, DK, DM,  
DO, DZ, EC, EE, EG, ES, FI, GB, GD, GE, GH, GM, GT,  
HN, HR, HU, ID, IL, IN, IR, IS, JP, KE, KG, KN, KP, KR,  
KZ, LA, LC, LK, LR, LS, LU, LY, MA, MD, ME, MG,  
MK, MN, MW, MX, MY, MZ, NA, NG, NI, NO, NZ, OM,  
PA, PE, PG, PH, PL, PT, QA, RO, RS, RU, RW, SA, SC,  
SD, SE, SG, SK, SL, SM, ST, SV, SY, TH, TJ, TM, TN,  
TR, TT, TZ, UA, UG, US, UZ, VC, VN, ZA, ZM, ZW.

[Continued on next page]

(54) Title: MULTICORE FIBER ENDOSCOPES

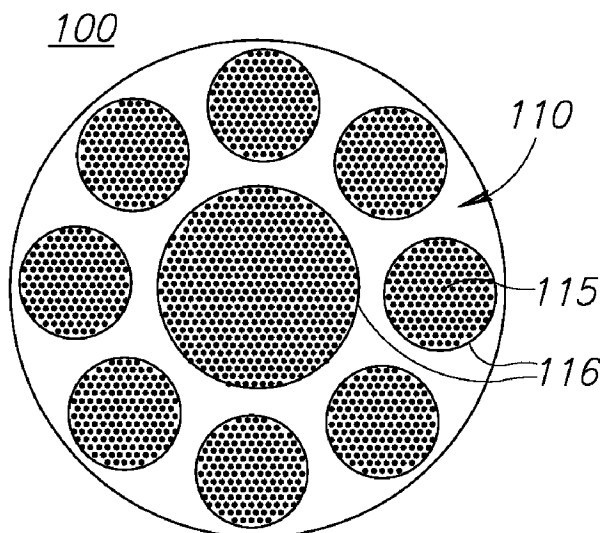


Figure 2C

(57) Abstract: Endoscopes, multicore endoscope fibers and configuration and operation methods are provided. The fibers may have hundreds or thousands of cores and possibly incorporate working channel(s) and additional fibers. The fiber may be used at different optical configurations to capture images of tissue and objects at the distal tip and to enhance a wide range of optical characteristics of the images such as resolution, field of view, depth of field, wavelength ranges etc. Near-field imaging as well as far-field imaging may be implemented in the endoscopes and the respective optical features may be utilized to optimize imaging. Optical elements may be used at the distal fiber tip, or the distal fiber tip may be lens-less. Diagnostics and optical treatment feedback loops may be implemented and illumination may be adapted to yield full color images, depth estimation, enhanced field of views and/or depths of field, and additional diagnostic data.

WO 2016/013014 A1



**(84) Designated States** (*unless otherwise indicated, for every kind of regional protection available*): ARIPO (BW, GH, GM, KE, LR, LS, MW, MZ, NA, RW, SD, SL, ST, SZ, TZ, UG, ZM, ZW), Eurasian (AM, AZ, BY, KG, KZ, RU, TJ, TM), European (AL, AT, BE, BG, CH, CY, CZ, DE, DK, EE, ES, FI, FR, GB, GR, HR, HU, IE, IS, IT, LT, LU, LV, MC, MK, MT, NL, NO, PL, PT, RO, RS, SE,

SI, SK, SM, TR), OAPI (BF, BJ, CF, CG, CI, CM, GA, GN, GQ, GW, KM, ML, MR, NE, SN, TD, TG).

**Published:**

— *with international search report (Art. 21(3))*

## MULTICORE FIBER ENDOSCOPES

## BACKGROUND OF THE INVENTION

## 1. TECHNICAL FIELD

[0001] The present invention relates to the field of endoscopy, and more particularly, to multicore fiber endoscopes.

## 2. DISCUSSION OF RELATED ART

[0002] Endoscopes in various configurations allow efficient treatment of a range of medical problems, as well as means for manipulating different situations with limited access. Endoscope operations are challenging in that illumination, detection and treatment are confined to long and narrow operations modes. Fiber optics technology is a central enabler for such techniques, and fiber-based endoscope experience continuous improvements.

## SUMMARY OF THE INVENTION

[0003] The following is a simplified summary providing an initial understanding of the invention. The summary does not necessarily identify key elements nor limit the scope of the invention, but merely serves as an introduction to the following description.

[0004] One aspect of the present invention provides an endoscope having a distal tip and a proximal tip, the endoscope comprising: at least one fiber module comprising at least one hundred cores distributed at a fill factor smaller than 1/4, at least one optical element, in optical communication with the cores, at the distal tip, and a detector, in optical communication with the cores, at the proximal tip. The endoscope may be configured to implement super-resolved imaging by micro scanning over a pitch distance between the cores, and at least one of (i) implement three dimensional sensing by handling the cores group-wise with respect to radiation delivered therethrough, (ii) enhance, by configuring the at least one optical element, a field of view of the endoscope beyond a region facing the cores at the distal tip, and (iii) enhance, by configuring the at least one optical element, a depth of field of the endoscope beyond a region congruent to the distal tip.

[0005] These, additional, and/or other aspects and/or advantages of the present invention are set forth in the detailed description which follows; possibly inferable from the detailed description; and/or learnable by practice of the present invention.

## BRIEF DESCRIPTION OF THE DRAWINGS

[0006] For a better understanding of embodiments of the invention and to show how the same may be carried into effect, reference will now be made, purely by way of example, to the accompanying drawings in which like numerals designate corresponding elements or sections throughout.

[0007] In the accompanying drawings:

[0008] **Figures 1A-1D** are high level schematic illustrations of endoscope configurations according to some embodiments of the invention.

[0009] **Figures 2A-2C** are high level schematic illustrations of fiber cross sections having a large number of cores in their electromagnetic propagation region(s), according to some embodiments of the invention.

[0010] **Figures 2D and 2E** are high level schematic illustrations of fiber production by packing fiber modules, according to some embodiments of the invention.

[0011] **Figures 3A-3C** are high level schematic cross section illustrations of fibers having working channels and additional channel positions for treatment or illumination fibers, according to some embodiments of the invention.

[0012] **Figure 3D** is a high level schematic illustration of a fiber with an assembled front lens, according to some embodiments of the invention.

[0013] **Figures 3E-3F** are high level schematic illustrations of a defogging mechanism and its effects, according to some embodiments of the invention.

[0014] **Figures 4A-4D** are high level schematic illustrations of hollow endoscope fibers having optical elements at the distal tip which compensate for the central void, according to some embodiments of the invention.

[0015] **Figures 5A-5C** are high level schematic illustrations of optical elements, according to some embodiments of the invention.

[0016] **Figures 6A and 6B** are high level schematic illustration of fiber cross sections with different configurations of the cores, according to some embodiments of the invention.

[0017] **Figure 6C** illustrates comparative experimental results of full core and hollow core fibers, according to some embodiments of the invention.

[0018] **Figure 7** is a high level schematic flowchart illustrating a method, according to some embodiments of the invention.

[0019] **Figures 8A-8E** are high level schematic illustrations of experimental imaging results for bundled fibers, according to some embodiments of the invention.

#### DETAILED DESCRIPTION OF THE INVENTION

[0020] Prior to the detailed description being set forth, it may be helpful to set forth definitions of certain terms that will be used hereinafter.

[0021] The terms “distal” and “proximal” as used in this application refer to the ends of the endoscope. The end and associated parts of the endoscope which are far from the endoscope’s interface (detector or eye) and close to the imaged tissue and to its surroundings is termed the distal end, while the end and associated parts of the endoscope which are close to the endoscope’s interface and are remote from the imaged tissue, being typically outside the body is termed the proximal end. The term “reflected” as used in this application refers to a change in a direction of an illumination wavefront which impacts one or more imaged object or tissue. The term “reflection” is understood broadly as any radiation gathered by the fiber, irrespective of the source of the illumination which is reflected by the object(s) and/or tissue(s).

[0022] The term “near field imaging” as used in this application refers to the formation of an image (of imaged objects, tissues and/or their surroundings) at the distal end of the endoscope fiber, typically at the fiber’s tip. The imaged is then typically transferred through the fiber to the detector, possibly through proximal optical elements. The term “near field imaging” may relate to different types of optical systems, including direct imaging without any optical elements between the imaged object or tissue and the fiber tip as well as to imaging through optical element(s) such as lenses.

[0023] The term “far field imaging” as used in this application refers to the formation of a Fourier transform of imaged objects, tissues and/or their surroundings at the distal end of the endoscope fiber (i.e., the distal end of the endoscope fiber is at the aperture or pupil plane of the optical system), typically at the fiber’s tip. The image of the imaged objects, tissues and/or their surroundings may be formed at the proximal end of the endoscope fiber, typically at the fiber’s proximal tip or directly on the detector, possibly through proximal optical elements. The term “far field imaging” may relate to different types of optical systems. In one example, “far field imaging” may be direct in the sense that no optical elements are used between the imaged object or tissue and the distal fiber tip, which delivers radiation entering the fiber along the fiber to the detector at the proximal end of the fiber. In another example, “far field imaging” may be carried out with optical elements positioned between the imaged object or tissue and the distal fiber tip, with the distal fiber

tip being at least approximately at the Fourier plane (also termed aperture plane and pupil plane in different contexts) of the optical elements.

[0024] With specific reference now to the drawings in detail, it is stressed that the particulars shown are by way of example and for purposes of illustrative discussion of the preferred embodiments of the present invention only, and are presented in the cause of providing what is believed to be the most useful and readily understood description of the principles and conceptual aspects of the invention. In this regard, no attempt is made to show structural details of the invention in more detail than is necessary for a fundamental understanding of the invention, the description taken with the drawings making apparent to those skilled in the art how the several forms of the invention may be embodied in practice.

[0025] Before at least one embodiment of the invention is explained in detail, it is to be understood that the invention is not limited in its application to the details of construction and the arrangement of the components set forth in the following description or illustrated in the drawings. The invention is applicable to other embodiments or of being practiced or carried out in various ways. Also, it is to be understood that the phraseology and terminology employed herein is for the purpose of description and should not be regarded as limiting.

[0026] Endoscopes, multicore endoscope fibers and configuration and operation methods are provided. The fibers may have hundreds or thousands of cores and possibly incorporate working channel(s) and additional fibers. The fiber may be used at different optical configurations to capture images of tissue and objects at the distal tip and to enhance a wide range of optical characteristics of the images such as resolution, field of view, depth of field, wavelength ranges etc. Near-field imaging as well as far-field imaging may be implemented in the endoscopes and the respective optical features may be utilized to optimize imaging. Optical elements may be used at the distal fiber tip, or the distal fiber tip may be lens-less. Diagnostics and optical treatment feedback loops may be implemented and illumination may be adapted to yield full color images, depth estimation, enhanced field of view and/or depth of field and additional diagnostic data.

[0027] In the following, various embodiments of multicore endoscope fibers are disclosed. The described embodiments are roughly and not exclusively described in groups relating to the following traits. Certain endoscope embodiments may implement far field imaging (see **Figure 1A** below), i.e., have the image formed at the proximal end of the endoscope fiber, while certain endoscope embodiments may implement near field imaging (see **Figure 1B** below), i.e., have the image formed at the distal end of the endoscope fiber. Both far field and near field implementations, may have

distal optical elements between the imaged objects or tissues and the distal fiber tip (see **Figure 1C** below), or may operate without such distal optical elements (see **Figure 1D** below). Each of the four combinations (far field with or without distal optical elements and near field with or without distal optical elements) has different features, advantages and disadvantages as exemplified in **Table 1**, and may be selected according to specific implementation scenarios. Alternation of the combination may be carried out between applications or in real time, to combine advantages of different configuration types. It is further noted that endoscopes may be designed to have several combinations, e.g., a part of the fiber face (or certain fiber modules) having distal optics for imaging far objects and another part of the fiber face (or other fiber modules) lacking distal optics for microscopic imaging.

**Table 1:** Characteristics of different embodiments

	Far-field imaging	Near-field imaging
Distal fiber tip	Fourier plane	Image plane
With distal optics	Larger region of interest	Larger field of view, Image multiplexing, larger energetic efficiency
	Larger field of view which may include working channel without compromising (central) regions in the field of view	
No distal optics	Wavefront sensing, optical zooming	Auto focus and optical zooming capabilities
	Simpler production and fiber management	

**[0028]** Certain embodiments comprise lens-less embodiments in which the distal fiber tip lacks optical elements. Lens-less embodiments may implement either far-field or near-field imaging, and may utilize structural features to enhance optical resolution, apply super-resolution methods and retrieve wavefront information while reducing crosstalk between the cores.

[0029] Endoscope embodiments may have full tip cross sections or have working channel(s) within the imaging fiber characterized by different configurations and uses, integrating additional fibers etc., in which case the cores and optical elements may be configured to overcome the reduction of the field of view due to the incorporation of the working channel.

[0030] In the following, various configurations of the large number of cores in the fiber are disclosed, which provide solutions to various issues such as reducing crosstalk between the fibers, overcoming material losses, achieving enhanced resolution by different methods, providing required mechanical characteristics and optimizing the imaging performances of the endoscope fibers. The disclosed endoscopes may serve different purposes, e.g., may be designed as a laparoscope or an ureteroscope. It is noted that elements disclosed in the context of some of the embodiments are not necessarily limited to these embodiments but may be implemented within other embodiments as well.

[0031] **Figures 1A-1D** are high level schematic illustrations of endoscope configurations according to some embodiments of the invention. Proposed micro endoscope **105** is constructed from large plurality of cores (e.g., one hundred cores or more, hundreds of cores, thousands of cores, in certain embodiments tens or hundreds of thousand cores per fiber or fiber module, reaching over a million cores in certain fiber endoscopes), each responsible for transferring a single or a large number of spatial degrees of freedom out of which at the output, proximal end (the one external to the patient body), a high resolution color image may be constructed. Multi-core fiber **100** exhibits a high degree of flexibility in its optical design, as exemplified below, which may be utilized and adapted for specific applications, for example for ureteroscopes with a large working channel and a small external diameter or for laparoscopes with a very high resolution obtained at a small external diameter.

[0032] Endoscope **105** may be configured to carry out far-field imaging, near-field imaging or a combination of far-field imaging and near-field imaging. Irrespectively of the imaging mode, endoscope **105** may be configured to have one or more optical elements **140** at a distal tip **101** of fiber **100** or have no optical elements between tip **101** and imaged tissue(s) or object(s) **70**. Certain embodiments may comprise removable or reconfigurable optical elements **140** at tip **101** and/or optical elements **140** affecting only parts of the surface of distal tip **101** (e.g., sub-group(s) of the cores).

[0033] Certain embodiments comprise endoscopes **105** having a plurality of fibers **100**, grouped together, each having at least one hundred cores distributed at a fill factor smaller than  $\frac{1}{4}$ , or even

smaller than 1/9, at least one photonic illumination fiber, and at least one optical element at a distal tip of fibers **100**, which may be configured to enhance a field of view and/or a depth of field of endoscope **105** beyond a region facing a tip of fibers **100** and congruent thereto (see details below). Endoscope **105** may be further configured to implement three dimensional sensing by handling the cores group-wise with respect to radiation delivered therethrough (see details below). Endoscope **105** may be further configured to super-resolved imaging by micro scanning over a pitch distance between the cores (see details below). Endoscope **105** may be configured to comprise a LED (light emitting diode) light source located at distal tip **101** as the illumination source.

[0034] **Figure 1A** schematically illustrates far-field imaging, in which an image **73** (indicating any kind of electromagnetic signal reflected from tissue or object **70**) is delivered through tip **101** and fiber **100** to yield image **75** on detector **91**. Tip **101** may be a Fourier plane (also termed aperture plane or pupil plane) at which the Fourier transform **74** of image **73** enters fiber **100**. It is noted that the Fourier plane may be located anywhere along fiber **100** as well as distally or proximally to fiber **100**, in different embodiments of the invention, and be optically transformed to image **75** on detector **91**. Alternatively or complementary, Fourier image **74** or derivatives thereof may be measured at detector **91**, and/or manipulated to enhance imaging parameters such as resolution, field of view and depth of focus, as non-limiting examples. Optical elements may be introduced distally or proximally to fiber **100** to modify or manipulate the radiation entering tip **101** and the radiation falling on detector **91**, respectively.

[0035] **Figure 1B** schematically illustrates near-field imaging, in which image **73** yields image **75** at fiber tip **101**. Image **75** is then delivered, possibly through optical elements, to detector **91** through fiber **100**. It is noted that image **75** may be formed within fiber **100** and not necessarily exactly at tip **101**. Image **75** delivered via fiber **100** may be measured at detector **91**, and/or manipulated to enhance imaging parameters such as resolution, field of view and depth of focus, as non-limiting examples. Optical elements may be introduced distally or proximally to fiber **100** to modify or manipulate the radiation entering tip **101** and the radiation falling on detector **91**, respectively.

[0036] **Figure 1C** schematically illustrates optical configurations having one or more optical element(s) **140** at the distal end of fiber **100**, at proximity to imaged tissue **70**. Optical element(s) **140** may be attached to tip **101** or may be somewhat distally removed from tip **101** (e.g., held by spacers at a distance therefrom). Each optical element **140** may be in optical communication with a respective core or a respective group of cores. Proximally, illumination **85** is delivered to fiber **100** and reflected illumination (e.g., in far-field or in near-field) is directed from the cores to a detector

91, e.g., via a beam splitter 90. Proximal optical elements may be set and used to manipulate illumination 85 and the reflected illumination, as symbolized below (**Figure 1D**) by lenses 84, 94 respectively. One or more processor(s) 99 may be configured to control the illumination and/or process the detected illumination, as well as control illumination and image beams in case there are controllable elements in the optical path.

[0037] **Figure 1D** schematically illustrates optical configurations having no optical element(s) (also termed below “lens-less” configurations) at the distal end of fiber 100, so that fiber tip 101 is used directly to deliver and receive illumination to and from imaged tissue 70. Illumination 85 is delivered to fiber 100 proximally, e.g., via an optical element 84 such as a lens, and reflected illumination is directed to detector 91 via another optical element 94, e.g., a lens. One or more processor(s) 99 may be configured to control the illumination and/or process the detected illumination, as well as control illumination and image beams in case there are controllable elements in the optical path. In certain embodiments, lens-less configurations may be configured to generate image at “contact mode”, i.e., with close proximity of the fiber tip to the examined tissue, to yield microscopic resolution determined by the sizes of the cores.

[0038] In certain embodiments, proximal optical elements 94 (and possibly optical elements 84 too) may be variable and be used to adjust the plane and depth of focus of captured images in far-field imaging configurations, especially in lens-less configurations.

[0039] **Figures 2A-2C** are high level schematic illustrations of fiber cross sections having a large number of cores 115 in their electromagnetic propagation region(s) 110, according to some embodiments of the invention. Fiber(s) 100 may comprise central or eccentric optical cores (110) and/or may have hollow, central or eccentric region(s) (112) that may be used for treatment such as energy delivery, suction, illumination, drug delivery etc. Illumination means may be integrated in various ways within the multicore fibers 100. Selection of near-field or far-field configurations, as well as selection if and which optical elements 140 are inserted distally to the tip, may be carried out under consideration of the tradeoffs between the different applications (see e.g., **Table 1** and other examples below). For example, considerations concerning production, use, optical characteristics and algorithmic parameters may be balanced differently at different embodiments to optimize endoscope 105 to a wide range of performance and device requirements.

[0040] Fiber 100 illustrated in **Figure 2A** may have any form of cross section, e.g., square as illustrated in a non-limiting manner, round, hexagonal, elliptic etc. While **Figure 2A** illustrates a solid cross section of fiber 100, **Figure 2B** illustrates hollow endoscope having a void 112 within

fiber **100** that may be used for different purposes as disclosed below (e.g., as a working channel for inserting a tool or carrying out suction, for incorporating additional fibers etc.). Fibers **100** may be square, round or have any other form, and void **112** may too have any shape and any position within fiber **100**, void(s) **112** and fiber **100** may have any dimensions ( $R_i$ ,  $R_o$ ,  $D$ ,  $W$  etc.), and voids may also be multiple (i.e., fiber **100** may enclose two or more voids), all designed according to requirements from the endoscope. **Figure 2C** schematically illustrates multicore fiber **100** with cores **115** grouped into “super core” groups **116** that may be configured to sense wavefronts in lens-less configurations, as explained below.

[0041] Multicore fiber **100** may be made of biocompatible materials in case of medical uses, e.g., polymers such as PMMA (poly-methyl methacrylate) and PS (polystyrene) and may be flexible. Fiber **100** may also be made of non-compatible materials and be flexible or rigid in case of industrial uses. Fiber **100** may be configured to have a flexibility characterized by a Young's modulus smaller than 10 GPa and to be disposable. Fiber **100** may thus be more flexible than glass fiber (having a Young's modulus of about 65 GPa), and may reach PMMA flexibility (Young's modulus between 1.8 and 3.1 GPa) or higher flexibility.

[0042] Various embodiments compensate for the reduced transparency of polymer fibers with respect to glass fibers, using means such as fiber materials, configuration of cores and interspaces, number and sizes of cores, material modifications of different fiber parts, control over the number of propagation modes in cores **115**, optical means such as lenses or prisms at either side of fiber **100** and their configuration, design and application of different types of illumination and algorithmic solutions, all of which are exemplified below in a non-limiting manner. The following disclosure also addresses ways to control cross talk between cores **115** (i.e., interaction effects between radiation propagating in adjacent cores **115**) and ways to improve the information content and to enhance treatment-relevant information of the detected images.

[0043] Illumination may comprise coherent light or incoherent light, any spectral pattern (broad or narrow wavelength ranges, continuous or discrete ranged), polarized (in various patterns) or non-polarized light and different ranges in the visual or infrared ranges. Material differences between cores, interspaces and outer cladding may comprise different materials, using air cores or air interspaces, and doping any of the fiber regions to influence their refractive indices, as explained in more details below. It is noted that any of the embodiments presented below may be used in any of the other embodiments described herein, as long as they are compatible. Particularly, computational

methods optical methods and fiber design considerations described in the context of any embodiment may be applied to other embodiments as well.

[0044] **Figures 2D and 2E** are high level schematic illustrations of fiber production by packing fiber modules, according to some embodiments of the invention. Multi-core fibers **100** may be produced using fiber modules or units **117**. Each fiber module **117** is itself a multicore fiber, possibly configured to have uniform dimensions. Such embodiments are referred to as bundled fibers, and may bundle any number of fiber modules **117** in any configuration (e.g., 2x2 modules, 3x3 modules etc.). Fiber module **117** may have any form, such as square, rectangular, round or elliptic, and may be packed into fibers **100** having a wide range of forms and configurations, Introducing fiber modules **117** having an intermediate dimension between cores or core groups and whole fiber **100** (each module **117** may have e.g. tens, hundreds or thousands of cores) enables simpler production and higher flexibility on forming fiber **100** from fiber modules **117**. For example, as illustrated in **Figure 2D**, rectangular fiber **100** may be assembled from rectangularly arranged square fiber modules **117**, e.g., using a package support **118A** and a respective attachable cover **118B**. Fiber modules **117** may simply be mechanically held by package support **118A** and cover **118B** at certain regions along fiber **100** and/or fiber modules **117** may be glued together or otherwise attached at least at certain regions. In another example, illustrated in **Figure 2E**, fiber modules **117A**, **117B** may be arranged around void **112**. In certain embodiments, fiber modules **117A**, **117B** may be arranged to differ in their observation angles and/or in optical elements **140** attached at fiber tip **110** (see e.g., below, **Figures 4A-4D**). For example, fiber units **117A** may be configured to cover a field of view in front of void **112** (e.g., be inclined inwards or have respective optical elements) while fiber units **117B** may be configured to cover a field of view laterally beyond tip **101** (e.g., be inclined outwards or have respective optical elements). For example, non-limiting inclination angles may be 5-20° inwards and 10-50° outwards. Respective packaging or attachment configurations may be applied to fixate fiber modules **117A**, **117B** in their respective positions and angles. In certain embodiments, the annular arrangement of fiber modules **117A**, **117B** may be at the fiber's distal end, while fiber modules **117A**, **117B** may be separated and re-arranged differently at the fiber's proximal end, e.g., into a rectangular form to cover a face of a single rectangular detector. Thus flexibility in production and use is achieved, which enables independent optimization of the spatial distribution of the fiber modules at either end of fiber **100**, to enhance both the optical sensing at the distal end as well as the detection and processing at the proximal end.

[0045] **Figures 3A-3C** are high level schematic cross section illustrations of fiber **100** having working channel **112** and channel positions **120** for treatment or illumination fibers, according to some embodiments of the invention. Working channel **112**, depicted as void **112** within fiber **100**, is surrounded by electromagnetic propagation multicore fiber region **110**. Treatment and/or illumination fiber(s) may be integrated into fiber **100** of the endoscope in a way that allows combined imaging and treatment using one fiber, immediate image feedback of the treatment etc. Such combination may be used e.g., as ureteroscope or as any other type of endoscope. In certain embodiments, positioning additional fibers in channels **120** near working channel **112** may be configured to cool down the fibers (e.g., treatment fibers) by the liquids flowing through working channel **112**.

[0046] In the illustrated examples, treatment or illumination fibers may be inserted at indicated positions **120** (e.g., grooves, or channels), e.g., at an inner wall of multi-core imaging region **110** in fluid communication with working channel **112**, i.e., on the periphery of voids **112** (**Figure 3A**, channel diameter e.g., ca. 250 $\mu$ m), at an outer wall of multi-core imaging region **110** in fluid communication with the surroundings of fiber **100**, i.e., on the periphery of fiber **100** (**Figure 3B**, channel diameter e.g., ca. 250 $\mu$ m), within multi-core imaging region **110** (**Figure 3C**, channel diameter e.g., ca. 200 $\mu$ m), or combinations of these possibilities. Integration of the treatment or illumination fibers may be carried out before, during or after production of fiber **100**. In certain embodiments, glass treatment or illumination fibers may be inserted into grooves **120** after pulling polymer fiber **100**.

[0047] In certain embodiments, treatment or illumination fibers may be configured and controlled to operate collectively, simultaneously or sequentially, to achieve a desired illumination and/or treatment. For example, the treatment channel may be split into several low power channels **120** to have thinner channels and lower power delivery through each channel. Such configuration may enable increasing the mechanical flexibility of the endoscope, which is very important, e.g., in the field of ureteroscopy. Furthermore, the usage of hollow channels **120** for inserting the external illumination or treatment fibers provides a device configuration exhibiting self-alignment.

[0048] **Figure 3D** is a high level schematic illustration of fiber **100** with an assembled lens **119**, according to some embodiments of the invention. A modular construction of fiber **100** (see e.g., **Figures 2D, 2E**) may be used to modify some of fiber modules **117** to incorporate features into fiber **100** in a simpler manner than incorporating these features into a uniform fiber. fiber modules **117D** may be configured in a modular, building block style manner to form various cross sectional

organizations with respect to form and functionality of the endoscope. In the illustrated example of certain embodiments, two non-adjacent fiber modules **117D** may be coated with a conductor (e.g., a metal) while the rest of fiber modules **117C** may be uncoated (and insulating). Such configurations may be used to deliver electricity to fiber tip **101**. For example, electromagnetic signals or electromagnetic radiation may be delivered via fiber modules **117D** to adjacent tissues or to associated devices or components (e.g., checking equipment or endoscope instrumentation). In the illustrated example, electromagnetic energy may be delivered to distal lens **119** for heating it to prevent fogging upon entry to the body. In certain embodiment, an antenna structure (not shown) may be designed upon lens **119**, which receives electromagnetic radiation to heat lens **119** without using contacts. In certain embodiments, radiofrequency (RF) treatment may be applied to tissue or objects surrounding fiber tip **101** via the conductive coating of fiber modules **117D**.

[0049] **Figures 3E-3F** are additional high level schematic illustrations of a defogging mechanism **121** and its effects, according to some embodiments of the invention. **Figure 3E** illustrates lens **119** coated by a conductive coating **122** connected to an electric circuit **123** configured to heat lens **119** via coating **122**, to prevent fog and to defog lens **119** when required. **Figure 3F** exemplifies image deterioration by fog accumulation – the top image (A) taken a short time after the beginning of fog accumulation, the bottom image (B) taken later, with the object, marked by an arrow, barely visible. **Figure 3G** illustrates the image after defogging – both object and illumination spot are clear again.

[0050] In certain embodiments, endoscope **105** may be operated in the far field (**Figure 1A**) or in the near field (**Figure 1B**) by properly adapting the focal length of the external optics (the one outside the patient's body, e.g., optical elements **84, 94**) to the working distance of treated tissue **70** from the distal tip of the endoscope. Fiber **100** may be configured to deliver full images even with working channel **112** in the middle of the imaging surface by employing far field imaging, e.g., using imaging lens **94** adapted to have a central blocked aperture.

[0051] In far field imaging configurations having lens-less fiber tip **101**, obtained images may have a number of pixels that is not related to the number of cores **115**, enhancing the image resolution with respect to near field embodiments. For example, certain embodiments comprise using as detector **91** an integral imaging sensor capable of sensing wavefront or the 3D topography of inspected tissue **70**. In such embodiments, cores **115** may be configured to have a small number of possible spatial modes, resembling the Shack-Hartmann interferometer or a wavefront sensor.

[0052] In certain embodiments, cores **115** may be grouped into “super-cores” **116** (see **Figure 2C**), each comprising a group of adjacent cores **115**. Each “super-core” **116** may be handled as a single

wavefront sensing element which delivers information about the wavefront by comparing radiation propagating through individual core members **115** within each “super-core” **116** (or light field sensing. i.e., comparing light directions at different cores operating in near field and multi-mode). The grouping of cores **115** into “super-cores” **116** may be uniform across the face of fiber **100** or be variable, some core groups being larger than others, see e.g., the larger central core group in **Figure 2C**).

[0053] The grouping of cores **115** may be changed in time according to imaging performance preferences, based e.g., on an even (or uneven) distribution of cores **115** across fiber **110**. It is noted that in such configurations a tradeoff exists between depth measurements and resolution. A larger number of cores **115** in each “super-core” **116** provides more details about the three dimensional structure of the imaged region by using more detailed wavefronts, while smaller numbers of cores **115** per group **116** and no grouping at all provide higher resolution. The grouping of cores **115** may hence be designed or modified according to spatially and temporally changing imaging requirements. Complementarily, cores **115** may be handled by processor **99** group-wise with respect to the radiation delivered therethrough, to implement each group **116** as a wavefront sensor. The allocation of cores **115** to core groups **116** may be carried out dynamically, e.g., by processor **99**. Additionally, grouping considerations may accompany other considerations regarding imaging performance such as suggested techniques for enhancing resolution and/or depth measurements.

[0054] In certain embodiments, near field implementations may comprise sensing the light field between the cores (operating in multi-mode), i.e., measuring directional components of the radiation to yield 3D imaging. Light field sensing may be carried out groupwise with respect to the core grouping.

[0055] In certain embodiments, endoscope fiber **100** may comprise multiple cores **115** that are not positioned at equal distances but interspaced unevenly (see **Figure 2A** for a schematic illustration). Uneven (irregular) distribution of cores **115** (e.g., a spatial distribution that does not coincide with the spatial distribution of pixels on detector **91**) enables, when working in the far-field conditions, to obtain super resolved images since the sampling of cores **115** in the aperture plane (Fourier plane) is not uniform and thus the sampling at the aperture plane does not affect the field of view or generate visible limitations in the image plane. The distribution of cores **115** and the interspaces across fiber **100** may be designed to optimize resolution enhancement using algorithmic and optical techniques. Indeed, increasing the distances between cores **115** may provide larger benefits from micro-scanning and application of other super resolution techniques.

[0056] In certain embodiments, the optical design of fiber tip **101** may be configured to have working channel **112** positioned asymmetrically and not centrally within the cross section of the tip (not concentric to the imaging channel). The shape of working channel **112** may be configured to differ than circular (e.g., elliptic, elongated, polygonal etc.) in order to better encode the optical transfer function (OTF). The working channel shape may be configured to improve inverting the OTF and the algorithmic correcting of the image via the image post processing to yield a super resolved image.

[0057] In certain near-field imaging embodiments, an increased depth of focus may be achieved in lens-less embodiments by selecting the best focal positions that can provide the sharpest contrast per each pixel in the generated image, from images captured at different tip positions with respect to tissue **70**. The best focus for each pixel may be selected from a plurality of images captured at different tip positions.

[0058] In certain embodiments, optical elements **140** may be attached to or produced at distal fiber tip **100** (facing tissue **70**). Optical elements **140** may be used to enhance imaging in both far-field imaging and near-field imaging. For example, optical elements **140** may be used to control the field of view, increasing it beyond the edges of tip **101** outwards and/or inwards (in case of a designed working channel void **112**).

[0059] **Figures 4A-4D** are high level schematic illustrations of hollow endoscope fiber **100** having optical elements **140** at distal tip **101** which compensate for the central void, according to some embodiments of the invention. In embodiments with void(s) **112** at the cross section of fiber **100** at tip **101**, various solutions are presented below for imaging a void-facing area **72** in addition to (or in place of) region **71** facing cores **115**. It is noted that any type of target **70** may be imaged, e.g., tissue, specific anatomical members, bodily fluids, various stones or obstructions, tumors, foreign bodies etc.

[0060] In certain embodiments, illumination source **85** of endoscope **105** and at least some of the optical elements (e.g., tip optical elements **140**, proximal optical elements **84**, **94**) may be configured to image at least a part of the area facing void(s) **112** (i.e., void-facing area **72**) differently than a rest of the region facing tip **101** (i.e., core-facing region **71**). The difference in the imaging may lie in any of polarization, wavelength, wavelength range and/or timing of the illumination. Non-limiting examples are presented in the following.

[0061] Multiple cores **115** may be used to generate a full image, overcoming the lack of cores in hollow region **112** and providing imaging (and illumination) of tissue **70** directly opposite to

working channel **112** (void-facing area **72**). For example, endoscope **105** may be configured to provide a 90° field of view of fiber **100**. **Figure 4A** schematically illustrates in a non-limiting manner an annular multicore region **110** (with an inner radius  $R_i$  and an outer radius  $R_o$ ) having annularly arranged optical elements **140**. Similar principles may be applied to any geometric configuration of fiber tip **100**, e.g., any form thereof, any position and form of void(s) **112**, etc.

[0062] In certain embodiments, optical elements **140** may comprise gradient index (GRIN) lenses cut at specified angles and glued at tip **101** of micro endoscope **105**. Each cut GRIN **140** may be cut and positioned to face a different direction in order to enhance the fiber's field of view (FOV) to equal the number of GRINs **140** multiplied by the FOV of each GRIN **140** (or, complementarily or alternatively, enhance the depth of field by configuring some of GRINs **140** to deliver radiation from different depths of field). The cut of the edge of GRIN lenses **140** may realize a prism coupling light into that specific GRIN from different predefined sectors of the field of view. Aspheric lenses may be used as alternative to GRIN lenses as optical elements **140**.

[0063] **Figures 4B-4D** schematically illustrates three possible configurations, according to some embodiments of the invention. The large circle schematically represents the periphery of the total FOV of fiber tip **101**, which is the boundary of the imaged region facing the cores (**71**), while the small circles represent the fields of view of individual optical elements **140**, **141**, taken in a non-limiting illustrative case to be equal. For example, tip FOV (region **71** plus void-facing area **72**) may be covered by equally spaced (in **Figure 4B** eight) optical elements **140** each imaging a peripheral region **145**, and an additional optical element **141** may be configured to image a central region **146**. Void-facing area **72** is thus covered centrally by region **146** and its periphery is covered by regions **145**. In another example, a larger number (in **Figure 4C** twenty one) of optical elements **140** may be configured to have angles covering tip FOV in several concentric circular sets of imaging regions - in the illustrated example twelve peripheral regions **145**, eight intermediate regions **146** and one central region. In another example, annularly arranged optical elements **140** (in **Figure 4D** twenty five) may be configured to have angles covering the tip FOV in a grid-like manner individual regions **145** partly overlapping and covering tip FOV and possible extending into a larger area. This disclosed method provides high flexibility in adapting fiber tip optical elements **140** to yield a required field of view.

[0064] In certain embodiments, optical element **140** may comprise an annular lens coupled to an annular prism that directs light from the whole FOV into the annular lens.

[0065] In certain embodiments, possibly without the ring of optical elements described above, the center of FOV may be imaged using selective illumination. Illumination may be directed to the center of FOV and not to its periphery, and accompanying algorithms may be configured to process the detected signals to derive images of the FOV center (e.g., by processor 99).

[0066] In certain embodiments, illumination having different polarizations may be used for the central FOV (e.g., void-facing area 72) and for the periphery of FOV (e.g., cores-facing region 71), so that the detected signal is spatially encoded by the difference in polarization, and may be decoded to create images of the whole FOV (see more elaborate explanation below). Optical elements 140 may be birefringent to directly differently polarized illumination to different geometric areas.

[0067] In certain embodiments, void 112 may be eccentric or divided into eccentric voids, leaving rooms for ventral cores to image the center of the FOV directly.

[0068] In certain embodiments, cores 115 may unequally or non-uniformly spaced within fiber 100, e.g., such that the positions of cores 115 do not coincide with the uniform spatial sampling matrix of the pixels of detector 91 positioned outside the body. The lack of coinciding between the two grids may be utilized to apply geometric super resolving algorithms to improve the quality of the captured image (resembling in a sense the micro-scanning technique).

[0069] Certain embodiments may implement micro scanning via the spatial core configuration. For example, fiber 100 may exhibit multicore designs having a low fill factor (the fill factor is the ratio between the core area and the square of the distance between cores, the latter termed pitch). For example, the core diameter may range between 0.4-2.5 $\mu\text{m}$  and the pitch may range between 2-10 $\mu\text{m}$  to yield a range of low fill factors ( $1/(\text{pitch}/\text{core diameter})^2$ ), e.g., fill factors between  $1/4$  and  $1/16$ . When the fill factor is low (e.g., below  $1/4$ , below  $1/9$ , e.g.,  $1/16$ ), simple movement of tip 101 of the micro endoscope (e.g., movement amplitude may equal at least the pitch, i.e. a few microns) enable implementation of the micro-scanning concept to significantly increase the geometric resolution of the device. (It is noted that in case of imaging with large fill factor the micro scanning procedure cannot increase the geometric resolution of the image but rather only to perform over-sampling of the image - because the point spread function (PSF) of the sampling pixel/core itself limits as a spatial low pass the obtainable resolution.) In certain embodiments, spatial scanning methods and temporal scanning methods according to the present disclosure may be combined and adapted to imaging requirements.

[0070] In certain embodiments, illumination channel 85 may have time-varying optics which realizes a spatial scanning of the illumination spot. The spatial illumination scanning may be used to

construct a wide field image having large field of view which is not affected by the working channel positioned in the center of the tip even if the tip is in near field with respect to the inspected tissue.

[0071] In any of the embodiments, processor **99** may be configured to process into images radiation delivered from the imaging region through cores **115** to detector **91** and possibly to implement super-resolution algorithms on the detected radiation.

[0072] In certain embodiments, inspected tissue **70** may be illuminated by a tunable laser as illumination source **85**. A set of spatial images of tissue **70** may be captured, each image corresponding to a different wavelength. The resulting hyperspectral image may be used for identification of specific types of tissues (e.g., cancerous tissue) to enhance the imaging. Thus fiber endoscope **105** may provide diagnostic possibilities carried out using different wavelengths (in a specified diagnostic wavelength range, such as infrared wavelengths used to measure hemoglobin oxygenation) that are used for specific purposes and not necessarily for the imaging illumination. The selection of wavelengths and wavelength bands may be changed during the procedure, manually or automatically, to adapt to different stages in the procedure and different imaging requirements with respect e.g., to spatial or temporal parameters, encountered site and tissue, etc. In one example, single wavelength bands may be illuminated and analyzed separately, to enhance the derived information. Given wavelength bands may be used to illuminate the target from different directions to yield more detailed spatial information.

[0073] In certain embodiments, working channel **112** of endoscope **105** configured as an ureteroscope may be used to suck out large kidney stones and attach the stones by suction to tip **101** of the endoscope. Treatment laser (possibly incorporated in fiber **100**, see **Figures 3A-3C**) may then be used to break the stones while the sucking stabilizes the stones and prevents them from moving around during the medical treatment. Suction may be applied through working channel **112**, and the imaging may be used to provide feedback regarding the efficiency of the suction and the treatment. For example, intensive treatment may tend to overcome the suction and release the attached stone. The imaging may be used to detect the development of stone disengagement from fiber tip **101** and to adjust suction and/or applied energy respectively. In this context, splitting of energy application into several fibers as described above may provide more uniform treatment of the stone that employs lower energy concentration at any one point of the stone. Energy application intensity may be regulated at each of the energy sources to avoid stone disengagement from the suction.

[0074] In certain embodiments, working channel **112** of the ureteroscope may be used to inject liquid and to slightly change the optical conditions of fiber **100** such that effectively the focal length

of lens **140** at tip **101** is changed and focal scanning can be realized to produce the sharpest possible image per each pixel in the image.

[0075] Endoscope **105** may be configured as any type of endoscope and be used to handle any type of bodily stones or other obstructions.

[0076] **Figures 5A-5C** are high level schematic illustrations of optical elements **140**, according to some embodiments of the invention. In certain embodiments, a polarizing optical element **150** (e.g., a Glan Thompson prism) may be implemented at the end of fiber **100** (**Figure 5A**) in addition to imaging lens(es) **140** at tip **101** of the micro-endoscope (e.g., a GRIN lens, aspheric lenses). Polarizing optical element **150** may be configured to increase FOV by polarization multiplexing beyond the limitations of optical element(s) **140**. Different fields of view **130A**, **130B** may be polarization-encoded, folded into endoscope fiber **100** and separated at the output (e.g., using a polarized beam splitter (PBS) **93** before reaching detectors **91**, **92**). Polarization-encoding may be carried out using different linear polarization directions (e.g. with 45° therebetween), circular polarization etc. Polarization multiplexing may be used to increase the imaged area either laterally or centrally (see above), depending on the configurations of fiber **100** and the optics. Polarization multiplexing may be combined with temporal scanning of the field of view. Polarization multiplexing may be used to enhance three dimensional depth imaging in place or in addition to enlarging the field of view. Different processing algorithms may be applied to the signals of detectors **91**, **92** to provide additional information at regions from which both polarization types are detected. Illumination source **85** for polarization multiplexing may be non-polarized (with separation to polarization component being carried out optically), or polarized and have both components.

[0077] **Figures 5B** and **5C** schematically illustrate embodiments for optical elements **140**, **150** at fiber tip **101**, namely an angle deflecting element **150** (e.g., a prism) and an imaging optical element **140** (**Figure 5B**) and a combined configuration with a faceted GRIN lens **140** (**Figure 5C**).

[0078] In certain embodiments, certain parts of FOV may be imaged by different optical elements **140** (and respective cores **115**) to enable optical triangulation, i.e., distance measurement from tip **101** and the tissue region. Such embodiments allow to trade-off FOV with depth information and thus dynamically allocate imaging resources (e.g., FOV - Field of View, DOF - Depth of Field) according to situation dependent needs. In certain embodiments, different polarizations may be used by different optical elements **140** imaging the same region, so that using polarization enhances depth information instead or in addition to extending the FOV (as explained above). Dynamic variation of polarization may be used to modify the optical performance of fiber **100** during operation. In certain

embodiments, different wavelengths may be used by different optical elements **140** imaging the same region, so that using wavelength multiplexing (e.g., using a tunable laser as explained above) enhances depth information instead or in addition to extending the FOV (as explained above). Dynamic variation of color allocation may be used to modify the optical performance of fiber **100** during operation. For example, multiple laser sources having different wavelengths may be used as illumination source **85**, e.g., four channels, three of which used to yield color imaging and the fourth used to derive image depth information via triangulation computation. In certain embodiments, the wavelength used for the fourth channel may be identical to the wavelength used in one of the other three channels to facilitate or simplify the triangulation computation.

[**0079**] In certain embodiments, endoscope **105** may be configured to use at least one non-imaged wavelength range, selected to provide additional depth of field or field of view information. In certain embodiments, polarization, wavelength or spatial multiplexing may be used to image a tissue region from different directions, to enable stereoscopic vision of the tissue region. Processor **99** may be configured to derive and provide stereo-imaging.

[**0080**] In certain embodiments, endoscope **105** may be configured to provide two or more levels of resolution, allow balancing field of view information and depth of field information, or allow balance between any other image parameters by adapting the illumination and/or the image processing procedure disclosed herein.

[**0081**] **Figures 6A and 6B** are high level schematic illustration of fiber cross sections with different configurations of the cores, according to some embodiments of the invention. **Figure 6C** illustrates comparative experimental results of full core and hollow core fibers, according to some embodiments of the invention.

[**0082**] The configuration of the cores (dimension, material, interspaces) may be designed to reduce crosstalk between cores **115** and to be less affected by its banding. For example, crosstalk reduction may be achieved in the fabrication process by generating physical barriers between the cores or by using anti-crosstalk layer(s). Core spacing may be selected to reduce crosstalk between adjacent cores **115** below a specified threshold. For example, crosstalk may be reduced by spacing the cores (e.g., by at least  $4\mu$  between cores) and by increasing the refraction index difference between the cores and the cladding. The cores may be interspaced by structures such as air holes or doped polymer material (e.g., with incorporated nanoparticles). Cores **115** may be hollow, made of polymer material and/or include nanoparticles to control the refractive index. In certain embodiments, contrast may be enhanced by placing the hardware with the external holes array. In

certain embodiments, an optical element (e.g., optical element **94**) may be added between the output at the proximal end of fiber **100** and the imaging system and configured to block the output coming from cladding **113** thus transferring only the information going out from optical cores **115**. The optical element may comprise an intensity mask having a value of one for all core locations and a value of zero for all cladding locations to make all and only information from the cores to propagate to detector **91**.

[**0083**] In certain embodiments, the difference in the refraction index between cores **115** and cladding **113** may be designed to be large enough, and/or intermediate elements **111** may be introduced to reduce interaction between radiation propagating in different cores **115**. Core **115** and/or cladding **113** and/or elements **111** may comprise polymer with incorporated nanoparticles. Due to plasmonic resonance of the nanoparticles at specific wavelengths an effective increased refraction index may be obtained for the doped material. The specific wavelengths may be selected to be close to wavelength bands (e.g., within a few nm, e.g.,  $\pm 5\text{nm}$  at most) of illumination source **85** (e.g., three or four color lasers). It is noted that as both the plasmonic resonance and the bandwidth of illumination lasers are narrow, they may be matched to yield an effectively increased refractive index by the nanoparticles at the illumination wavelengths.

[**0084**] In certain embodiments, hollow cores through which no light coupling is obtained may be interlaced as intermediate elements **111** between cores **115** (see **Figure 6A**). Hollow cores **111** may be used to reduce the effective refraction index difference between light conducting solid cores **115** and their surrounding medium **113**.

[**0085**] In certain embodiments, cores **115** may be hollow (**Figure 6B**) and be isolated by doped or non-doped solid polymer. Hollow cores **115** (air holes) were shown to very significantly reduce material losses (**Figure 6C**) and are thus exceptionally advantageous when using polymer fibers **100** which are characterized by relatively large losses compared to glass fibers. The main advantage of polymer fibers is their flexibility, enable strong bending which is required under certain endoscope applications (e.g., treating kidney stones as presented above).

[**0086**] Fiber materials (for cladding **113** and intermediate elements **111** if any) and doping may be selected according to the required refractive indices and mechanical properties of fiber **100**, and may comprise various types of biocompatible (or not biocompatible, e.g., in non-medical uses) polymers, possibly doped with nanoparticles to influence the refractive indices. Either or both illumination wavelength ranges and types of nanoparticles may be selected to optimize the changes in the refractive indices to optimize the radiation transfer through the cores. In any of the embodiments,

core diameter  $D_1$ , diameter of intermediate elements  $D_2$  and distance between cores  $L$  may be configured to achieve specified optical performance parameters.

[0087] **Figure 7** is a high level schematic flowchart illustrating a method **200**, according to some embodiments of the invention. Data processing stages and control stages may be implemented by respective processors and algorithms may be implemented by respective computer program product(s) comprising a computer usable medium having computer usable program code tangibly embodied thereon, the computer usable program code configured to carry out at least part of the respective stages.

[0088] Method **200** comprises configuring an endoscope from a fiber with at least several hundred cores (stage **210**), e.g., having a multi-core imaging region or a multi-core tip configured to deliver reflected illumination along the fiber for an external detector. Method **200** may comprise implementing near-field imaging (target imaging at the fiber tip) (stage **212**) and/or implementing far-field imaging (Fourier plane at the fiber tip) (stage **214**).

[0089] In certain embodiments, method **200** may comprise configuring an endoscope from a plurality of fibers, grouped together, each having at least one hundred cores distributed at a fill factor smaller than  $\frac{1}{4}$ , or even below  $\frac{1}{9}$ , and at least one photonic illumination fiber, implementing three dimensional sensing by handling the cores group-wise with respect to radiation delivered therethrough, implementing super-resolved imaging by micro scanning over a pitch distance between the cores, and configuring at least one optical element at a distal tip of the fibers to enhance a field of view and/or a depth of field of the endoscope beyond a region facing a tip of the fibers and congruent thereto.

[0090] Method **200** may comprise at least one of the following stages for reducing losses and/or cross talk between cores: incorporating in the cladding, nanoparticles with plasmonic resonances that are in proximity to illumination (and imaging) wavelengths (stage **220**); interspacing cores by intermediate elements (possibly incorporating nanoparticles) having a different refractive index than the cores (stage **230**), e.g., by 0.1; interspacing cores by air holes (stage **235**) and configuring cores as air holes (stage **240**), and may comprise reducing crosstalk between adjacent cores by interspacing them (stage **245**).

[0091] In certain embodiments, method **200** may further comprise incorporating one or more void(s) in the fiber as working channel(s) for treatment, suction and/or illumination (stage **250**).

[0092] In certain embodiments, method **200** may further comprise splitting treatment and/or illumination into several fibers operating collectively (stage **260**) and/or incorporating additional

fibers at the periphery of the fiber or of the void(s) (stage 265). Method 200 may comprise cooling incorporated fibers through the working channel (stage 267). In certain embodiments, method 200 may further comprise controlling treatment and/or suction optically or automatically using optical input during the treatment (stage 270), and treating bodily stones by the endoscope, e.g., kidney stones with an ureteroscope configuration (stage 275).

[0093] Method 200 may further comprise using lens-less configurations, without any distal optical elements (stage 277) and/or using distal optical elements to control the field of view, the depth of field, implement image multiplexing and/or determine imaging parameters (stage 282), for example by attaching or producing optical element(s) at the fiber tip (stage 280). Method 200 may comprise enhancing the field of view and/or the depth of field of the endoscope beyond a region facing the tip of the fibers and congruent thereto (stage 285). Method 200 may comprise configuring the optical element(s) to image void-facing areas (stage 290), for example, using a lens with blocked aperture (stage 292); using multiple prisms which optically communicate with the cores (stage 295) and configuring the prisms to image void-facing areas (stage 300), e.g., associating each prism with one or more cores (stage 305); imaging void-facing areas using different polarization, wavelength, wavelength range and/or timing of the illumination (stage 310), in the former using birefringent optical elements for polarization multiplexing (stage 315).

[0094] In certain embodiments, method 200 may further comprise implementing super-resolution algorithms (on the detected radiation) to enhance resolution, field of view and/or depth of field (stage 320).

[0095] In certain embodiments, method 200 may further comprise any of: distributing the cores irregularly (with respect to detector pixel order) over the tip cross section (stage 332), distributing the cores at a small fill factor (stage 334), and implementing micro-scanning of the region facing the tip (stage 336). In certain embodiments, method 200 may comprise enhancing images by optimizing pixel focus over different tip positions (stage 338), for example by selecting the best focus for each pixel from a plurality of images captured at different tip positions, and composing an enhanced image from the pixels at their selected best focus.

[0096] In certain embodiments, method 200 may comprise handling the cores groupwise, possibly with dynamic allocation of cores to groups, to implement wavefront sensing by each group (stage 340). Method 200 may comprise implementing light field sensing. i.e., comparing light directions at different cores operating in near field and multi mode.

[0097] In certain embodiments, method **200** may further comprise using non-imaged wavelengths to provide additional field of view and/or depth of field information (stage **350**). Method **200** may comprise collecting diagnostic data using, possibly non-imaged, diagnostic wavelength ranges (stage **360**). In any of the embodiments, method **200** may comprise configuring the endoscope as a laparoscope or an ureteroscope (stage **370**).

[0098] Method **200** may further comprise producing the fiber from standardized fiber modules (stage **380**). In certain embodiments, method **200** comprises packaging the fiber modules into desired fiber cross section forms or configurations (stage **382**). Method **200** may comprise modifying the spatial relations of the fiber modules along the fiber (stage **385**), e.g., to have a circumferential arrangement of fiber modules at the distal tip and a compact arrangement of fiber modules at the proximal tip of the fiber.

[0099] In certain embodiments, method **200** may further comprise applying conductive coatings to some fiber modules, with other fiber modules as insulators (stage **387**), e.g., for delivering electromagnetic energy to the fiber tip via the conductive coating, e.g., for heating the fiber tip (stage **390**), elements associated with the fiber tip and/or a surroundings of the fiber tip.

[00100] **Figures 8A-8E** are high level schematic illustrations of experimental imaging results for bundled fibers, according to some embodiments of the invention. The imaging configuration is illustrated schematically in **Figure 1B**. The presented results represent raw data, prior to the application of the image processing algorithms described above. **Figures 8A-8C** illustrate the imaging of three different targets using a two by two bundled fiber (as evident in the four sub-images, each received from one fiber module, having a side of  $450\mu$  and ca. 23,000 cores per fiber module). The targets are respectively a resolution target, characters (person and doll) and an anatomy model. **Figure 8D** illustrates imaging by a single multicore fiber, 1.8mm in diameter having ca. 500,000 cores. Both configurations achieve very high resolution which is unattainable by current fibers. **Figure 8E** illustrates a result achieved by applying image enhancement algorithms applied on the captured image.

[00101] In the above description, an embodiment is an example or implementation of the invention. The various appearances of "one embodiment", "an embodiment", "certain embodiments" or "some embodiments" do not necessarily all refer to the same embodiments.

[00102] Although various features of the invention may be described in the context of a single embodiment, the features may also be provided separately or in any suitable combination.

Conversely, although the invention may be described herein in the context of separate embodiments for clarity, the invention may also be implemented in a single embodiment.

[00103] Certain embodiments of the invention may include features from different embodiments disclosed above, and certain embodiments may incorporate elements from other embodiments disclosed above. The disclosure of elements of the invention in the context of a specific embodiment is not to be taken as limiting their use in the specific embodiment alone.

[00104] Furthermore, it is to be understood that the invention can be carried out or practiced in various ways and that the invention can be implemented in certain embodiments other than the ones outlined in the description above.

[00105] The invention is not limited to those diagrams or to the corresponding descriptions. For example, flow need not move through each illustrated box or state, or in exactly the same order as illustrated and described.

[00106] Meanings of technical and scientific terms used herein are to be commonly understood as by one of ordinary skill in the art to which the invention belongs, unless otherwise defined.

[00107] While the invention has been described with respect to a limited number of embodiments, these should not be construed as limitations on the scope of the invention, but rather as exemplifications of some of the preferred embodiments. Other possible variations, modifications, and applications are also within the scope of the invention. Accordingly, the scope of the invention should not be limited by what has been described, but by the appended claims and their legal equivalents.

## CLAIMS

What is claimed is:

1. An endoscope having a distal tip and a proximal tip, the endoscope comprising:
  - at least one fiber module comprising at least one hundred cores distributed at a fill factor smaller than 1/4,
  - at least one optical element, in optical communication with the cores, at the distal tip, and a detector, in optical communication with the cores, at the proximal tip;
  - wherein the endoscope is configured to implement super-resolved imaging by micro scanning over a pitch distance between the cores, and
  - wherein the endoscope is configured to at least one of:
    - implement three dimensional sensing by handling the cores group-wise with respect to radiation delivered therethrough,
    - enhance, by configuring the at least one optical element, a field of view of the endoscope beyond a region facing the cores at the distal tip, and
    - enhance, by configuring the at least one optical element, a depth of field of the endoscope beyond a region congruent to the distal tip.
2. The endoscope of claim 1, configured to have a Young's modulus smaller than 10 GPa and to be disposable.
3. The endoscope of claim 1, wherein the at least one optical element comprises a plurality of prisms set according to specified field of view and depth of field requirements, the prisms set directly on the distal tip or on lenses attached to the distal tip.
4. The endoscope of claim 1, wherein the plurality of fibers are grouped together into a plurality of fiber modules which are arranged modularly.
5. The endoscope of claim 4, wherein each fiber module comprises more than 10,000 cores and has a diameter of less than 1mm.
6. The endoscope of claim 4, wherein the endoscope comprises at least three fiber modules and further comprising at least two conductive coating applied to at least two corresponding non-adjacent fiber modules, wherein the endoscope is configured to enable delivering electromagnetic energy via the conductive coatings to the distal tip for heating and defogging the distal tip.

7. The endoscope of claim 1, further comprising at least one photonic illumination fiber configured to deliver illumination to the distal tip of the endoscope, or a LED light source located at the distal tip.
8. The endoscope of claim 7, wherein the at least one photonic illumination fiber is configured to illuminate one part of the region facing the tip differently from another part of the region facing the tip, wherein the difference lies in at least one of: polarization, wavelength, wavelength range and timing of the illumination.
9. The endoscope of claim 1, further comprising at least one void going through the endoscope and configured as a working channel that enables an introduction at a distal tip of the endoscope of at least one of: at least one illumination element, at least one treatment element and suction according to imaging input during treatment.
10. The endoscope of claim 9, wherein the at least one optical element comprises at least one of a lens having at least one blocked aperture and a plurality of prisms, configured to deliver radiation from a void-facing area to the cores, wherein the prisms are set directly on the distal tip or on one or more lens attached to the distal tip.
11. The endoscope of claim 9, configured as an urethroscope.
12. The endoscope of claim 1, wherein the cores are distributed irregularly at a cross section of the distal tip with respect to a pixel distribution of the detector.
13. The endoscope of claim 1, wherein the cores are handled group-wise to implement each group as a wavefront sensor.
14. The endoscope of claim 1, wherein a core spacing is selected to reduce crosstalk between adjacent cores below a specified threshold.
15. The endoscope of claim 1, further comprising elements that have a different refractive index from the cores.
16. The endoscope of claim 1, further configured to use at least one non-imaged wavelength range, selected to provide at least one of: extended field of view, extended depth of field and specified diagnostic data.
17. The endoscope of claim 1, configured as a laparoscope.
18. A method comprising:
  - configuring an endoscope from at least one fiber module comprising at least one thousand cores distributed at a fill factor smaller than 1/4,

implementing super-resolved imaging by micro scanning over a pitch distance between the cores,

implementing three dimensional sensing by handling the cores group-wise with respect to radiation delivered therethrough, and

configuring at least one optical element at a distal tip of the endoscope to enhance at least one of a field of view and a depth of field of the endoscope beyond a region facing a tip of the fibers and congruent thereto.

19. The method of claim 18, further comprising configuring the endoscope modularly from a plurality of the fiber modules.
20. The method of claim 18, further comprising configuring optical elements at the distal tip to provide specified field of view and depth of field requirements.
21. An endoscope having a distal tip and a proximal tip, the endoscope comprising:
  - a plurality of fiber modules, each comprising at least one thousand cores distributed at a fill factor smaller than 1/4, and
  - a detector, in optical communication with the cores, at the proximal tip;
  - wherein the endoscope is configured to implement super-resolved imaging by micro scanning over a pitch distance between the cores, and three dimensional sensing by handling the cores group-wise with respect to radiation delivered therethrough, and
  - wherein the endoscope is configured to have a Young's modulus smaller than 10 GPa and to be disposable.
22. An endoscope comprising a fiber comprising a large plurality of at least one hundred cores and is made of at least one polymer.
23. The endoscope of claim 22, wherein a cladding surrounding the cores comprises nanoparticles having plasmonic resonances at wavelengths that are  $\pm 5\text{nm}$  with respect to illumination wavelengths through the fiber.
24. The endoscope of claim 22, wherein at least some of the cores are interspaced by intermediate elements having a different refractive index from the core.
25. The endoscope of claim 24, wherein the intermediate elements are air holes.
26. The endoscope of any one of claims 22-25, wherein at least some of the cores are air holes.
27. The endoscope of any one of claims 22-26, wherein the fiber comprises at least one void configured as a working channel going through the fiber.

28. The endoscope of claim 27, wherein the void is eccentrically positioned at a tip cross section of the fiber.
29. The endoscope of claim 27, wherein the working channel is configured to introduce at a fiber tip at least one of: at least one illumination element, at least one treatment element and suction.
30. The endoscope of claim 27, wherein the fiber comprises at least one treatment fiber at a periphery of the at least one void.
31. The endoscope of any one of claims 22-26, wherein the fiber comprises at least one treatment fiber therewithin.
32. The endoscope of any one of claims 22-26, wherein the fiber comprises at least one treatment fiber at a periphery thereof.
33. The endoscope of any one of claims 30-32, wherein the fiber comprises at least one respective groove configured to receive the at least one treatment fiber.
34. The endoscope of any one of claims 30-33, wherein the at least one treatment fiber comprises a plurality of treatment fibers configured to apply a treatment collectively.
35. The endoscope of claim 27, wherein the working channel is configured to introduce at a fiber tip at least one treatment element and suction, and the endoscope is configured to control at least one of a treatment and the suction according to imaging input during treatment.
36. The endoscope of claim 35, wherein the at least one treatment element comprises a plurality of treatment fibers integrated within the fiber.
37. The endoscope of claim 36, wherein at least some of the treatment fibers are positioned at a periphery of the at least one working channel and are operated to apply the treatment collectively.
38. The endoscope of any one of claims 35-37, configured as an ureteroscope for treating kidney stones.
39. The endoscope of claim 27, wherein the fiber further comprises at least one optical element at a proximal tip of the fiber, configured to generate an image of a region facing the tip which includes an area facing the at least one void.
40. The endoscope of claim 39, wherein the at least one optical element is a lens having at least one blocked aperture corresponding to the at least one void.
41. The endoscope of claim 39, wherein the at least one optical element comprises a plurality of optical elements, each in optical communication with a respective core or group of cores.

42. The endoscope of claim 41, wherein at least some of the optical elements are prisms configured to deliver radiation from the void-facing area to the cores.
43. The endoscope of claim 41, wherein an illumination source of the endoscope and at least some of the optical elements are configured to image at least a part of the area facing the at least one void differently than a rest of the region facing the tip, wherein the difference lies in at least one of: polarization, wavelength, wavelength range and timing of the illumination.
44. The endoscope of claim 43, wherein the difference lies in the polarization of the illumination and the respective optical elements are birefringent.
45. The endoscope of any one of claims 22-26, wherein the cores are distributed at a fill factor smaller than  $1/9$  and further comprising a processor configured to process into images radiation delivered from the imaging region through the cores to a detector, wherein the processor is configured to implement super-resolution algorithms on the detected radiation.
46. The endoscope of claim 45, wherein the cores are distributed irregularly at a tip cross section of the fiber with respect to a pixel distribution of the detector.
47. The endoscope of claim 45, wherein an illumination source of the endoscope is configured to illuminate at least one region facing the tip differently than another region facing the tip, wherein the difference lies in at least one of: polarization, wavelength, wavelength range and timing of the illumination.
48. The endoscope of claim 45, configured to implement micro-scanning of a region facing the tip.
49. The endoscope of claim 45, wherein the cores are handled by the processor group-wise with respect to the radiation delivered therethrough, to implement each group as a wavefront sensor.
50. The endoscope of claim 49, wherein an allocation of the cores to the core groups is carried out dynamically.
51. The endoscope of claim 45, further configured to use at least one non-imaged wavelength range, selected to provide additional field of view and/or depth of field information.
52. The endoscope of any one of claims 45-51, wherein the processor is configured to enhance at least one of a field of view and a depth of field with respect to a region facing the tip and congruent thereto.
53. The endoscope of any one of claims 22-26 or 45, wherein core spacing is selected to reduce crosstalk between adjacent cores below a specified threshold.
54. The endoscope of any one of claims 22-53, further configured to collect diagnostic data on imaged tissue by using a specified diagnostic wavelength range.

55. The endoscope of any one of claims 22-37 and 39-54, configured as a laparoscope or an ureteroscope.
56. An endoscope comprising:
- a plurality of fibers, grouped together, each having at least one hundred cores distributed at a fill factor smaller than  $1/9$ ,
  - at least one photonic illumination fiber, and
  - at least one optical element at a proximal tip of the fibers;
- wherein the endoscope is configured to implement three dimensional sensing by handling the cores group-wise with respect to radiation delivered therethrough,
- wherein the endoscope is configured to implement super-resolved imaging by micro scanning over a pitch distance between the cores, and
- wherein the at least one optical element is configured to enhance a field of view of the endoscope beyond a region facing a tip of the fibers and congruent thereto.
57. A method comprising:
- configuring an endoscope from a plurality of fibers, grouped together, each having at least one hundred cores distributed at a fill factor smaller than  $1/9$ , and at least one photonic illumination fiber,
  - implementing three dimensional sensing by handling the cores group-wise with respect to radiation delivered therethrough,
  - implementing super-resolved imaging by micro scanning over a pitch distance between the cores, and
  - configuring at least one optical element at a proximal tip of the fibers to enhance a field of view of the endoscope beyond a region facing a tip of the fibers and congruent thereto.
58. A method comprising configuring an endoscope from a fiber having an imaging region comprising a large plurality of at least one hundred cores.
59. The method of claim 58, further comprising reducing crosstalk between adjacent cores by interspacing them to reach a fill factor smaller than  $1/9$ .
60. The method of claim 58, further comprising incorporating in a fiber cladding, nanoparticles with plasmonic resonances that are in proximity to imaging wavelengths.
61. The method of claim 58, further comprising interspacing cores by intermediate elements having a different refractive index than the cores.
62. The method of claim 58, further comprising interspacing the cores by air holes.

63. The method of claim 58, further comprising configuring the cores as air holes.
64. The method of any one of claims 58-63, further comprising incorporating at least one void in the fiber as respective at least one working channel configured to apply at least one of treatment, suction and illumination.
65. The method of any one of claims 58-63, further comprising incorporating additional treatment and/or illumination fibers and operating them collectively.
66. The method of claim 64, further comprising incorporating additional treatment and/or illumination fibers at a periphery of the at least one void, operating the additional fibers, and cooling the incorporated fibers through the working channel.
67. The method of any one of claims 58-66, further comprising controlling treatment optically or automatically, using optical input during the treatment.
68. The method of any one of claims 58-67, further comprising configuring the endoscope as an ureteroscope and treating bodily stones thereby.
69. The method of any one of claims 58-63, 65-68, further comprising attaching or producing at least one optical element at a tip of the fiber.
70. The method of claim 43, further comprising attaching or producing at least one optical element at a tip of the fiber and configuring the at least one optical element to image void-facing areas by at least one of: using a lens with blocked aperture; using multiple prisms communicating with the cores and configuring the prisms to image void-facing areas; imaging void-facing areas using different polarization, wavelength, wavelength range and/or timing of an illumination delivered through the fiber.
71. The method of any one of claims 58-70, further comprising implementing super-resolution algorithms on radiation detected from the imaging region to enhance resolution, field of view and/or depth of field.
72. The method of claim 71, further comprising at least one of: distributing the cores irregularly at a fiber tip cross section with respect to detector pixel order; distributing the cores at a small fill factor; and implementing micro-scanning of the imaging region.
73. The method of any one of claims 58-72, further comprising handling the cores group-wise, possibly with dynamic allocation of the cores to groups, to implement wavefront sensing or light field sensing by each group.
74. The method claims 58, further comprising enhancing images by optimizing pixel focus over different tip positions.

75. The method of any one of claims 58-74, further comprising producing the fiber from a plurality of fiber modules.
76. The method claims 75, further comprising modifying spatial relations of the fiber modules along the fiber.
77. The method claims 75, further comprising applying conductive coatings to at least two non-adjacent fiber modules and delivering electromagnetic energy via the conductive coatings to a tip of the fiber.
78. The method of any one of claims 58-77, further comprising using non-imaged wavelengths to provide additional field of view or depth of field information.
79. The method of any one of claims 58-78, further comprising collecting diagnostic data using diagnostic wavelength ranges.
80. The method of any one of claims 58-79, further comprising configuring the endoscope as a laparoscope or an ureteroscope.

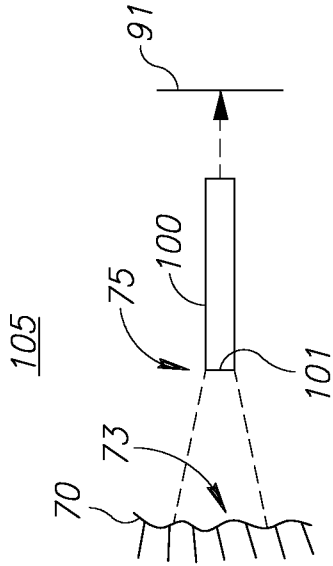


Figure 1A

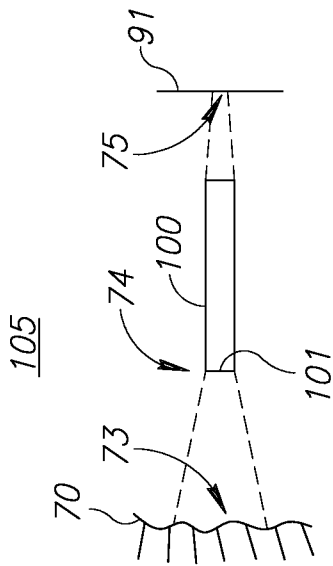


Figure 1B

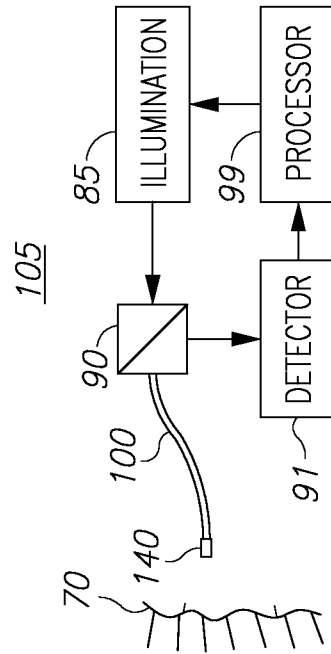


Figure 1C

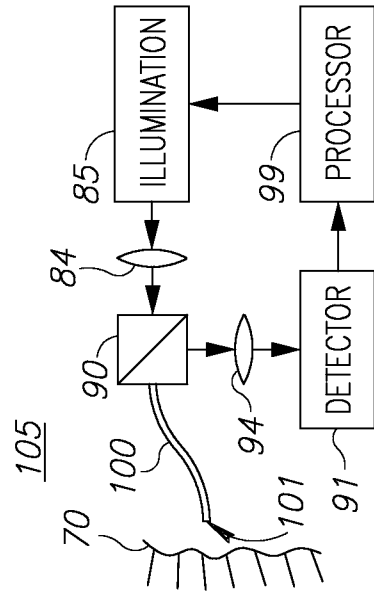


Figure 1D

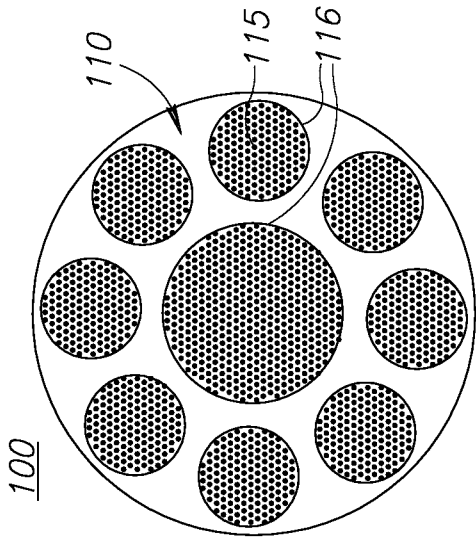


Figure 2C

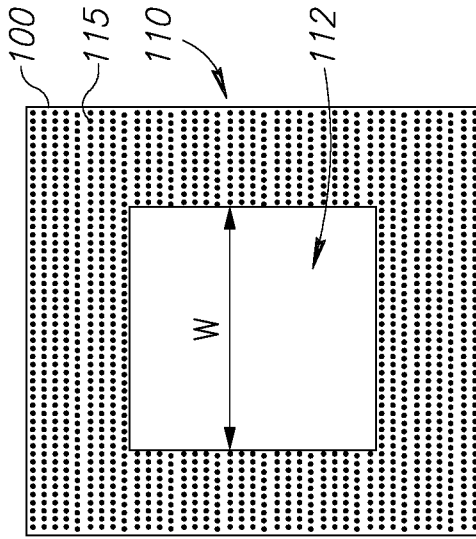


Figure 2B

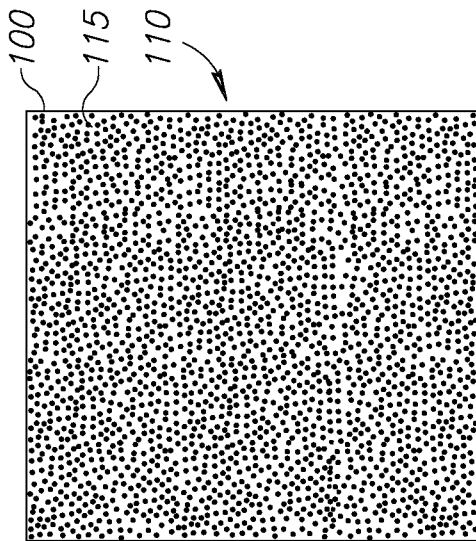


Figure 2A

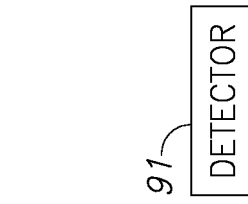


Figure 2E

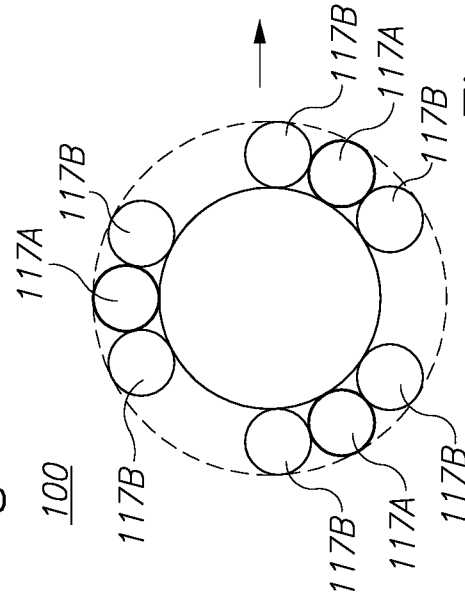


Figure 2D

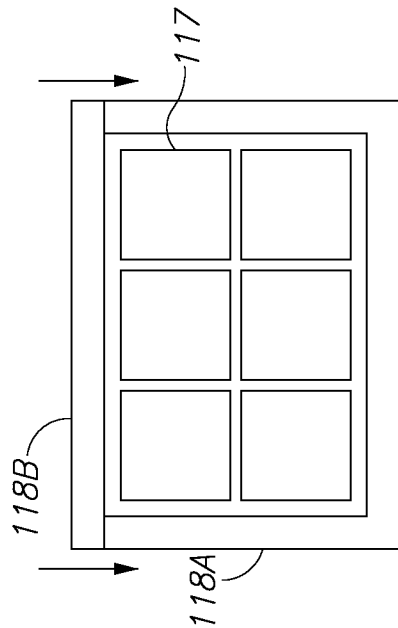


Figure 2D

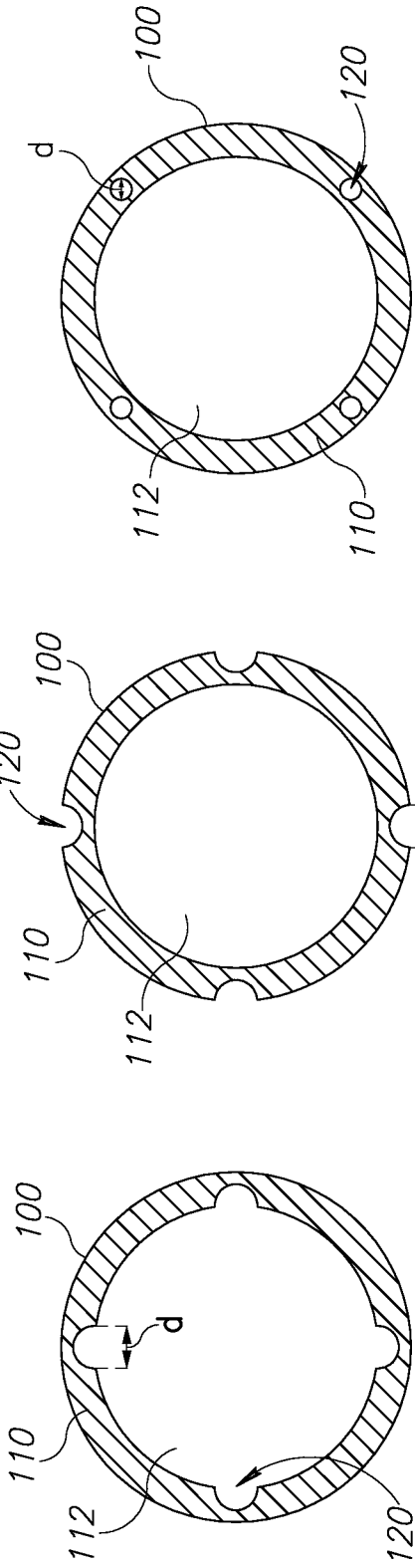


Figure 3A

Figure 3B

Figure 3C

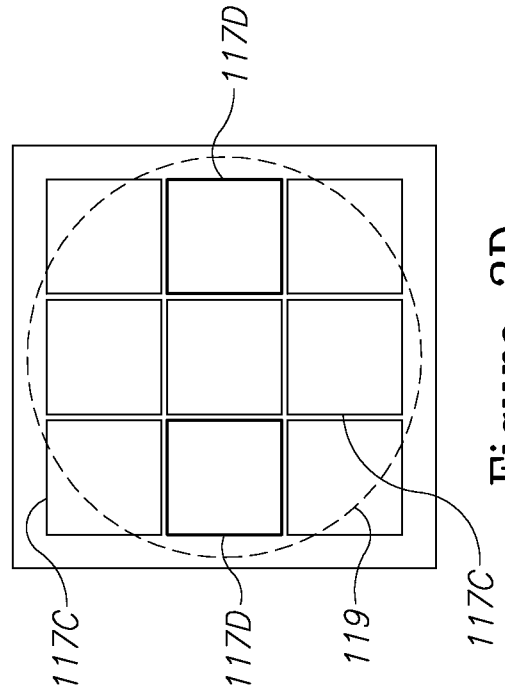


Figure 3D

100

117C

117D

119

117C

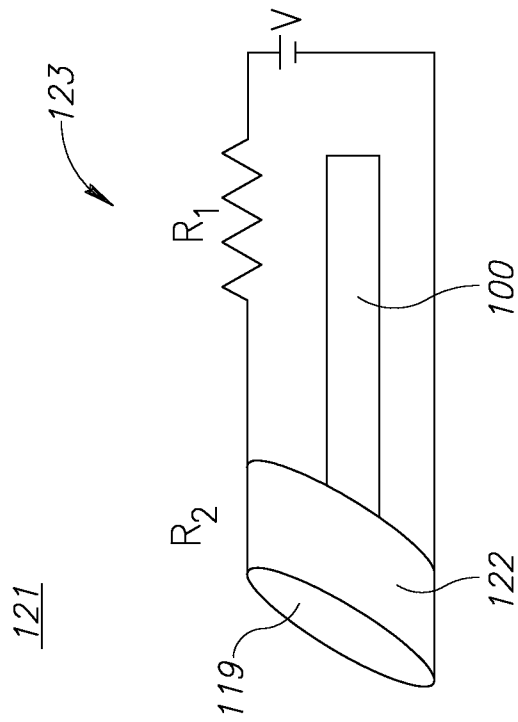
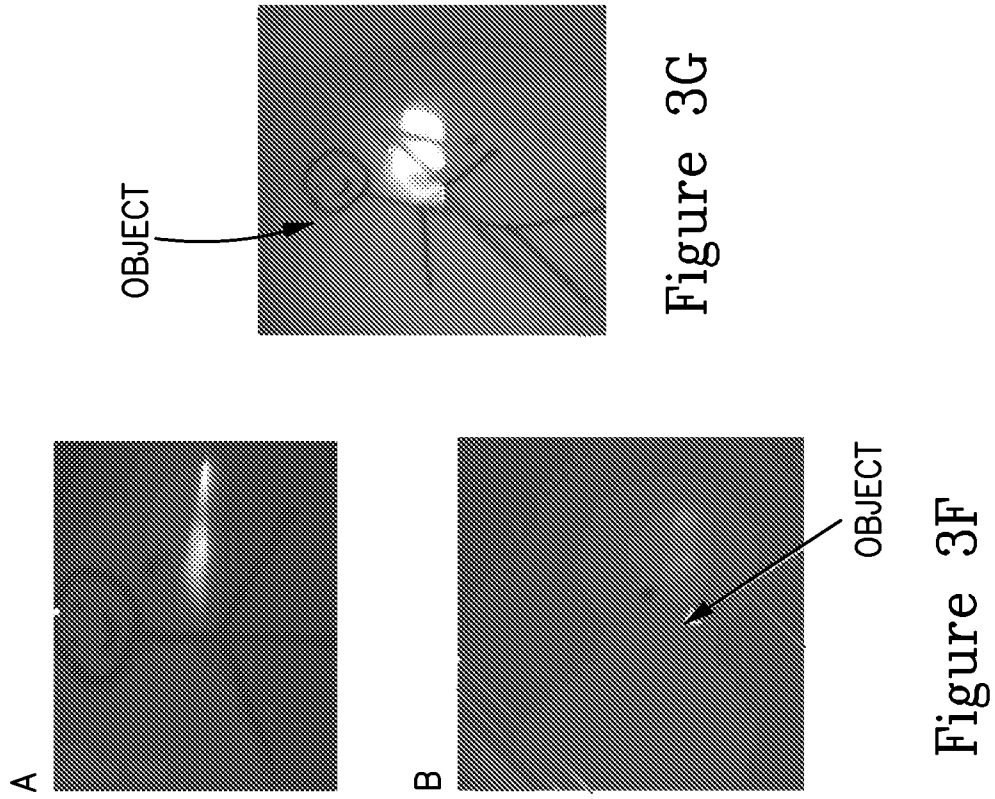


Figure 3E

Figure 3F

Figure 3G

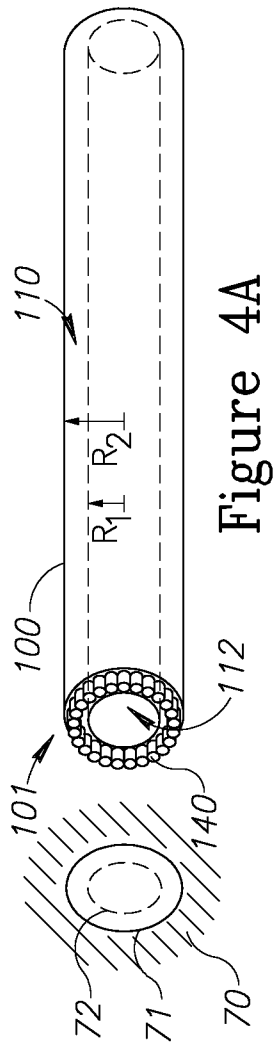


Figure 4A

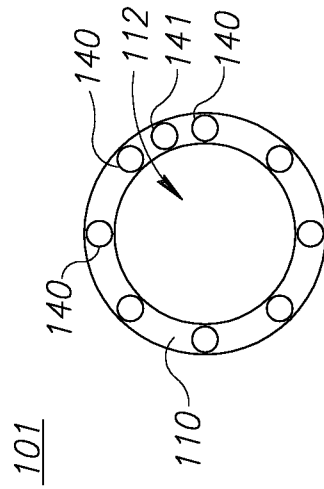


Figure 4B

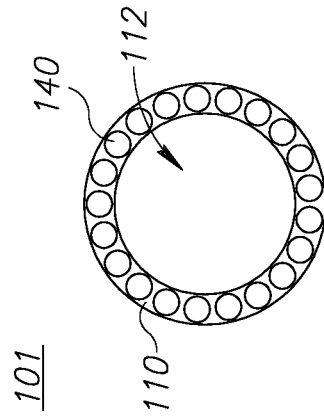


Figure 4C

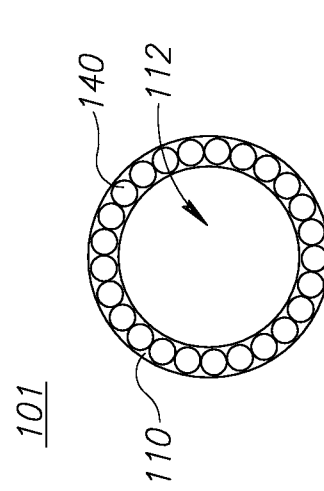


Figure 4D

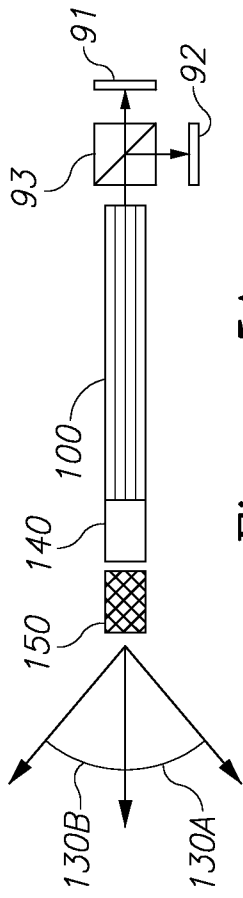


Figure 5A

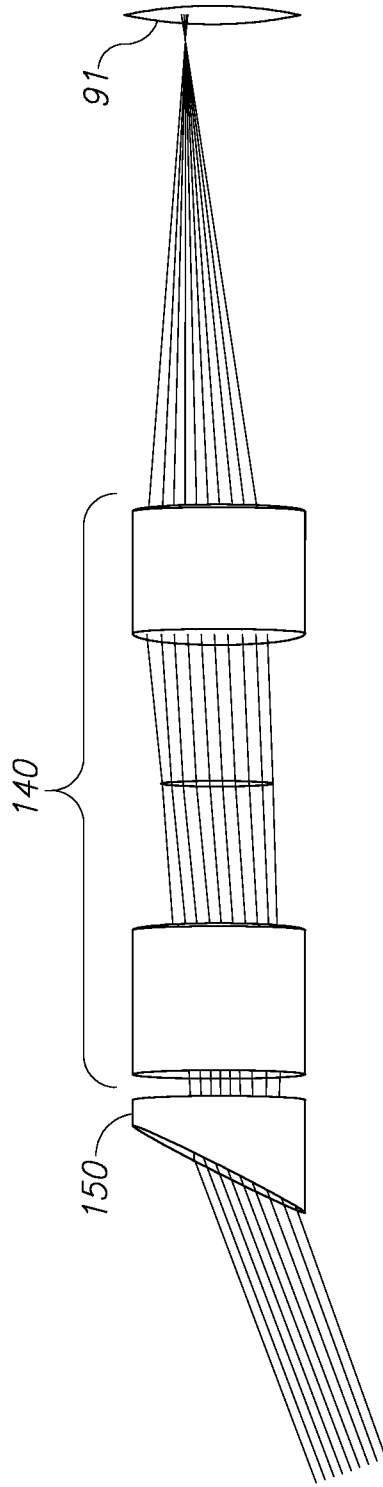


Figure 5B

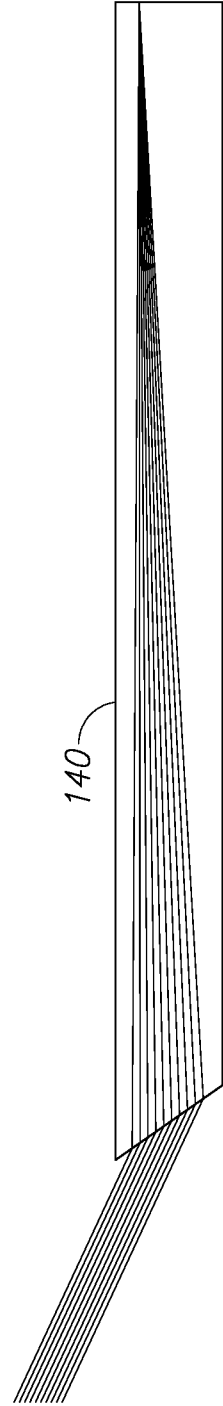


Figure 5C

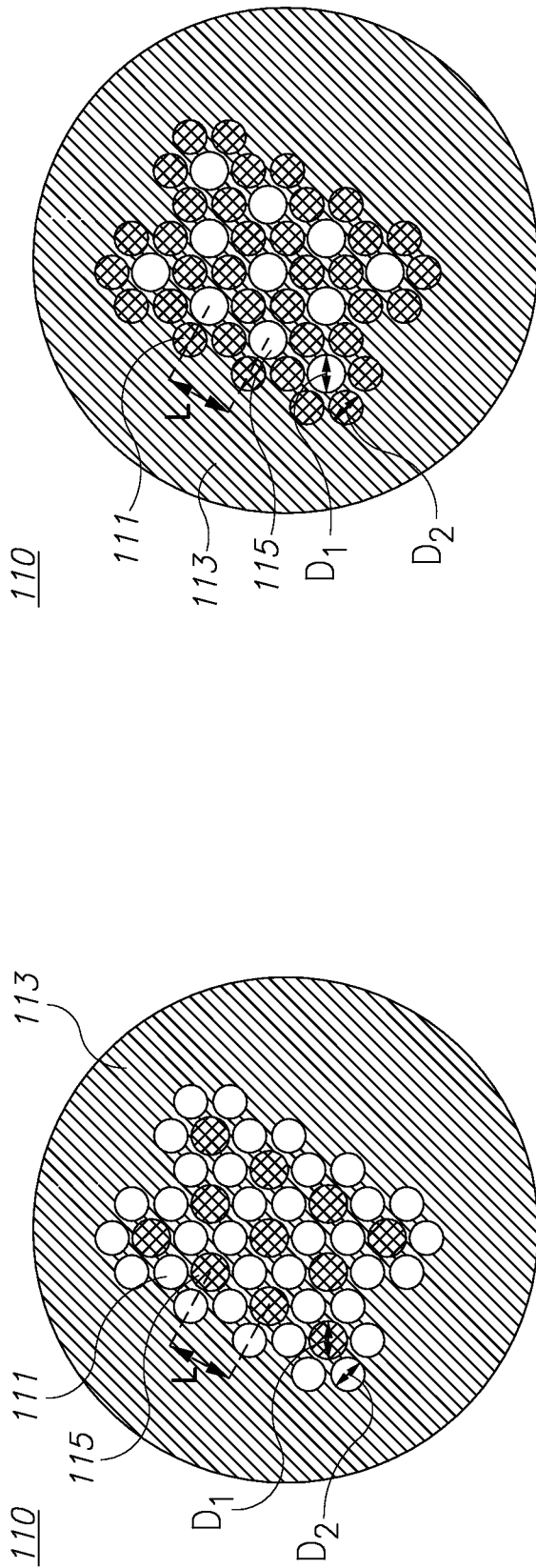


Figure 6A

Figure 6B

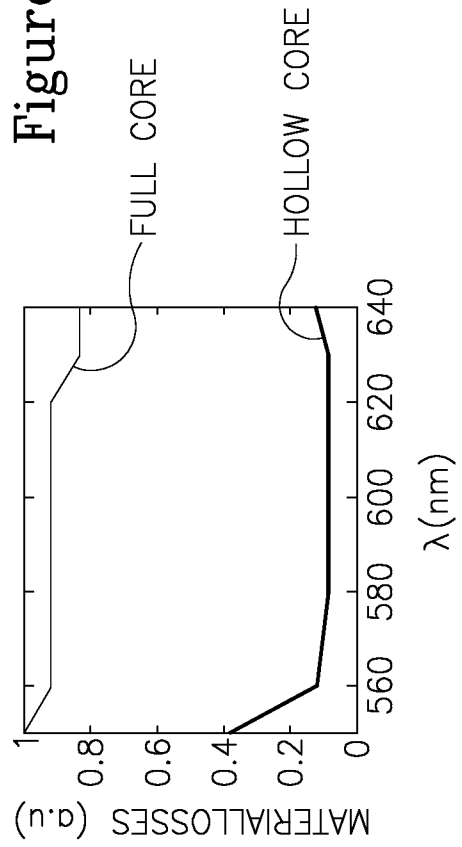


Figure 6C

8/13

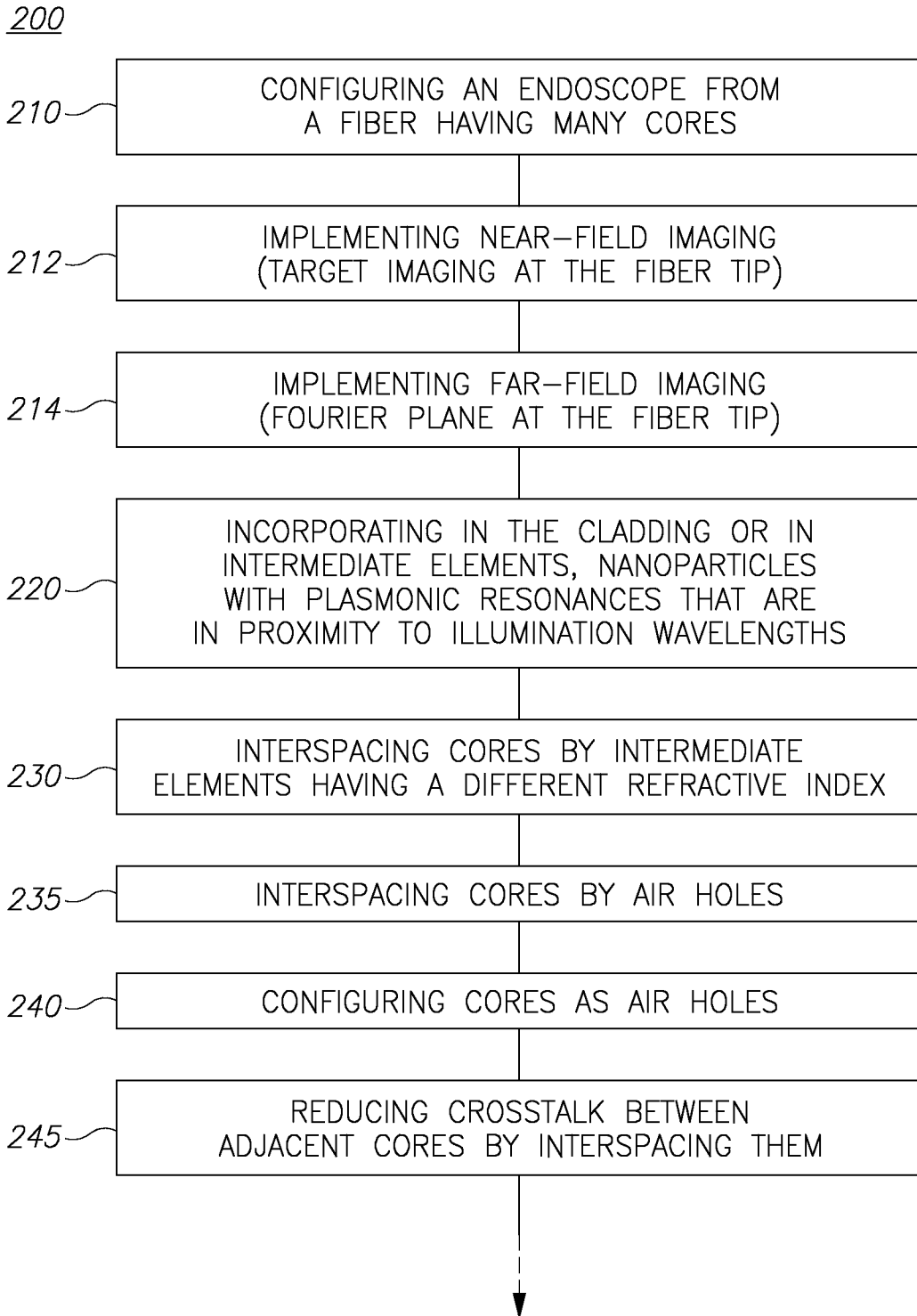


Figure 7

9/13

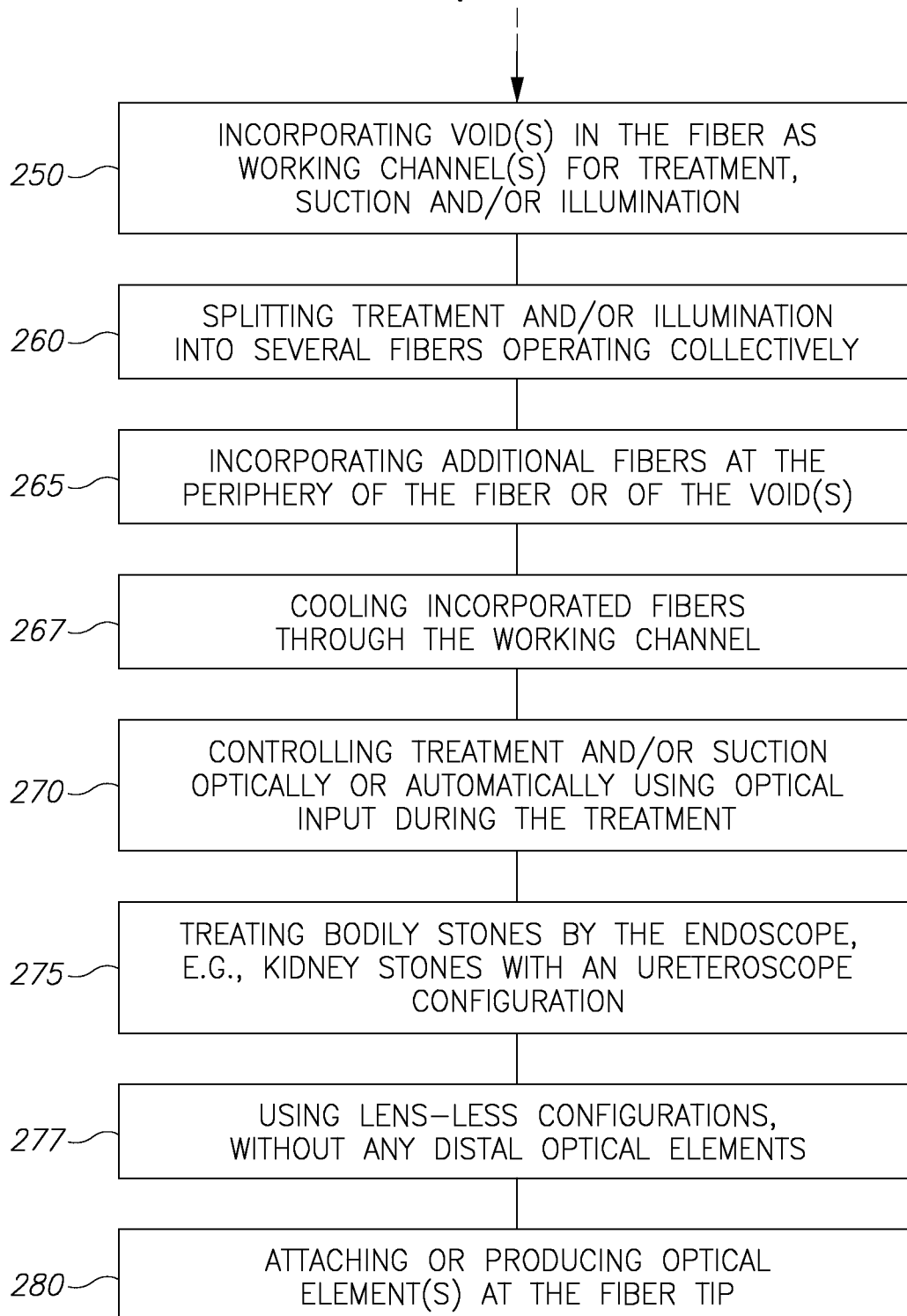
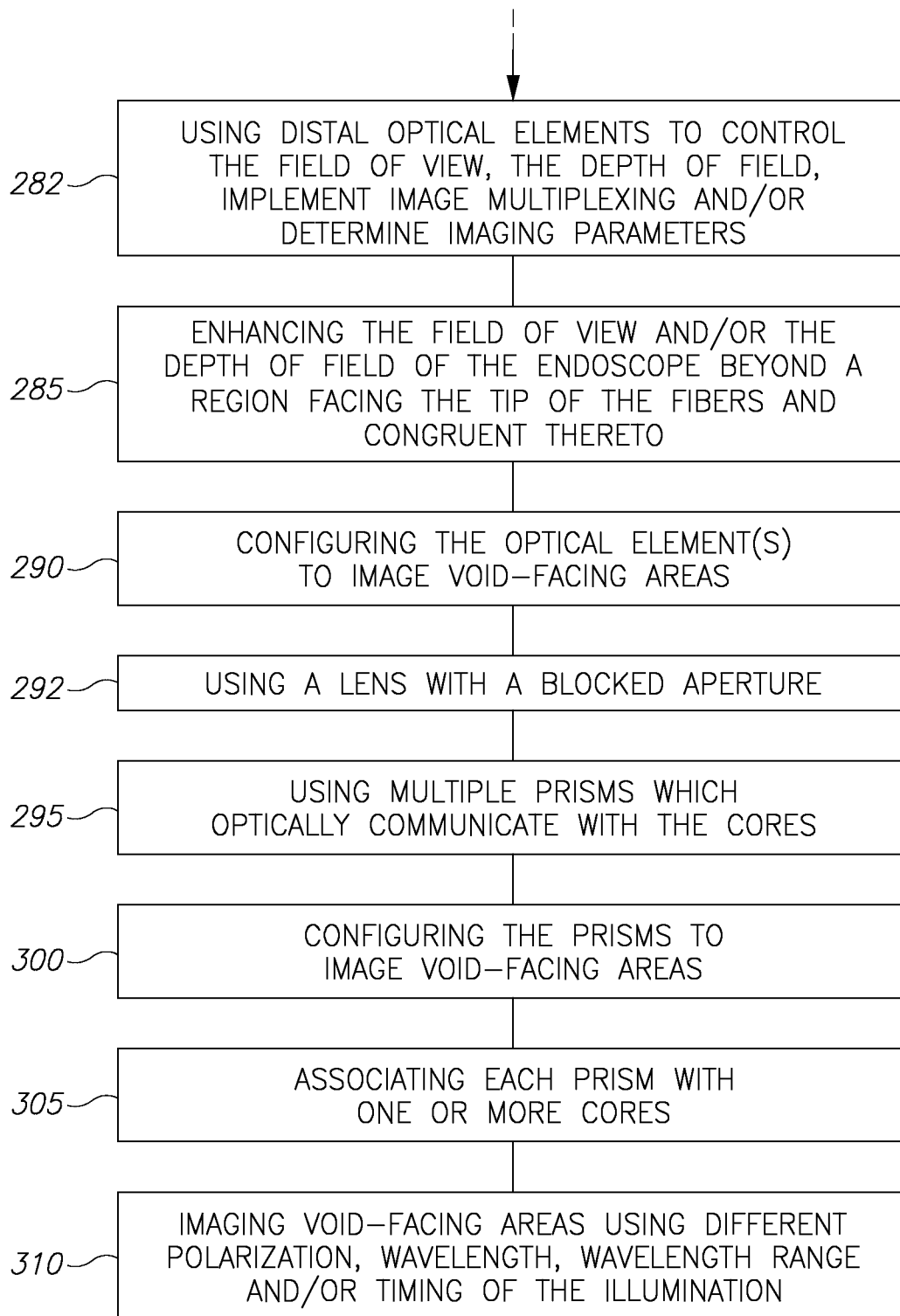


Figure 7 (cont. 1)

**10/13****Figure 7 (cont. 2)**

11/13

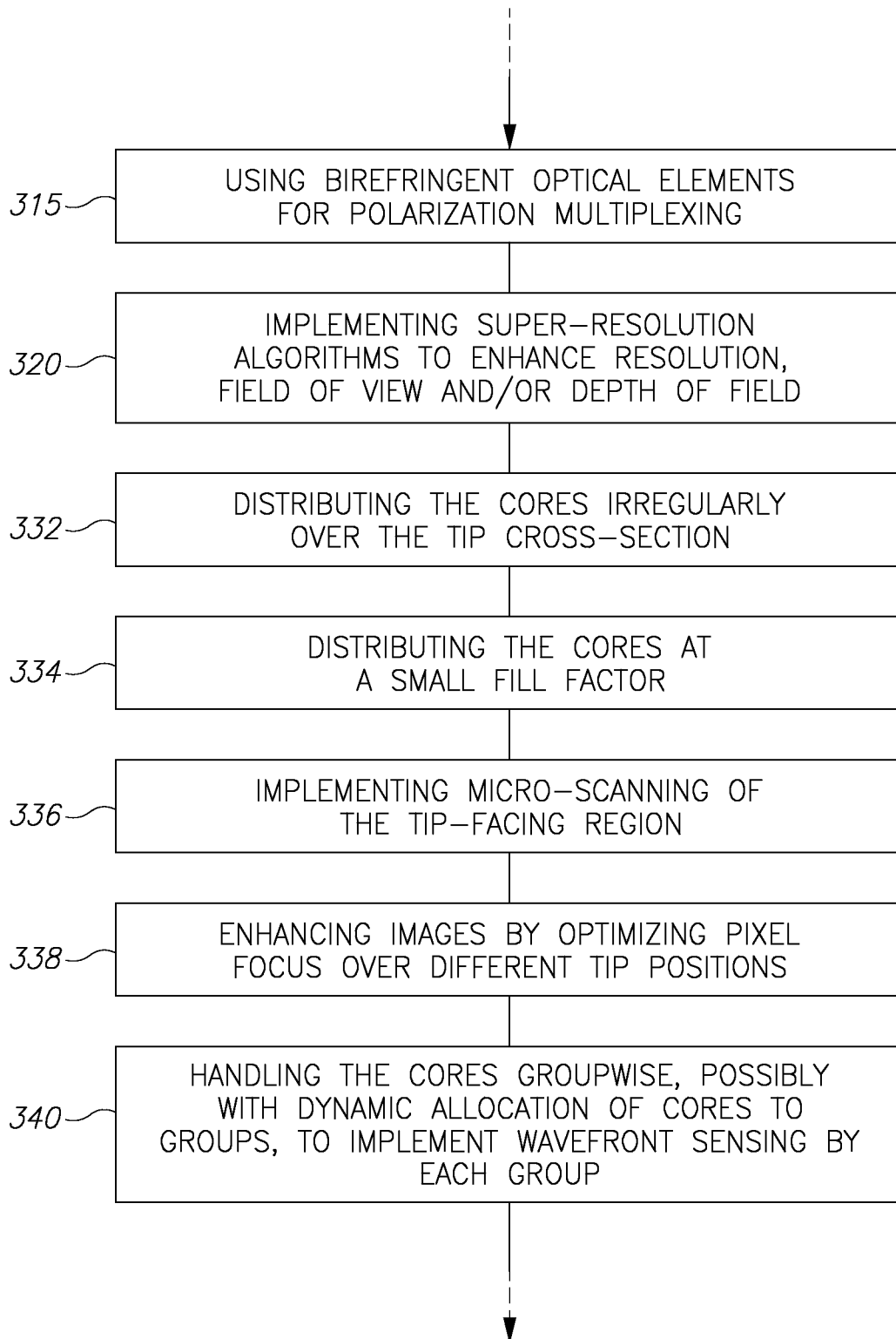


Figure 7 (cont. 3)

12/13

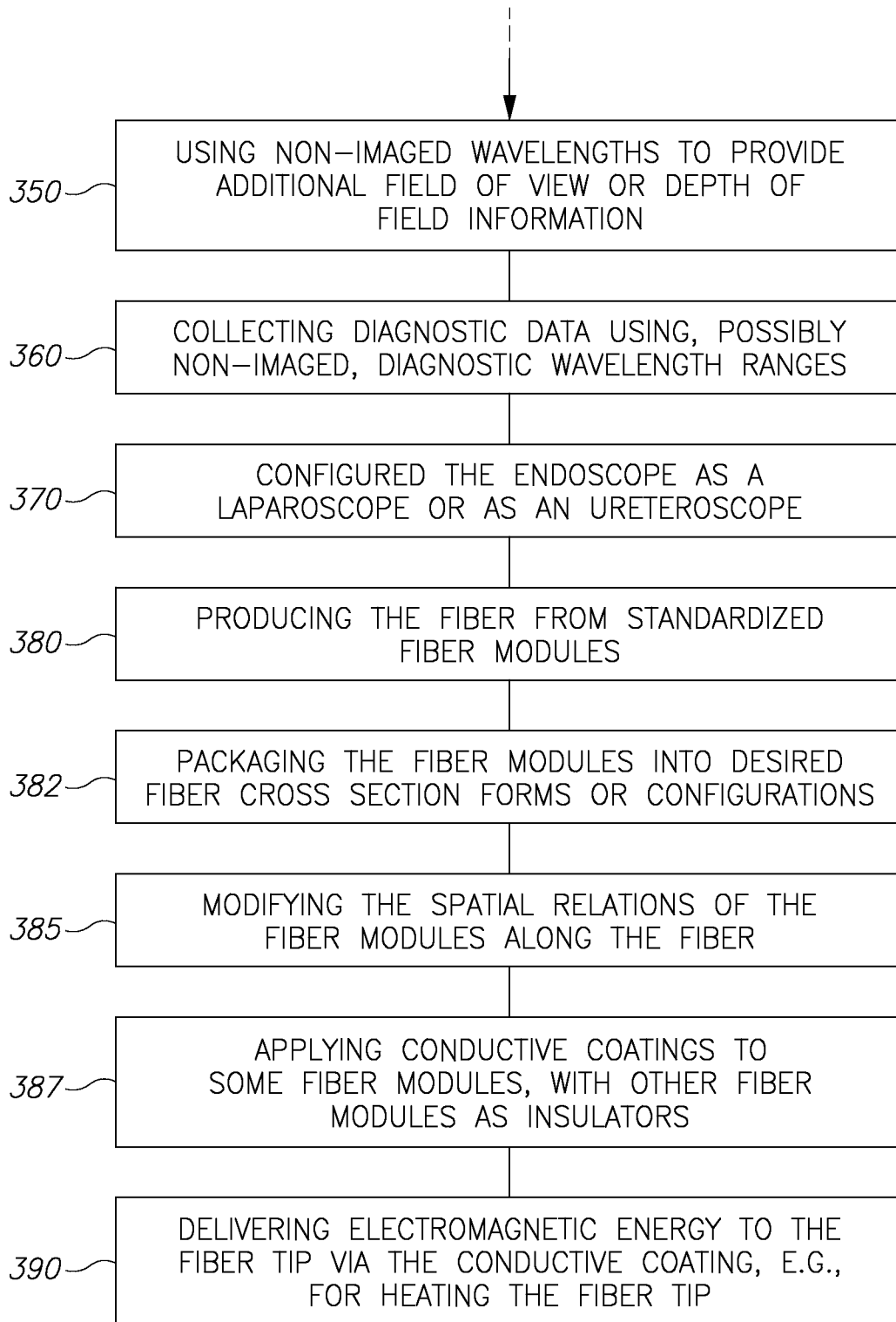


Figure 7 (cont. 4)

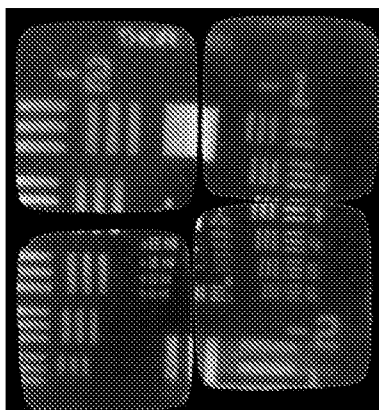


Figure 8A

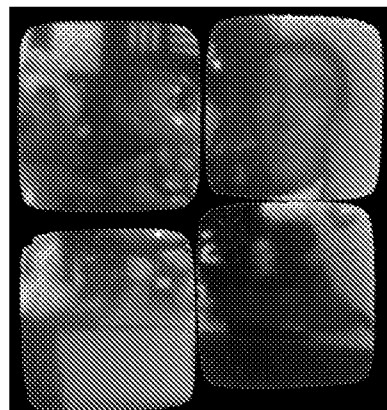


Figure 8B

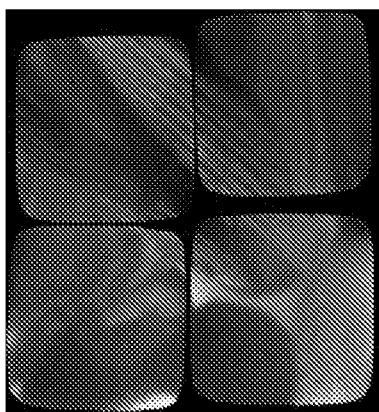


Figure 8C

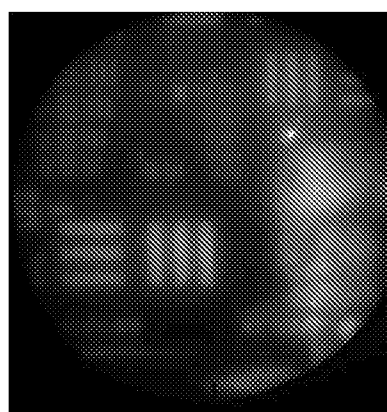


Figure 8D

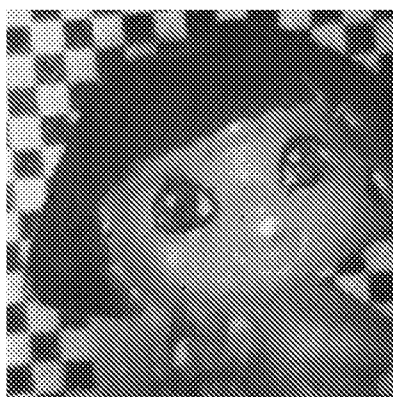


Figure 8E

## INTERNATIONAL SEARCH REPORT

International application No.

PCT/IL2015/050756

## A. CLASSIFICATION OF SUBJECT MATTER

IPC (2015.01) A61B 1/07

According to International Patent Classification (IPC) or to both national classification and IPC

## B. FIELDS SEARCHED

Minimum documentation searched (classification system followed by classification symbols)

IPC (2015.01) A61B 1/07

Documentation searched other than minimum documentation to the extent that such documents are included in the fields searched

Electronic data base consulted during the international search (name of data base and, where practicable, search terms used)

Databases consulted: Esp@cenet, Google Patents, FamPat database, PatBase

## C. DOCUMENTS CONSIDERED TO BE RELEVANT

Category*	Citation of document, with indication, where appropriate, of the relevant passages	Relevant to claim No.
X	EP 1918743 A1 KUDOU MANABU et al. 07 May 2008 (2008/05/07) The whole reference	58,59,61,68,69,75, 78-80
A	The whole reference	1-57,60,62-67,70-74, 76,77
A	US 2013278740 A1 ZALEVSKY ZEEV et al. 24 Oct 2013 (2013/10/24) The whole reference	1-80

 Further documents are listed in the continuation of Box C. See patent family annex.

\* Special categories of cited documents:

"A" document defining the general state of the art which is not considered to be of particular relevance

"E" earlier application or patent but published on or after the international filing date

"L" document which may throw doubts on priority claim(s) or which is cited to establish the publication date of another citation or other special reason (as specified)

"O" document referring to an oral disclosure, use, exhibition or other means

"P" document published prior to the international filing date but later than the priority date claimed

"T" later document published after the international filing date or priority date and not in conflict with the application but cited to understand the principle or theory underlying the invention

"X" document of particular relevance; the claimed invention cannot be considered novel or cannot be considered to involve an inventive step when the document is taken alone

"Y" document of particular relevance; the claimed invention cannot be considered to involve an inventive step when the document is combined with one or more other such documents, such combination being obvious to a person skilled in the art

"&amp;" document member of the same patent family

Date of the actual completion of the international search

29 Oct 2015

Date of mailing of the international search report

05 Nov 2015

Name and mailing address of the ISA:

Israel Patent Office

Technology Park, Bldg.5, Malcha, Jerusalem, 9695101, Israel

Facsimile No. 972-2-5651616

Authorized officer

DAVIDI Ariel

Telephone No. 972-2-5651727

**INTERNATIONAL SEARCH REPORT**  
Information on patent family members

International application No.  
PCT/IL2015/050756

Patent document cited search report	Publication date	Patent family member(s)	Publication Date
EP 1918743 A1	07 May 2008	EP 1918743 A1	07 May 2008
		CN 101178460 A	14 May 2008
		CN 101178460 B	20 Apr 2011
		JP 2008116745 A	22 May 2008
		JP 4892316 B2	07 Mar 2012
		US 2008107386 A1	08 May 2008
		US 7418178 B2	26 Aug 2008
US 2013278740 A1	24 Oct 2013	US 2013278740 A1	24 Oct 2013
		EP 2661211 A1	13 Nov 2013
		JP 2014502902 A	06 Feb 2014
		WO 2012093401 A1	12 Jul 2012

专利名称(译)	多芯光纤内窥镜		
公开(公告)号	<a href="#">EP3171753A1</a>	公开(公告)日	2017-05-31
申请号	EP2015824210	申请日	2015-07-22
[标]申请(专利权)人(译)	ZSQUARE		
申请(专利权)人(译)	ZSQUARE LTD.		
当前申请(专利权)人(译)	ZSQUARE LTD.		
[标]发明人	SHAHMOON ASAF ZLOTNIK ALEX ZALEVSKY ZEEV KREMER TAL SIGAL ZIGDON DAVID		
发明人	SHAHMOON, ASAF ZLOTNIK, ALEX ZALEVSKY, ZEEV KREMER-TAL, SIGAL ZIGDON, DAVID		
IPC分类号	A61B1/07		
优先权	62/028346 2014-07-24 US 62/119832 2015-02-24 US		
其他公开文献	EP3171753A4		
外部链接	<a href="#">Espacenet</a>		

#### 摘要(译)

提供了内窥镜，多芯内窥镜纤维以及配置和操作方法。纤维可具有数百或数千个芯，并且可能包含工作通道和附加纤维。光纤可以在不同的光学配置下使用，以捕获远端尖端处的组织和物体的图像，并增强图像的宽范围的光学特性，例如分辨率，视场，景深，波长范围等。可以在内窥镜中实现现场成像以及远场成像，并且可以利用相应的光学特征来优化成像。光学元件可以用在远端光纤尖端，或远端光纤尖端可以是无透镜的。可以实现诊断和光学治疗反馈回路，并且可以调整照明以产生全色图像，深度估计，增强的视野和/或景深，以及附加的诊断数据。