



(43) International Publication Date
27 September 2012 (27.09.2012)

- (51) International Patent Classification:
A61B 18/14 (2006.01)
- (21) International Application Number:
PCT/EP2012/054459
- (22) International Filing Date:
14 March 2012 (14.03.2012)
- (25) Filing Language: English
- (26) Publication Language: English
- (30) Priority Data:
13/070,391 23 March 2011 (23.03.2011) US
- (71) Applicant (for all designated States except US): **AESCULAP AG** [DE/DE]; Am Aesculap-Platz, 78532 Tuttlingen (DE).
- (72) Inventors; and
(75) Inventors/Applicants (for US only): **KERVER, Lawrence** [US/US]; 1810 Embarcadero Road, Suite B, Palo Alto, California 94303 (US). **WALBERG, Erik** [US/US]; 1810 Embarcadero Road, Suite B, Palo Alto, California 94303 (US). **TANG, Brian** [US/US]; 1810 Embarcadero Road, Suite B, Palo Alto, California 94303 (US). **LOUDERMILK, Brandon** [US/US]; 1810 Embarcadero Road, Suite B, Palo Alto, California 94303 (US).
- (74) Agent: **WINTER BRANDL FÜRNISS HÜBNER RÖSS KAISER POLTE - PARTNERSCHAFT**; Bavariaring 10, 80336 München (DE).

(81) Designated States (unless otherwise indicated, for every kind of national protection available): AE, AG, AL, AM, AO, AT, AU, AZ, BA, BB, BG, BH, BR, BW, BY, BZ, CA, CH, CL, CN, CO, CR, CU, CZ, DE, DK, DM, DO, DZ, EC, EE, EG, ES, FI, GB, GD, GE, GH, GM, GT, HN, HR, HU, ID, IL, IN, IS, JP, KE, KG, KM, KN, KP, KR, KZ, LA, LC, LK, LR, LS, LT, LU, LY, MA, MD, ME, MG, MK, MN, MW, MX, MY, MZ, NA, NG, NI, NO, NZ, OM, PE, PG, PH, PL, PT, QA, RO, RS, RU, RW, SC, SD, SE, SG, SK, SL, SM, ST, SV, SY, TH, TJ, TM, TN, TR, TT, TZ, UA, UG, US, UZ, VC, VN, ZA, ZM, ZW.

(84) Designated States (unless otherwise indicated, for every kind of regional protection available): ARIPO (BW, GH, GM, KE, LR, LS, MW, MZ, NA, RW, SD, SL, SZ, TZ, UG, ZM, ZW), Eurasian (AM, AZ, BY, KG, KZ, MD, RU, TJ, TM), European (AL, AT, BE, BG, CH, CY, CZ, DE, DK, EE, ES, FI, FR, GB, GR, HR, HU, IE, IS, IT, LT, LU, LV, MC, MK, MT, NL, NO, PL, PT, RO, RS, SE, SI, SK, SM, TR), OAPI (BF, BJ, CF, CG, CI, CM, GA, GN, GQ, GW, ML, MR, NE, SN, TD, TG).

Declarations under Rule 4.17:

- as to applicant's entitlement to apply for and be granted a patent (Rule 4.17(ii))
- as to the applicant's entitlement to claim the priority of the earlier application (Rule 4.17(iii))

Published:

- with international search report (Art. 21(3))
- with amended claims (Art. 19(1))

(54) Title: ARTICULABLE ELECTROSURGICAL INSTRUMENT WITH A STABILIZABLE ARTICULATION ACTUATOR

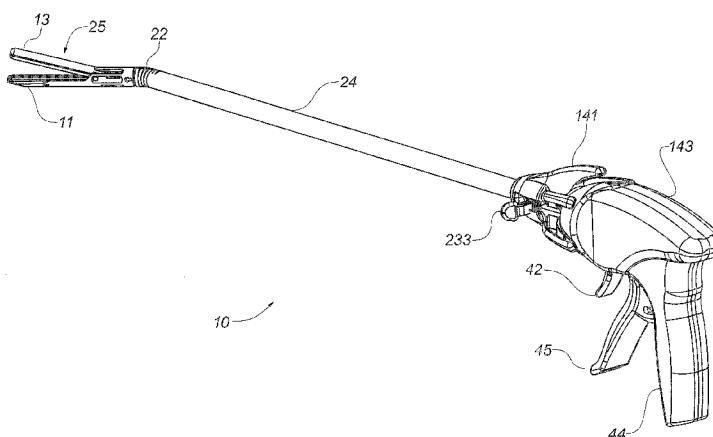


FIG. 17

(57) Abstract: Embodiments of the technology provide an articulating electro-surgical instrument and methods of performing electro-surgery with an articulating capability. The electro-surgical instrument includes an elongated shaft having an end effector associated with a distal end thereof that is able to deliver energy to a target tissue site. An articulating joint is positioned between that shaft and the end effector. Articulation of the articulating joint is controlled by a stabilizable articulation actuator, which may include a rotatably stabilizable disk residing within a well. The end effector may take the form of forceps including an upper and a lower jaw; the jaws are configured to grasp target tissue and to deliver energy, such as radiofrequency energy. In some of these instruments, the end effector is adapted to seal tissue by the application of radiofrequency energy, and then to cut through the sealed tissue portion.



**ARTICULABLE ELECTROSURGICAL INSTRUMENT WITH
A STABILIZABLE ARTICULATION ACTUATOR**

CROSS-REFERENCE TO RELATED APPLICATIONS

[001] This application is a continuation in part of U.S. Patent Application No. 12/027,231 of Kerver *et al.*, entitled "METHOD AND APPARATUS FOR ARTICULATING THE WRIST OF A LAPAROSCOPIC GRASPING INSTRUMENT", filed on February 6, 2008. The present application further claims priority to U.S. Provisional Patent Application No. 61/382,868 of Walberg *et al.*, entitled "ARTICULABLE ELECTROSURGICAL INSTRUMENT", filed on September 14, 2010.

INCORPORATION BY REFERENCE

[002] All publications and patent applications mentioned in this specification are herein incorporated by reference to the same extent as if each individual publication or patent application was specifically and individually indicated to be so incorporated by reference.

FIELD OF THE INVENTION

[003] The technology relates to medical devices for use during laparoscopic procedures. More particularly, the technology relates to an electrosurgical instrument with an articulable joint operable to articulate an end effector.

BACKGROUND OF THE INVENTION

[004] Bipolar electrosurgical instruments apply radiofrequency (RF) energy to a surgical site to cut, ablate, or coagulate tissue. A particular application of these electrosurgical effects is to seal blood vessels or tissue sheets. A typical instrument takes the form of a pair of opposing jaws or forceps, with one or more electrodes on each jaw tip. In an electrosurgical procedure, the electrodes are placed in close proximity to each other as the jaws are closed on a target site such that the path of alternating current between the two electrodes passes through tissue within the target site. The mechanical force exerted by the jaws and the electrical current combine to create the desired surgical effect. By controlling the level of mechanical and electrical parameters, such as the pressure applied by the jaws, the gap distance between electrodes, and the voltage, current, frequency, and duration of the electrosurgical energy applied to the tissue, the surgeon can coagulate, cauterize, or seal tissue toward a therapeutic end.

[005] Electrosurgical procedures can be performed in an open environment, through conventional incisions, or they may be performed laparoscopically, through small incisions, typically 0.5 cm – 1.5 cm in length. A laparoscopic procedure may include the use of a telescopic rod lens system that is connected to a video camera and to a fiber optic cable system that conveys light from a cold light source to illuminate the operative field. The laparoscope is typically inserted into a port in the body through a 5 mm or 10 mm cannula to view the operative field. Surgery is performed during a laparoscopic procedure with any of various tools that are typically arranged at the distal end of a shaft and are operable by manipulation of a handle or other actuator positioned at the proximal end of the shaft.

[006] The laparoscopic operating environment is very constrained spatially; improvements with regard to the manipulatability of laparoscopic devices by surgeons, or more particularly, improvements in the range of motion that end effectors for electrosurgical device can achieve would be advantageous in the field.

SUMMARY OF THE INVENTION

[007] Embodiments of the technology provided herein include an articulable electrosurgical instrument and methods of performing electrosurgery with an instrument having an articulating capability. Embodiments of the electrosurgical instrument include an elongated shaft having an end effector associated with a distal end thereof and a handle associated with a proximal end thereof, the end effector being able to deliver radiofrequency energy to a target tissue site. In typical embodiments of the instrument, the end effector may take the form of forceps or a set of jaws, including a first-jaw (a lower jaw, for example) and a second jaw (a lower jaw, for example). The set of jaws is configured to grasp target tissue and to deliver energy, such as radiofrequency energy. In some of these instruments, the set of jaws is particularly adapted to seal tissue by the application of radiofrequency energy, and then to cut through the sealed tissue portion with a blade.

[008] Embodiments of the instrument may further include an articulable joint positioned between the shaft and the end effector; the joint is configured to articulate the end effector angularly within an arc of articulation, the articulable joint including at least one pivotable link or flexible element, or alternatively, a set of one or more interconnected pivotable links, disks, or flexing elements. The instrument may further include a stabilizable articulation actuator disposed

proximal to the articuable joint. Some embodiments of the instrument may include a shaft rotator or shaft rotating actuator. The shaft rotator may be disposed proximal to the articuable joint, may be disposed generally at a position along a proximal portion of the shaft, and may be associated with the handle portion of the device. In particular embodiments, the stabilizable articulation actuator may be included within or in association with a shaft rotator. The shaft rotator, itself, is configured to rotate the shaft with respect to the handle, and by virtue of rotation of the shaft, the end effector is also rotated. Advantages of the stabilizable articulation actuator include permitting a surgeon to put lateral forces on the end effector, such as when using the end effector to retract tissue, without having to manually operate a knob or other device to lock and later unlock the angular orientation of the end effector. The stabilizable articulation actuator can allow the surgeon to easily move between different articulation angles without a separate locking action, yet the angular orientation of the end effector may be advantageously stabilized in the chosen articulation angle.

[009] The instrument may further include at least two force transfer members or member portions for translating rotational movement of the actuator mechanism into articulating movement of the end effector. The force transfer member are operably connected at their proximal end to the articulation actuator, and operably connected at their distal end through the articuable joint to a proximal portion of the end effector, thereby allowing rotational movement of the articulation actuator to be translated into articulating movement of the end effector. Force transfer members may be of any suitable form, such as wires, cables, rods, strips, or portions thereof that can transfer tension and/or compression forces. Embodiments of the instrument described herein, and examples of embodiments shown in figures will refer to or depict cables, but it should be understood that any suitable force transfer member is included within the scope of the disclosure. The stabilizable articulation actuator may be configured to stabilize the articuable joint at an angle by stabilizing the force transfer cables, the stabilized angle of the articuable joint being one of a set of angles spaced apart at intervals within the arc of joint articulation.

[0010] In some embodiments of the instrument, a stabilizable articulation actuator includes a rotationally stabilizable disk seated in a well, and a finger-operable lever configured to rotate a rotationally stabilizable disk to stable position. The finger-operable lever stabilizes the articuable joint in an articulated position by way of transferring force from the actuator through

the force transfer cables to the articulable joint. In some embodiments, the stabilizable articulation actuator is mounted orthogonally or transverse to a central longitudinal axis of the instrument, as represented, for example, by the shaft. Thus, in these embodiments, the planes within the rotationally stabilizable disk and the finger operable lever rotate are orthogonal or transverse to the central longitudinal axis of the instrument. Typical embodiments of the finger-operable lever include two opposing arms, each arm of the lever being connected to a force transfer cable, the lever is configured such that its rotation moves a first transfer cable in a distal direction, thereby applying tension to the first transfer cable, and a second cable in a proximal direction, the second cable thereby being relieved of tension.

[0011] In some embodiments of the instrument, the rotationally stabilizable disk includes at least one spring portion biased circumferentially outwardly against a wall of the circular well, a circumferentially peripheral edge of the spring comprising one or more teeth, the wall of the circular well comprising one or more detents, the one or more teeth and the one or more detents configured to be mutually engageable. A rotational configuration in which teeth and detents are so engaged represents a stable position of the articulation actuator. In some embodiments, the rotationally stabilizable disk comprises two or more spring portions biased circumferentially outwardly against a wall of the circular well, the spring portions being distributed at equidistant intervals on the circumferential periphery. In some embodiments, the distribution of spring portions provides a circumferentially balanced distribution of forces impinging on the stabilizable disk. This balance of impinging centripetal forces advantageously supports a smooth rotation of the disc about its center.

[0012] In some embodiments, the rotationally stabilizable disk and the well in which it sits are adapted to stabilize rotation of the disk at any one position of a set of stable positions spaced apart at intervals within an arc of disk rotation. In some of these embodiments, the arc of rotation of the rotationally stabilizable disk encompasses about 90 degrees, including about 45 degrees in either direction from a neutral position wherein the finger operable lever is orthogonal to the shaft. The set of stable positions are typically spaced apart at regular intervals within the arc of rotation, such as set positions spaced apart at about 15 degrees. Typically, one of the stable positions is a neutral position, wherein the finger operable lever is orthogonal to the shaft. In general, articulating aspects of the articulable joint correspond to rotational aspects of the rotationally stabilizable disk. Thus, in some embodiments, the arc of articulation of the

articulable joint substantially corresponds to the arc of rotation of the rotationally stabilizable disk. And, in some embodiments, the articulable joint is adapted to stabilize at a set of stable positions spaced apart at intervals that substantially correspond to the stable positions of the rotationally stabilizable disk.

[0013] In some embodiments, the rotationally stabilizable disk and the well in which it sits are configured such that the disk can be stabilized at a position by a level of resistance to rotation of the disk that can be overcome by application of torque to the finger operable lever. In another aspect, the rotationally stabilizable disk and the well in which it sits are configured such that rotation of the disk through a stable position requires applying a torque to the mechanism via the finger operable lever that is greater than the torque required to rotate the disk through portions of the arc between the stable angle positions. For example, the torque required to rotate the rotationally stabilizable disk with the finger operable lever through a stable position may be in the range of about 2 to about 10 lbs. And for example, the torque required to rotate the rotationally stabilizable disk with the finger operable lever through portions of the arc of rotation between the stable positions may be less than about 2 lbs.

[0014] In some of these embodiments of the instrument, the stabilizable articulation actuator may further include a cable tensioning mechanism proximal to the rotatable finger-operable lever. One example of a cable tensioning mechanism includes a spring plate as described further below and depicted herein. Embodiments of the spring plate include two opposing arms, one of the at least two force transfer cables is threaded through each arm of the rotatable finger-operable lever, through the spring plate, and then terminating proximal to the spring plate. As noted above, the force cables or cables move in opposite longitudinal directions as they drive articulating movement of the end effector, one moving distally and the other proximally. The spring plate is configured to maintain tension on the force transfer cable that is moved in a distal direction; absent the force provided by the spring, the distal-moving force cable could accumulate a problematic degree of slack. In some embodiments of the spring plate, each arm of the spring plate includes a circumferentially outward-facing open slot through which one of the force transfer cables is threaded. Further, each arm of the spring plate may include a circumferentially inward-facing open slot configured to engage a spring plate retention tab.

[0015] In some of these embodiments of the instrument, each arm of the finger operable lever includes a spring plate retention tab on a distal facing surface of the lever, and the spring plate comprises two opposing circumferentially inward facing slots. The tabs and the inward facing slots are configured to mutually engage in such a way so as to stabilize the spring plate against lateral slippage when the finger operable lever is in a rotated position.

[0016] In some embodiments, the articulation actuator is further configured to stabilize the end effector at a stable angle, the stable angle of the end effector being any one of a set of angles spaced apart at intervals within the arc of end effector articulation. In some embodiments of the electrosurgical instrument, the end effector is a set of forceps or jaws comprising a first jaw and a second jaw. The first and second jaw may also be referenced by terms such as an upper jaw and a lower jaw. Typically, the set of jaws includes a plurality of bipolar electrodes configured to receive energy from an energy source and to deliver the energy to the target site.

[0017] In some embodiments of the electrosurgical instrument, the articulable joint includes one or more pivotable links intervening between a distal end of the elongated shaft and a proximal end and the end effector. Some embodiments of the articulable joint include two or more interconnected pivotable links. The property of having, for example, one or more intervening pivotable links may also be understood as the articulable joint as whole having two or more intervertebral spaces within which pivoting may occur, or as the articulable joint as whole having two or more interconnected sites of pivoting articulation. In a typical configuration, interconnected links of the articulable joint, as well as the distal end of the shaft and the proximal end of the end effector, include ball-like or cylindrical projections engageable in complementary grooves.

[0018] In various embodiments, the articulable joint is configured to pivot the end effector within an arc of about 90 degrees, the arc including about 45 degrees in either direction from a neutral position. In general, the angle of articulation is considered to be the angle of a line tangent to the distal end of the articulable joint with respect to a line corresponding to the central longitudinal axis of the shaft. By virtue of the rotational stabilizing mechanism and by way of the operation of the force transfer cables, the articulable joint is stabilizable at a set of angles spaced apart at intervals within the arc of about 90 degrees. The set of angles that are spaced apart at intervals within the arc of rotation includes set angles spaced apart at about 15 degrees.

Typically, one of the stabilized angles is a neutral angle, set at zero degrees with respect to the central longitudinal axis of the shaft. Finally, in some embodiments of the instrument, the articulable joint is adapted to be stabilizable at a desired angle of articulation.

[0019] Embodiments of the articulable joint and its distal connection with the end effector and its proximal connection to the shaft are configured such that various operational aspects of the end effector of the instrument are unaffected by the articulated position of the end effector. Thus, for example, the operation of opening and closing of the jaws, and the force that can be applied by through the jaws when closing, are both independent of the articulated position of the jaws. Similarly, movement of the blade occurs and all electrosurgical performance capabilities are unaffected by the articulated position of the jaws.

[0020] In some embodiments, an instrument with a set of jaws may further include a blade and a blade drive member collectively configured to be able to separate tissue at a target site into two portions when the tissue is being grasped by the set of jaws. The blade may be configured to reside in a home position distal to the articulable joint, and to be able to move distally within the set of jaws. The blade-driving member is typically disposed through the articulable joint, and operable through the joint in any position of articulation. The blade driving member may be configured as a push and pull mechanism; and an actuator configured to control the distal advancement of the blade and the proximal retreat for the blade may reside in the handle of the instrument.

[0021] Some embodiments of the electrosurgical instrument take a form that does not necessarily include a handle or a shaft; instead, for example, the jaws may be mounted on any suitable base. Embodiments such as these, could, for example, be incorporated into a robotic apparatus. These embodiments include a set of jaws associated with a base, the set of jaws enabled to deliver radiofrequency energy to a target site, an articulable joint positioned distal to the base, a stabilizable articulation actuator disposed in association with the base, an articulable joint positioned between the base and the set of jaws; and at least two force transfer cables for translating rotational movement of the articulation actuator into articulating movement of the set of jaws. In these embodiments, the articulable joint is configured to articulate the set of jaws angularly within an arc of articulation, and the articulable joint has least one pivotable link positioned between a distal end of the shaft and a proximal end of the set of jaws. In typical

embodiments, the force transfer cables are operably connected at their proximal end to the articulation actuator, and operably connected at their distal end through the articulable joint to a proximal portion of the set of jaws. In some of these embodiments, the stabilizable articulation actuator is configured to stabilize the articulable joint at a stable angle by stabilizing the force transfer cables. The stable angle of the articulable joint may be any one of a set of angles spaced apart at intervals within the arc of joint articulation.

[0022] Embodiments of the provided technology also include a method of electrosurgical tissue sealing that includes moving a set of electrosurgical jaws into the proximity of a target tissue site. The jaws are positioned on a distal end of an articulable joint; the articulable joint is positioned distal to a shaft of an electrosurgical device. Embodiments of the method may include rotating a stabilizable articulation actuator with a finger operable lever. The method may further include articulating the jaw set with the articulable joint in order to position a distal end of the jaws into a desired angle or position of articulation such that when the jaws are closed they grasp the target tissue site. The method may then further include grasping the target tissue site with the jaws. The method may then further include delivering radiofrequency energy to the target tissue site from the jaws to seal the target tissue site. The method may still further include cutting through the newly sealed tissue site.

[0023] Embodiments of the method may include moving a set of jaws of an electrosurgical instrument into proximity of a target tissue site, the set of jaws being positioned on the instrument distal to an articulable joint. The method may further include rotating a stabilizable articulation actuator with a finger operable lever to a desired rotational position, and thereby articulating the articulable joint to a desired angle of articulation. The method may further include stabilizing the stabilizable articulation actuator in the desired rotational position, and thereby stabilizing the articulable joint in the desired angle of articulation.

[0024] The angular articulation of the articulable joint at an angle may be understood to refer to an angle associated with a line tangent to the distal end of the articulable joint with respect to the central longitudinal axis of the shaft of the instrument. Similarly, the angle of articulation associated with an end effector, such as a set of jaws, refers to an angle of a line associated with the common longitudinal axis of the jaws (as taken when the jaws are closed) with as compared to a line corresponding to the central longitudinal axis of a the shaft of the instrument. In general,

a desired angle of articulation of either the articulable joint or an end effector distal to the joint refers to an angle such that the jaws are closed, they will close around and grasp the tissue targeted for electrosurgical engagement.

[0025] In some embodiments, rotating the stabilizable articulation actuator occurs by way of rotating a rotationally stabilizable disk, and, wherein stabilizing the stabilizable articulation actuator occurs by way of stabilizing a rotationally stabilizable disk.

[0026] Some embodiments of the method may further include articulating the set of jaws in accordance with rotating the stabilizable articulation actuator. And in some embodiments, the method may further include stabilizing the set of jaws in a desired angle of articulation in accordance with stabilizing the articulable joint in the desired angle of articulation.

[0027] Some embodiments of the method including rotating a finger-operable lever associated with the articulation actuator, thereby rotating the rotationally stabilizable disk within the actuator. Some of these embodiments may further include tensioning the force transfer cables with a tensioning mechanism associated with the finger-operable lever. The method may further include driving the movement of at least two force transfer cables in accordance with rotating the rotationally stabilizable disk. In such embodiments, driving the movement of the at least two force transfer cables includes applying tension from the proximal end of one of the force transfer cables and relieving tension from the other force transfer cable, the proximal ends of the force cables being operably engaged to the stabilizable articulation actuator.

[0028] In typical embodiments of the method, articulating either the articulable joint or the end effector refers to a capability of pivoting within an arc of about 45 degrees in either direction from a centerline within a plane, thereby providing a total pivotable range of about 90 degrees. In some embodiments of the instrument, the articulable joint includes one or more pivotable links positioned between a distal end of a shaft of the instrument and a proximal end of the jaws. In these embodiments, articulating the articulable joint may include pivoting the one or more pivotable links with respect to each other or with respect to the distal end of the shaft or the proximal end of the jaws.

[0029] Moving the set of jaws into proximity of a target tissue site may occur in several aspects, including a step of advancing the set of jaws the jaws through a trocar into a laparoscopic operating space, and a step of rotating the jaws. Rotation, in this context refers to

rotating the jaws about their central common longitudinal axis, such axis defined by the jaws when they are in a closed position, or as represented by a common base portion of the jaws.

[0030] In some embodiments, rotating the set of jaws around their central longitudinal axis includes rotating from a neutral position within a range of up to about 180 degrees on either side of the neutral position. In various embodiments, wherein rotating the set of jaws around their central longitudinal axis of the set of jaws occurs by way of rotating a shaft of the electrosurgical instrument, which in turn, may occur by rotating a shaft rotating actuator of the instrument.

[0031] In various embodiments of the method, stabilizing the set of jaws in the desired angle of articulation is a step performed in conjunction with or simultaneously with articulating the articulable joint to its desired angle of articulation. Stabilizing the jaws at a particular angle of articulation, such as a desirable angle for grasping target tissue, may occur in close or causal relation to stabilizing the articulable joint, stabilizing force transfer members that control the angle of the articulable joint, and stabilizing a rotationally stabilizable disk with the stabilizable articulation actuator.

[0032] More particularly, stabilizing the stabilizable articulation actuator in the desired position may include engaging teeth on the periphery of a rotationally stabilizable disk with complementary detents on an inner aspect of a well in which the rotatable disc is housed. In another aspect, stabilizing the stabilizable articulation actuator may include rotating a lever of a stabilizable articulation actuator through a portion of an arc of relatively low rotational resistance until the lever encounters a position of relatively high rotational resistance, such position being a position of articulated stability. In yet another aspect, wherein stabilizing the stabilizable articulation actuator may include rotating a lever of a stabilizable actuator through a portion of an arc that may include one or more regions of moderate rotational resistance and one or more regions of high rotational resistance, until the lever encounters a particular position of high rotational resistance wherein the jaws are in a desired position of articulation. In the context of this latter embodiment, rotating the lever through a region a low rotational resistance may include applying a torque to the lever in the range of less than about 2 lb. inches, and rotating the lever through a region a high rotational resistance may include applying a torque to the lever in the range of about 2 to about 15 lb. inches.

[0033] Embodiments of the method may include further steps, such as grasping the target tissue with the set of jaws, and such as opening the set of jaws prior to the grasping step. The method may further specifically include delivering radiofrequency energy to the target tissue site from the set of jaws after the jaws have grasped the target tissue site. Some embodiments of the method may include multiple electrosurgical treatments once the jaws have entered the laparoscopic operating space. As such, the method may further include moving the set of jaws to proximity of a second site while maintaining the set of jaws at the previous angle of articulation, and repeating the grasping step and the delivering energy step, these steps being directed toward the second target site.

[0034] In another aspect, the disclosed method of articulating and stabilizing an end effector of an electrosurgical instrument may be understood as a series of articulating steps that can be combined with a series of stabilizing steps to achieve articulation and stabilization of an end effector at a desired articulated angle. Accordingly, articulating the end effector may include rotating a finger operable lever, rotating a stabilizable rotatable disk, moving force transfer cables translationally, articulating an articulable joint, and articulating the end effector. Stabilizing the end effector may include stabilizing the stabilizable rotatable disk at a desired rotational position, stabilizing the finger operable lever at the desired rotational position, stabilizing the translation of force transfer cables at a desired translational position, stabilizing the articulable joint at a desired angle of articulation, and stabilizing the end effector at the desired angle of articulation. By embodiments of this method, rotating the finger operable lever may result in rotating the stabilizable disk through one or more regions of relatively low rotational resistance and relatively high rotational resistance. Further by this method, stabilizing the end effector may include stopping rotation of the stabilizable disk at a position of relatively high rotational resistance.

BRIEF DESCRIPTION OF THE DRAWINGS

[0035] Fig. 1 is a perspective diagram showing an articulable joint of an articulable electrosurgical instrument.

[0036] Fig. 2A is a plan view showing an articulable joint of an articulable electrosurgical instrument.

[0037] Fig. 2B is a plan view showing an articable joint of an articable electrosurgical instrument wherein an articable joint comprises one link intervening between the shaft and the jaws.

[0038] Fig. 3 is a schematic view showing a top cutaway of a joint articulation control mechanism of an articable electrosurgical instrument.

[0039] Fig. 4 is a perspective schematic view showing an articable electrosurgical instrument.

[0040] Fig. 5 is another perspective view of an articable electrosurgical instrument.

[0041] Fig. 6 is a perspective schematic view of an indexing mechanism for an articable electrosurgical instrument.

[0042] Fig. 7 is a perspective schematic view of a detent mechanism for an articable electrosurgical instrument.

[0043] Fig. 8 is a perspective schematic view of a detent and indexing mechanism for an articable electrosurgical instrument.

[0044] Fig. 9 is a plan schematic view of a step ball detent mechanism for an articable electrosurgical instrument.

[0045] Fig. 10 is a perspective schematic view of the step ball detent mechanism for an articable electrosurgical instrument.

[0046] Fig. 11 is a second perspective schematic view of the step ball detent mechanism for an articable electrosurgical instrument.

[0047] Fig. 12 is a perspective schematic view of a push lock mechanism for an articulation control in an articable electrosurgical instrument.

[0048] Fig. 13 is a phantom perspective schematic view of the push lock mechanism for an articulation control mechanism in an articable electrosurgical instrument.

[0049] Fig. 14 is a perspective schematic view of a grab knob for the push lock mechanism in an articulation control for an articable electrosurgical instrument.

[0050] Fig. 15 is a perspective, partially cutaway view of an articable electrosurgical instrument, showing a drive member.

[0051] Fig. 16 is a perspective view of a drive assembly for a blade within an articable electrosurgical device.

[0052] Fig. 17 is a perspective view of an embodiment of an articable electrosurgical device, with an indexing mechanism proximal to the shaft, and an articable joint positioned distal to the shaft and proximal to a set of jaws, the articable joint in an articulating position. Other views of aspects of this embodiment are shown in Figs. 18 – 28.

[0053] Fig. 18 is a perspective view a proximal portion of an articable electrosurgical device depicted with a shaft rotator shown transparently, an embodiment of a stabilizable articulation actuator contained therein.

[0054] Fig. 19 is a top view, partially exposed, of a shaft rotator portion of an articable electrosurgical device; an embodiment of a stabilizable articulation actuator contained therein is shown with a finger lever in a neutral position.

[0055] Fig. 20 is a top view, partially exposed, of a shaft rotator portion of an articable electrosurgical device; an embodiment of a stabilizable articulation actuator contained therein is shown with a finger lever in a partially rotated position.

[0056] Fig. 21 is a top view of an isolated portion of a stabilizable articulation actuator showing a rotationally stabilizable disk, its finger operable lever, and force transfer cables.

[0057] Fig. 22 is a top view with a slight proximal-looking angle of an exposed base portion of a stabilizable articulation actuator, showing the receptacle portion into which the rotationally stabilizable disk may be seated.

[0058] Fig. 23 is an exploded perspective view of a stabilizable articulation actuator, showing a receptacle portion into which the rotationally stabilizable disk is seated, an indexing disk, a finger operable lever to rotate the disk, and a spring plate positioned distal to the finger operable lever.

[0059] Fig. 24 is a perspective view of an indexing disk constructed; this embodiment comprises two outwardly biased spring portions.

[0060] Fig. 25 is a perspective view of an isolated portion of aspects of a stabilizable articulation actuator that includes a finger operable lever, a spring plate, and actuating wires that communicate with the distally positioned articable joint.

[0061] Fig. 26 is a perspective view of a spring plate portion of a stabilizable articulation actuator.

[0062] Fig. 27 is a side view of a spring plate aligned against a finger operable lever.

[0063] Fig. 28 is a schematic diagram of an aspect of a method for articulating an articulable joint and stabilizing it at a desired angle of articulation.

DETAILED DESCRIPTION OF THE INVENTION

[0064] Aspects of the technology provided herein include a method and apparatus for articulating the joint of an articulable electrosurgical instrument that would typically used in a laparoscopic environment, but is also suitable for use in an open operating environment. Examples of electrosurgical devices that could incorporate the articulable features as described herein, include devices as described in the following, all of which are incorporated herein, in their entirety: U.S. Patent No. 7,862,565 entitled "METHOD FOR TISSUE CAUTERIZATION" issued on 01/04/2011; U.S. Patent No. 7,803,156 entitled "METHOD AND APPARATUS FOR SURGICAL ELECTROCAUTERY" issued on 09/28/2010; U.S. Patent No. 7,794,461 entitled "METHOD AND APPARATUS FOR SURGICAL ELECTROCAUTERY" issued on 09/14/2010; U.S. Application No. 11/743,579 entitled "SURGICAL TOOL" filed on 05/02/2007, published on 07/17/2008 as U.S. Publication No. 2008/0172052A1; U.S. Application No. 11/382,652 entitled "APPARATUS FOR TISSUE CAUTERIZATION" filed on 05/10/2006, published on 11/16/2006 as U.S. Publication No. 2006/0259034A1; U.S. Application No. 11/671,891 entitled "ELECTROCAUTERY METHOD AND APPARATUS" filed on 02/06/2007, published on 06/07/2007 as U.S. Publication No. 2007/0129726A1; U.S. Application No. 12/121,734 entitled "ELECTROCAUTERY METHOD AND APPARATUS" filed on 05/15/2008, published on 09/11/2008 as U.S. Publication No. 2008/0221565A1; U.S. Application No. 12/062,516 entitled "ELECTROCAUTERY METHOD AND APPARATUS" filed on 04/04/2008, published on 09/18/2008 as U.S. Publication No. 2008/0228179A1; U.S. Application No. 12/410,322 entitled "ELECTROCAUTERY METHOD AND APPARATUS" filed on 03/24/2009, published on 07/16/2009 as U.S. Publication No. 2009/0182323A1; U.S. Application No. 11/671,911 entitled "ELECTROCAUTERY METHOD AND APPARATUS" filed on 02/06/2007, published on 08/09/2007 as U.S. Publication No. 2007/0185482A1; U.S. Application No. 12/748,229 entitled "IMPEDANCE MEDIATED POWER DELIVERY FOR

ELECTROSURGERY” filed on 03/26/2010, and U.S. Application No. 12/907,646 entitled “IMPEDANCE MEDIATED CONTROL OF POWER DELIVERY FOR ELECTROSURGERY” filed on 10/19/2010.

[0065] The presently described medical instrument, a bipolar electrosurgical device by way of example, may be configured to seal tissue and/or to cut tissue, and has an end effector that can be articulated through the operation of an articulable joint. Embodiments of the instrument typically have a set of opposing jaws that can be articulated up to an angle of about 45 degrees, both to the left and the right from a centerline defined by the central longitudinal axis of the shaft of the instrument, for a total articulation range of about 90 degrees. Aspects of the technology also provide a proper bend radius and support for a jaw actuation member and a cutter- driving member. In some embodiments, a bendable support for the drive includes tightly wound coil springs.

[0066] Some embodiments of the technology further include a mechanism and a method to control the degree of articulation with an actuator disposed at the handle of the articulable electrosurgical instrument. Embodiments of the technology may further include a locking mechanism, or more generally, a stabilizable articulation actuator, to prevent motion of the articulable joint while an operator, typically a surgeon, performs electrosurgical procedures with the device. Embodiments of the locking mechanism also include an indexing feature with which a surgeon operator can index and choose the necessary amount of angle between preset angles.

[0067] Some embodiments of the technology include, in the form of a distally positioned articulable joint or wrist, a set of pivotal vertebra, links, hinges, or flexible elements that are interconnected by pins, or by a snap fit, or by tension applied by a force transfer member. Each vertebra is adapted to pivot in relation to the longitudinal axis of the shaft and jaw set, thus allowing left and right articulation. The angle of articulation is controlled by connecting or force-transfer members, such as wires or cables, which are disposed along both sides of the articulable joint. The connecting wires are proximally routed up the shaft and connected with tension to a control mechanism at a device handle, and function by transferring force from the handle to the joint.

[0068] Embodiments of the links or vertebrae collectively form a proper bend radius in embodiments of the distal articulable joint, a bend radius that is sufficiently large that it allows

for a force transfer wire or cable to pass through the joint without kinking. Further, in some embodiments, a tightly wound coil spring is housed within the joint to route the wire. The tightly wound coil spring provides additional support to the wire, such that when the wire is moved back and forth, proximally or distally, it does not buckle or kink.

[0069] Embodiments of the control mechanism at the handle include an indexing disk and finger operable lever that receives the force transfer cables or wires from the joint. The indexing disk is pivotally mounted at the handle of the instrument, and the shape of the control mechanism allows for concentric rotation about the pivot so that the length-wise motion of the wires or cables along the shaft can be controlled, based upon the distance from the pivot to the attachment point of the wires or cables. The distances that the force transfer cables move controls the articulation position or angle; these distances are available as preset options according to the geometry of the joint and the indexing disk and its lever.

[0070] Several embodiments of the technology have a stabilizable articulation actuator include indexing or locking features. This mechanism, in its various embodiments can specify particular angles of articulation, and can stabilize the end effector distal to the joint at particular angles. The stabilized or lockable angles are located at spaced apart intervals within the arc of articulating rotation. In a first embodiment, a spring steel member is formed into a geometry that deflects when a force is applied, as with a leaf spring. An example of this embodiment, with a spring steel member is shown in **Fig. 6**; other aspects of the locking and indexing mechanism are shown in **Figs. 7 and 8**. The leaf spring is housed within a circular carrier, with only the deflectable portion of the spring accessible and protruding from a circular carrier. A rotating member with a circular portion removed from its pivot area fits over the circular carrier. A tooth pattern is also removed from along the inner diameter of the circular portion of the rotating member. The rotating member includes arms extending from its center body to which the cable or wires are attached. The leaf-like spring protrudes into the indentations created by the tooth pattern. The distance between the teeth and the distance from the attachment point of the cable or wires to the pivot point control the articulation angle.

[0071] In a second embodiment of a stabilizable articulation actuator with indexing or locking features, a spring plunger is mounted within a circular carrier opposite a step ball. The spring

plunger mates with the indents created by the tooth pattern. Examples of this particular embodiment of a stabilizable articulation actuator are shown in **Figs. 9 and 10**.

[0072] In a third embodiment of a stabilizable articulation actuator with indexing or locking features, the rotating member described above does not have arms extending from its center body. A wing is mounted on top of the rotating member. The wing is then manipulated to control the rotation around the circular carrier.

[0073] In a fourth embodiment of a stabilizable articulation actuator with indexing or locking features, a flexible plastic hinge, also known as a living hinge, is mounted near the handle. The living plastic hinge uses a V-shape that fits within a slot of an external housing that surrounds the living hinge. The tip of the V-shape protrudes from each slot. There is a series of slots along the length of the external housing. The housing engages with the cable and wires that control articulation of the joint. The operator can adjust and lock the joint articulation by first pressing down on the living hinge to disengage the current locked position, then moving the external housing from a proximal to a distal position or vice versa, which then locks by re-engaging with the living hinge at any various predetermined distances set by the slots. These distances determine the angle at which the joint is articulated.

[0074] In a fifth embodiment of a stabilizable articulation actuator with indexing or locking features, the rotating mechanism described above rotates freely around the pivot. When an operator or surgeon has determined the angle of articulation, an indexing pin mounted on top of the pivot is depressed, which locks the joint angle and the rotating mechanism, thus preventing any further movement of both the rotating mechanism and joint. This can be accomplished using a wedge-like design that is anchored within the pivot pin, which in this embodiment is a tube. A minimum of a single slot is designed into the pivot pin. When the button is depressed, the inherent spring properties of the button flare from the slot. The flaring material uses friction to prevent movement of the rotating mechanism. The button itself remains in place due to a wedge design at the top. An example of this particular embodiment of a locking and indexing mechanism is shown in **Figs. 12, 13, and 14**, as described further below.

[0075] In a sixth embodiment of the disclosed technology, a stabilizable articulation actuator of the electrosurgical instrument includes an indexing or rotational position stabilizing disk with spring piece arms that have teeth that can engage complementary detents in a receptacle or well

within which the disk is rotatably seated. This particular embodiment of an articulation actuator includes a non-locking mechanism. Articulation angles of an articulation joint are not locked into place, but are, instead stabilized by a relatively high level of rotational resistance in the actuator that can nevertheless be overridden by a level of torque easily applied to a finger operable lever. Examples and views of this sixth embodiment are shown in **Figs. 17 – 28**, and described further below.

[0076] In the description of the disclosed technology and as shown in **Figs. 1 – 28**, embodiments of the stabilizable articulation actuator may be included within or in association with a shaft rotator portion of an electrosurgical instrument for design considerations. However, in other embodiments of the disclosed technology, these two functional actuators could be positioned in physically separate locations. Further, other embodiments of the disclosed technology, including a stabilizable articulation actuator and an operably connected articulation joint, may be included in a broad range of devices, such as those that do not deliver radiofrequency energy, or in devices that do not have a shaft, that do not have a handle, or which have neither a shaft nor a handle.

[0077] Further to the foregoing description, a more detailed explanation is now provided in connection with examples of the technology as depicted **Figs. 1 – 28**. Many electrosurgical features of embodiments of the device, such as bipolar electrode pairs, are not shown in order to focus on features that provide articulability to the device. Details of electrosurgical features may be found in the patent applications identified above.

[0078] **Fig. 1** is a perspective view of a distal portion of an embodiment of an articulation actuator according to aspects of the technology; it shows a distal portion of the main shaft **24** of the electrosurgical device and an end effector, in this example, a jaw assembly **25** which includes lower jaw **11** and an upper jaw **13**. In a more general aspect, jaw assembly may be described as having a first jaw **11** and a second jaw **13**. Inasmuch as some embodiments of the device have a rotatable shaft and thus, a rotatable set of jaws, the terms upper and lower may have no absolute significance, but they may be useful in describing the jaws as they appear in figures, or as they may be so designated by marking or by convention. In this embodiment, the upper jaw is pivotable away from and toward the lower jaw about a pivot point **17**, which typically includes a pin or axle. In other embodiments of the technology, the

lower jaw may be pivotable as well, but in this particular embodiment, the lower jaw is fixed. Pivoting of the upper jaw is accomplished by transmitting tension to a jaw activation pin **18**, which is moveable in an activation slot **19**. Typically, tension is applied via a cable attached to the jaw activation pin. In this example of an end effector, the jaw set or assembly **25** is configured for such laparoscopic procedures as electrosurgical tissue sealing and cutting. Accordingly, as shown in the bottom jaw **11**, a distal electrode **12** is provided, embedded in the plastic carrier **15**. A second, proximal electrode **16** is also shown. A cutting groove **14** is shown for receiving a blade (not visible) during a tissue separating procedure that occurs in conjunction with tissue sealing. Also visible in **Fig. 1** and **Fig. 2** is an articulable wrist or joint **22**, as described further below.

[0079] During laparoscopic electrosurgical procedures, it is desirable to be able to position the jaws of the device from left to right within an arc of a plane of articulating freedom to achieve the best angle of approach to a target tissue site; this capability is provided by an articulable joint or joints **22** that includes one or more articulation disks, links, or vertebrae **21**. In this particular embodiment of articulable joint **22**, two pivotable links **21** are shown intervening between the distal end of shaft **24** and the proximal end of jaw assembly **25**. Articulation is accomplished by tensioning a pair of cables (described further below) that terminate distally where they are soldered or crimped in a groove at a cable termination point **20**. **Fig. 1** further shows a clamping slot **23**, which functions as a lock for an outside shaft tube or clamping mechanism to hold the articulable joint **22** to the tube.

[0080] **Fig. 2A** is a top or plan view of a distal portion of an embodiment of an articulable electrosurgical device showing the jaws **25** and shaft **24** disposed on opposite ends of an articulable joint **22**. **Fig. 2B** is a plan view showing an articulable joint of an articulable electrosurgical instrument wherein an articulable joint comprises one link intervening between the shaft and the jaws. Embodiments of the articulable joint include interconnected pivotable, hinged links or disks; the disks **21** are articulated with one another and include a series of ball-like or cylindrical-like projections **27** that are engaged in complementary grooves **28**. The jaw assembly **25** of this embodiment shows a particular distal-most, proximally directed ball-like projection **29** associated with the jaw assembly **25** that is engaged in a groove of an articulation link, and the shaft **24** includes a distal-opening complementary groove **30** for receiving a ball-like or cylindrically-shaped projection of an articulating disk. In some embodiments, the

articulation range of the articulable joint is contained within an arc of a plane, although a proximally disposed shaft rotator can rotate the end effector, as a whole. Some embodiments of the articulable joint are stabilizable at a desired angle of articulation, thereby also stabilizing the end effector at a desired angle of articulation. A short segment of a cable **31** is shown in **Figs. 2A and 2B** as well; the cable includes a coiled pipe sheath assembly and is used to operate a slidable blade within the jaw. As noted above, the coiled assembly allows the cable to bend with the articulation of the device without kinking.

[0081] Embodiments of an articulable joint as provided herein include one or more pivotable links intervening between the distal end of the shaft and the proximal end of the end effector. An advantage associated with a plurality of links, *e.g.*, two or more intervening articulable links, is that the plurality may provide an enhanced articulation angle range, and enhanced resolution and stability of articulated angles. An advantage of relatively few intervening links, such as one link, relates to ease of manufacturing assembly and lower cost. Examples of articulable joints that include one intervening link are shown in **Fig. 2B**. Examples of articulable joints that include two intervening links are shown in **Figs. 1 and 2A**. An example of an articulable joint that includes three links is shown in **Fig. 15**. An example of an articulable joint that includes four links is shown in **Fig. 17**. Embodiments of an articulating links such as these described and depicted are but an example of an appropriate link configuration; other suitable link configurations are known in the art and may be included as embodiments of the technology.

[0082] **Fig. 3** is a partially cutaway side schematic view of an embodiment of an articulation control or actuation mechanism **32** for operating the articulation joint. A joint articulation control member or lever **33** is shown having two finger surfaces at opposite ends of the control member; these finger surfaces allow a surgeon to pivot the control member about a pivot point **35**. Parallel pretensioned control cables **34a/34b** (comprising Nitinol or other suitable cable materials) are attached to respective points on the control member. This pivoting action of control member **33** respectively applies tension to and draws tension from the pair of control cables **34a/34b**. Operation of the joint articulation control causes one cable of the paired cables to pull back on the jaw assembly **25** while the other cable releases tension, thus causing the jaw assembly to move left or right, as desired.

[0083] Fig. 4 is a perspective view of a proximal portion of an articulable electrosurgical device 10 according to aspects of the technology showing a housing 43 having a handle 44 and a jaw activation trigger 45 that operates a four-bar linkage or other type of linkage 46 to transmit tension through the main shaft 24 and thereby operate the jaws to open and close them as desired. A blade actuator member 42 is also shown, by which a blade may be drawn through a cutting groove 14 (shown in Fig. 1). A shaft rotator or end-effector rotational actuator 41 allows the shaft to be rotated about a shaft access, while the joint articulation control member 33 allows the joint mechanism to be operated. Note in Fig. 4 that the joint articulation control mechanism 32 includes a control slot 40 that both guides and limits the travel of the joint articulation control member 33.

[0084] Fig. 5 is a perspective view of a proximal portion of an embodiment of the articulable electrosurgical device 10 in which a shaft rotator 51 is contained within a housing 57. This embodiment also includes a blade actuator 52, a joint articulation control member 53, a handle 54, and a jaw activation trigger 55.

[0085] Fig. 6 is a perspective schematic view of an embodiment of a joint actuation control mechanism of the articulable electrosurgical device shown in Fig. 5; this embodiment of the control mechanism includes an indexing capability. A base portion 66 of indexing the indexing articulation control mechanism supports a ring projection 65 that, in turn, accommodates the control member 53. Tensioned cables 34a/34b each have termination balls 64a/64b that serve as cable stops. Cables 34a/34b are threaded through the control actuator member 53 by way of respective grooves 63a/63b. An indexing disk 97 includes a plurality of detents 62. A flat spring 61 is arranged to engage within the detents to provide a stop mechanism to secure the jaws in a selected position by preventing movement of the articulation control member 53, except when desired by an operator of the device.

[0086] Figs. 7 and 8 provide detailed views of various features of the indexing articulation actuation mechanism shown in Fig. 6. Fig. 7 is a perspective schematic view of the base portion 66 of the articulation control mechanism that shows a spring mechanism 61 sitting in a recess 70 of the ring-like projection 65. Fig. 8 is a schematic perspective view of the articulation control member 53 showing the detents 62 in greater detail.

[0087] Fig. 9 provides a top view of an alternative embodiment of an indexing articulation control or actuation mechanism 90 for an articuable joint. A base portion 96 supports an articulation control member 93 that includes a plurality of detents 92 formed in a detent-indexing disk 97. The control member and detent-indexing disk are rotatably mounted on a base structure 96. Operation of control member 93 causes rotation of indexing disk 97 about a pivot point 91, and consequent engagement of a step ball 95 into one of a plurality of detents 92 within the indexing ring. A ball plunger mechanism 94 circumferentially opposite the step ball 95 maintains bias on the step ball. The indexing control member 93 includes a pair of proximal attachment points 98a/98b for control cables that extend distally to an articuable joint or wrist.

[0088] Fig. 10 is a perspective view of the index control mechanism for an embodiment of an articulation actuation mechanism 90 (as seen in top view in Fig. 9). Fig. 11 is a more horizontally oriented perspective view of the control mechanism for the articulation joint in an articuable electrosurgical device according to aspects of the technology. The arrangement of the articulation control member 93 in connection with the indexing ring 97 is shown, and in particular shows the attachment there between a pair of pins 98a/98b. FIG. 11 also shows a pair of grooves 100a/100b for receiving control cables (cables not shown in this view).

[0089] Figs. 12 – 14 show a further embodiment of an indexing articulation actuation mechanism that includes an indexing pin. Fig. 12 shows an indexing pin 120 that is engaged in a slot 121. Fig. 13 is a cutaway perspective phantom view showing the indexing pin 120 comprising a head portion 131 and a plurality of flared portions 130 which engage or disengage with a locking block 133. Accordingly, this embodiment of the technology includes a jam lock in which depression of the pin 120 jams the flared portion of the pin 130 into the block 133 and thus prevents rotation of the actuation control mechanism. Fig. 14 is a detailed view of the jam mechanism showing the pin 120, head 131, and flares 130 in greater detail.

[0090] Figs. 15 and 16 depict aspects of an end effector drive member of embodiments of an articuable electrosurgical device. An end effector drive member, in general, drives a particular function associated with the end effector. In this embodiment of an electrosurgical device, the end effector is a set of jaws, and accordingly, a drive member may control the opening and closing of the jaws. Fig. 15 is a perspective, partially cutaway view of a distal end effector portion of an articuable electrosurgical device, showing a drive member according to aspects of

the technology. **Fig. 15** shows the articulable joint **22** of the device, while **Fig. 16** shows a jaw-activating band **150**, a closing pin **160**, and cutting blade **161**, a distal portion of which extends back to the handle of the instrument, where an actuator that advances and retreats the blade resides. The operation of a drive member **150** that controls opening and closing of the jaws and the operation of the blade by distally advancing and retreating are performed by separate mechanisms, which operate independently.

[0091] The drive members may be made of a round wire (stainless steel or Nitinol), using tightly wound coil springs for support. The drive members may also be flat stainless steel bands **150**, as shown in **Figs. 15** and **16**. Instead of the round wire that serves as a drive member in some embodiments, this embodiment may include flat bands, and may support the bands with aspects of the internal structure of the links. Other embodiments may use flat polymer bands to provide additional support. These bands may be formed from polymers such as polytetrafluoroethylene (PTFE, Teflon™) or fluorinated ethylene propylene (FEP). The support structure may also include PTFE or FEP shrink tubing over the blade and/or the jaw actuation band.

[0092] An embodiment of an articulable joint **22** is also shown in **Fig. 15**. In this particular embodiment of articulable joint **22**, three pivotable links **21** are shown intervening between the distal end of shaft **24** and the proximal end of jaw assembly **25**.

[0093] **Figs. 17 – 28** provide views of a particular embodiment of an articulable electrosurgical device with a stabilizable articulation actuator and associated methods for its use, in accordance with the sixth embodiment of the technology as noted above. In some of these embodiments, the stabilizable articulation actuator is a substantially non-locking mechanism in that rotational angles are stabilized by virtue of the relative high resistance to rotation required to move the mechanism out of the stable angle position, in contrast to the relatively low resistance encountered during rotation of the mechanism between the angles that represent stable positions. In another aspect, it may be understood that moving through the regions of relatively high rotational resistance is part of the normal procedure by which a desired angle of articulation is arrived at. Embodiments of the stabilizable articulation actuator cooperate with the end effector, via cables, in order to control and stabilize the articulation angle of the end effector. Further

details of the stabilizable articulation actuator are provided in the context of describing **Fig. 20**, below.

[0094] The stabilizable articulation actuator includes a cable tensioning mechanism **170** associated with the cross bar of a finger-operable lever that enhances the articulating performance of the distal articulating joint. The cable tensioning mechanism maintains a tension on cables **34a/34b**, and allows greater tolerance in dimensions or manufacturing specification ranges of both proximal and distal elements of the articulating mechanism, as well as the length of cables, and further serves generally to retain or stabilize these elements in a functional configuration. In some embodiments, the cable tensioning mechanism **170** may comprise a spring plate, as shown in **Figs. 19-21, 23, and 25-27**.

[0095] **Fig. 17** is a perspective view of an embodiment of an articulating electro-surgical device **10**, with a stabilizable articulation actuator proximal to the shaft, and a distal articulating joint **22** positioned distal to the shaft **24** and proximal to an end effector in the form of a set of jaws **25**. The distal articulating joint **22** is in an articulated position. The proximal portion of the device includes a housing **143** that is contiguous with a handle portion **44**. The proximal portion further includes a jaw activation trigger **45** and a blade actuator member **42**. The stabilizable articulation actuator is not exposed in this figure; it is included within the shaft rotator apparatus **141**. In this embodiment, the end effector **25** can effect an articulation toward either side of a neutral position, the articulation angle approaching a maximum of approximately **45** degrees to either side of a neutral position. A neutral position is one in which the central longitudinal axis of the end effector is parallel to the central longitudinal axis of the shaft of the electro-surgical instrument.

[0096] The angles of articulation of the jaws with respect to the shaft are controlled by the stabilizable articulation actuator, and reflect or approximate the angles determined by operation of a lever of the stabilizable articulation actuator. Accordingly, the set of jaws may pivot to either side of a neutral position within a range of about **45** degrees, for a total pivotable range or arc of rotation of about **90** degrees. Further, in a manner determined by the stabilizable articulation actuator, the pivoting angles assumed by the set of jaws are stabilizable at spaced apart angle intervals. In some embodiments, these spaced apart angles occur at **15-degree** intervals.

[0097] Fig. 18 is a perspective view a proximal portion of an articulable electrosurgical device 10 depicted with a shaft rotator assembly 141 shown transparently; an embodiment of a stabilizable articulation actuator 190 can be seen contained therein. Although embodiments of the device depicted in this series of figures shows the stabilizable articulation actuator included within a shaft rotator assembly, the stabilizable articulation actuator, while typically disposed at a position proximal to the shaft, it is not necessarily housed within a shaft rotator assembly.

[0098] Fig. 19 is a top view, partially exposed, of a shaft rotator portion 141 of an articulable electrosurgical device 10. An embodiment of a stabilizable articulation actuator 190 is contained therein, and a finger-operable lever is shown in a neutral position. Such neutral position would hold the distal articulable joint in a neutral or non-articulated position. The proximal portions of tensioned articulating cables 34a/34b can be seen threaded through a central bar portion 235 of finger operable lever 233 and a spring plate 170 proximal to the central bar. Details of this latter arrangement are seen in figures that follow.

[0099] Fig. 20 is a partially exposed top view of a shaft rotator portion of an articulable electrosurgical device. An embodiment of a stabilizable articulation actuator is shown with a finger lever 235 in a partially rotated position. The scale of the drawing is expanded over that of Fig. 19, which allows a more detailed view of its features. Seen particularly well here are the teeth 165 disposed on the periphery of circumferentially outward-biased spring pieces or arms 164 of indexing disk 162. These teeth engage into a series of detents 152 disposed on the inner aspect of the receptacle 151. With rotation of disk 162, the spring pieces deflect inward, and then slip into the next detent available to them.

[00100] This particular embodiment of a stabilizable articulation actuator has two teeth 165 on each arm or spring piece of the indexing disk. There are two series of corresponding detents 152 on the inner aspect of the receptacle; each series has eight detents. This arrangement of teeth and corresponding detents supports a total of seven stable rotatable positions, a central neutral position, and three positions on either side of the neutral position. Embodiments of the stabilizable articulation actuator may have fewer or more teeth and fewer or more detents. Typically, however, the arrangement results in an uneven number of stable rotatable positions, *i.e.*, a central neutral position (at zero degrees, such that the lever is at an orthogonal position with respect to the shaft) and an equal number of stable rotated positions on either side of

neutral. It can be seen that the two spring piece arms are arranged circumferentially opposite each other. This arrangement creates a stable centering of inwardly directed forces, which contributes to a balanced rotational movement around central lever engagement post 168.

Embodiments of the stabilizable articulation actuator include arrangements of the rotational stabilizing disk with more than two outwardly biased arms that support detent-engaging teeth, such arms generally distributed at equidistant intervals.

[00101] Embodiments of the stabilizable articulation actuator make use of a variable resistance to rotation within the available arc of rotation. Positions in an arc of rotation that require a relatively high degree of force to move through represent positions where the degree of rotation is stable, and such positions of stabilizable articulation actuator stability translate into positions of articulation angle stability at the end effector. In contrast, positions or portions of the rotational arc that provide relatively small resistance to rotation are not rotationally stable, and generally represent a rotational zone intervening between the positions of rotational stability.

[00102] In general, the arc of the rotation of the stabilizable articulation actuator is about the same as the arc of articulation of the articulable joint, and, by extension, the arc of articulation of the end effector. For example, in some of the embodiments described here, the stabilizable articulation actuator and the articulable joint/end effector all exercise movement within an arc of about 90 degrees, *i.e.*, arcs of about 45 degrees on either side of a neutral position.

[00103] Rotation of the indexing disk 162 by the finger operable lever 235 requires a relatively large force, for example about 2 lb. pound-inches to about 15 pound-inches, in order to rotate the indexing disk out of a stable position which occurs when teeth of the indexing disk are engaged in complementary detents. Relatively little force, for example less than about 2 lb. pound-inches is required to rotate the indexing disk when teeth of the disk are in positions between detents. Even the relatively large force required to move the disk out of a stable angle position can be provided by normal levels of finger pressure, as applied to the finger operable lever. Note that the relatively large force is a characterization of the force required to rotate the indexing disk out of a stable position as being less than that required to rotate the indexing disk when its teeth are positioned between the indented aspect of the detents. Nevertheless, the relatively large force is within the range of easy operability of the finger operable lever in a manual way. Inasmuch as the mechanism can be easily pushed through a stable angle position, and inasmuch as such

movement is included in normal operation of the mechanism, the stabilizable articulation actuator can be understood as a substantially non-locking system.

[00104] Fig. 20 also shows spring plate 170, as an example of a cable tensioning mechanism 170, and helps to convey an understanding of its role. In this view, disk 162 has been rotated clockwise from a neutral position such that the upper portion (per this view) of lever crossbar 235 is moved proximally, and the lower portion of the crossbar has been moved distally. By such action, the upper (by this view) cable 34a is under a relatively greater degree of tension than the lower cable 34b. In the absence of a compensatory mechanism, in this position, cable 34b would accumulate slack, and create imprecision in the actuation of articulating the articulable distal joint (not seen in this view). Spring plate 170, however, provides compensation that maintains a balance of tension between the two cables. It can be seen that the resilience of the spring plate is calibrated appropriately such that the proximal ends of cables 34a and 34b, outfitted with terminal balls 34c, are maintained at a distance from the base provided by lever crossbar 235. Further visible in this view are stabilizing tabs 237, positioned on the proximal aspect of crossbar 235. These tabs stabilize the lateral position of the spring plate during rotation. A further view of this aspect of the technology is seen in Fig. 27.

[00105] Fig. 21 provides a top view of an isolated portion of a stabilizable articulation actuator 190 includes a finger lever 233, indexing disk 162, and tension cables 34a and 34b. Fig. 22 provides a top view with a slight proximal-looking angle of an exposed base portion of a stabilizable articulation actuator positioned within shaft rotator 141, showing the well or receptacle portion 151 into which a rotational stabilizable disk may be seated. Cross-struts or spokes 144 are arranged across the bottom of well 151. Detents 152 are arranged on the inner aspect of the receptacle or well 151.

[00106] Fig. 23 is an exploded top view with a slight distal-looking perspective of a stabilizable articulation actuator, showing the arrangement by which indexing disk 162 is rotatably seated into receptacle 151, which is housed in shaft rotator 141. Finger operable lever 233 is positioned above indexing disk 162, and spring plate 170 is positioned above the disk. A central pin 166 rotatably secures disk 162 within the receptacle, and secures the attachment of finger operable lever 233 within the assembled actuator. The bottom of pin 166 is seated in the receptacle in hole

159, it passes through the indexing disk through central disk hole 169, and the top of the pin terminates within a central hole 239 in the lever.

[00107] Fig. 24 is a perspective view of an indexing or rotational position stabilizable disk 162 constructed according to aspects of the technology, this embodiment comprising two spring portions or arms 164 that are biased in a circumferentially outward direction. Teeth 165 are positioned on the periphery of spring pieces 164. A central hole is positioned to accommodate a central mounting pin (see Fig. 23). Lever engagement posts 168 are positioned on the upper surface of the disk to provide connection sites for a finger operable lever.

[00108] Fig. 25 is a perspective view of an isolated portion of the device that shows the cooperative arrangement of a finger operable lever 233, a cable tension mechanism in the form of spring plate 170, and actuating wires 34a/34b that transit through cable transit holes 236 within the finger operable lever 233. Actuating cables 34a/34b communicate with a distally positioned articulation joint as seen in Figs. 1, 2, 15, and 17.

[00109] Fig. 26 is a front-facing perspective view of an aspect of a cable tensioning mechanism portion 170 of the stabilizable articulation actuator of the device. This particular embodiment of the cable tensioning mechanism comprises a spring plate with outward-facing slots 172 are configured to accommodate the proximal ends of tension cables 34a/34b, as seen in Fig. 25. Inward facing slots 174 are configured to accommodate stabilizing tabs positioned on a finger-operable lever, as seen in Fig. 27. The open-facing aspect of these slots is advantageous for ease in assembly of an electrosurgical device, and does not incur any loss of performance compared to the performance that would be provided by a circumferentially fully enclosed hole configuration.

[00110] Fig. 27 is a side view of a spring plate 170 aligned against a crossbar portion 235 of a finger operable lever. Shown in this view are stabilizing tabs 237 positioned on the proximal side of the crossbar, and inserted into inward facing slots 174. When the finger-operable lever is in a rotated position, these tabs, in position within the inward facing slots, prevent lateral slippage of the spring plate in the direction of the proximally pulled arm of the lever. This dynamic can be seen in Fig. 20, where the lower arm (in this view) of the spring plate is being held in place by a stabilizing tab against a ledge provided by an inward facing slot.

[00111] The spring plate shown in Figs. 26 and 27 is provided as an example of a cable tensioning mechanism; the arrangement of the spring plate with the crossbar of the finger-

operable lever is but one of several arrangements that are also included as embodiments of the technology. The cable tensioning mechanism may be affixed to the finger operable lever, or it may be secured to the finger operable lever in an unfixed manner, as in the illustrated embodiment, where the tension of cables **34a/34b**, in conjunction with terminal balls **34c**, maintains the attachment of the spring plate against the lever. Additional embodiments of the technology include finger operable lever and a cable tensioning mechanism as an integral element. The arrangement depicted **Fig. 27** is advantageous in terms of ease of assembly.

[00112] **Fig. 28** is a flow diagram of an aspect of a method for articulating an articulable joint and stabilizing it at a desired angle of articulation. Steps depicted in **Fig. 28** show movements that ultimately articulate an end effector, and show a transition of moveable states to stabilized states that support the end effector in a particular angle of articulation. The diagram depicts movement associated with articulation from a rotational movement of the rotational actuator, including rotation of a finger operable lever and associated rotation of a rotationally stabilizable disk, translational movement (in distal and proximal directions) of force transfer cables, and articulating movement of an articulable joint and, finally, articulating movement of a set of jaws. The rotational position of the rotationally stabilizable disk occurs within a well, and includes rotation of a set of teeth through alternating portions of a rotatable arc wherein the teeth are engaged within (engaged) or between detents (unengaged) with a series of complementary detents. A position in which the teeth are engaged in a detent (in some embodiments, two or more adjacent teeth in two or more adjacent detents) represents a stable position that manifests as a point of rotational resistance that is felt by an operator rotating the finger operable lever. The stabilization of the lever consequently stabilizes the translational movement of the force transfer cables, which in turn stabilizes the articulated angle of the articulable joint, which, in turn, stabilizes the articulated angle of the jaws.

[00113] Unless defined otherwise, all technical terms used herein have the same meanings as commonly understood by one of ordinary skill in the art of surgery, including electrosurgery. Specific methods, devices, and materials are described in this application, but any methods and materials similar or equivalent to those described herein can be used in the practice of the present technology. While embodiments of the technology have been described in some detail and by way of illustrations, such illustration is for purposes of clarity of understanding only, and is not

intended to be limiting. Various terms have been used in the description to convey an understanding of the technology; it will be understood that the meaning of these various terms extends to common linguistic or grammatical variations or forms thereof. It will also be understood that when terminology referring to devices or equipment, that these terms or names are provided as contemporary examples, and the technology is not limited by such literal scope. Terminology that is introduced at a later date that may be reasonably understood as a derivative of a contemporary term or designating of a hierarchal subset embraced by a contemporary term will be understood as having been described by the now contemporary terminology. Further, while some theoretical considerations may have been advanced in furtherance of providing an understanding of the technology, the appended claims to the technology are not bound by such theory. Moreover, any one or more features of any embodiment of the technology can be combined with any one or more other features of any other embodiment of the technology, or with any technology described in the patent applications or issued patents that have been incorporated by reference, without departing from the scope of the technology. Still further, it should be understood that the technology is not limited to the embodiments that have been set forth for purposes of exemplification, but is to be defined only by a fair reading of claims appended to the patent application, including the full range of equivalency to which each element thereof is entitled.

CLAIMS

1. **An electrosurgical instrument**, comprising:
 - an elongated shaft having an end effector associated with a distal end thereof and a handle associated with a proximal end thereof, the end effector enabled to deliver radiofrequency energy to a target site;
 - an articulable joint positioned between the shaft and the end effector, the joint configured to articulate the end effector angularly within an arc of articulation, the articulable joint comprising at least one pivotable link positioned between a distal end of the shaft and a proximal end of the end effector;
 - a stabilizable articulation actuator disposed proximal to the articulable joint and adapted to control the angle of articulation of the articulable joint; and
 - at least two force transfer member portions operably connected at their proximal end to the articulation actuator, and operably connected at their distal end through the articulable joint to a proximal portion of the end effector, thereby allowing rotational movement of the articulation actuator to be translated into articulating movement of the end effector, wherein the stabilizable articulation actuator is configured to stabilize the articulable joint at a stable angle by stabilizing the force transfer member portions, the stable angle of the articulable joint being any one of a set of angles spaced apart at intervals within the arc of joint articulation.
2. The instrument of claim 1, wherein the stabilizable articulation actuator comprises:
 - a rotationally stabilizable disk seated in a well;
 - a finger operable lever configured to rotate the rotationally stabilizable disk, the lever comprising two opposing arms, each arm of the lever connected to one of the at least two force transfer member portions, the lever configured such that its rotation moves a first transfer member portion in a proximal direction and a second member portion in a distal direction.
3. The instrument of claim 1, further comprising a shaft rotator disposed proximal to the articulable joint, the shaft rotator configured to rotate the shaft with respect to the handle, the stabilizable articulation actuator disposed within or in association with the shaft rotator.

4. The instrument of claim 2, wherein the rotationally stabilizable disk comprises at least one spring portion biased circumferentially outwardly against a wall of the circular well, a circumferentially peripheral edge of the spring portion comprising one or more teeth, the wall of the circular well comprising one or more detents, the one or more teeth and the one or more detents configured to be mutually engageable.
5. The instrument of claim 2, wherein the rotationally stabilizable disk and the well in which it sits are adapted to stabilize rotation of the disk at any one position of a set of stable positions spaced apart at intervals within an arc of disk rotation.
6. The instrument of claim 5, wherein the arc of rotation of the rotationally stabilizable disk encompasses about 90 degrees, including about 45 degrees in either direction from a neutral position wherein the finger operable lever is orthogonal to the shaft.
7. The instrument of claim 5, wherein the articulable joint is adapted to stabilize at a set of stable positions spaced apart at intervals that substantially correspond to the stable positions of the rotationally stabilizable disk.
8. The instrument of claim 2, wherein the rotationally stabilizable disk and the well in which it sits are configured such that the disk can be stabilized at a position by a level of resistance to rotation of the disk that can be overcome by application of torque to the finger operable lever.
9. The instrument of claim 2, wherein the rotationally stabilizable disk and the well in which it sits are configured such that rotation of the disk through a stable position requires applying a torque to the mechanism via the finger operable lever that is greater than the torque required to rotate the disk through portions of the arc between the stable angle positions.
10. The instrument of claim 2, wherein the stabilizable articulation actuator further comprises a force member tensioning mechanism associated with the rotatable finger-operable lever, the force member tensioning mechanism configured to apply tension to the at least two force transfer members.

11. The instrument of claim 10 wherein the force member tensioning mechanism comprises a spring plate comprising two opposing arms, at least one of the at least two force transfer member portions being threaded through each arm of the rotatable finger-operable lever, through the spring plate, and terminating proximal to the spring plate.
12. The instrument of claim 1, wherein the articulation actuator is further configured to stabilize the end effector at a stable angle, the stable angle of the end effector being any one of a set of angles spaced apart at intervals within the arc of end effector articulation.
13. The instrument of claim 1, wherein the at least one link of the articulable joint and the distal end of the shaft and the proximal end of the end effector comprise ball-like projections engageable in complementary grooves.
14. The instrument of claim 1, wherein the articulable joint comprises a set of two or more interconnected links positioned between the distal end of the shaft and the proximal end of the end effector
15. The instrument of claim 1, wherein the articulable joint is configured to pivot the end effector within an arc of about 90 degrees, the 90 degree arc including about 45 degrees in either direction from a neutral position.
16. The instrument of claim 1, wherein the end effector is a set of jaws, the instrument further comprising a blade and a blade drive member collectively configured to be able to separate tissue at a target site into two portions when the tissue is being grasped by the set of jaws.
17. The instrument of claim 16, wherein the blade is configured to reside in a home position distal to the articulable joint, and to be able to move distally within the set of jaws.
18. The instrument of claim 16, wherein the blade driving member is disposed through the articulable joint, and operable in any position of articulation.
19. The instrument of claim 16, wherein the blade driving member is configured as a push and pull mechanism.
20. **An electrosurgical instrument**, comprising:

an elongated shaft having a set of jaws associated with a distal end thereof, the set of jaws enabled to deliver radiofrequency energy to a target site;

an articulable joint positioned between the shaft and the set of jaws, the joint configured to articulate the set of jaws angularly within an arc of articulation, the articulable joint comprising at least one pivotable link positioned between a distal end of the shaft and a proximal end of the set of jaws;

a stabilizable articulation actuator disposed proximal to the shaft adapted to control the angle of articulation of the articulable joint; and

at least two force transfer member portions operably connected at their proximal end to the articulation actuator, and operably connected at their distal end through the articulable joint to a proximal portion of the end effector, thereby allowing rotational movement of the articulation actuator to be translated into articulating movement of the end effector, wherein the stabilizable articulation actuator is configured to stabilize the articulable joint at a stable angle by stabilizing the force transfer member portions, the stable angle of the articulable joint being any one of a set of angles spaced apart at intervals within the arc of joint articulation.

21. An electrosurgical instrument, comprising:

a set of jaws enabled to deliver radiofrequency energy to a target site;

an articulable joint positioned distal to a base, the joint configured to articulate the set of jaws angularly within an arc of articulation, the articulable joint comprising at least one pivotable link positioned between the base and a proximal end of the set of jaws;

a stabilizable articulation actuator disposed in association with the base and adapted to control the angle of articulation of the articulable joint; and

at least two force transfer member portions operably connected at their proximal end to the articulation actuator, and operably connected at their distal end through the articulable joint to a proximal portion of the end effector, thereby allowing rotational movement of the articulation actuator to be translated into articulating movement of the end effector, wherein the stabilizable articulation actuator is configured to stabilize the articulable joint at a stable angle by stabilizing the force transfer member portions, the stable angle of the articulable joint being any one of a set of angles spaced apart at intervals within the arc of joint articulation.

- 22. A method of electrosurgical tissue sealing**, comprising:
moving a set of electrosurgical jaws of an electrosurgical instrument into a proximity of a target tissue site, the set of jaws positioned distal to an articulable joint;
rotating a stabilizable articulation actuator with a finger operable lever to a desired rotational position, thereby articulating the articulable joint to a desired angle of articulation; and
stabilizing the stabilizable articulation actuator in the desired rotational position, thereby stabilizing the articulable joint in the desired angle of articulation.
23. The method of claim 22, wherein rotating the stabilizable articulation actuator comprises rotating a rotationally stabilizable disk.
24. The method of claim 22, wherein stabilizing the stabilizable articulation actuator comprises stabilizing a rotationally stabilizable disk.
25. The method of claim 22, further comprising articulating the set of jaws in accordance with rotating the stabilizable articulation actuator.
26. The method of claim 22, further comprising stabilizing the set of jaws in a desired angle of articulation in accordance with stabilizing the articulable joint in the desired angle of articulation.
27. The method of claim 22, wherein the desired angle of articulation of the articulable joint is one such that the jaws are in an angle such that, when closed, the jaws will grasp the target tissue.
28. The method of claim 22 further comprising rotating a finger-operable lever associated with the articulation actuator, thereby rotating the rotationally stabilizable disk.
29. The method of claim 22, further comprising driving movement of at least two force transfer member portions in accordance with rotating the rotationally stabilizable disk.
30. The method of claim 22, wherein articulating the set of jaws comprises pivoting the set of jaws within an arc of about 45 degrees in either direction from a centerline within a plane, thereby providing a total pivotable range of about 90 degrees.

31. The method of claim 22, wherein the articulable joint comprises one or more pivotable links positioned between a distal end of a shaft of the instrument and a proximal end of the jaws, and wherein articulating the articulable joint comprises pivoting the one or more pivotable links with respect to each other or with respect to the distal end of the shaft or the proximal end of the jaws.
32. The method of claim 22, wherein the jaws, when closed, have a central longitudinal axis, and wherein moving the set of jaws into the proximity of the target site comprises rotating the set of jaws about their central longitudinal axis.
33. The method of claim 22, wherein moving the set of jaws into the proximity of the target site comprises advancing the jaws through a trocar into a laparoscopic operating space.
34. The method of claim 22, wherein stabilizing the stabilizable articulation actuator comprises rotating a lever of a stabilizable articulation actuator through a portion of an arc of relatively low rotational resistance until the lever encounters a position of relatively high rotational resistance, such position being a position of articulated stability.
35. The method of claim 22, wherein stabilizing the stabilizable articulation actuator comprises rotating a lever of a stabilizable actuator through a portion of an arc that may include one or more regions of moderate rotational resistance and one or more regions of high rotational resistance, until the lever encounters a particular position of high rotational resistance wherein the jaws are in a desired position of articulation.
36. **A method of articulating and stabilizing an electrosurgical end effector**, wherein articulating the end effector comprises:
 - rotating a finger operable lever;
 - rotating a stabilizable rotatable disk;
 - moving force transfer member portions translationally;
 - articulating an articulable joint; and
 - articulating the end effector; andwherein stabilizing the end effector comprises:
 - stabilizing the stabilizable rotatable disk at a desired rotational position;
 - stabilizing the finger operable lever at the desired rotational position;

stabilizing the translation of force transfer member portions at a desired translational position;

stabilizing the articulable joint at a desired angle of articulation; and

stabilizing the end effector at the desired angle of articulation.

AMENDED CLAIMS

received by the International Bureau on 17 August 2012 (17.08.2012)

CLAIMS

1. An electrosurgical instrument, comprising:

an elongated shaft having an end effector associated with a distal end thereof and
5 a handle associated with a proximal end thereof, the end effector enabled to deliver
radiofrequency energy to a target site;

an articulable joint positioned between the shaft and the end effector, the joint
configured to articulate the end effector angularly within an arc of articulation, the
articulable joint comprising at least one pivotable link positioned between a distal end of
10 the shaft and a proximal end of the end effector;

a stabilizable articulation actuator disposed proximal to the articulable joint and
adapted to control the angle of articulation of the articulable joint; and

at least two force transfer member portions operably connected at their proximal
end to the articulation actuator, and operably connected at their distal end through the
15 articulable joint to a proximal portion of the end effector, thereby allowing rotational
movement of the articulation actuator to be translated into articulating movement of the
end effector,

wherein the stabilizable articulation actuator is configured to stabilize the
articulable joint at a stable angle by stabilizing the force transfer member portions, the
20 stable angle of the articulable joint being any one of a set of angles spaced apart at
intervals within the arc of joint articulation,

wherein the stabilizable articulation actuator comprises:

a rotationally stabilizable disk seated in a well;

a finger operable lever configured to rotate the rotationally stabilizable disk, the
25 lever comprising two opposing arms, each arm of the lever connected to one of the at
least two force transfer member portions, the lever configured such that its rotation
moves a first transfer member portion in a proximal direction and a second member
portion in a distal direction,

wherein the stabilizable articulation actuator further comprises a force member
30 tensioning mechanism associated with the rotatable finger-operable lever, the force
member tensioning mechanism configured to apply tension to the at least two force
transfer members,

wherein the force member tensioning mechanism comprises a spring plate
comprising two opposing arms, at least one of the at least two force transfer member

portions being threaded through each arm of the rotatable finger-operable lever, through the spring plate, and terminating proximal to the spring plate.

5 2. The instrument of claim 1, further comprising a shaft rotator disposed proximal to the articulable joint, the shaft rotator configured to rotate the shaft with respect to the handle, the stabilizable articulation actuator disposed within or in association with the shaft rotator.

10 3. The instrument of claim 1, wherein the rotationally stabilizable disk comprises at least one spring portion biased circumferentially outwardly against a wall of the circular well, a circumferentially peripheral edge of the spring portion comprising one or more teeth, the wall of the circular well comprising one or more detents, the one or more teeth and the one or more detents configured to be mutually engageable.

15 4. The instrument of claim 1, wherein the rotationally stabilizable disk and the well in which it sits are adapted to stabilize rotation of the disk at any one position of a set of stable positions spaced apart at intervals within an arc of disk rotation.

20 5. The instrument of claim 4, wherein the arc of rotation of the rotationally stabilizable disk encompasses about 90 degrees, including about 45 degrees in either direction from a neutral position wherein the finger operable lever is orthogonal to the shaft.

25 6. The instrument of claim 4, wherein the articulable joint is adapted to stabilize at a set of stable positions spaced apart at intervals that substantially correspond to the stable positions of the rotationally stabilizable disk.

30 7. The instrument of claim 1, wherein the rotationally stabilizable disk and the well in which it sits are configured such that the disk can be stabilized at a position by a level of resistance to rotation of the disk that can be overcome by application of torque to the finger operable lever.

8. The instrument of claim 1, wherein the rotationally stabilizable disk and the well in which-it sits are configured such that rotation of the disk through a stable position

requires applying a torque to the mechanism via the finger operable lever that is greater than the torque required to rotate the disk through portions of the arc between the stable angle positions.

5 9. The instrument of claim 1, wherein the articulation actuator is further configured to stabilize the end effector at a stable angle, the stable angle of the end effector being any one of a set of angles spaced apart at intervals within the arc of end effector articulation.

10 10. The instrument of claim 1, wherein the at least one link of the articulable joint and the distal end of the shaft and the proximal end of the end effector comprise ball-like projections engageable in complementary grooves.

15 11. The instrument of claim 1, wherein the articulable joint comprises a set of two or more interconnected links positioned between the distal end of the shaft and the proximal end of the end effector

20 12. The instrument of claim 1, wherein the articulable joint is configured to pivot the end effector within an arc of about 90 degrees, the 90 degree arc including about 45 degrees in either direction from a neutral position.

25 13. The instrument of claim 1, wherein the end effector is a set of jaws, the instrument further comprising a blade and a blade drive member collectively configured to be able to separate tissue at a target site into two portions when the tissue is being grasped-by the set of jaws.

30 14. The instrument of claim 13, wherein the blade is configured to reside in a home position distal to the articulable joint, and to be able to move distally within the set of jaws.

15. The instrument of claim 13, wherein the blade driving member is disposed through the articulable joint, and operable in any position of articulation.

16. The instrument of claim 13, wherein the blade driving member is configured as a push and pull mechanism.

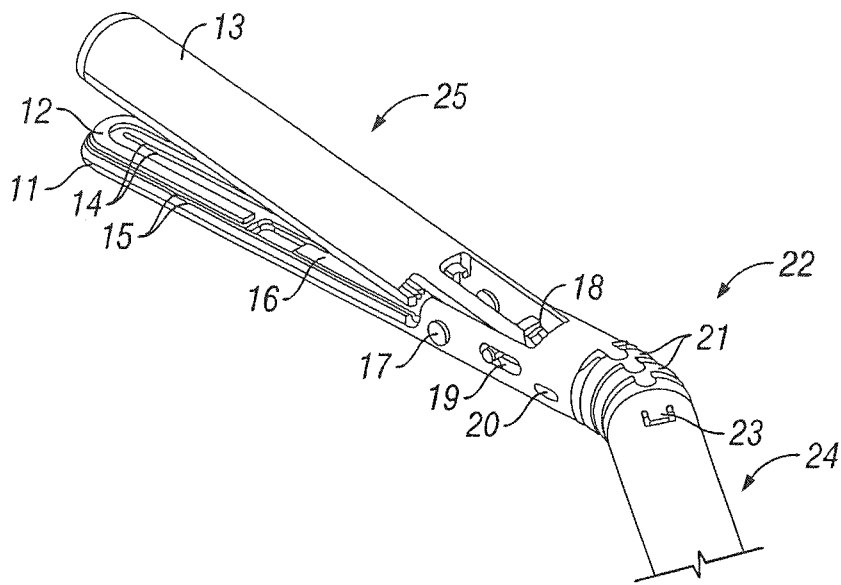


FIG. 1

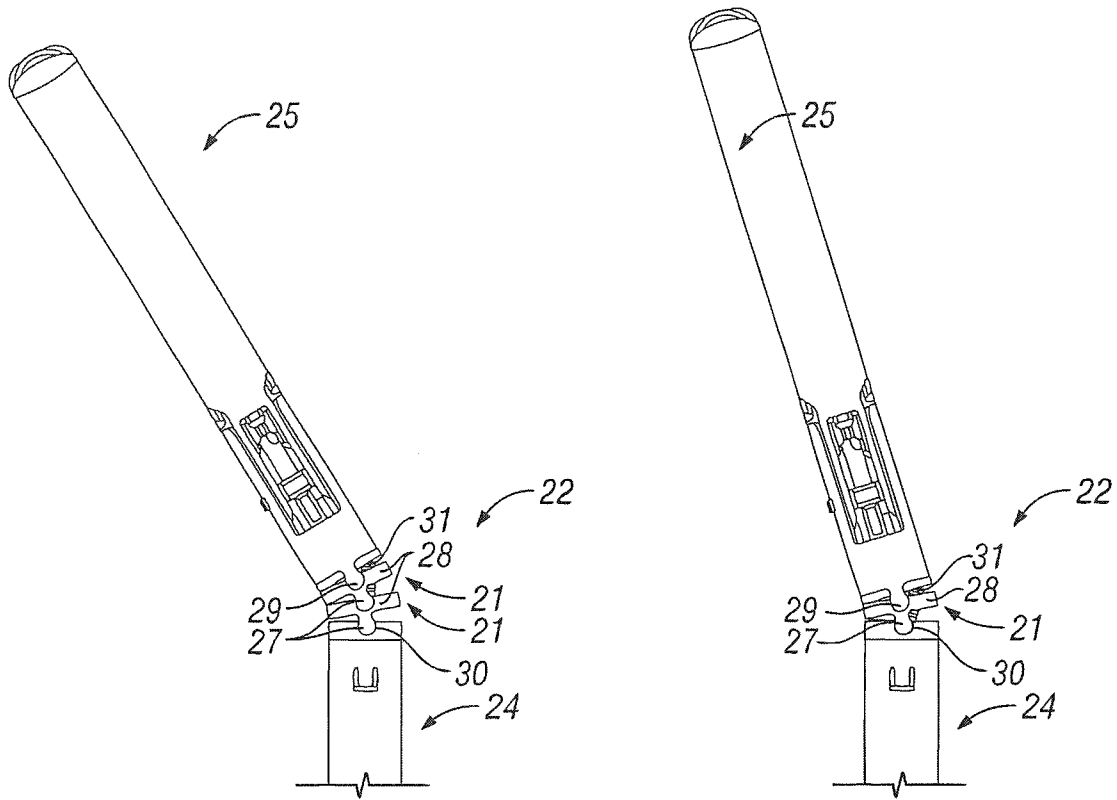


FIG. 2A

FIG. 2B

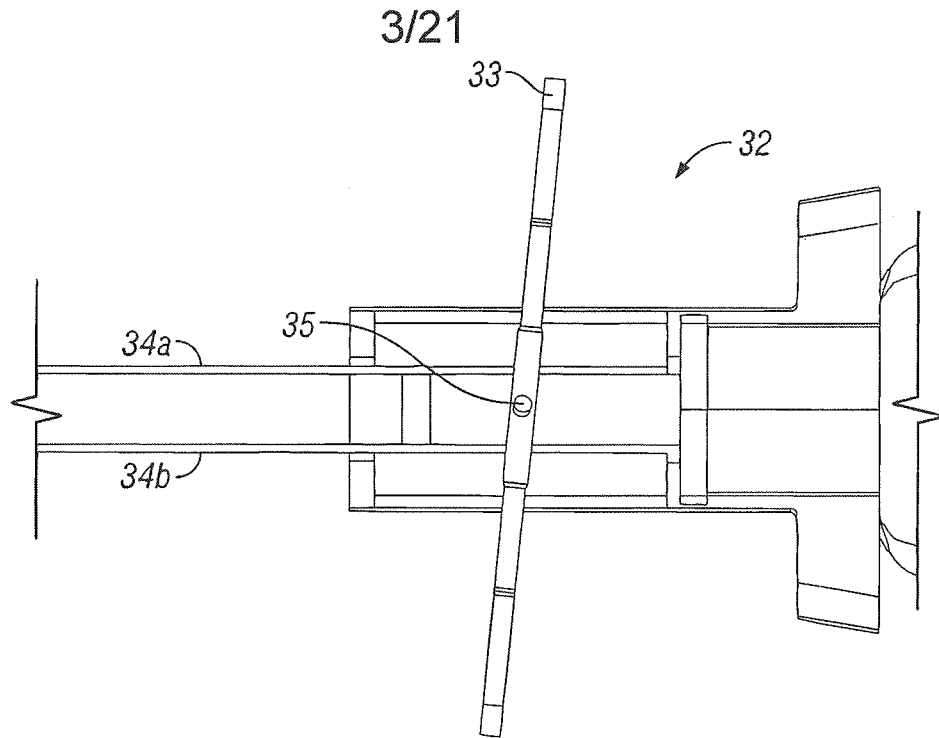


FIG. 3

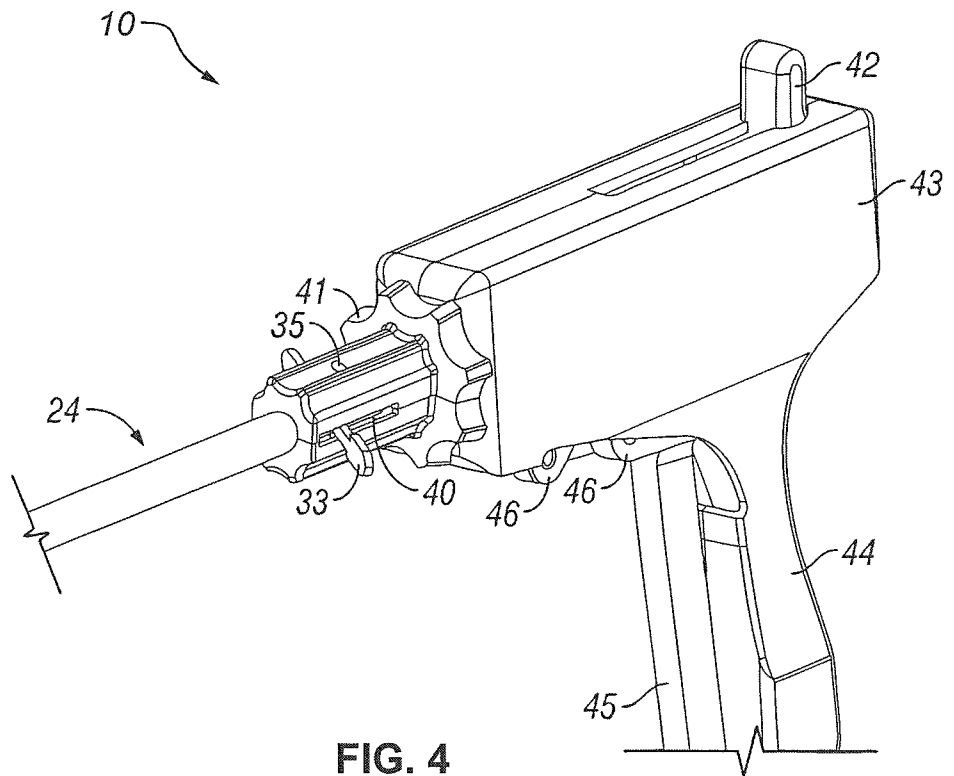


FIG. 4

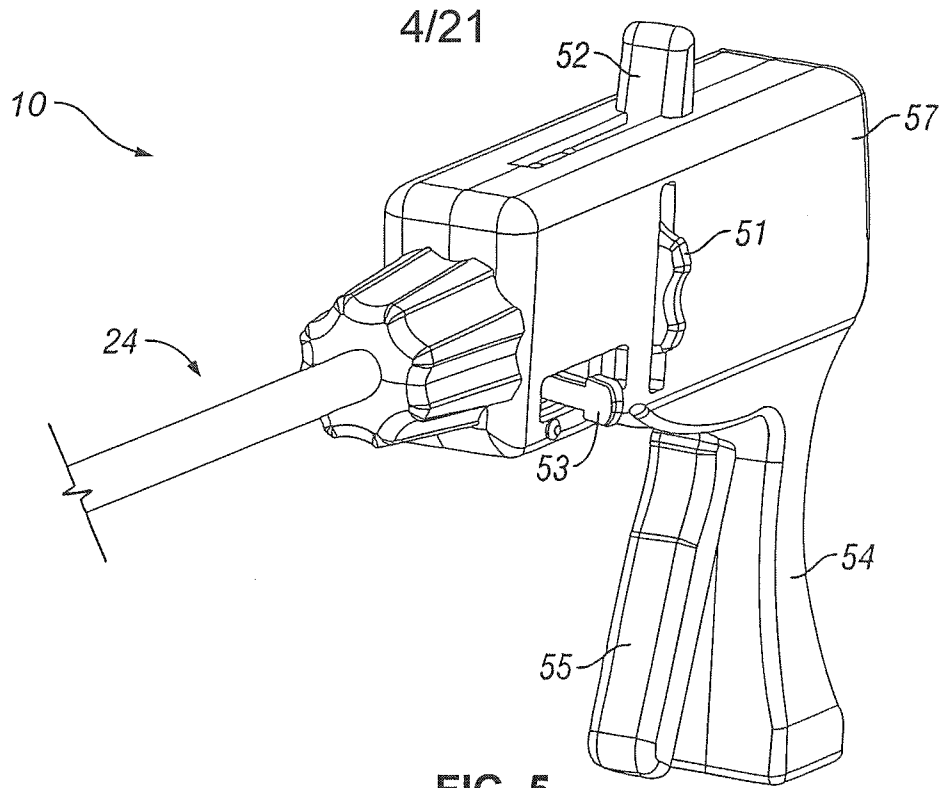


FIG. 5

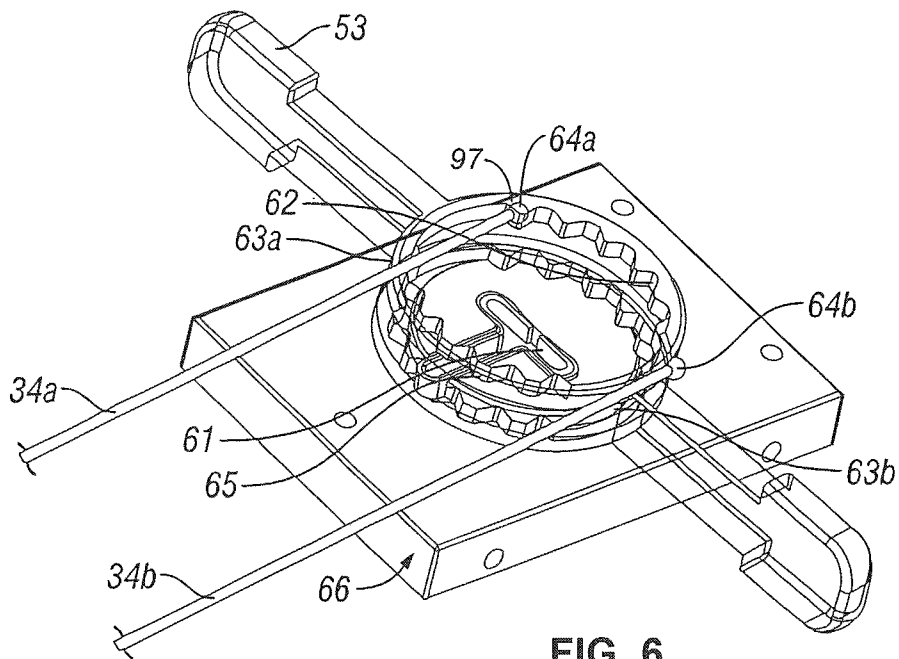


FIG. 6

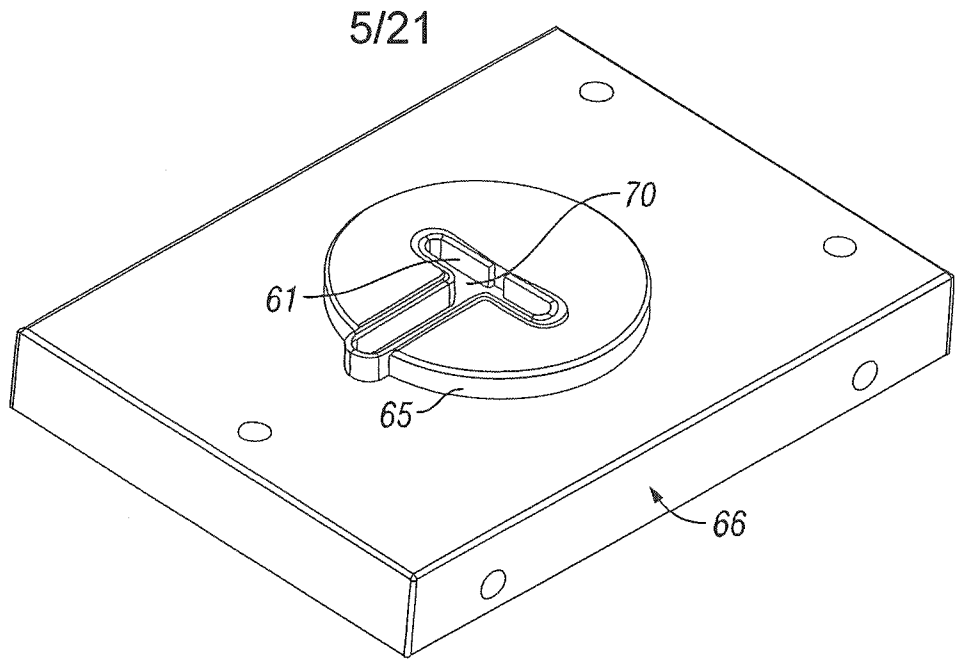


FIG. 7

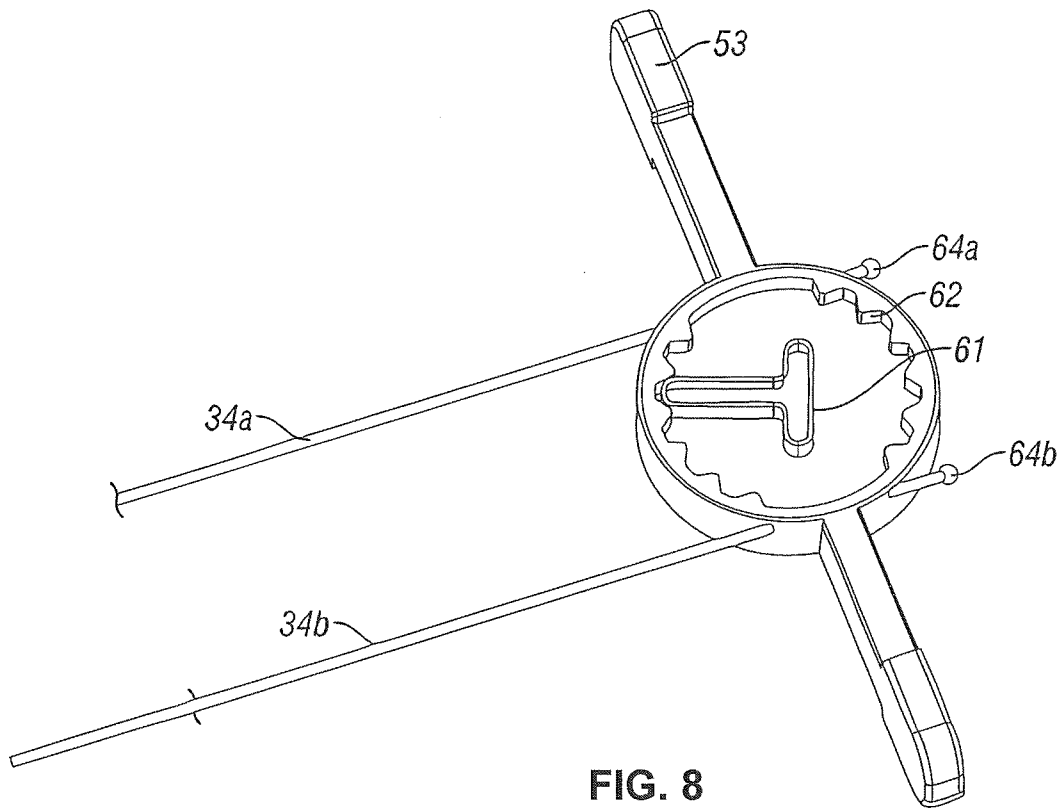


FIG. 8

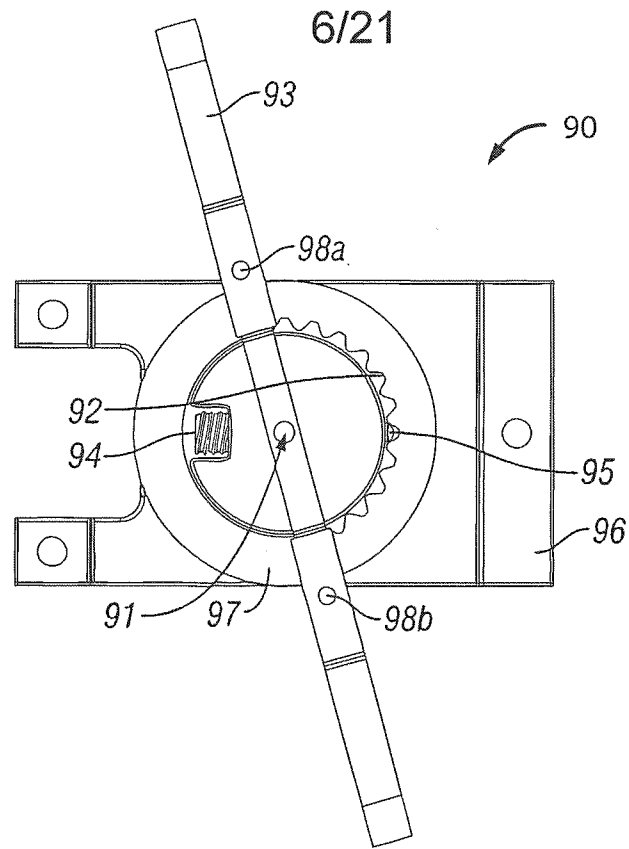


FIG. 9

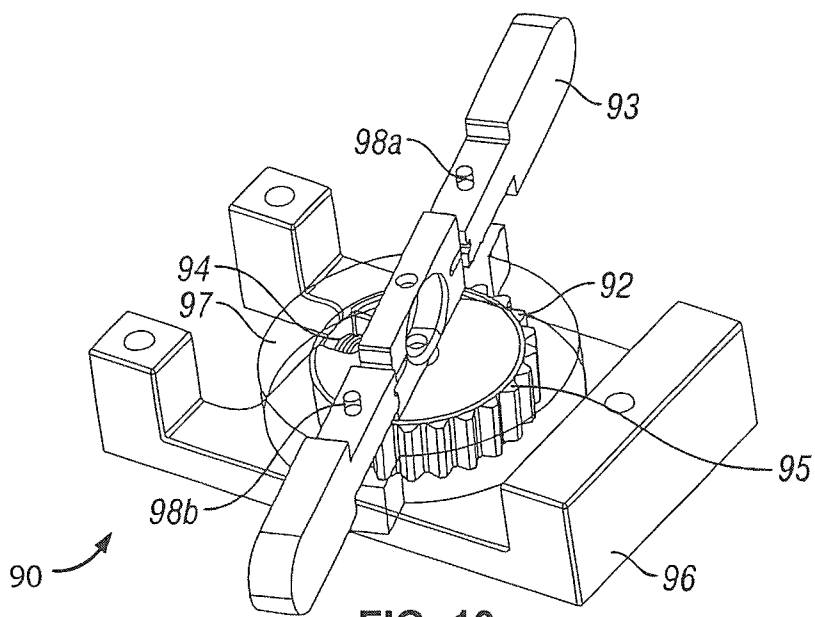


FIG. 10

7/21

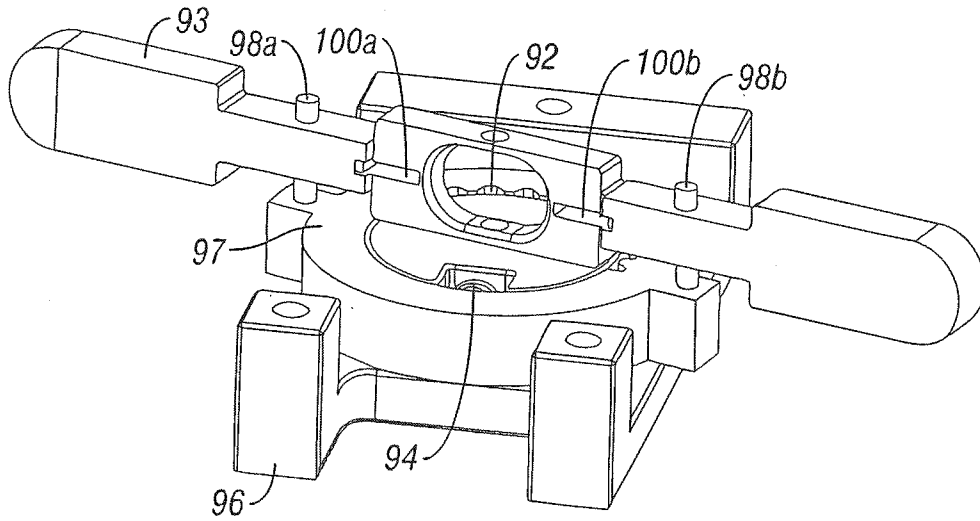


FIG. 11

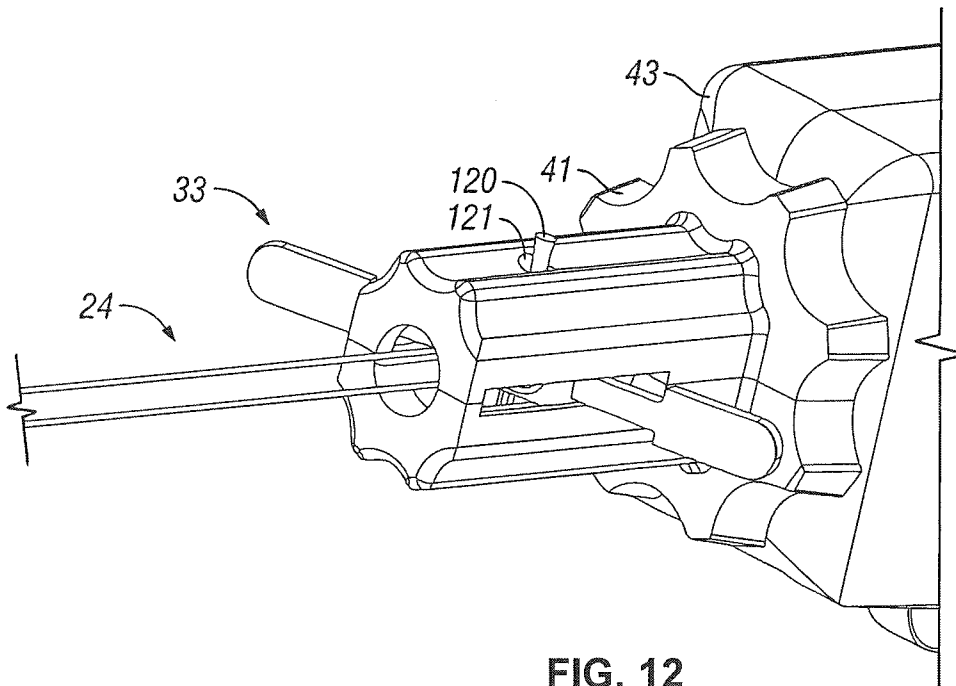


FIG. 12

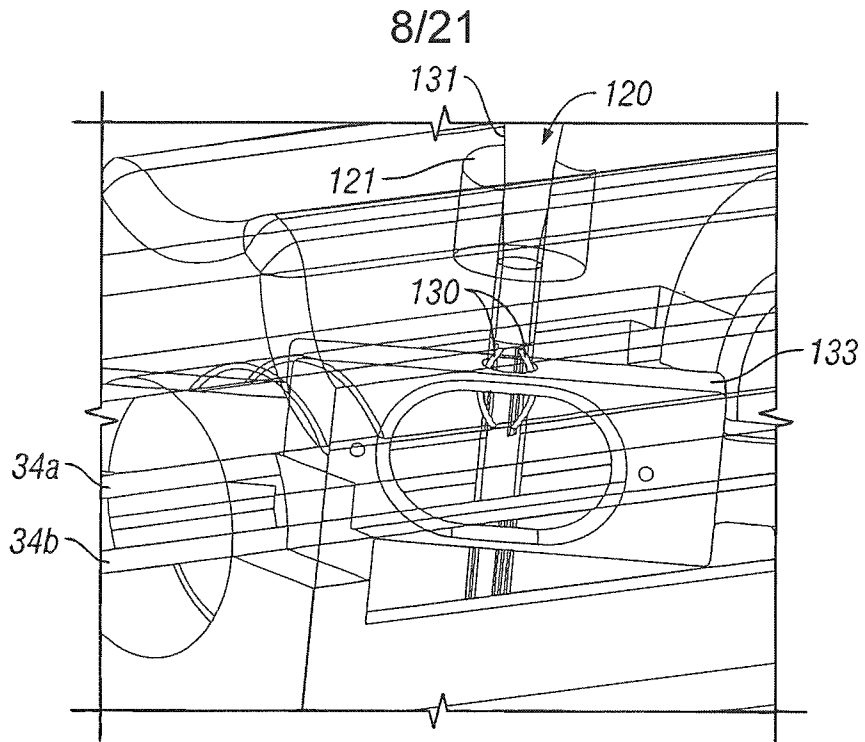


FIG. 13

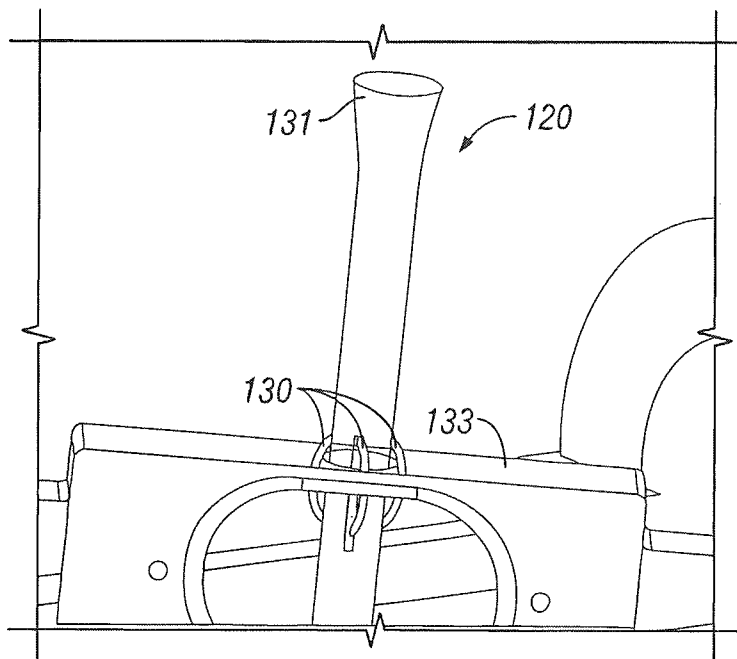


FIG. 14

9/21

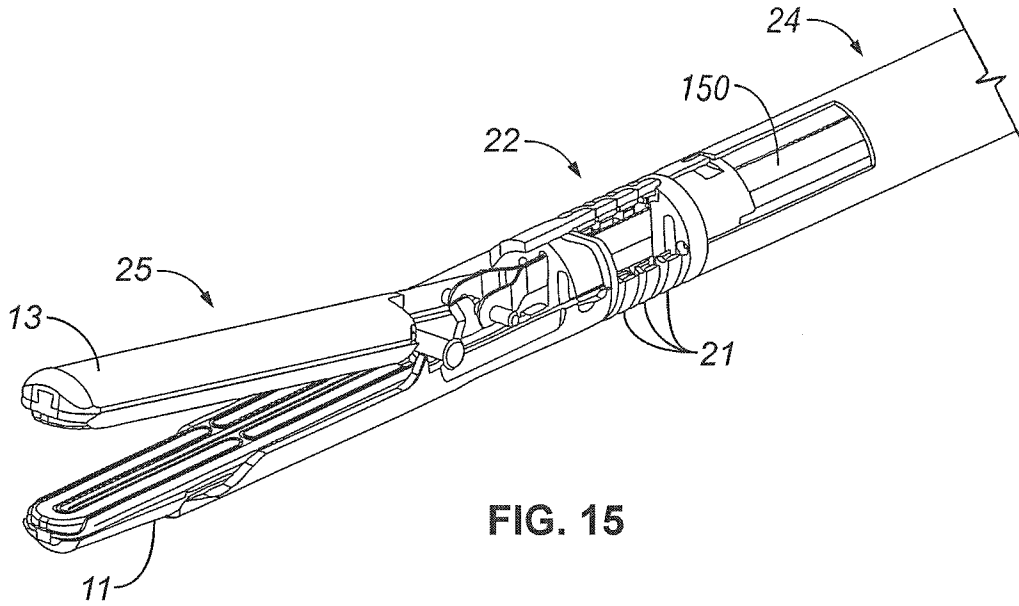


FIG. 15

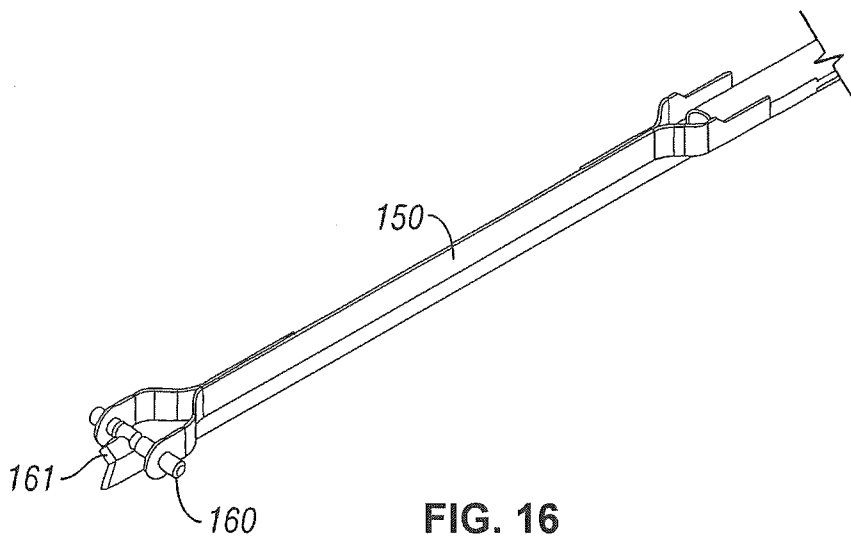


FIG. 16

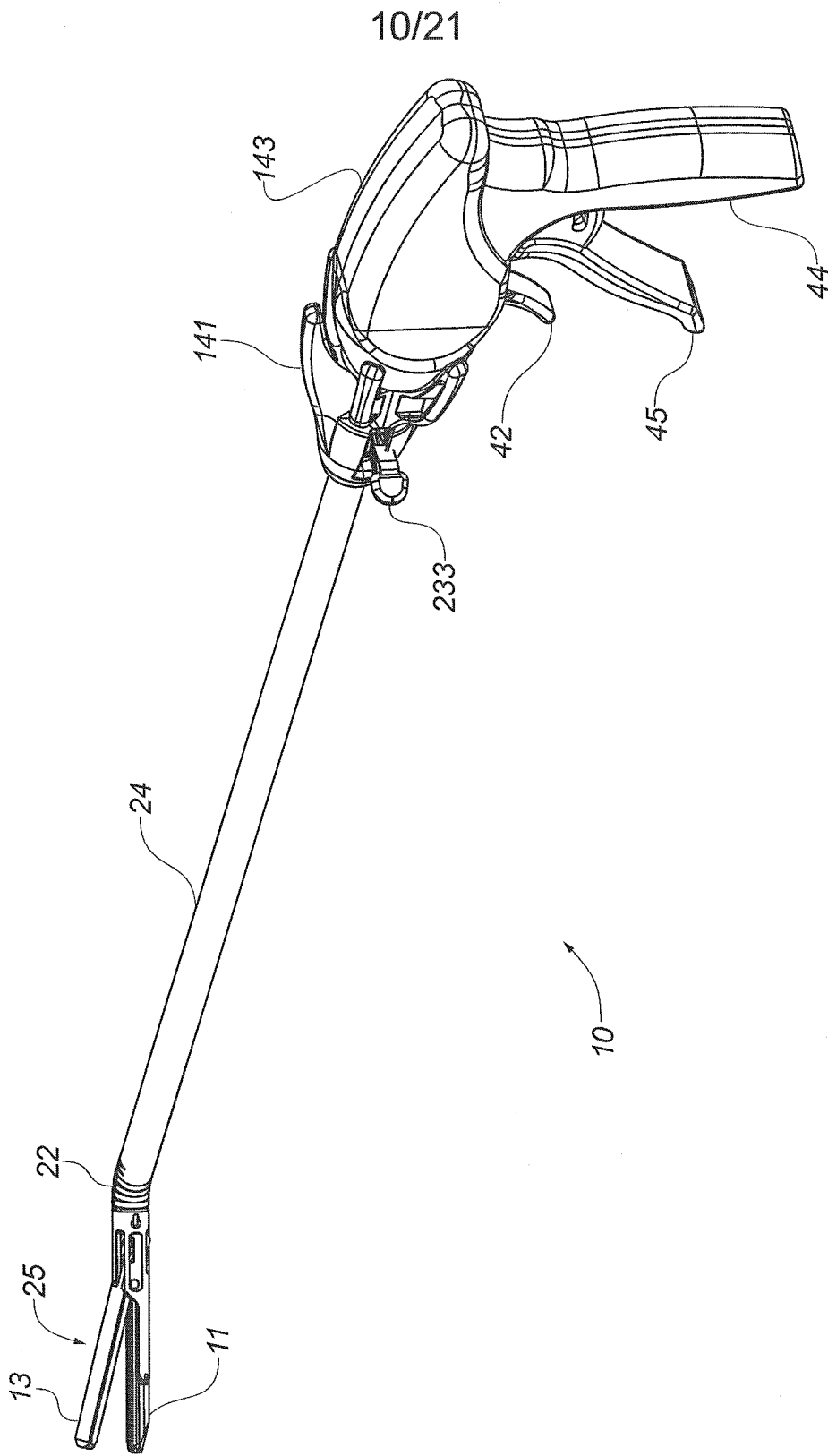


FIG. 17

11/21

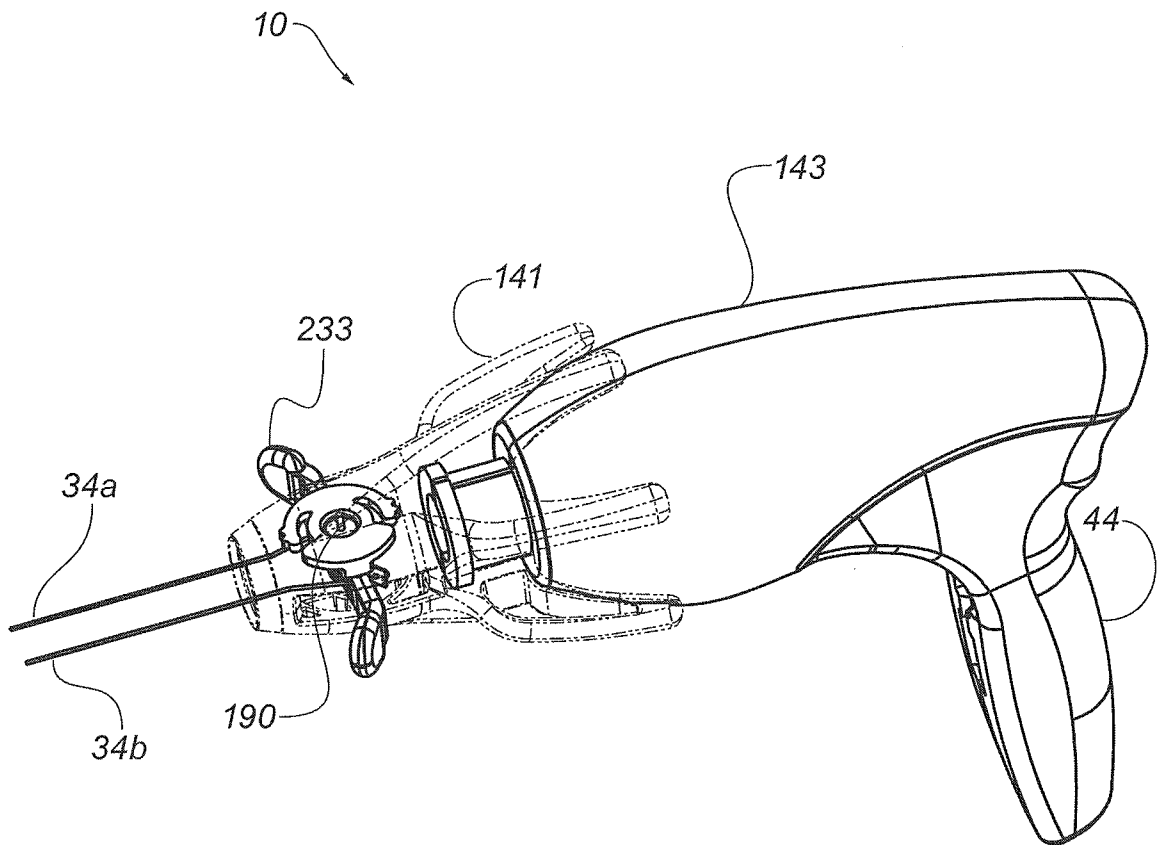


FIG. 18

12/21

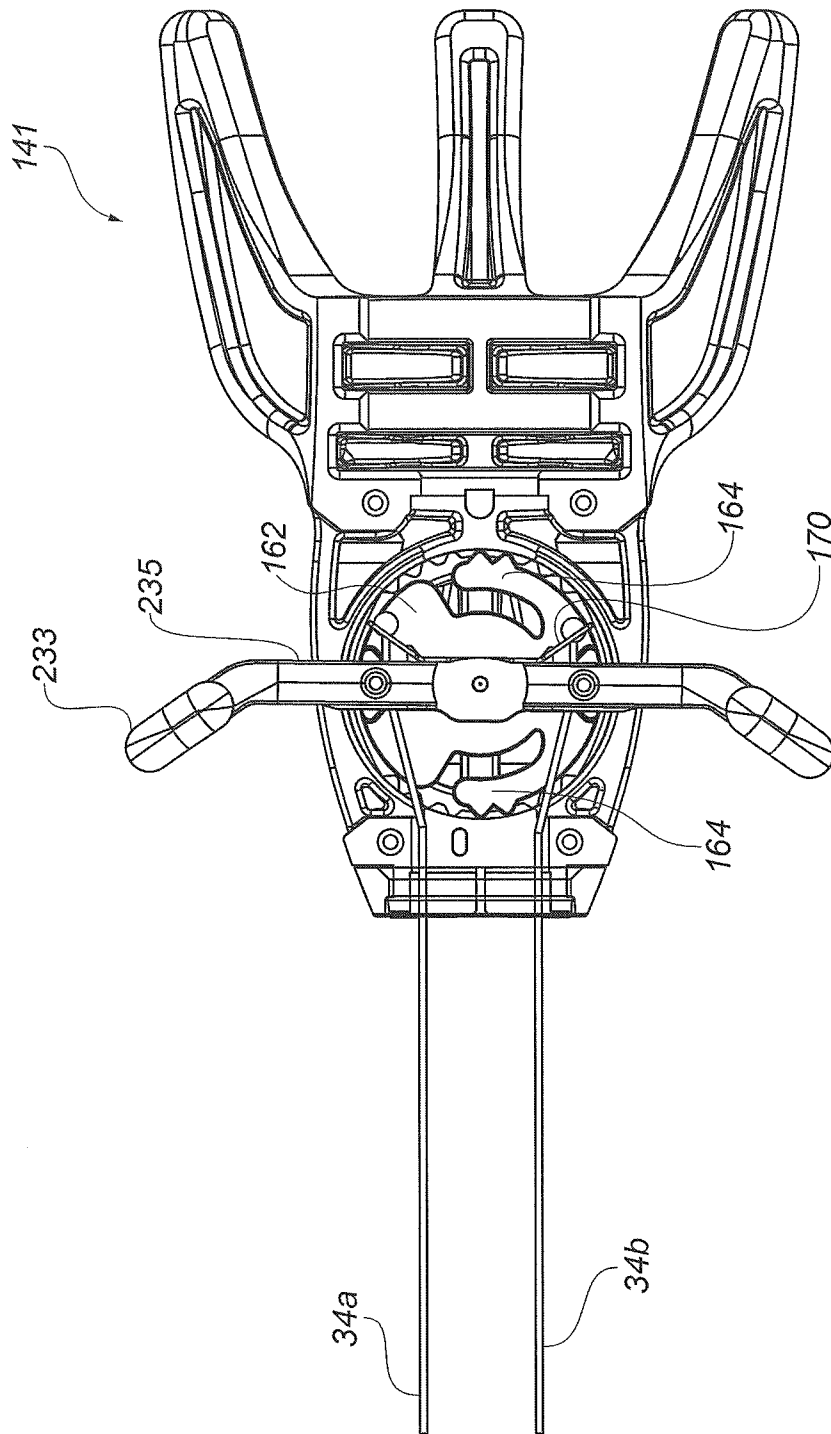


FIG. 19

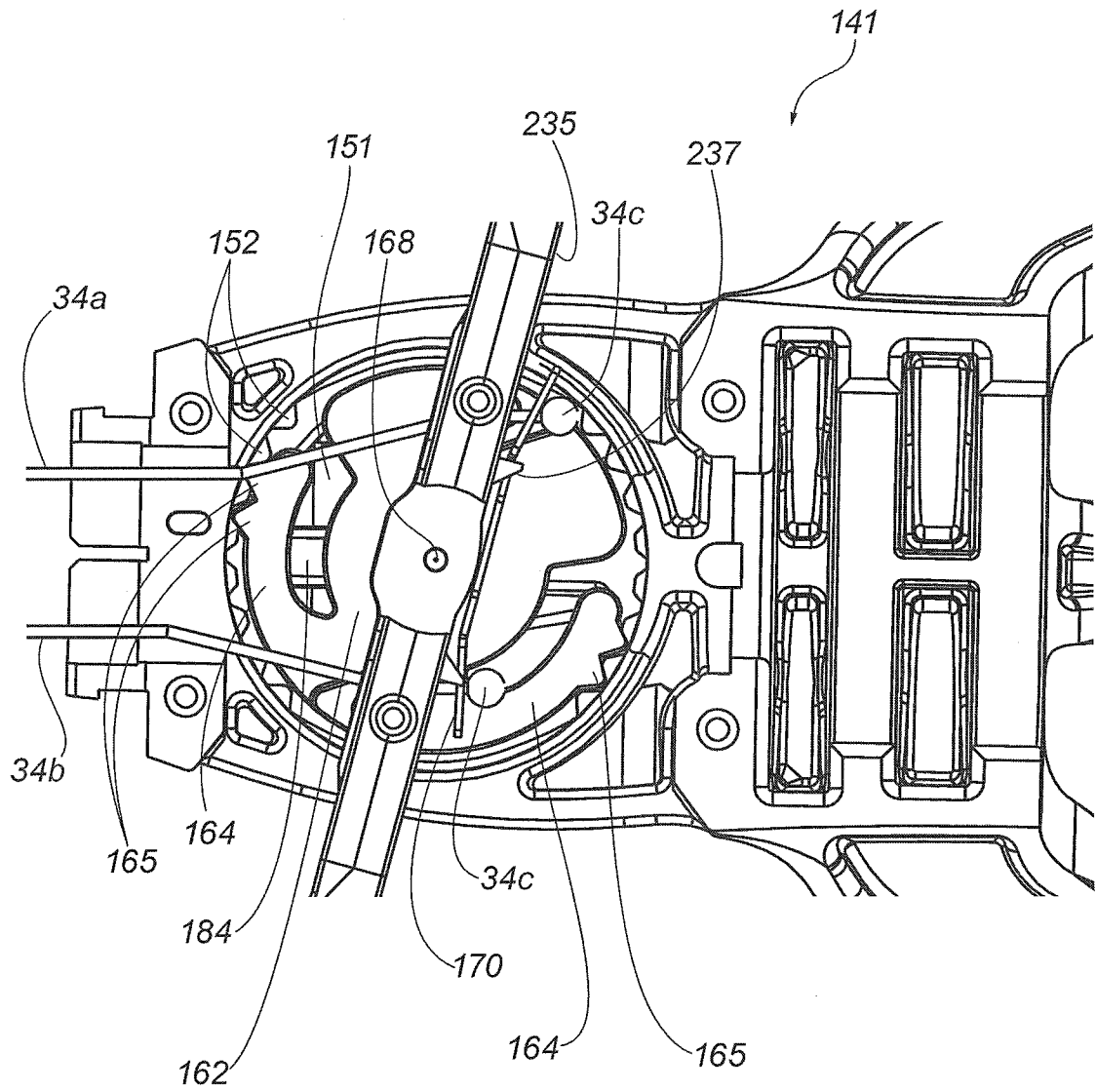


FIG. 20

14/21

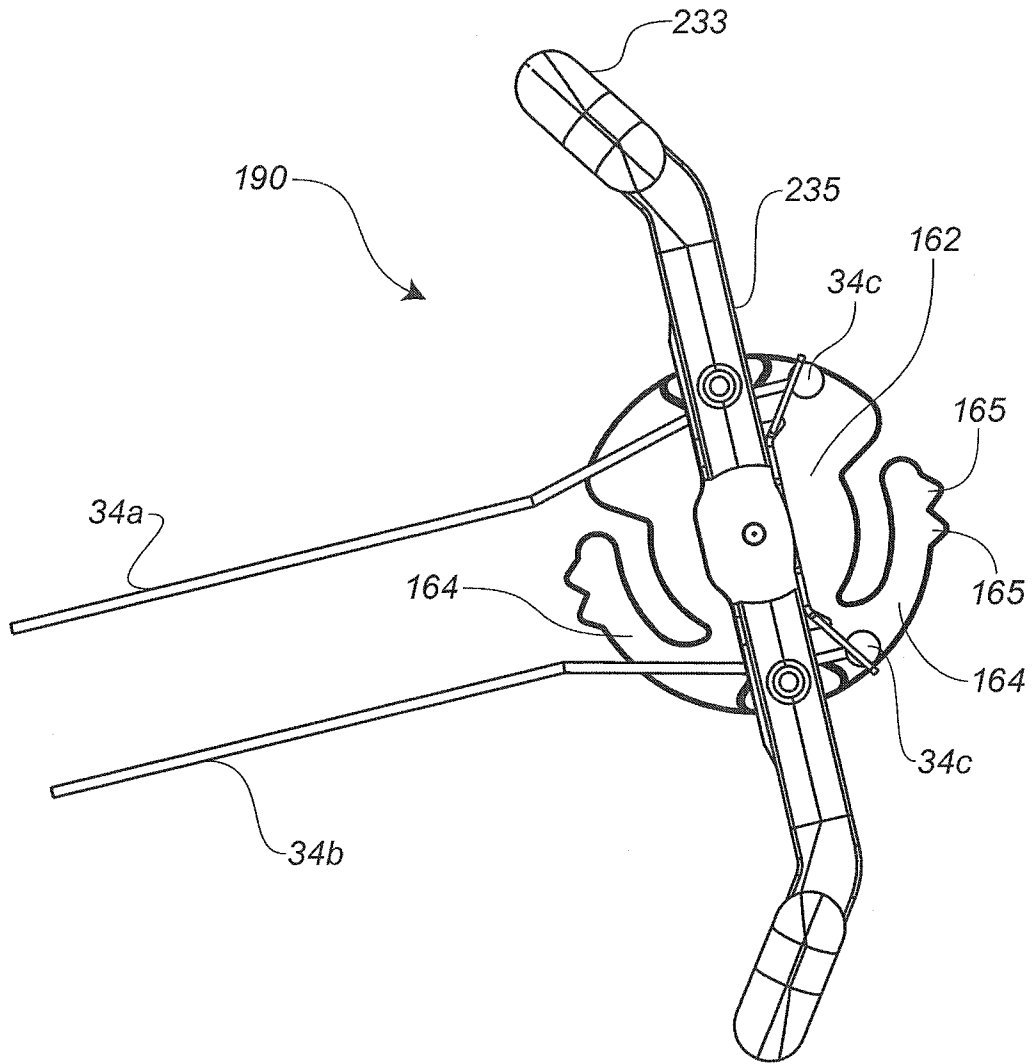


FIG. 21

15/21

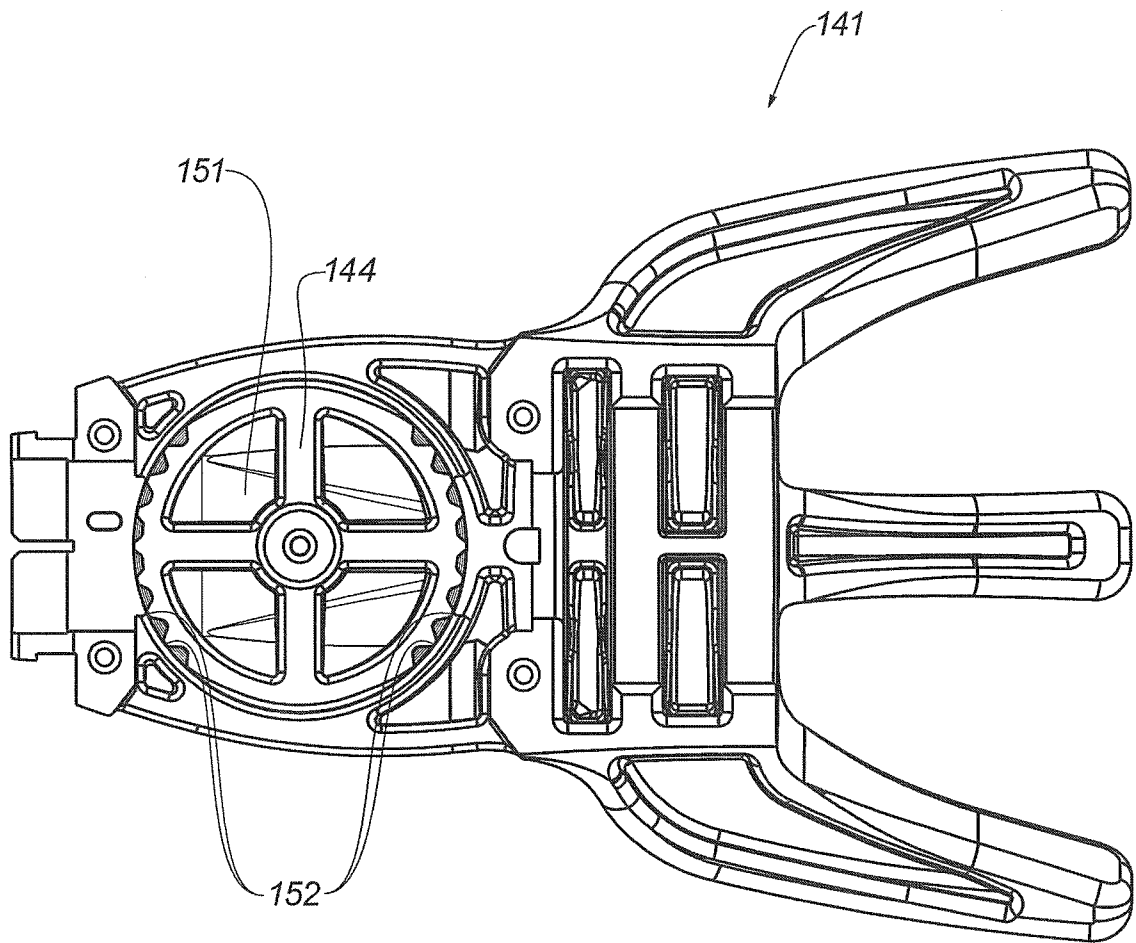


FIG. 22

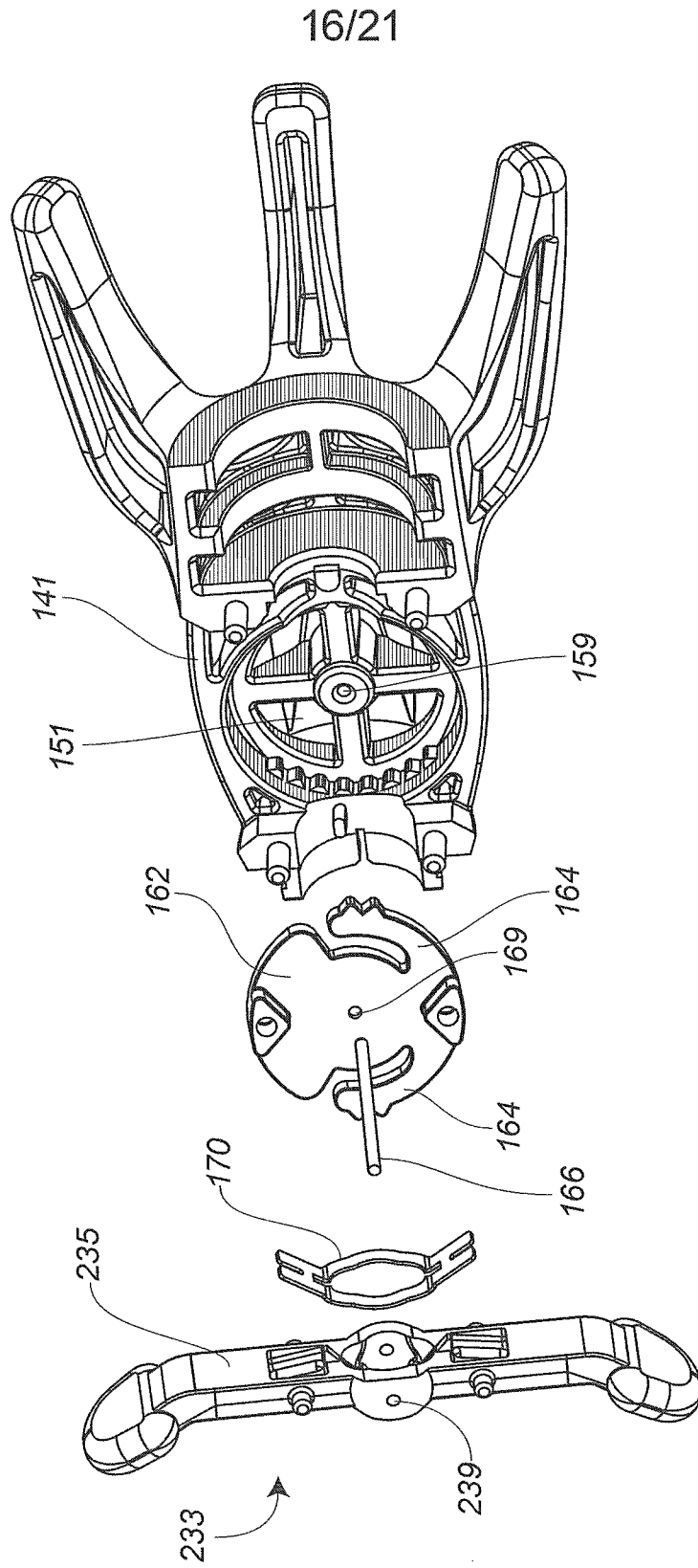


FIG. 23

17/21

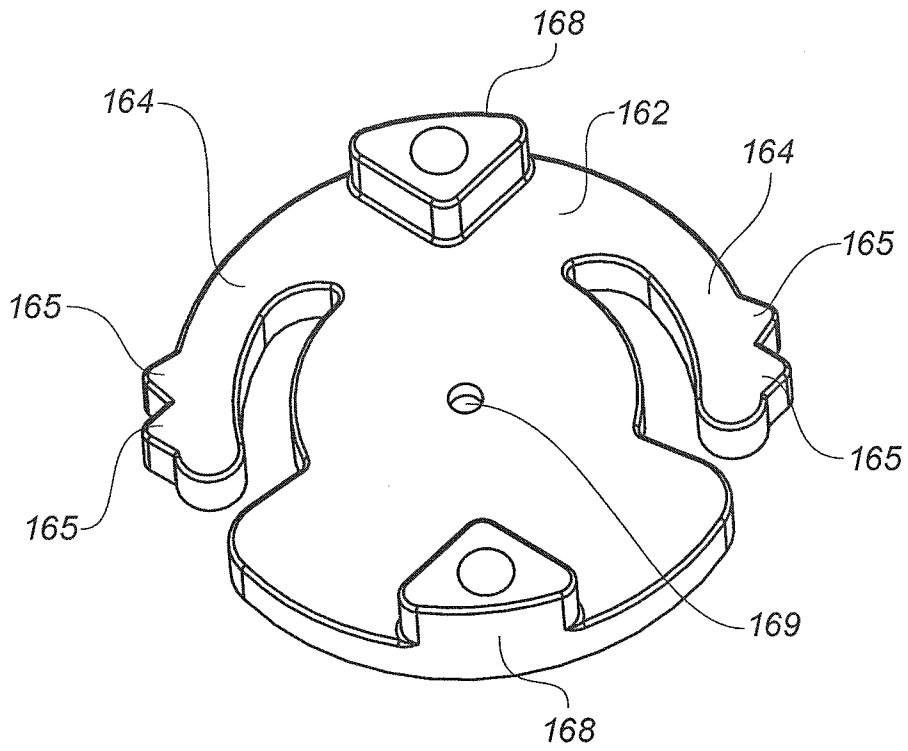


FIG. 24

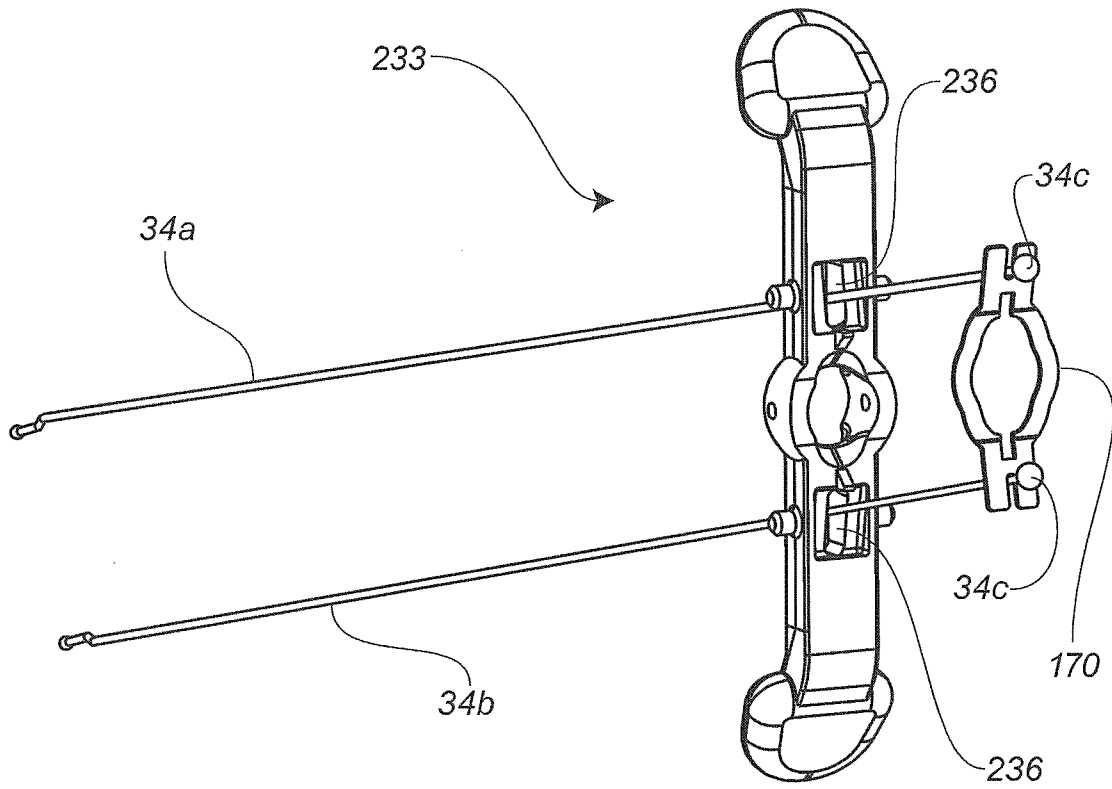


FIG. 25

19/21

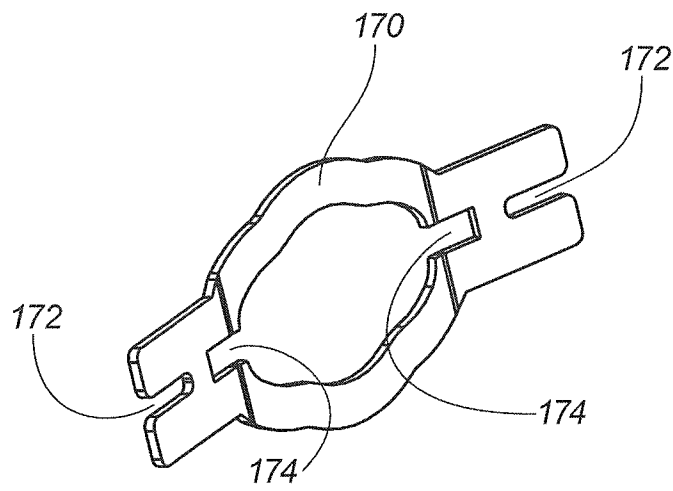


FIG. 26

20/21

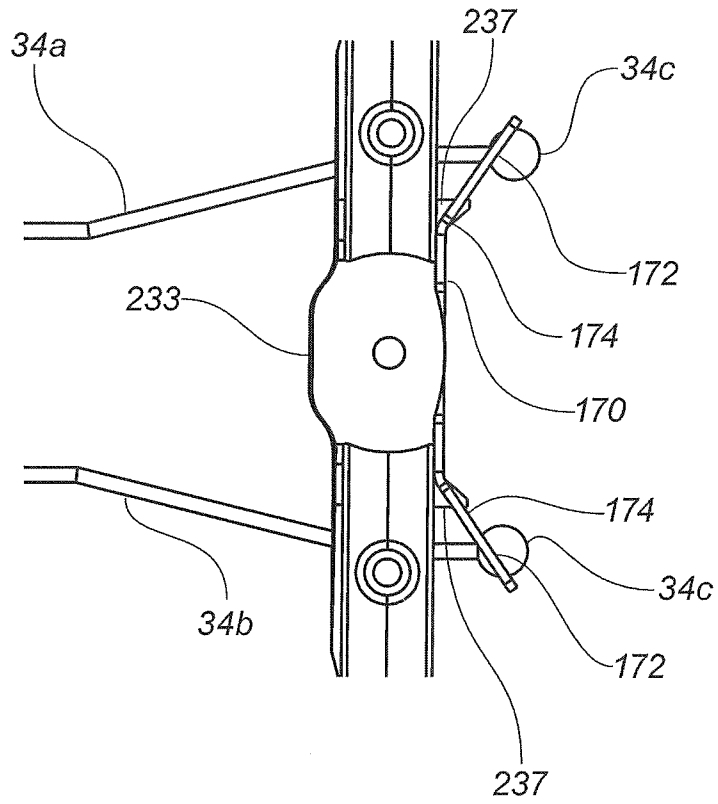


FIG. 27

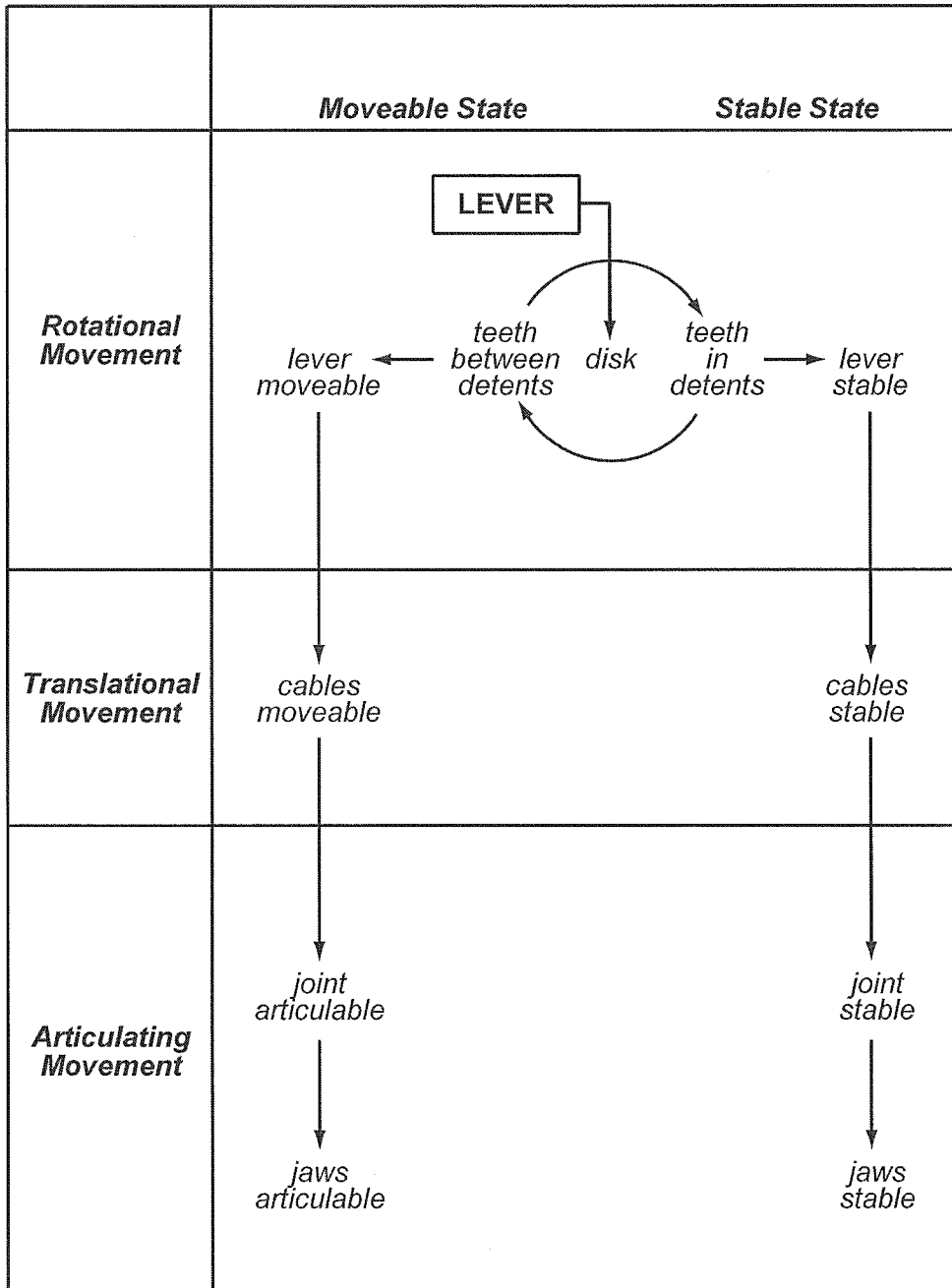


FIG. 28

INTERNATIONAL SEARCH REPORT

International application No PCT/EP2012/054459

A. CLASSIFICATION OF SUBJECT MATTER INV. A61B18/14 ADD.		
According to International Patent Classification (IPC) or to both national classification and IPC		
B. FIELDS SEARCHED		
Minimum documentation searched (classification system followed by classification symbols) A61B		
Documentation searched other than minimum documentation to the extent that such documents are included in the fields searched		
Electronic data base consulted during the international search (name of data base and, where practicable, search terms used) EPO-Internal, WPI Data		
C. DOCUMENTS CONSIDERED TO BE RELEVANT		
Category*	Citation of document, with indication, where appropriate, of the relevant passages	Relevant to claim No.
X	US 2009/198272 A1 (KERVER LAWRENCE [US] ET AL) 6 August 2009 (2009-08-06) paragraphs [0009], [0010], [0027] - [0037], [0039], [0041]; figures 1,2,6-12 -----	1-36
X	US 5 549 637 A (CRAINICH LAWRENCE [US]) 27 August 1996 (1996-08-27) figures 1-4 -----	1,20-22, 36
A	WO 2010/118018 A1 (MEDTRONIC INC [US]; ROTHSTEIN PAUL [US]; LUTTERMAN ALISON [US]; KIM DA) 14 October 2010 (2010-10-14) the whole document -----	1-36
<input type="checkbox"/> Further documents are listed in the continuation of Box C. <input checked="" type="checkbox"/> See patent family annex.		
* Special categories of cited documents :		
"A" document defining the general state of the art which is not considered to be of particular relevance "E" earlier application or patent but published on or after the international filing date "L" document which may throw doubts on priority claim(s) or which is cited to establish the publication date of another citation or other special reason (as specified) "O" document referring to an oral disclosure, use, exhibition or other means "P" document published prior to the international filing date but later than the priority date claimed	"T" later document published after the international filing date or priority date and not in conflict with the application but cited to understand the principle or theory underlying the invention "X" document of particular relevance; the claimed invention cannot be considered novel or cannot be considered to involve an inventive step when the document is taken alone "Y" document of particular relevance; the claimed invention cannot be considered to involve an inventive step when the document is combined with one or more other such documents, such combination being obvious to a person skilled in the art "&" document member of the same patent family	
Date of the actual completion of the international search	Date of mailing of the international search report	
31 May 2012	25/06/2012	
Name and mailing address of the ISA/ European Patent Office, P.B. 5818 Patentlaan 2 NL - 2280 HV Rijswijk Tel. (+31-70) 340-2040, Fax: (+31-70) 340-3016	Authorized officer Edward, Vinod	

INTERNATIONAL SEARCH REPORT

Information on patent family members

International application No PCT/EP2012/054459

Patent document cited in search report	Publication date	Patent family member(s)	Publication date
US 2009198272 A1	06-08-2009	AU 2009212240 A1 CA 2713983 A1 CN 101938946 A EP 2240095 A2 JP 2011510800 A KR 20100118573 A US 2009198272 A1 WO 2009100366 A2	13-08-2009 13-08-2009 05-01-2011 20-10-2010 07-04-2011 05-11-2010 06-08-2009 13-08-2009

US 5549637 A	27-08-1996	NONE	

WO 2010118018 A1	14-10-2010	EP 2416724 A1 US 2010298824 A1 WO 2010118018 A1	15-02-2012 25-11-2010 14-10-2010

专利名称(译)	具有稳定关节致动器的关节电外科器械		
公开(公告)号	EP2688501A1	公开(公告)日	2014-01-29
申请号	EP2012709093	申请日	2012-03-14
[标]申请(专利权)人(译)	阿拉贡外科手术公司		
申请(专利权)人(译)	AESCULAP AG		
当前申请(专利权)人(译)	AESCULAP AG		
[标]发明人	KERVER LAWRENCE WALBERG ERIK TANG BRIAN LOUDERMILK BRANDON		
发明人	KERVER, LAWRENCE WALBERG, ERIK TANG, BRIAN LOUDERMILK, BRANDON		
IPC分类号	A61B18/14		
CPC分类号	A61B18/1445 A61B17/29 A61B17/295 A61B2017/003 A61B2017/00327 A61B2017/2923 A61B2017/2927 A61B2017/2933 A61B2017/2946 A61B2018/0063 A61B2018/1412 A61B2018/1455 A61B2034/715 A61B2090/0811		
优先权	13/070391 2011-03-23 US		
其他公开文献	EP2688501B1		
外部链接	Espacenet		

摘要(译)

本技术的实施例提供了可铰接的电外科器械和执行具有铰接能力的电外科手术的方法。电外科器械包括细长轴，该细长轴具有与其远端相关联的末端执行器，该末端执行器能够将能量输送到目标组织部位。可铰接的关节定位在该轴和末端执行器之间。可铰接关节的关节由可稳定关节式致动器控制，该关节式致动器可包括位于井内的可旋转稳定的盘。末端执行器可以采用包括上颌和下颌的镊子的形式；钳口构造造成抓住目标组织并输送能量，例如射频能量。在这些器械中的一些器械中，末端执行器适于通过施加射频能量来密封组织，然后切穿密封的组织部分。