

(19) World Intellectual Property
Organization
International Bureau



(43) International Publication Date
1 July 2004 (01.07.2004)

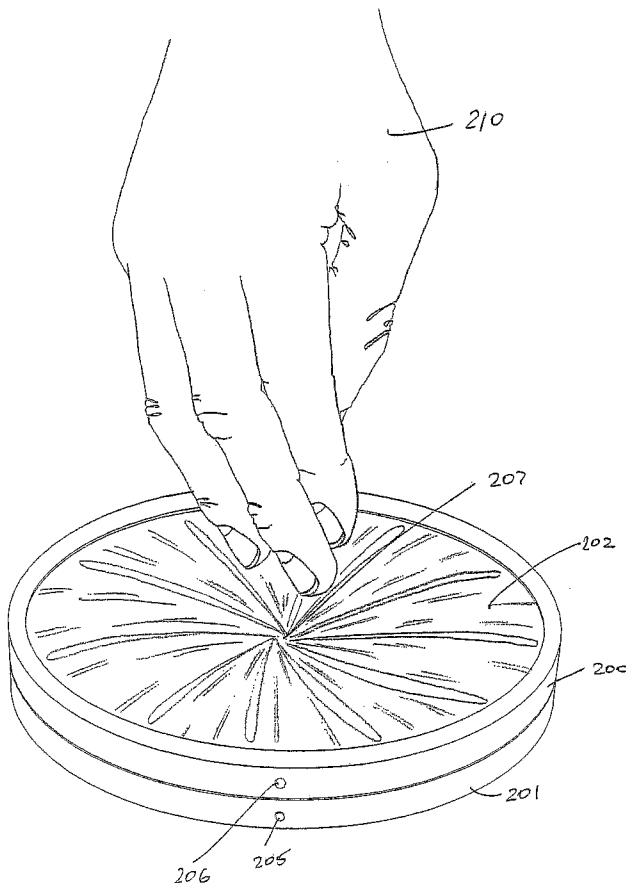
PCT

(10) International Publication Number
WO 2004/054456 A1

- (51) International Patent Classification⁷: **A61B 17/34**, 17/02
- (21) International Application Number: PCT/IE2003/000171
- (22) International Filing Date: 16 December 2003 (16.12.2003)
- (25) Filing Language: English
- (26) Publication Language: English
- (30) Priority Data:
60/433,603 16 December 2002 (16.12.2002) US
60/453,200 11 March 2003 (11.03.2003) US
- (71) Applicant (for all designated States except US): **ATROPOS LIMITED** [IE/IE]; Unit 4, Sunnybank Centre, Bray, County Wicklow (IE).
- (72) Inventors; and
- (75) Inventors/Applicants (for US only): **BONADIO, Frank** [US/IE]; 2 Martello Terrace, Bray, County Dublin (IE). **BUTLER, John** [IE/IE]; 52 Saint Fintan's Park, Deansgrange, County Dublin (IE). **VAUGH, Trevor** [IE/IE]; Garbally, Birr, County Offaly (IE). **MACNALLY, Shane, Joseph** [IE/IE]; 86 Swanbrook, Southern Cross, Bray, County Wicklow (IE). **REID, Alan** [IE/IE]; 7 Kincora Drive, Clontarf, Dublin 3 (IE).
- (74) Agents: **O'BRIEN, John, A.** et al.; John A O'Brien & Associates, Third floor, Duncairn House, 14 Carysfort Avenue, Blackrock, County Dublin (IE).
- (81) Designated States (national): AE, AG, AL, AM, AT, AU, AZ, BA, BB, BG, BR, BW, BY, BZ, CA, CH, CN, CO, CR, CU, CZ, DE, DK, DM, DZ, EC, EE, EG, ES, FI, GB, GD, GE, GH, GM, HR, HU, ID, IL, IN, IS, JP, KE, KG, KP, KR, KZ, LC, LK, LR, LS, LT, LU, LV, MA, MD, MG, MK, MN, MW, MX, MZ, NI, NO, NZ, OM, PG, PH, PL, PT, RO, RU,

[Continued on next page]

(54) Title: A SURGICAL DEVICE



(57) Abstract: A surgical device comprises a mounting element provided by a first ring element (200) and a second ring element (201). A sealing member in the form of a sleeve (202) of pliable material has ends mounted to the rings (200, 201). The sleeve (202) is twisted to have a normally closed access opening (207) and is movable on insertion of a surgeon's hand/arm (210) to open the access opening (207) whilst maintaining substantial sealing engagement to the arm (210). A biasing means is provided to bias the sleeve into a configuration in which the access opening (207) is normally closed. The biasing may be provided by pre-tensioning the sleeve (202) and/or by using a separate spring element (220, 215).

WO 2004/054456 A1



SC, SD, SE, SG, SK, SL, SY, TJ, TM, TN, TR, TT, TZ, UA,
UG, US, UZ, VC, VN, YU, ZA, ZM, ZW.

(84) Designated States (regional): ARIPO patent (BW, GH, GM, KE, LS, MW, MZ, SD, SL, SZ, TZ, UG, ZM, ZW), Eurasian patent (AM, AZ, BY, KG, KZ, MD, RU, TJ, TM), European patent (AT, BE, BG, CH, CY, CZ, DE, DK, EE, ES, FI, FR, GB, GR, HU, IE, IT, LU, MC, NL, PT, RO, SE, SI, SK, TR), OAPI patent (BF, BJ, CF, CG, CI, CM, GA, GN, GQ, GW, ML, MR, NE, SN, TD, TG).

Published:

- *with international search report*
- *before the expiration of the time limit for amending the claims and to be republished in the event of receipt of amendments*

For two-letter codes and other abbreviations, refer to the "Guidance Notes on Codes and Abbreviations" appearing at the beginning of each regular issue of the PCT Gazette.

"A Surgical Device"Introduction

5

The invention relates to a medical device particularly for use in surgery to provide surgical access to the abdomen and maintain a substantially gas-tight seal around the arm or an instrument during surgery. Surgery of this type is referred to as hand-assisted laparoscopic surgery or hand-access surgery.

10

Conventional abdominal surgery requires the creation of an incision in the abdominal wall to allow access to, and visualisation of the internal organs and other anatomical structures. These incisions must be large enough to accommodate the surgeon's hands and any instruments to be utilised by the surgeon during the surgery. Traditionally the size of these incisions has been dictated by the need to see, retract and palpate internal bodily structures. While a large incision will provide access to the interior of the abdomen they are associated with longer healing times, are more susceptible to infection and result in unsightly scars.

15

20

Alternatives to open surgery exist in the form of endoscopic or laparoscopic surgery. In this method of surgery, the surgeon operates through small incisions using remotely actuated instruments. The instruments pass through the abdominal wall using devices called trocars. These working channels typically have a diameter ranging from 5 to 25 millimetres. Vision is provided using a laparoscope which is typically 20 to 25 centimetres long and uses fibre-optic technology or a CCD camera to provide the operator with a picture of the interior of the abdomen. The abdomen must be insufflated with a gas such as carbon dioxide or nitrogen to maintain a bubble effect and provide a viable working space for the operator to perform the surgery unhindered by the lack of space. This insufflation creates a working space known as the pneumoperitoneum. Trocars through which instruments are inserted are constructed to prevent loss of the gas through them resulting in collapse of the pneumoperitoneum.

25

30

The benefits of laparoscopic surgery are numerous. Recovery times have been shown to be reduced due to the absence of a large incision. This has benefits for the patient, the health care organisation and society. The benefits to the patient are reduced stay in hospital, faster mobilisation and return to normal activity. The benefits to the health care organisation is also due to the reduced stay in hospital which is often the most expensive aspect of health care provision. Society benefits in faster return to work and normal activity of the patient.

However, not all surgical procedures can be performed laparoscopically. Surgery requiring the removal of large organ specimens, such as surgery for removal of the colon, has traditionally been hampered by the small incisions used for the introduction of laparoscopic instruments in the surgery.

The other major disadvantages of laparoscopic surgery are due to the complex nature of the technique. Surgeons who wish to practise laparoscopic surgery must spend much time training to master the technique. The success of laparoscopic surgery depends on the skill of the surgeon to manipulate organs and carry out delicate tasks using remotely actuated instruments. Unfortunately in laparoscopic surgery the surgeon is insulated from the material that they are working on. This deprives the surgeon of tactile feedback and the ability to palpate delicate structures. The surgeon's most effective instrument, the hand, is reduced to a device that must simply actuate instruments that are inherently lacking in dexterity and operability due to the constraints on their design placed by the nature of the narrow channels in trocars through which they must pass. Another disadvantage of laparoscopy is that the image viewed by the surgeon is a two dimensional image on a video screen. The surgeon loses three dimensional perspective of depth and distance and awareness of the proximity of other structures during video laparoscopy.

These disadvantages have led to long learning curves for the practitioners of laparoscopic surgery, required highly skilled and co-ordinated surgical teams and has

limited the application of laparoscopic surgery to relatively simple surgical procedures.

5 Recently, new surgical techniques have been developed that combine the advantages of both open surgery and laparoscopic surgery. In these new techniques surgery is carried out using a laparoscopic approach with the addition of a slightly larger incision to allow the surgeon to insert a hand into the insufflated abdomen. This is often referred to as hand-assisted laparoscopic surgery or HALS.

10 HALS allows surgeons to regain the tactile feedback and three-dimensional perspective lost in the conversion from open to laparoscopic procedures. It also permits rapid finger dissection, enhanced retraction capabilities and simplified haemostasis. There are several publications in the literature describing procedures carried out using a hand-assisted approach. These include total and sub-total
15 colectomy, rectopexy, Nissen's fundoplication, gastrectomy, splenectomy, nephrectomy, pancreatectomy and others. Some of these procedures were previously performed using an open technique only. Over the past few years several centres have been investigating HALS with surgical device companies and increasing the literature on the subject. With the advent of surgical devices for facilitating HALS it is expected
20 that more open surgical procedures will be converted to HALS procedures.

It is important that devices for use in hand-assisted laproscopic surgery provide a seal to a surgeon's arm to maintain the pneumoperitoneum required.

25 Various hand access devices have been developed; however, there is a need for an improved hand access device which will be easy to use.

Statements of Invention

According to the invention there is provided a surgical device for use in surgery comprising

5

a mounting element;

a sealing member of pliable material mounted to the mounting element, the sealing member having a normally closed access opening; and

10

at least a portion of the sealing member being movable on insertion of an object such as a surgeon's hand to open the access opening whilst maintaining substantial sealing engagement with the object.

15

In one embodiment the mounting element comprises a first ring element and a second ring element and the sealing member extends between the ring elements.

In one embodiment the device comprises a biasing means to bias the sealing member to close the access opening.

20

The biasing means may be provided by pre-tensioning the sealing member to close the access opening.

25

In one embodiment the sealing member comprises a sleeve. The sleeve may be twisted to define the normally closed access opening.

In one embodiment the sealing member is of an elastomeric material.

30

In another embodiment the device comprises a spring element to bias the sealing member to close the access opening. The spring element may extend between the first

and second ring elements. The spring element may have opposite ends and at least one of the ends is attached to a ring element.

5 In one embodiment one end of the spring is attached to the first ring element and the other end of the spring is attached to the second ring element. The first ring element may be a fixed ring element and a second ring element is rotatable relative to the first ring element.

10 In one embodiment one ring element is located within the other ring element.

One ring element may have a rib which is locatable in a corresponding groove in the other ring element.

15 In one embodiment the sealing member is a sleeve, one end of the sleeve being mounted to one ring element and an opposite end of the sleeve being mounted to the other ring element. The sealing member may be anchored to both the first and second ring elements.

20 In one embodiment the sleeve has a first mounting ring at one end for mounting to the first ring element and a second mounting ring at an opposite end for mounting to the second ring element.

In one embodiment the mounting ring elements have locators for a biasing element extending between the ring elements. The locator may comprise a groove.

25

In one embodiment the sealing member comprises a sleeve having an untwisted configuration and a twisted sealing configuration, the length of the sleeve in the untwisted configuration which is less than a diameter of the sleeve.

30

One ring may be rotatable relative to the other ring element.

In one embodiment the mounting element has an attachment for mounting to another device such as a retractor. The attachment may comprise a groove.

5 In one case the other device comprises a sleeve element and the attachment is engagable with the sleeve element.

The mounting element may be movable relative to the other device. In one case the mounting element is slidable relative to the other device.

10 In one embodiment the other device comprises a sealing device. The sealing device may be located proximally of the sealing member.

In one embodiment the sealing device comprises a lip seal.

15 The invention also provides a hand access device for use in hand assisted laparoscopic surgery comprising a device of the invention.

The invention further provides a surgical device assembly comprising a retractor and a device of the invention. The device may be releasably mountable to the retractor.
20 Alternatively the device is mounted to the retractor.

The invention also provides a method of performing hand assisted surgery comprising the steps of:-

25 providing a device of the invention;

inserting a hand into the device against the biasing of the sealing member whilst maintaining substantial sealing engagement between the sealing member and the surgeon's hand/arm.

30

5 The invention further provides a method of performing a surgical procedure comprising the steps of providing a device of the invention and inserting an object into the device against the biasing of the sealing member whilst maintaining sealing engagement between the sealing member and the object. The object may be surgeon's arm/forearm or an instrument.

10 The retractor member may comprise a distal portion for insertion through an incision made in a patient, and a proximal portion for extending from the incision and outside of the patient;

a distal member associated with the distal portion of the retractor member;

a proximal member associated with the proximal portion of the retractor member;

15 the retractor member being axially movable relative to the distal member to draw the proximal and distal members towards one another thereby shortening the axial extent of the retractor member between the proximal and distal members.

20 In one embodiment the retractor member comprises a sleeve member. The sleeve member preferably extends around the distal member.

In one embodiment the distal member is a ring member such as a resilient ring member, for example, an O-ring.

25 In one embodiment the proximal member is connected to the retractor member. The proximal member may be a ring member.

In one embodiment the sleeve member is of a pliable material.

30 In one arrangement the sleeve extends from the proximal member, around the distal member and has a return section outside of the proximal member.

The return section may have a handle member such as a ring member.

In one embodiment the device comprises a guide member.

5

The retractor member may extend between the guide member and the proximal member.

The guide member may comprise a receiver for the proximal member.

10

The guide member may comprise a guide ring-receiving member.

The sleeve return section may be configured to provide an integral valve member. In this case the sleeve return section may be twisted to provide an iris valve.

15

In another embodiment the sleeve return section is mounted to the guide member.

The sleeve return section may be extended into the opening defined by the sleeve member.

20

The device may comprise a lock for locking the guide member to the proximal member. Typically the guide member is engagable with the proximal member to provide the lock.

25

The guide member may be an interference fit with the proximal member.

In one embodiment of the invention the device includes a valve, such as an iris-type valve.

30

In one embodiment the device comprises a biasing member for biasing the valve into a desired position such as the closed position.

In one arrangement the device comprises a guide member located proximally of the proximal member and a biasing means is provided between the proximal member and the guide member. The biasing means may comprise a spring such as a coil spring.

5

In one embodiment a sleeve member extends between the proximal member and the guide member and the biasing means is located around the sleeve. The sleeve member may be an extension of the retractor member.

10

In one embodiment the device comprises a release member for releasing the device from an incision. The release member may comprise an elongate member such as a pull ribbon or string extending from a distal end of the device.

The release member may extend from the distal member.

15

In one embodiment the valve is located or locatable proximal of the proximal member. A pliable material may be provided between the valve and the proximal member. The pliable material may comprise a proximal extension of the retractor member.

20

In one embodiment the pliable material comprises a sleeve section.

In another embodiment the valve is a lip seal.

The invention also provides a method which includes retracting an incision by carrying out the steps of:-

25

providing a device comprising a retractor member having a distal portion and a proximal portion, a distal member associated with the distal portion and a proximal portion associated with the proximal portion;

30

- 10 -

inserting the distal member and the distal portion of the retractor member through an incision made in a patient; and

5 pulling the retractor member axially relative to the distal member to draw the proximal and distal members towards one another thereby shortening the axial extent of the retractor member between the proximal and distal members and retracting the incision.

Brief Description of the Drawings

10 The invention will be more clearly understood from the following description of some embodiments thereof, given by way of example only, with reference to the accompanying drawings, in which:-

Fig. 1 is a perspective view of a retractor;

15

Fig. 2 is a cross sectional view of the device of Fig. 1;

Figs. 3 and 4 are perspective views illustrating the formation of the device of Figs. 1 and 2;

20

Figs. 5 and 6 are cross sectional views of Figs. 3 and 4 respectively;

Figs. 7 and 8 are perspective views illustrating the use of the device;

25

Figs. 9 and 10 are cross sectional views illustrating the method of use of the device;

Fig. 11 is a cross sectional view of another retractor device in a configuration ready for use;

30

Fig. 12 is a perspective view of the device of Fig. 11 with a distal portion inserted through an incision;

Fig. 13 is a cross sectional view of the device of Fig. 11 with a distal portion inserted through an incision;

5 Fig. 14 is a cross sectional view of the device of Fig. 11 in use with an incision retracted;

Fig. 15 is a perspective view of the device in the configuration of Fig. 14;

10 Fig. 16 is a perspective view of the device in situ with an excess sleeve portion being removed;

Fig. 17 is a cross sectional view of the device in situ with an excess sleeve portion extending back into the incision;

15 Fig. 18 is a perspective view of the device in situ with a excess sleeve portion being twisted;

20 Fig. 19 is a perspective view similar to Fig. 18 with the excess sleeve portion further twisted to provide an iris valve;

Fig. 20 is a cross sectional view of another device in situ;

25 Fig. 21 is a cross sectional view of the device of Fig. 20 with an excess sleeve portion mounted to a guide member;

Fig. 22 is a cross sectional view of the device of Fig. 21 with the excess sleeve portion inflated to provide an integral everting access part;

30 Fig. 23 is a perspective view of another retractor incorporating a release device;

Fig. 24 is a cross sectional view of the retractor of Fig. 23;

Fig. 25 is a perspective view illustrating the formation of the device of Fig. 23;

5 Fig. 26 is a cross sectional view of the device in the configuration of Fig. 25;

Fig. 27 is a cross sectional view of the retractor of Figs. 23 to 26, in use;

10 Fig. 28 is a cross sectional view of the retractor of Figs. 23 to 27 illustrating the operation of a release device;

Fig. 29 is a perspective view of another device in an insertion configuration;

15 Fig. 30 is a perspective view of the device of Fig. 29 in position in an incision;

Fig. 31 is another perspective view of the device of Fig. 30 in another configuration;

20 Fig. 32 is another view of the device of Fig 31 with an outer portion severed and a valve being formed;

Fig. 33 is a view of the device of Fig. 32 with the valve closed;

25 Fig. 34 is a perspective view of another device similar to the device of Figs. 29 to 33 with a valve closed;

Fig. 35 is a cross sectional view of the device of Fig. 34;

30 Fig. 36 is a perspective view of another device similar to the device of Figs. 29 to 33 incorporating a biasing means in an inserted configuration;

Fig. 37 is another perspective view of the device of Fig. 36 in a retracting configuration;

5 Fig. 38 is a perspective view of the device of Fig. 37 in another configuration and excess sleeve being removed;

Fig. 39 is a perspective view of the device of Fig. 38 with a valve closed;

10 Fig. 40 is a perspective view of the device of Fig. 39 with a valve partially open;

Fig. 41 is a perspective view of the device of Fig. 39 with an object inserted through the valve;

15 Fig. 42 is a perspective view of another device;

Fig. 43 is a cross sectional view of the device of Fig. 42 in position in an incision;

20 Fig. 44 is a cross sectional view of the device of Fig. 43 with an object extending therethrough;

Fig. 45 is a cross sectional view similar to Fig. 44 with an object offset from a longitudinal axis of the device;

25 Fig. 46 is a cross sectional view of another device on insertion into an incision;

Fig. 47 is a cross sectional view of the device of Fig. 46 with an incision retracted;

30 Fig. 48 and 49 are cross sectional views of the device of Fig. 47 showing the formation of an iris valve;

Fig. 49(a) is a cross sectional view of another device;

Fig. 49(b) is a plan view of a hand access device of the invention in a closed position;

Fig. 49(c) is a plan view of the device of Fig. 49(b) in an opened position;

5

Fig. 49(d) is a plan view showing the opening of the device of Figs. 49(b) and 49(c);

Figs. 49(e) and (f) are, respectively, plan and side views of the hand access device of Fig. 49(b) in a closed position;

10

Figs. 49(g) and (h) are views similar to Fig. 49(e) and (f) with the device in an open position;

Fig. 49(i) is a cross sectional view of a hand access device with an arm in position;

15

Fig. 49(j) is a view of a device similar to Fig. 49 (i) with a lip seal; and

Fig. 49(k) is a view of a device similar to Fig. 49(i) with another lip seal.

Fig. 50 is a perspective view of a hand access device according to the invention in use;

20

Fig. 51 is a perspective view of the device of Fig. 50 in use with a hand being pushed through the device;

Fig. 52 to 54 are side cross sectional views of the device of Figs. 50 and 51 with a surgeon's hand being progressively inserted through the device;

25

Figs. 54 (a) to 54 (d) are views illustrating an assembly of a hand access device;

Figs. 55 (a) to (c) are, respectively, plan, side and side cross sectional views of the device of Figs. 50 to 54 in a closed configuration;

30

Figs. 56 (a) to (c) are views similar to Fig. 55 with the device partially open;

Figs. 57 (a) to (c) are views similar to Fig. 55 with the device closed;

5

Fig. 58 (a) to 60 (c) are views similar to Figs. 55 (a) to 57 (c) of another device according to the invention;

10

Fig. 61 is a cross sectional view of the device of Figs. 50 to 57 (c) mounted on a retractor;

Fig. 62 is a cross sectional view of the device of Figs. 50 to 57 (c) being mounted on another retractor.

15

Fig. 63 is a cross sectional view of the device, fully assembled to the retractor of Fig. 62.

Fig. 64 is a perspective view of another hand access device;

20

Fig. 65 is a perspective view of the device of Fig. 64 with a hand being inserted;

Figs. 66 and 67 are perspective views of hand access devices;

25

Fig. 68 is a cross sectional view of the hand access device of Figs. 64 and 65 mounted on a retractor with excess retractor sleeve and a lip seal;

Fig. 69 is a cross sectional view of the device of Fig. 68 with an arm in place;

30

Fig. 70 is a view of another arrangement similar to that of Figs. 68 and 69;

Fig. 71 is an exploded perspective view of an assembly of the invention comprising a retractor and an iris valve;

5 Fig. 72 is a cross sectional view of the device of Fig. 71 assembled and in position in an incision;

Fig. 73 is a top plan view of the device of Fig. 72 with the iris closed;

10 Fig. 74 is a reverse plan view of the device of Fig. 72 in the configuration of Fig. 73;

Fig. 75 is a top plan view of the device of Fig. 72 with the iris open; and

15 Fig. 76 is a reverse plan view of the device of Fig. 72 in the configuration of Fig. 75.

Detailed Description

Referring to the drawings, and initially to Figs. 1 to 10 thereof there is illustrated a medical device 1 comprising a retractor member provided by a sleeve 2, a distal member provided by a distal ring 3 of resilient material such as an O-ring and a proximal member provided by a proximal ring 4 which may also be an O-ring.

25 The sleeve 2 is of any suitable material such as of pliable plastics film material and comprises a distal portion 5 for insertion through an incision 6, in this case made in a patient's abdomen 7, and a proximal portion 8 for extending from the incision 6 and outside of the patient.

30 In this case the distal ring 3 is not fixed to the sleeve 2 but rather the sleeve is led around the ring 3 and is free to move axially relative to the distal ring 3 somewhat in the manner of a pulley. The proximal ring 4 is fixed to the sleeve 2, in this case at the

proximal inner end thereof. The sleeve 2 terminates in a handle or gripping portion which in this case is reinforced by a gripping ring 15.

5 To configure the retractor device according to the invention a sleeve 2 is first provided with the gripping ring 15 fixed at one end and the proximal ring 4 fixed at the other end [Figs. 3, 5]. The distal ring 3 is then placed over the sleeve 2 as illustrated in Figs. 4 and 6. The gripping ring 15 is then used to manipulate the sleeve 2 so that the sleeve 2 is folded back on itself into the configuration of Figs. 1 and 2 in which the gripping ring 15 is uppermost. The sleeve extends from the proximal ring 4 and the distal ring 10 3 is contained between inner and outer layers 2a, 2b of the sleeve 2. The device is now ready for use.

The resilient distal ring 3 is scrunched up and inserted through the incision 6 with the distal end 5 of the sleeve 2 as illustrated in Fig. 4. The sleeve 2 is then pulled 15 upwardly in the direction of the arrows A in Figs. 8 to 10. On pulling of the sleeve 2 upwardly the outer layer 2b is pulled up while the inner layer 2a is drawn around the proximal ring 3. This results in shortening the axial extent between the proximal ring 4 and the distal ring 3, tensioning the sleeve and applying a retraction force to the margins of the incision 6. The system appears to be self locking because we have 20 observed that when tension is applied to the sleeve 2 and the pulling force is released the rings 3, 4 remain in position with a retraction force applied. Frictional engagement between the layers of the sleeve in this configuration may contribute to this self locking.

25 As the incision is being retracted the margins are also protected by the sleeve. On retraction, an access port is provided, for example for a surgeon to insert his hand and/or an instrument to perform a procedure.

Excess sleeve portion 20 outside the incision may, for example, be cut-away.

The retractor is suitable for a range of incision sizes and is easily manufactured. It is also relatively easy to manipulate, in use.

5 Referring now to Figs. 11 to 19 there is illustrated another device 50 which is similar to the device described above with reference to Figs. 1 to 10 and like parts are assigned the same reference numerals. In this case the device comprises a guide member 51 for the proximal ring 4. The guide member 51 is in the form of an annular ring member with an inwardly facing C-shaped groove 52 which is sized to accommodate the ring 4 as illustrated. The outer layer of the sleeve 2 is interposed
10 between the ring 4 and the guide 51 to further control the pulling of the sleeve and thereby further controlling the application of the retraction force. The guide 51 also assists in stabilising the proximal ring 4. The use of the device 50 is illustrated in Figs. 12 to 15 is similar to that described above.

15 Referring to Fig. 16, it will be noted that in one case the excess sleeve portion 20 may be cut-away.

20 Referring to Fig. 17, in this case the excess sleeve portion is inverted 60 into the incision. In this configuration it may act as an organ retractor, or provide the surgeon with an open tunnel to work in.

Referring to Figs. 18 and 19 in this case the excess sleeve portion is twisted to form an iris diaphragm valve 65.

25 In the embodiment illustrated in Figs. 20 to 22 a device 70 has an integral seal/valve 71. The device 70 is similar to that described above with reference to Figs. 11 to 19 and like parts are assigned the same reference numerals. In this case the guide member 50 has an outer groove 75 to receive the gripping ring 15 as illustrated in Figs. 21. The excess sleeve portion 20 is folded out and down and the gripping ring 15 is engaged in the groove 75 to provide an air tight seal. In this configuration the
30 excess sleeve may be inflated through an inflation port 76 [Fig. 22] to provide an integral access valve 71. The valve may be used to sealingly engage a hand,

instrument or the like passing therethrough. The inflated sleeve portion defining the valve is evertable on passing an object therethrough.

5 Referring to Figs. 23 to 28 there is illustrated another retractor 80 which is similar to the retractors described above and like parts are assigned the same reference numerals. In this case the retractor 80 has a release mechanism which in this case is provided by a release cord or ribbon 81 which is coupled at one end 82 to the inner ring 3 and terminates in an outer free end 83 which may be grasped by a user. The ribbon 81, on assembly, is led through the gap between the proximal ring 4 and the outer guide member 51 so that it is positioned between the ring 4 and the guide member. The ribbon 81 facilitates release of the self locked sleeve in the in-use configuration sited in an incision. Pulling on the ribbon 81 pulls on the inner ring 3, allowing the ring 3 to be released from the inner wall of the incision to thereby release the device. The flexibility of the ring 3 facilitates this movement.

10 15 The advantage of this arrangement is that a user can readily release the device from its self locked retracting configuration.

20 Referring to Figs. 29 to 33 there is illustrated another device 90 in which parts similar to those of the devices described above are assigned the same reference numerals. In this case the device 90 has a lower guide ring 51 for the proximal ring 4 and an outer guide assembly provided by an upper guide ring 91 and a second proximal ring 92 between which the sleeve 2 is led. The device is used to first retract an incision as described above. During this phase the outer guide assembly is conveniently external of the guide member 51 and proximal ring 4. Indeed, it may be completely detached from the sleeve 2 and subsequently coupled to the sleeve 2 at an appropriate stage such as when the incision is retracted as illustrated in Fig. 30. The outer guide assembly is then moved downwardly towards the incision as illustrated in Fig. 31. This may be achieved while pulling the sleeve 2 upwardly. When the guide assembly is adjacent to the guide member 51 excess sleeve length may be severed as illustrated in Fig. 32. By twisting the guide assembly relative to the guide member 51 the sleeve

- 20 -

2 is twisted, closing down the lumen of the sleeve 2 and forming an iris type access valve 95 as illustrated in Fig. 33. In this way a sealed access port is provided for hand and/or instrument access through the incision.

5 It will be appreciated that while reference has been made to an incision made by a surgeon the device may be applied for retraction of any opening such as a body opening.

10 Referring to Figs. 34 and 35 there is illustrated another retractor device 100 which is similar to the device of Figs. 29 to 33 and like parts are assigned the same reference numerals. In this case a releasable lock is provided to maintain the access valve 95 closed. For interlocking, in this instance the upper guide ring 91 is an interference fit with the lower guide ring 51. Various other locking arrangements may be used such as a screw threaded or bayonet type engagement, magnets, clips and the like.

15 Referring to Figs. 36 to 41 there is illustrated another retractor device 110 which is similar to the device of Figs. 29 to 33 and like parts are assigned the same reference numerals. In this case the device incorporates a biasing means to bias an integral valve into a closed position. The biasing means is in this case provided by a coil spring 111 which is located around the sleeve between the guide rings 51, 91. In use, the device is used in a similar manner to the device of Figs. 29 to 33 except that on movement of the upper guide ring 91 downwardly the spring 111 also moves downwardly towards the lower guide ring 51, initially into the position illustrated in Fig. 38. Excess sleeve material may be removed at this stage. The spring 111 is tensioned as the upper ring 91 is rotated while pushing the upper ring 91 downwardly. The sleeve material between the two rings 51, 91 is twisted, forming an iris type valve 112 as illustrated in Fig. 39. To open the valve 112 to pass an object such as an instrument, hand, arm or the like therethrough a downward force may be applied to push the upper ring 91 towards the lower ring 51 against the biasing of the spring. 25 This configuration is illustrated in Fig. 40. When the object is inserted the upper ring member 91 is released, allowing the valve to close around the object. The operation of 30

- 21 -

the device 110 will be readily apparent from Figs. 41(a) to 41(d). In Fig. 41(a) the valve 112 is illustrated in a closed resting configuration. Fig. 41(b) shows the application of a downward force to open the valve 112. An object such as an instrument 113 is shown inserted through the open valve 112 in Fig. 41(c). In Fig. 5 41(d) the downward pressure on the upper ring 91 is released allowing the valve 112 to close around the object 113.

Referring now to Figs. 42 to 45 there is illustrated another device 120 which has some aspects similar to the device of Figs. 11 to 18 and like parts are assigned the same reference numerals. In this case the device has a lip seal 121. The lip seal 121 is provided by a membrane with a central aperture 122 through which an object 123 such as an instrument is passed. The lip seal 121 is located on the sleeve 2 proximally of the guide ring 51 such that a proximal flexible sleeve section 125 is provided. This sleeve section 125 is very useful in facilitating offset movements of the object 123 as illustrated in Fig. 45. The sleeve section 125 accommodates movement of the object 123 whilst maintaining sealing engagement between the lip seal 121 and the object 123. It will be appreciated that this feature, as with several other features described above may be utilised in association with other constructions of wound protector/retractors and access parts generally other than those illustrated in the drawings. 20

Referring to Figs. 46 to 48 there is illustrated another device 130 which has some features similar to those of Figs. 11 to 15, like parts being assigned the same reference numerals. In this case the sleeve has a proximal section external of the wound when the device is in the retracting configuration. This proximal sleeve section comprises a first portion 131 extending from the guide ring 51 and a second portion 132 extending from the first portion 131. The second portion 132 is defined between two spaced-apart iris rings 134, 135. It will be noted that the iris rings 134, 135 have engagement features such as projections and grooves for interengagement on assembly. The iris ring 134 also has an engagement element, in this case provided by a groove 137 for 25 30

engagement on assembly with a corresponding engagement element of the guide ring 51 which in this case is provided by a projection 138.

5 The device is fitted as described above to retract an incision, leaving the first and second sleeve portions 131, 132 extending proximally. The first sleeve portion 131 is redundant and can be removed or scrunched up on assembly of the first iris ring 134 to the guide ring 138 as illustrated in Fig. 48. The second or upper iris ring 135 is then rotated to twist the sleeve section 132 to form an iris-type seal as illustrated in Fig. 49. The iris ring 135 is engaged with the iris ring 134 as illustrated to maintain the valve closed.

10

Referring to Fig. 49(a) there is illustrated another device 140 which has some aspects similar to the device of Figs. 46 and like parts are assigned the same reference numerals. In this case the iris rings 134, 135 are used to form an iris valve 141 which is proximally spaced from the guide ring 51 and a flexible sleeve section 142 is thereby provided between the iris 141 and the guide ring 51. This sleeve section 142 can act as a flexible cannula wall to permit sealed access of a cannula whilst facilitating lateral movement of the cannula somewhat as illustrated in Figs. 44 and 45.

15

Referring to Figs. 49(b) to 49(i) there is illustrated a surgical device 150 according to the invention comprising a mounting element provided by a first ring element 200 and a second ring element 201. A sealing member which in this case is in the form of a sleeve 202 of pliable material has a first end mounted to the first ring element 200 and a second end mounted to the second ring element 200. For ease of reference the ring elements 200, 201 have associated location markings 205, 206 respectively. The sleeve 202 is twisted and has a normally closed access opening 207 and the sleeve is movable on insertion of a surgeon's hand/arm 210 to open the access opening 207 whilst maintaining substantial sealing engagement with the object.

20

25

As will be described in more detail below a biasing means is provided to bias the sleeve into a configuration in which the access opening 207 is normally closed. The

30

biasing may be provided by pre-tensioning the sleeve and/or by using a separate spring element.

5 Referring to Fig. 49(j) there is illustrated another device 160 which is similar to the device of Figs. 49(d) to (i) and like parts are assigned the same reference numerals. In this case the device has a lip-type seal 161 for further sealing engagement. Another device 165 with a different type of lip seal 162 is illustrated in Fig. 49(k).

10 Referring to Figs. 50 to 57 (c) there is illustrated a hand access device according to the invention for use in hand assisted laparoscopic surgery comprising a first ring element 200, a second ring element 201 and a sleeve 202 of pliable material with a first end mounted to the first ring element 200 and a second end mounted to the second ring element 200. For ease of reference the ring elements 200, 201 have associated location markings 205, 206 respectively. The sleeve 202 is twisted and has a normally
15 closed access opening 207 and the sleeve is movable on insertion of a surgeon's hand/arm 210 through the access opening 207.

A biasing means is provided to bias the sleeve 202 to close the access opening 207. The biasing may be provided by the properties of the sleeve which may be pre-
20 tensioned, or by using a separate spring element. In this case the spring element 215 is a strip of elastic material 215 which is mounted at one end to the first ring 201. The elastic strip 215 causes the rings to be biased into a rest position at which the opening 207 is closed. On insertion of a surgeon's hand the entry force acts against the biasing of the elastic strip 215 and the rings 200, 201 rotate relative to one another as
25 evidenced by the locator marks 205, 206.

In the invention, the sealing member has a normally closed access opening. The access opening is only sufficient to allow a surgeon to insert his hand and forearm through the sleeve whilst maintaining substantial continuous sealing engagement
30 between the sleeve and the surgeon's hand/forearm, thus ensuring that there is substantially no gas leakage and maintaining pneumoperitoneum. The device is very

easily manufactured and, most importantly, is extremely easy for a surgeon to use, as a sealed access port is provided through which a surgeon can easily insert his arm and forearm. It will be noted that the biasing ensures that the access opening substantially exactly matches the contours of the inserted hand/forearm and automatically opens and closes as required.

5

In another embodiment, as illustrated in Figs. 58 (a) to 60 (c), the spring element may be a coiled spring 220 which normally biases the rings 200, 201 and hence the sealing member 202 in such a way as to close the opening.

10

Referring to Fig. 61 the hand access device of Figs 50 to 60 is shown mounted to a retractor 230 such as a retractor as described above.

15

Referring to Figs 62 and 63 the hand access device is shown being mounted to another type of retractor 240. In this case the first ring element 200 has a circumferentially extending groove 233 and an associated ring 234 with a retractor sleeve section 235 accommodated therebetween to permit sliding action of the hand access device relative to the retractor sleeve section 235.

20

It will be appreciated that the hand access devices of the invention can be used with any suitable retractor or other similar device.

25

Referring to Figs. 64 and 65 there is illustrated another hand access device which is similar to the device of Figs. 50 to 57 except that in this case the biasing to close the access port is provided by the properties of the sleeve 240 which in this case is pre-tensioned. The surgeon, on insertion of his hand/arm acts to overcome the tension in the sleeve 240 sufficient to allow hand insertion whilst still maintaining sealing engagement to the surgeon's hand/arm. This configuration will also be apparent from Figs 66 and 67. The twisted sealing member such as a sleeve 240 defining an iris is shown in Fig. 66 with a strong outer resilient material 245. As a surgeon inserts his hand the twist in the sleeve is transferred to the outer resilient material 245 with the

30

applied force. In this and in other configurations described above the sealing member may be a suitable elastomeric material. In Fig. 67 the hand is removed for clarity, in reality on removal of the hand the system will revert to the closed configuration of Fig. 66.

5

Referring now to Fig. 68 there is illustrated an assembly of a hand access device of the invention with a retractor 250 having an excess retractor sleeve section 251 provided with an outer lip seal 252 for sealing engagement to the arm of a surgeon. The excess retractor sleeve section may be used to externalise an organ during a surgical procedure. In Fig 69 a lip seal 255 is provided in a sleeve section 250 mounted to the ring element 200. In Fig. 70 a lip seal 260 is provided on a separate sleeve section 261.

10

Referring to Figs. 71 to 76 there is illustrated an assembly 500 of the invention which comprises a retractor 501 and a normally closed iris valve 502 releasably mounted to the retractor 501. The retractor 501 is similar to the retractors described above such as with reference to Figs. 1 to 10. The iris valve 502 is similar to the iris valves described above such as with reference to Figs. 50 to 57(c).

15

The iris comprises the components within the chain bracket 510 in Fig. 71 and the retractor comprises the components within the chain bracket 520 in Fig. 71.

20

The iris 502 comprises a fixed outer iris ring member 511 and an inner rotatable ring member 512. The inner ring member 512 is in this case a snap fit and is free to rotate relative to the outer ring member 511. The snap fit engagement is through an annular rib 530 on the outer ring member 511 and a corresponding annular groove 531 in the inner ring member 512. A flexible iris-forming sleeve 513 extends between the inner and outer ring members 511, 512. The sleeve 513 has a first elasticated ring or band 514 at one end for anchoring in a corresponding engagement channel 515 in the inner ring member 512 and a second elasticated band 514 at the other end for anchoring in a corresponding engagement channel 517 in the outer ring member 511. Thus, one end

25

30

of the iris-forming sleeve 513 is anchored to the movable ring member 512 and the other end is anchored to the fixed ring member 511 so that rotation of the ring member 512 relative to the fixed ring member 511 will result in twisting or untwisting of the sleeve, forming an iris valve.

5

The iris valve 502 is biased into a normally closed position (Figs. 72 to 74) by a spring which in this case is in the form of a strip of elastic material 518 having enlarged head portions 519, 521 at the ends thereof for location and engagement of one end of the spring 518 in a spring locating hole 522 in the fixed ring member 511 and for location and engagement of the other end of the spring 518 in a spring locating slot 523 in the rotatable ring member 512. The spring 518 biases the iris-forming sleeve 513 into the normally closed position. On insertion of an object such as a surgeons hand, the biasing force of the spring 518 is counteracted causing partial opening of the iris valve whilst still remaining sealing engagement of the iris sleeve with the object passing therethrough. A twisting action of the object as it is being inserted will aid overcoming of the spring biasing action, in some cases. The operation of the iris is described in more detail above.

10

15

20

The iris forming sleeve 513 has a length in the unassembled untwisted configuration of Fig. 71 that is preferably less than or equal to the diameter of the sleeve 513. We have found that this is advantageous in optimising the operation of the iris by ensuring full closure of the iris whilst ensuring that excess sleeve material, on twisting, is minimised.

25

30

The iris valve 502 is in this case releasably mounted to the retractor 501, Thus, the iris 502 may be used independently of the retractor 501 and vice versa. In this instance the iris valve is screw threadingly engagable with the retractor, the outer ring 511 of the iris having a thread 535 for connection to the retractor 501. The retractor 501 in turn has tabs 536 which project inwardly from a retractor top ring 540 for engagement with the screw thread 535 of the outer ring 511. Any suitable interconnection may be provided.

The retractor 501 comprise a sleeve 552, a distal member provided by a distal ring 553. of resilient material such as an O-ring and a proximal member provided by a proximal ring 554 which may also be an O-ring.

5

The sleeve 552 is of any suitable material such as of pliable plastics film material and comprises a distal portion 555 for insertion through an incision 556, in this case made in a patient's abdomen 557, and a proximal portion 558 for extending from the incision 556 and outside of the patient.

10

In this case the distal ring 553 is not fixed to the sleeve 552 but rather the sleeve is led around the ring 553 and is free to move axially relative to the distal ring 553 somewhat in the manner of a pulley. The proximal ring 554 is fixed to the sleeve 552, in this case at the proximal inner end thereof. The sleeve 552 terminates in a handle or gripping portion which in this case is reinforced by a gripping ring 565.

15

As described above with reference to Figs. 1 to 10, to configure the retractor device a sleeve 552 is first provided with the gripping ring 565 fixed at one end and the proximal ring 554 fixed at the other end [Figs. 3, 5]. The distal ring 553 is then placed over the sleeve 552. The gripping ring 565 is then used to manipulate the sleeve 552 so that the sleeve 552 is folded back on itself into the configuration of Figs. 1 and 2 in which the gripping ring 565 is uppermost. The sleeve extends from the proximal ring 554 and the distal ring 553 is contained between inner and outer layers of the sleeve 2. The device is now ready for use.

20

25

The resilient distal ring 553 is scrunched up and inserted through the incision 556 with the distal end 555 of the sleeve 552 as illustrated in Fig. 4. The sleeve 552 is then pulled upwardly in the direction of the arrows A in Figs. 8 to 10. On pulling of the sleeve 552 upwardly the sleeve outer layer is pulled up while the sleeve inner layer is drawn around the proximal ring 553. This results in shortening the axial extent between the proximal ring 554 and the distal ring 553, tensioning the sleeve 552 and

30

5 applying a retraction force to the margins of the incision 556. The system appears to be self locking because we have observed that when tension is applied to the sleeve 552 and the pulling force is released the rings 553, and 554 remain in position with a retraction force applied. Frictional engagement between the layers of the sleeve in this configuration may contribute to this self locking. As the incision is being retracted the margins are also protected by the sleeve. On retraction, an access port is provided, for example for a surgeon to insert his hand and/or an instrument to perform a procedure.

10 In this instance the sleeve gripping ring 565 is led over the retractor top ring 540 and the gripping ring 565 is retained outside of the top ring 540 as illustrated in Fig. 72. The retractor top ring 540 provides a guide member for the retractor proximal ring 554. The guide member or top ring 540 is in the form of an annular ring member with an inwardly facing C-shaped groove which is sized to accommodate the ring 554 as illustrated. The outer layer of the sleeve 552 is interposed between the ring 554 and
15 the guide 540 to further control the pulling of the sleeve and thereby further controlling the application of the retraction force. The guide 540 also assist in stabilising the proximal ring 554.

20 The invention is not limited to the embodiments hereinbefore described, with reference to the accompanying drawings, which may be varied in construction and detail.

Claims

1. A surgical device for use in surgery comprising
5 a mounting element;

a sealing member of pliable material mounted to the mounting element, the sealing member having a normally closed access opening; and

10 at least a portion of the sealing member being movable on insertion of an object such as a surgeon's hand to open the access opening whilst maintaining substantial sealing engagement with the object.
- 15 2. A device as claimed in claim 1 wherein the mounting element comprises a first ring element and a second ring element and the sealing member extends between the ring elements.
3. A device as claimed in claim 1 or 2 comprising a biasing means to bias the sealing member to close the access opening.
20
4. A device as claimed in claim 3 wherein the biasing means is provided by pre-tensioning the sealing member to close the access opening.
5. A device as claimed in any of claims 1 to 4 wherein the sealing member
25 comprises a sleeve.
6. A device as claimed in claim 5 wherein the sleeve is twisted to define the normally closed access opening.
- 30 7. A device as claimed in any of claims 1 to 6 wherein the sealing member is of an elastomeric material.

8. A device as claimed in any of claims 1 to 6 comprising a spring element to bias the sealing member to close the access opening.
- 5 9. A device as claimed in claim 8 wherein the spring element extends between the first and second ring elements.
10. A device as claimed in claim 9 wherein the spring element has opposite ends and at least one of the ends is attached to a ring element.
- 10 11. A device as claimed in claim 10 wherein one end of the spring is attached to the first ring element and the other end of the spring is attached to the second ring element.
- 15 12. A device as claimed in claim 11 wherein a first ring element is a fixed ring element and a second ring element is rotatable relative to the first ring element.
13. A device as claimed in any of claims 2 to 12 wherein one ring element is located within the other ring element.
- 20 14. A device as claimed in claim 12 or 13 wherein one ring element has a rib which is locatable in a corresponding groove in the other ring element.
15. A device as claimed in any of claims 2 to 14 wherein the sealing member is a sleeve , one end of the sleeve being mounted to one ring element and an opposite end of the sleeve being mounted to the other ring element.
- 25 16. A device as claimed in claim 15 wherein the sealing member is anchored to both the first and second ring elements.

17. A device as claimed in claim 15 or 16 wherein the sleeve has a first mounting ring at one end for mounting to the first ring element and a second mounting ring at an opposite end for mounting to the second ring element.
- 5 18. A device as claimed in any of claims 2 to 17 wherein the mounting ring elements have locators for a biasing element extending between the ring elements.
19. A device as claimed in claim 18 wherein the locator comprises a groove.
- 10 20. A device as claimed in any of claims 2 to 19 wherein the sealing member comprises a sleeve having an untwisted configuration and a twisted sealing configuration, the sleeve in the untwisted configuration having a length which is less than a diameter of the sleeve.
- 15 21. A device as claimed in any of claims 2 to 20 wherein one ring is rotatable relative to the other ring element.
22. A device as claimed in any of claims 1 to 21 wherein the mounting element has an attachment for mounting to another device such as a retractor.
- 20 23. A device as claimed in claim 22 wherein the attachment comprises a groove.
24. A device as claimed in claim 22 or 23 wherein the other device comprises a sleeve element and the attachment is engagable with the sleeve element.
- 25 25. A device as claimed in any of claims 22 to 24 wherein the mounting element is movable relative to the other device.
- 30 26. A device as claimed in claim 25 wherein the mounting element is slidable relative to the other device.

- 32 -

27. A device as claimed in any of claims 22 to 26 wherein the other device comprises a sealing device.
- 5 28. A device as claimed in claim 27 wherein the sealing device is located proximally of the sealing member.
29. A device as claimed in claim 27 or 28 wherein the sealing device comprises a lip seal.
- 10 30. A hand access device for use in hand assisted laparoscopic surgery comprising a device as claimed in any of claims 1 to 29.
31. A surgical device assembly comprising a retractor and a device as claimed in any of claims 1 to 30.
- 15 32. An assembly as claimed in claim 31 wherein the device is releasably mountable to the retractor.
- 20 33. An assembly as claimed in claim 32 wherein device is mounted to the retractor.
34. A method of performing hand assisted surgery comprising the steps of:-
- 25 providing a device as claimed in any preceding claim; and
- inserting a hand into the device against the biasing of the sealing member whilst maintaining substantial sealing engagement between the sealing member and the surgeon's hand/arm.

30

35. A method of performing a surgical procedure comprising the steps of providing a device as claimed in any of claims 1 to 33 and inserting an object into the device against the biasing of the sealing member whilst maintaining sealing engagement between the sealing member and the object.

5

36. A method as claimed in claim 35 wherein the object is a surgeon's hand/forearm.

37. A method as claimed in claim 35 wherein the object is an instrument.

10

38. A surgical device substantially as hereinbefore described with reference to the accompanying drawings.

39. An assembly substantially as hereinbefore described with reference to the accompanying drawings.

15

40. A method substantially as hereinbefore described with reference to the accompanying drawings.

20

25

30

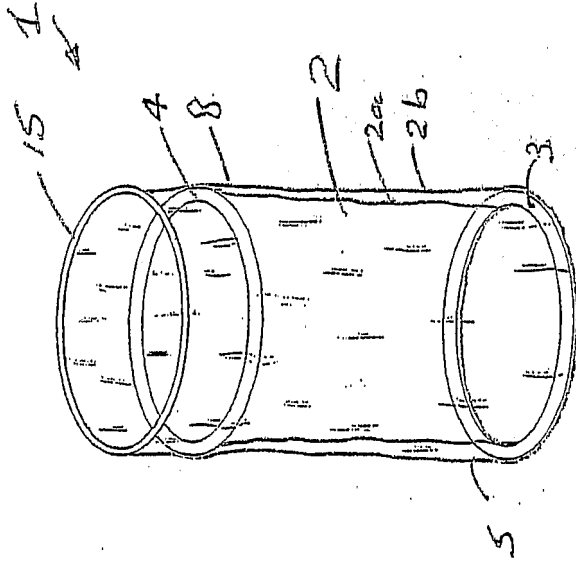


Fig. 1

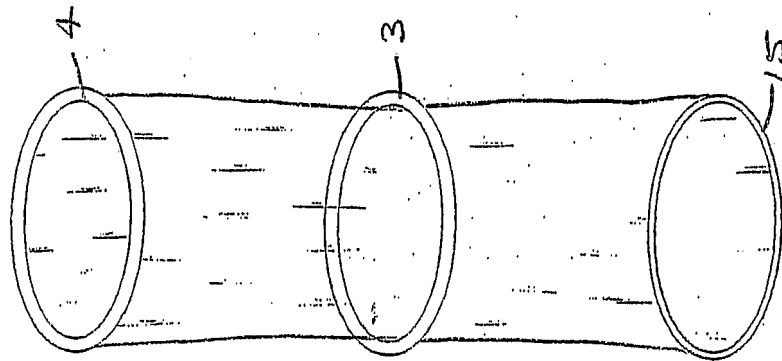


Fig. 3

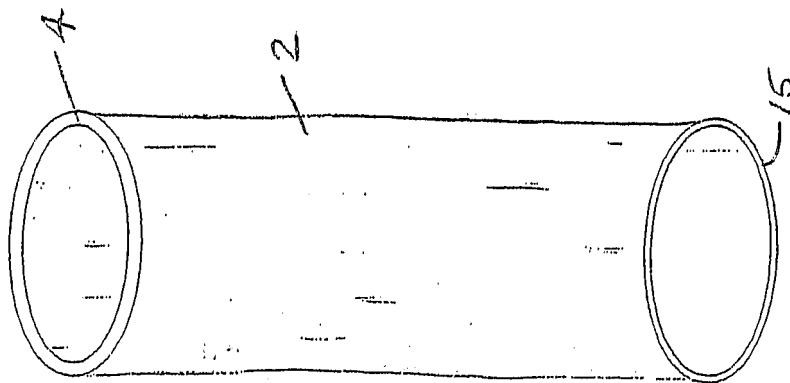


Fig. 4

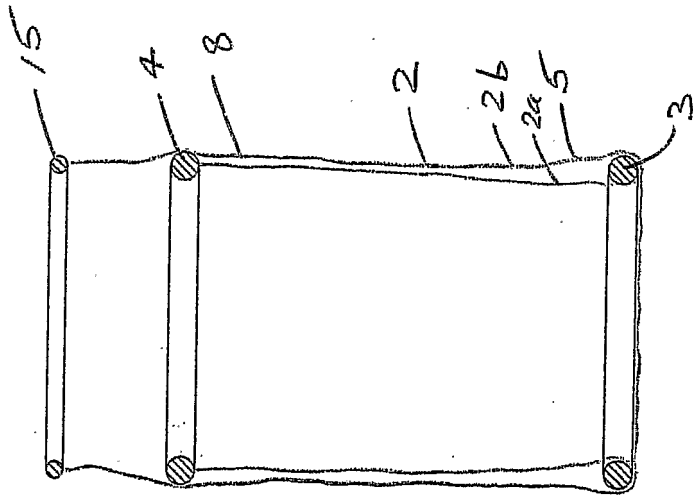


Fig. 2

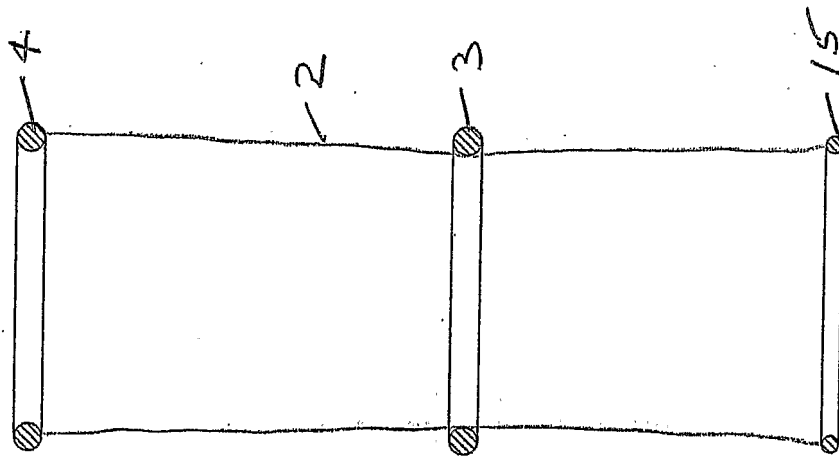


Fig. 6

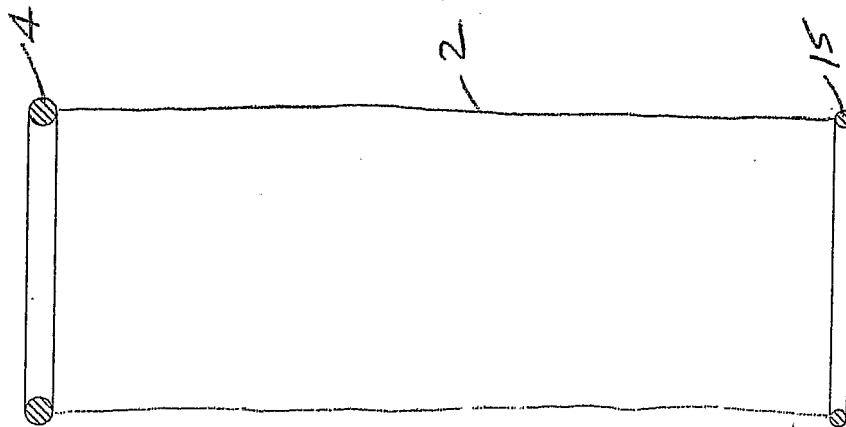


Fig. 5

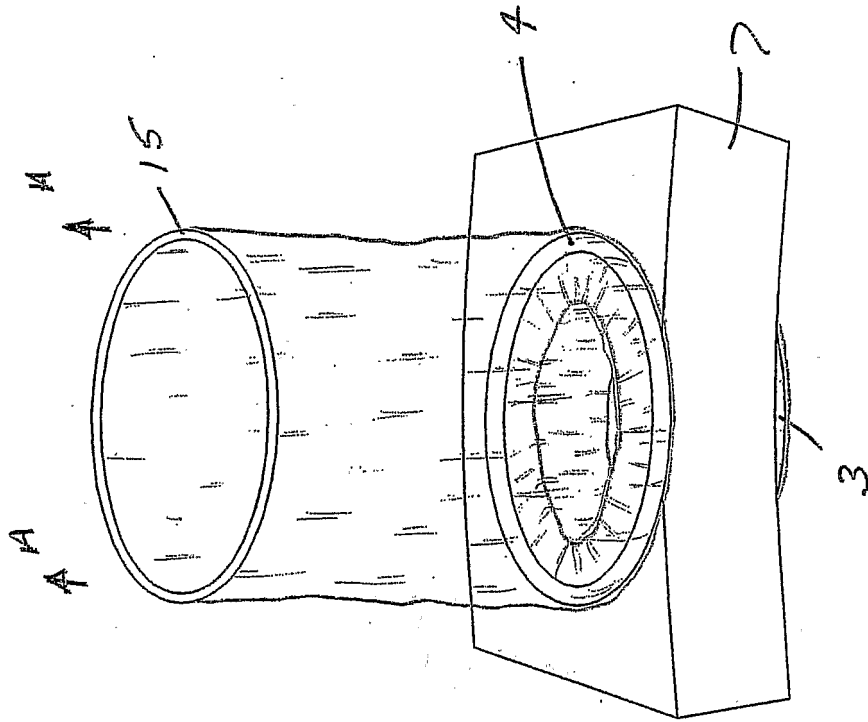


Fig. 8

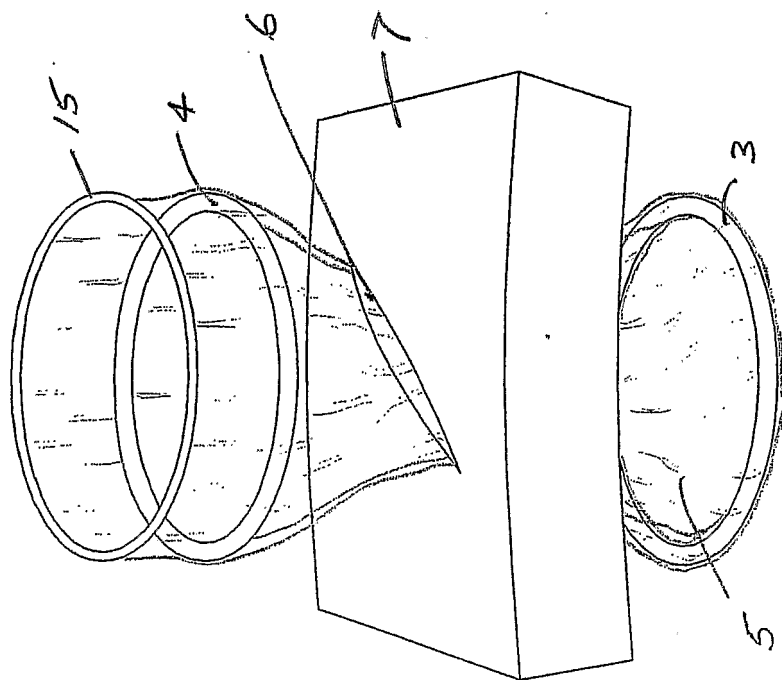


Fig. 7

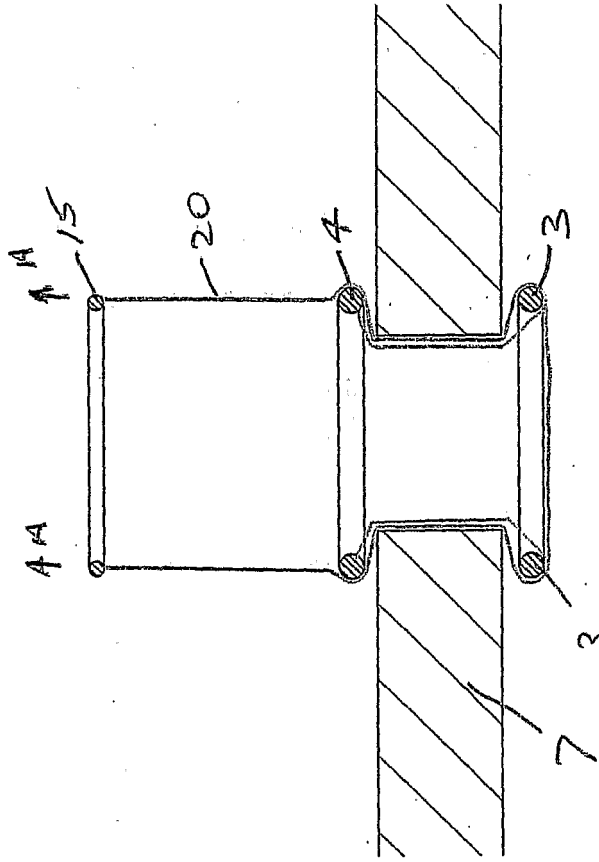


Fig. 10

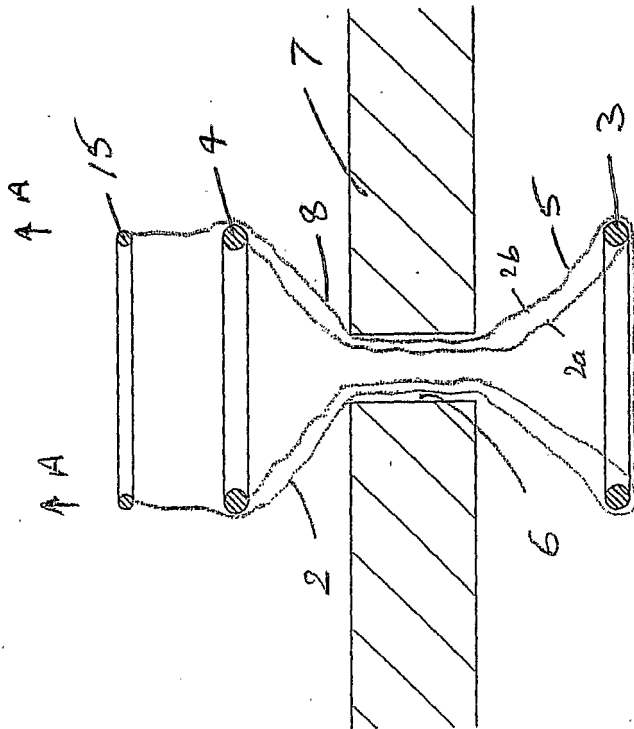


Fig. 9

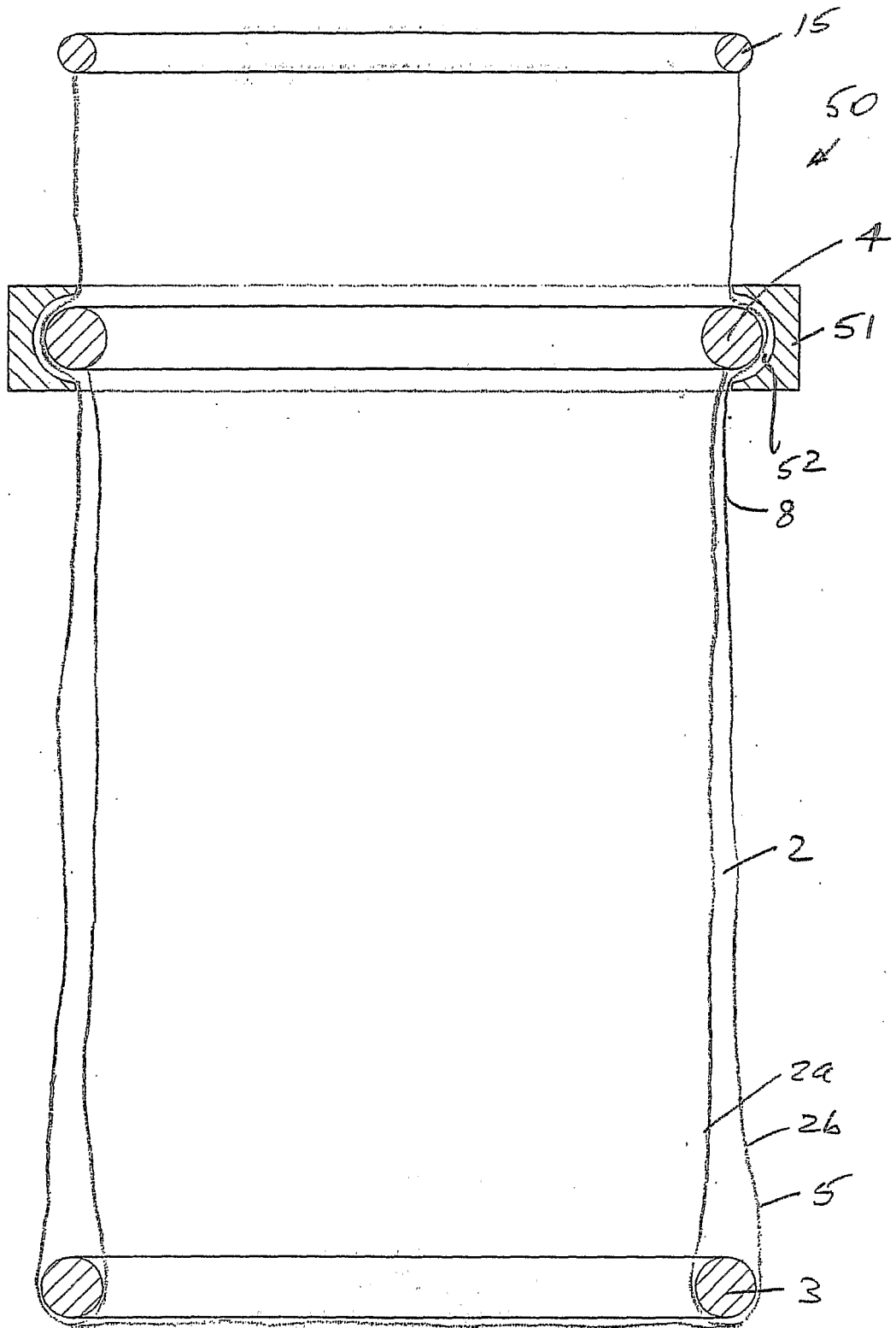


Fig. 11

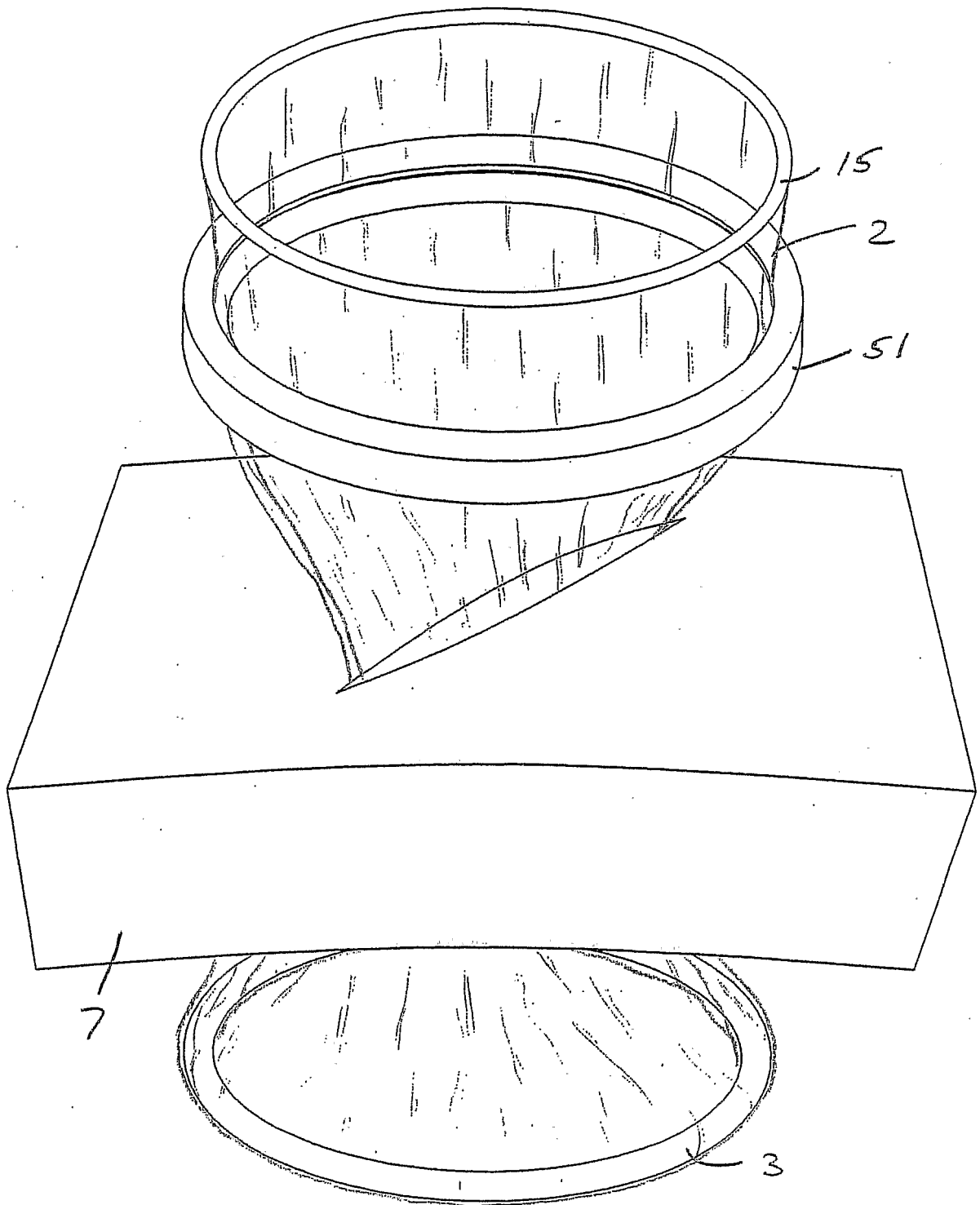


Fig. 12

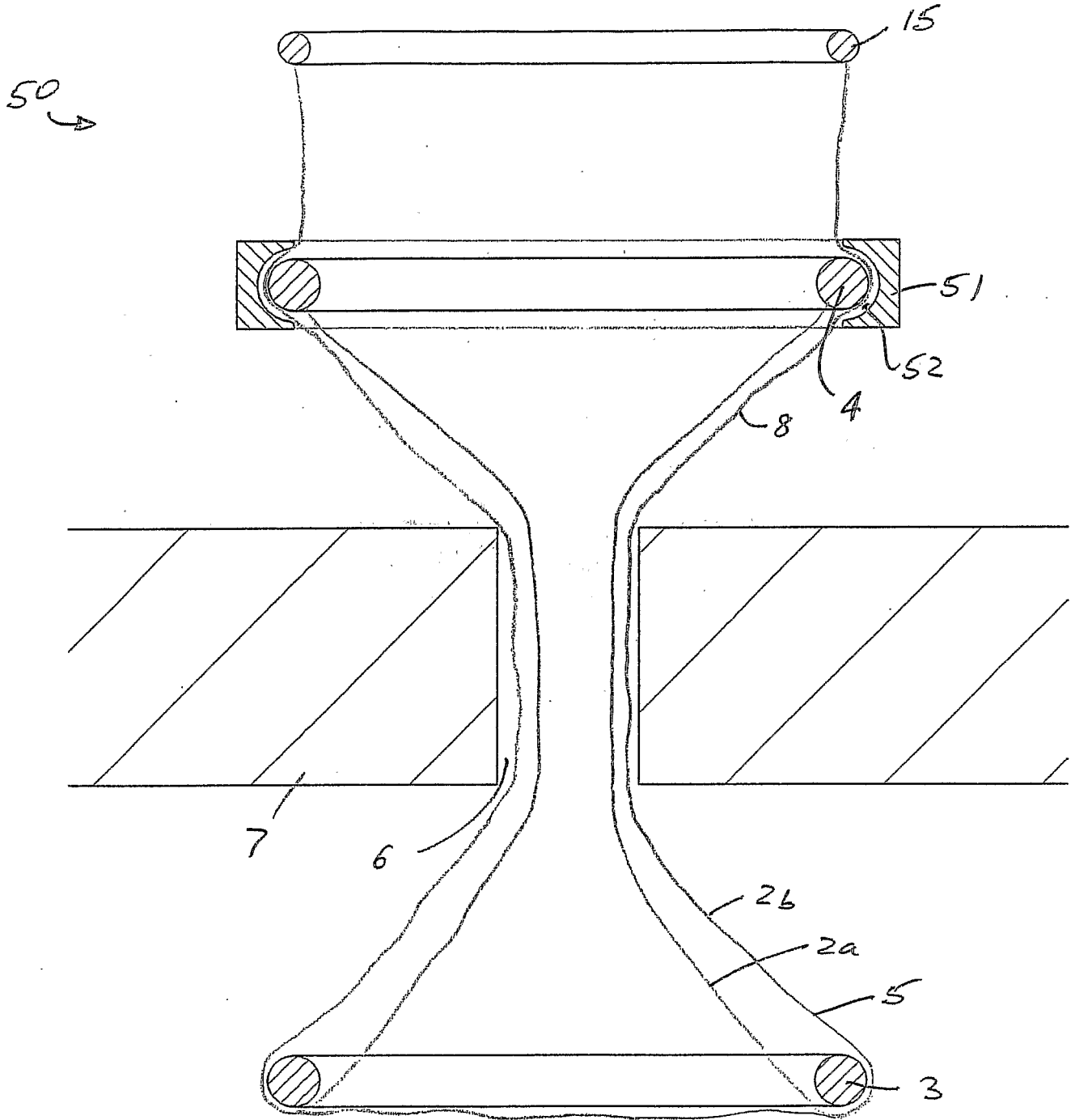


Fig. 13

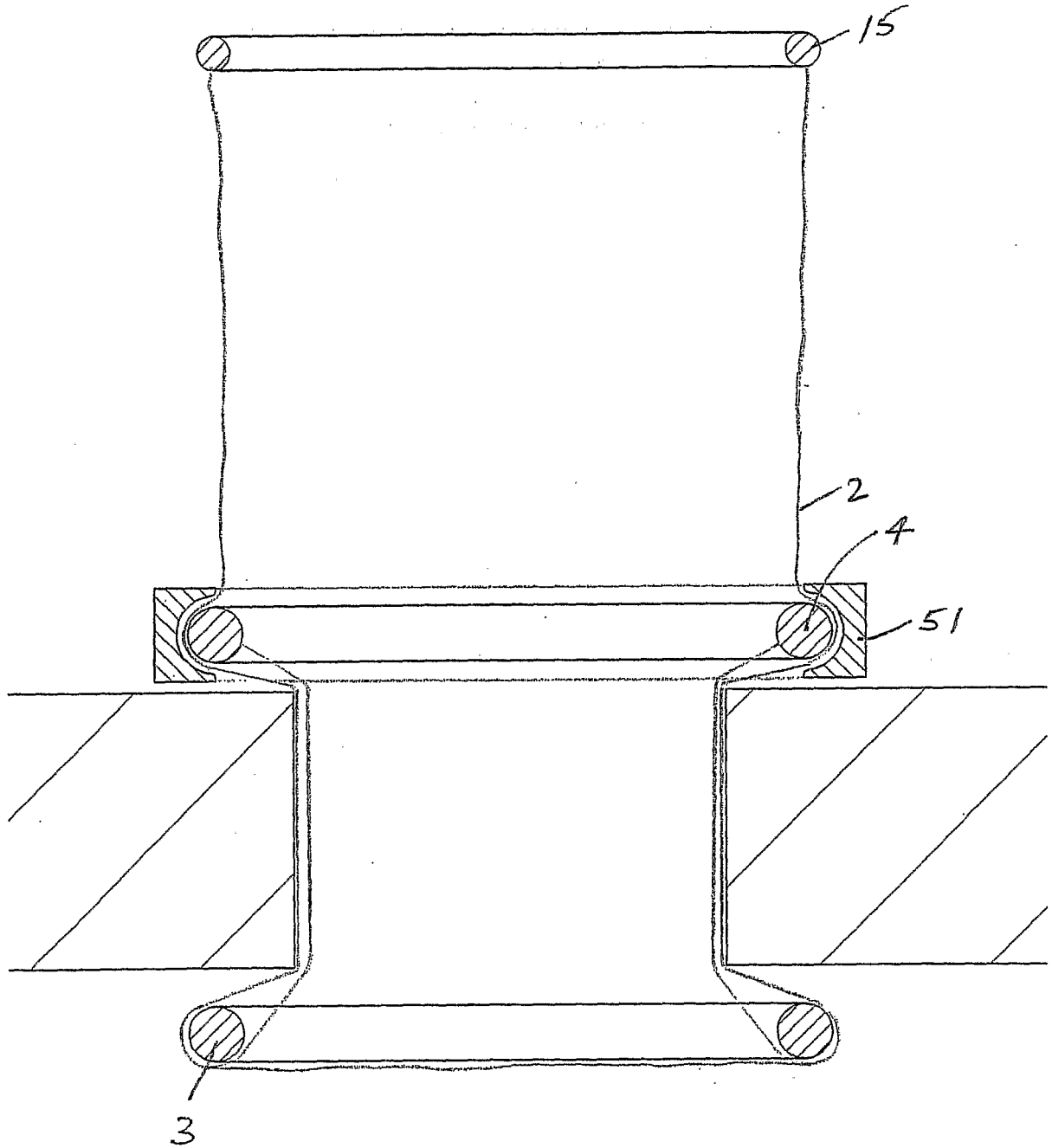


Fig. 14

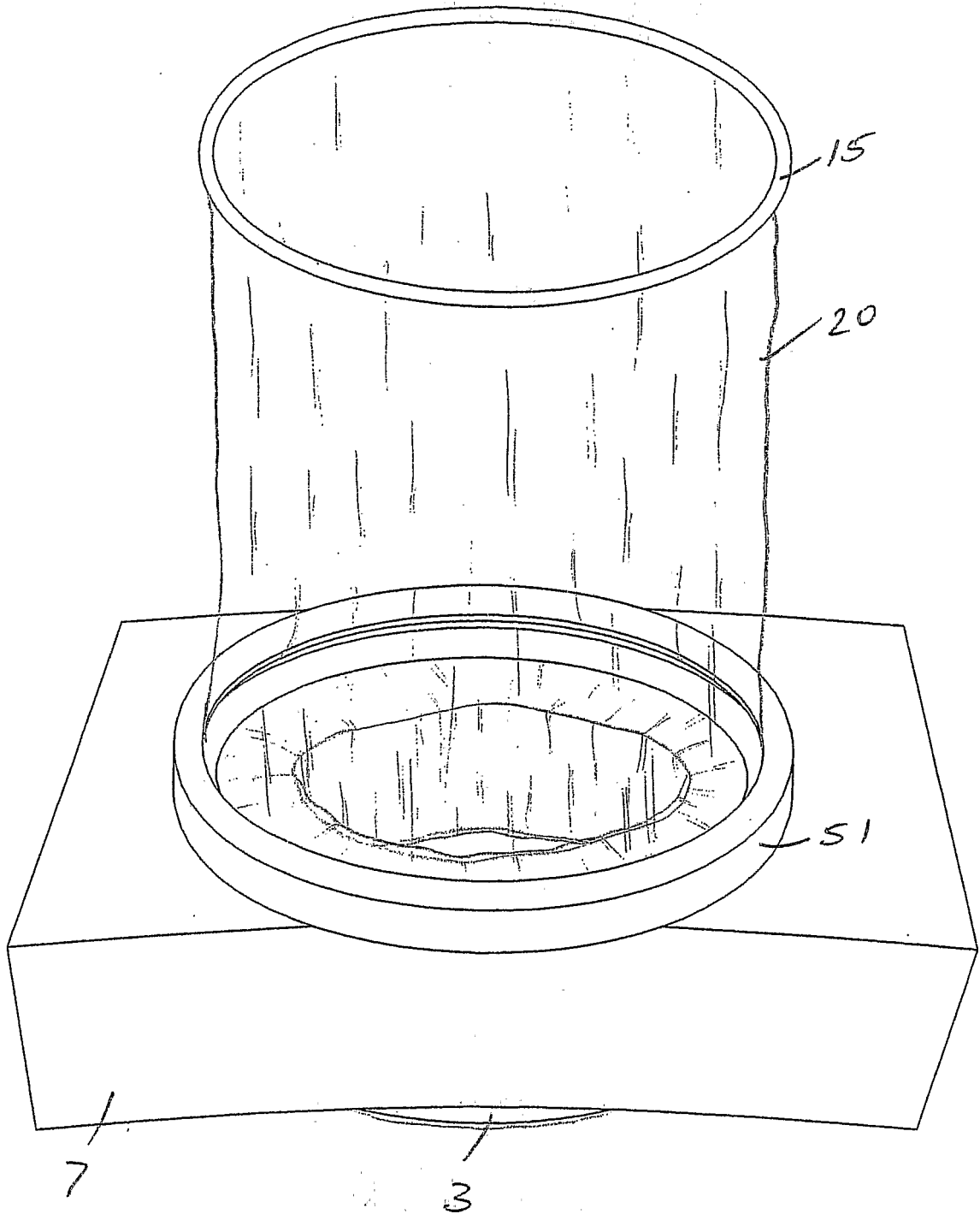


Fig. 15

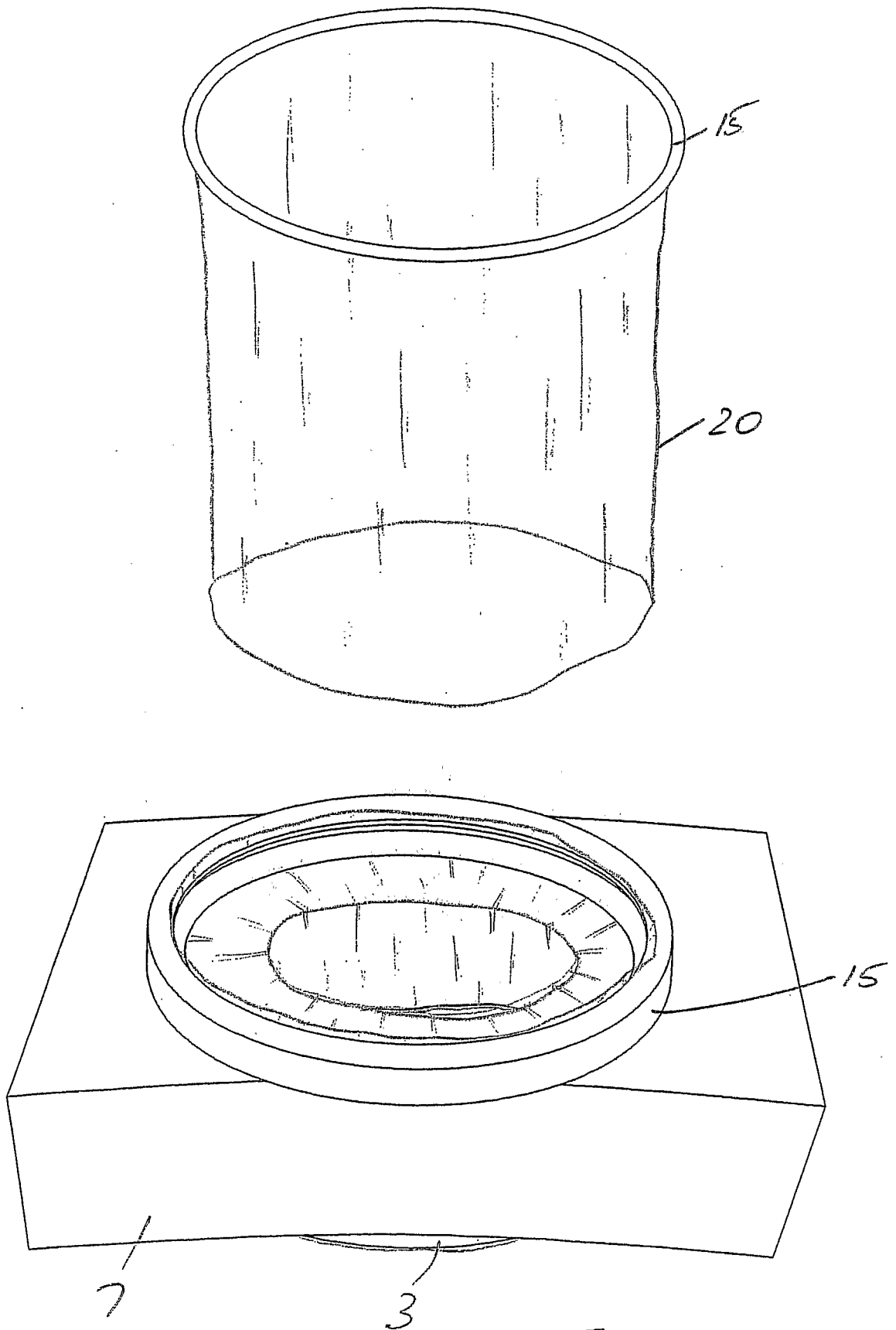


Fig. 16

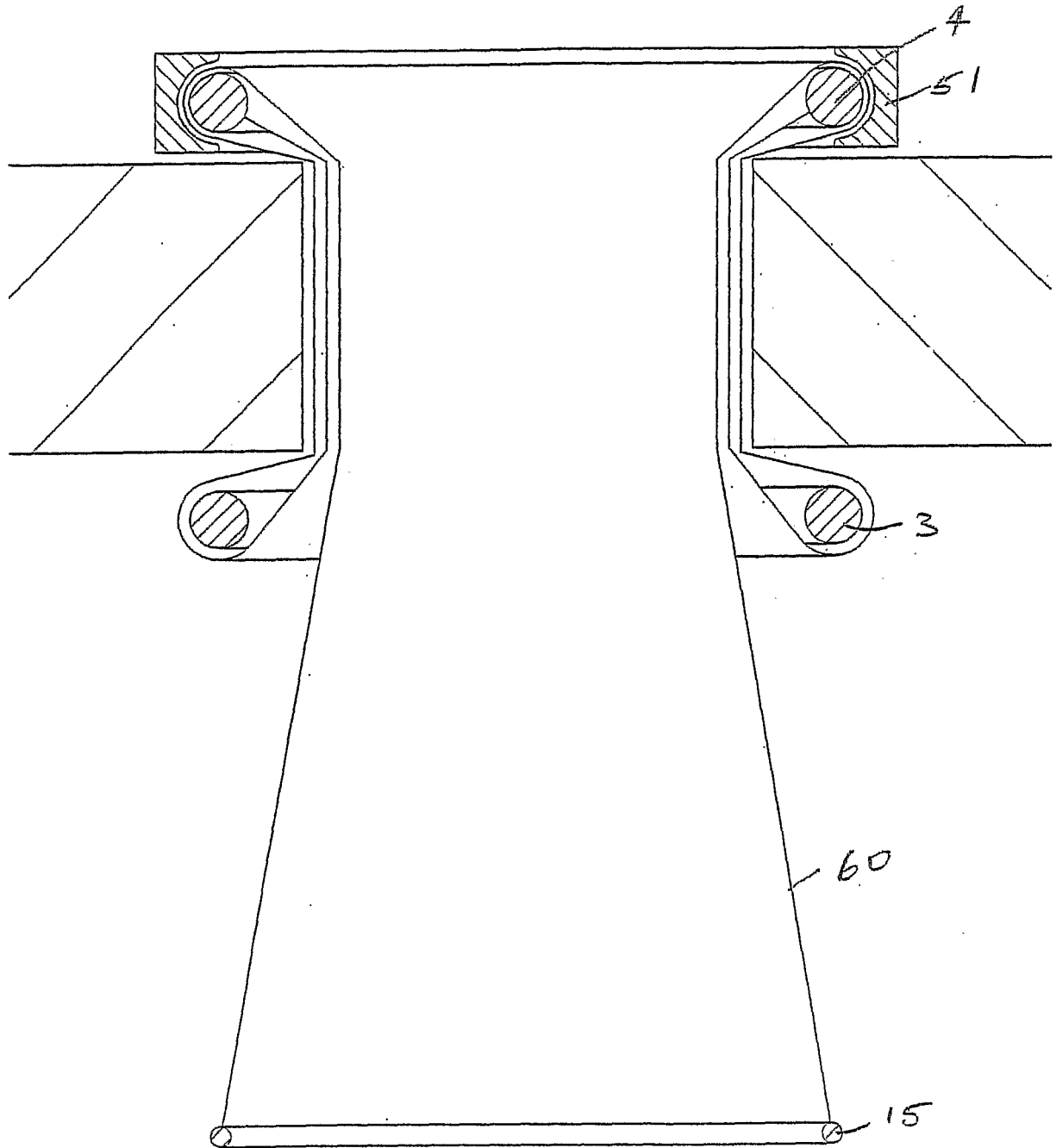


Fig. 17

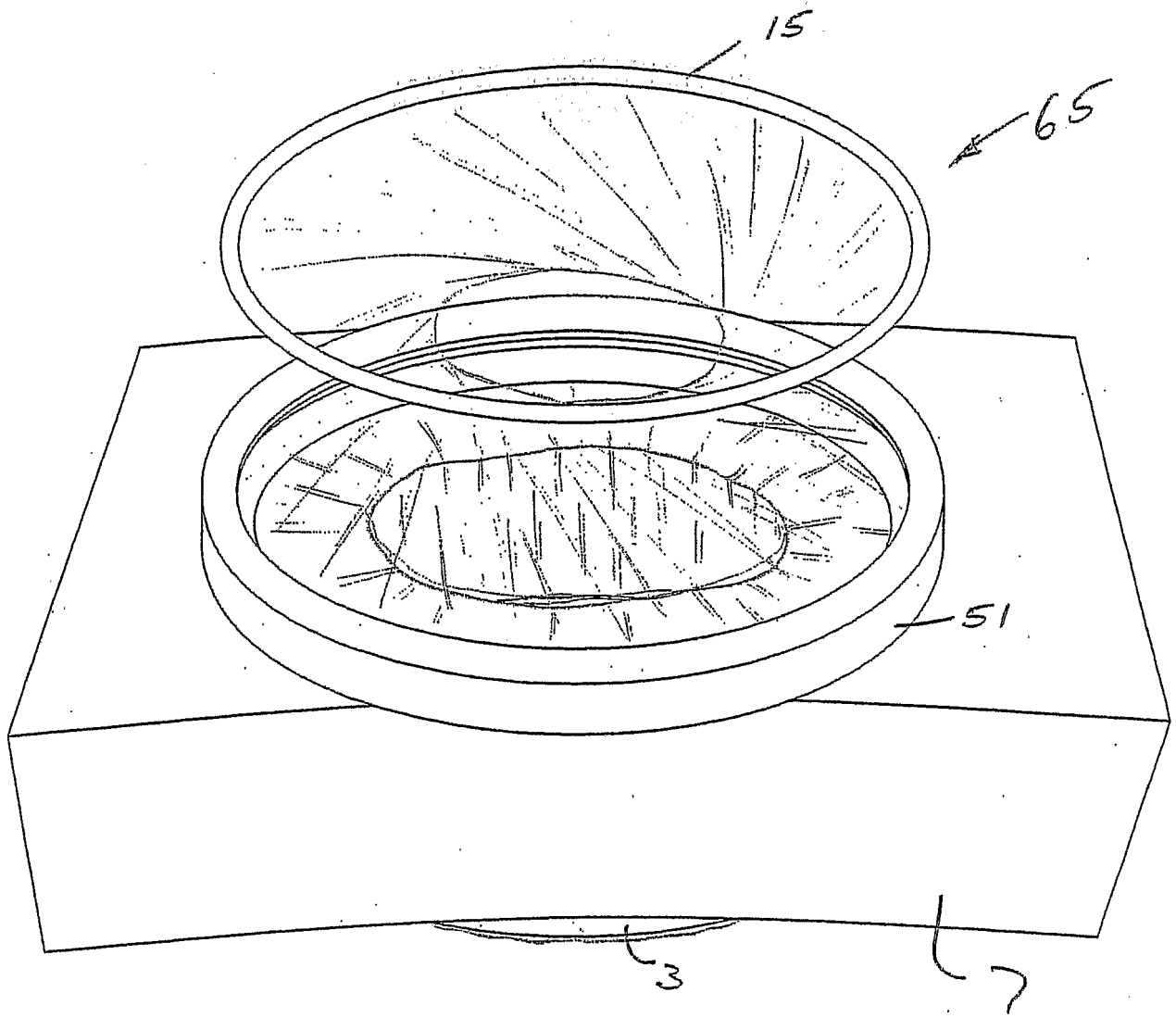


Fig. 18

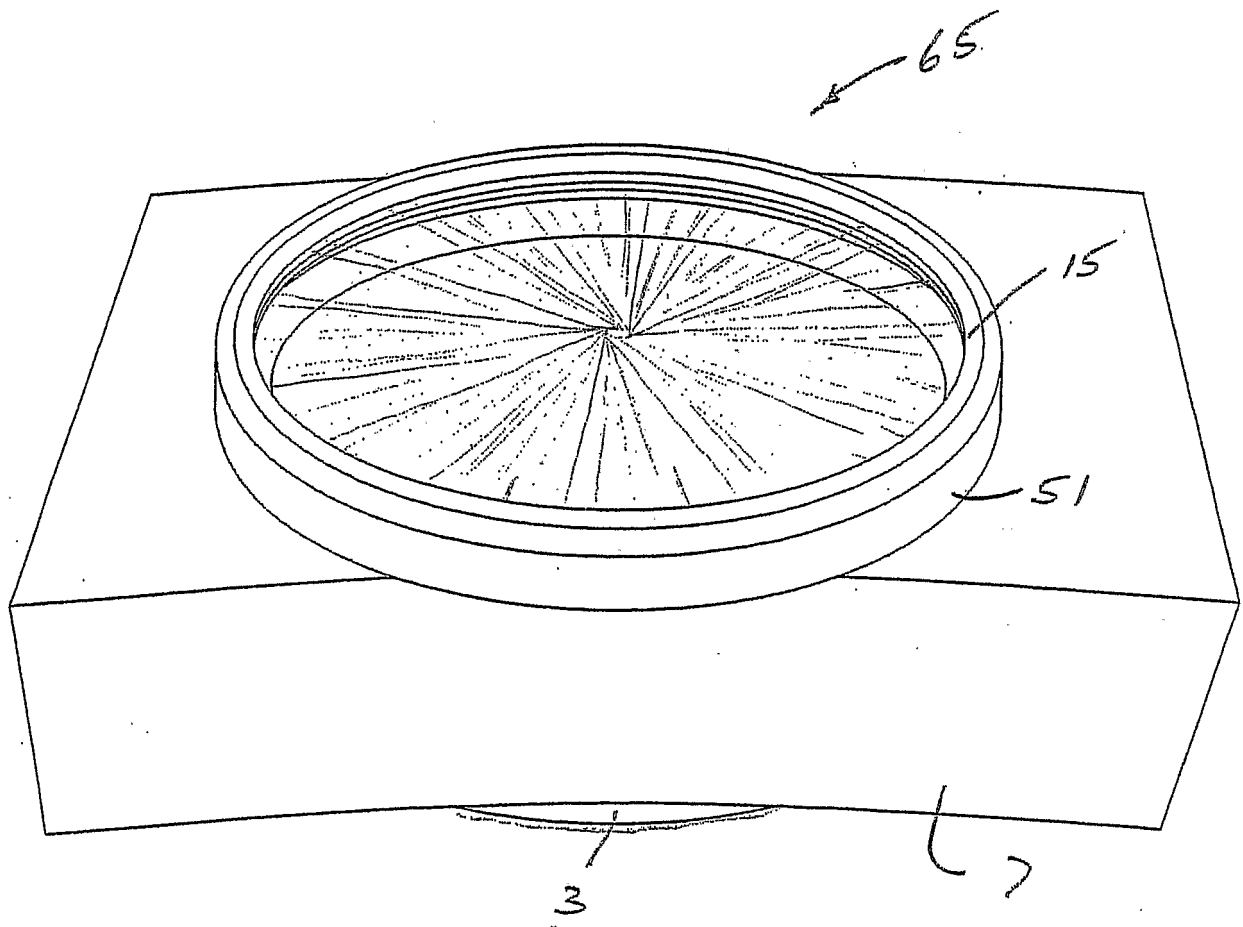


Fig. 19

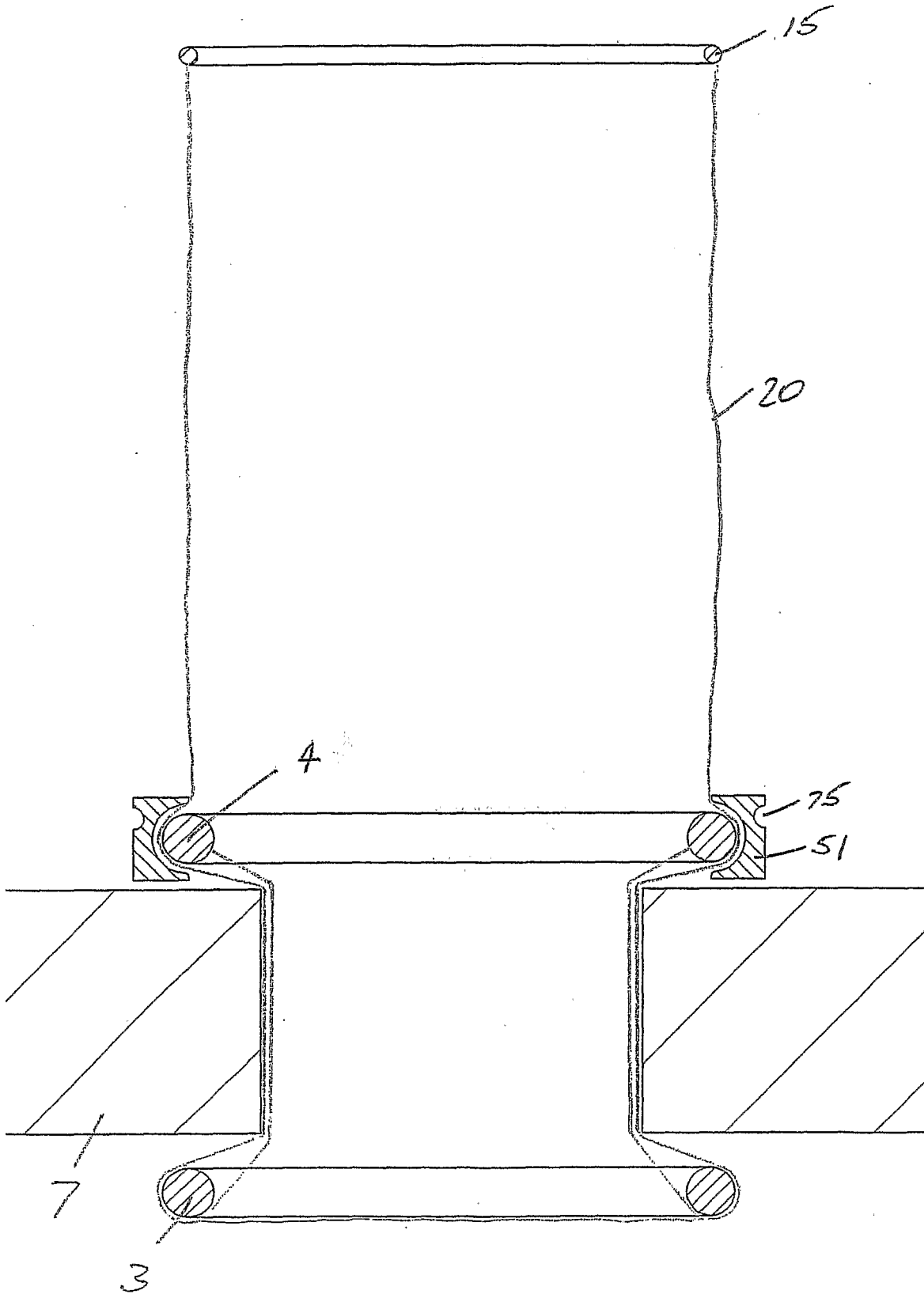


Fig. 20

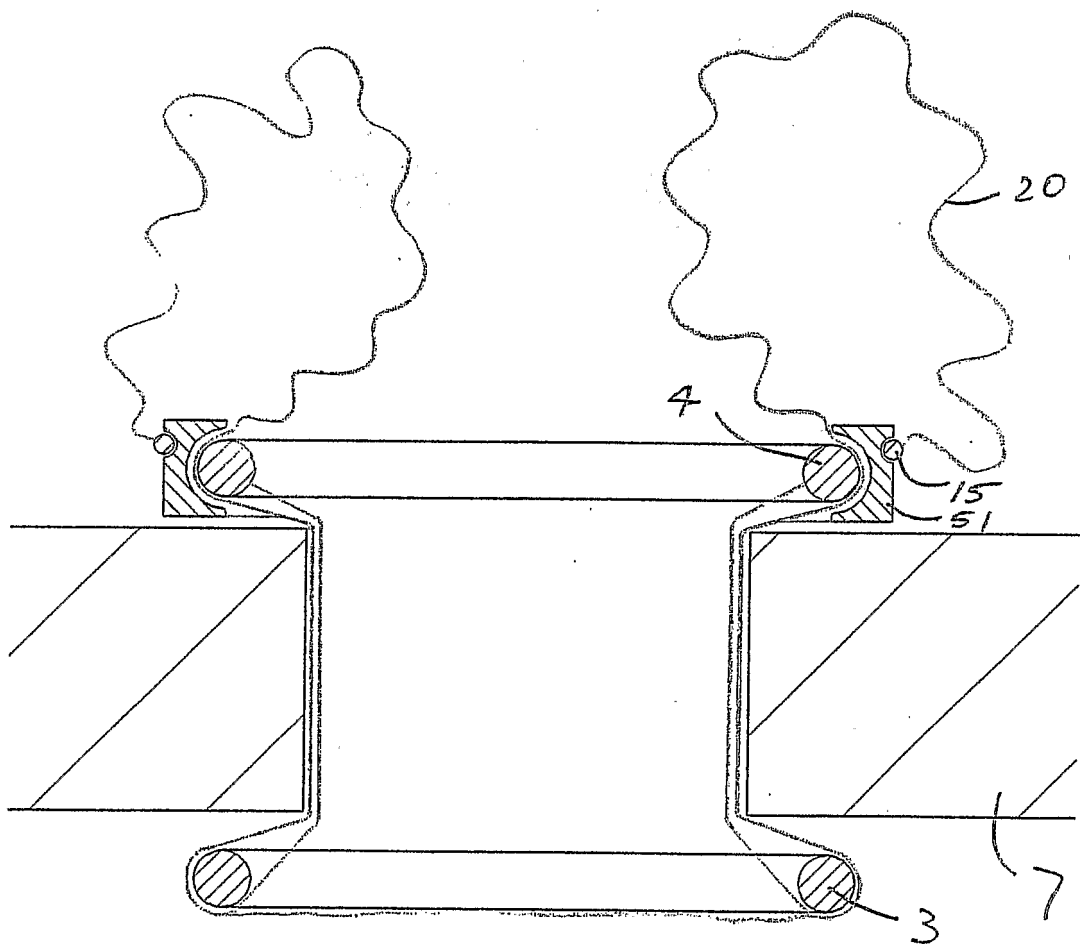


Fig. 21

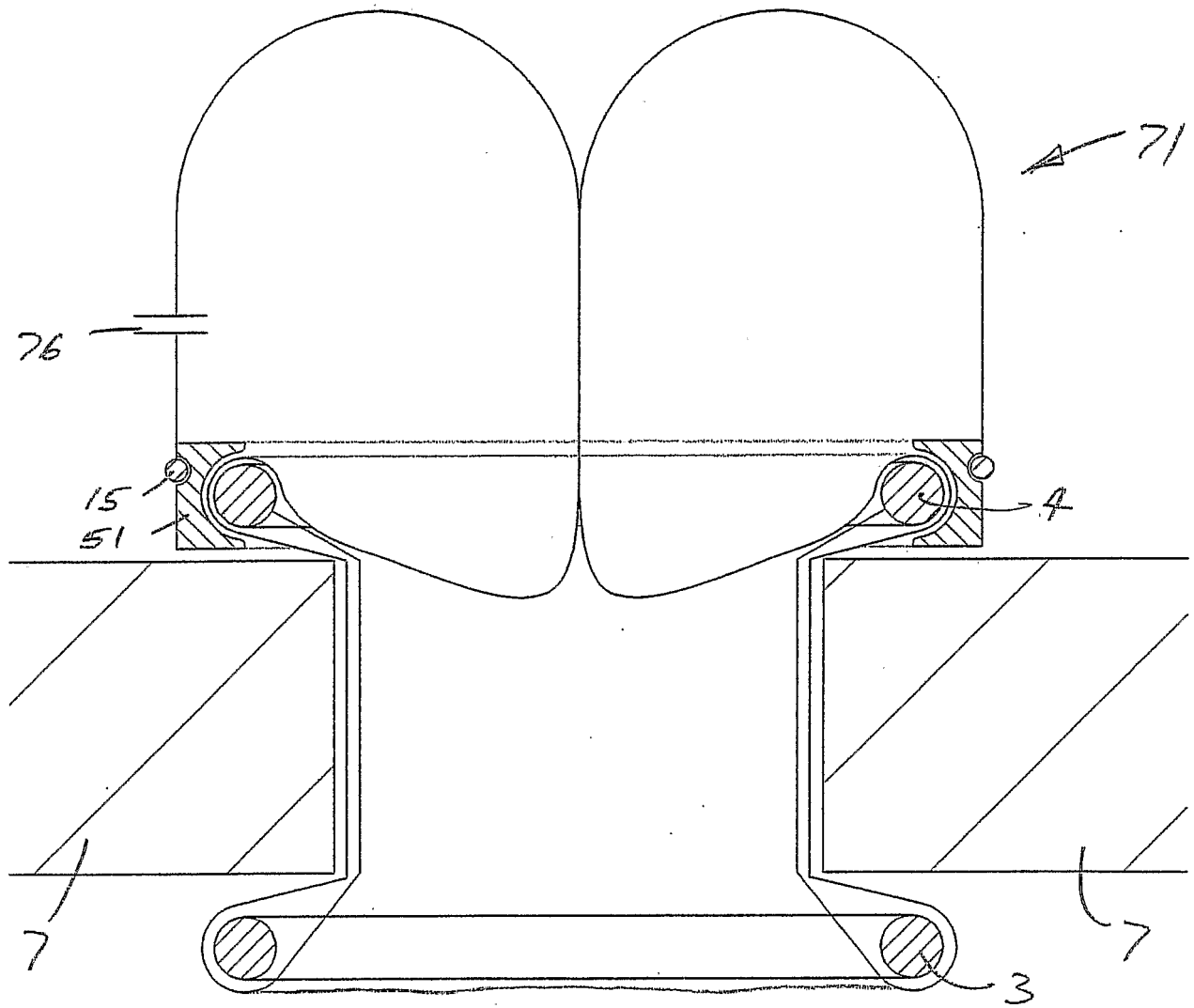


Fig. 22

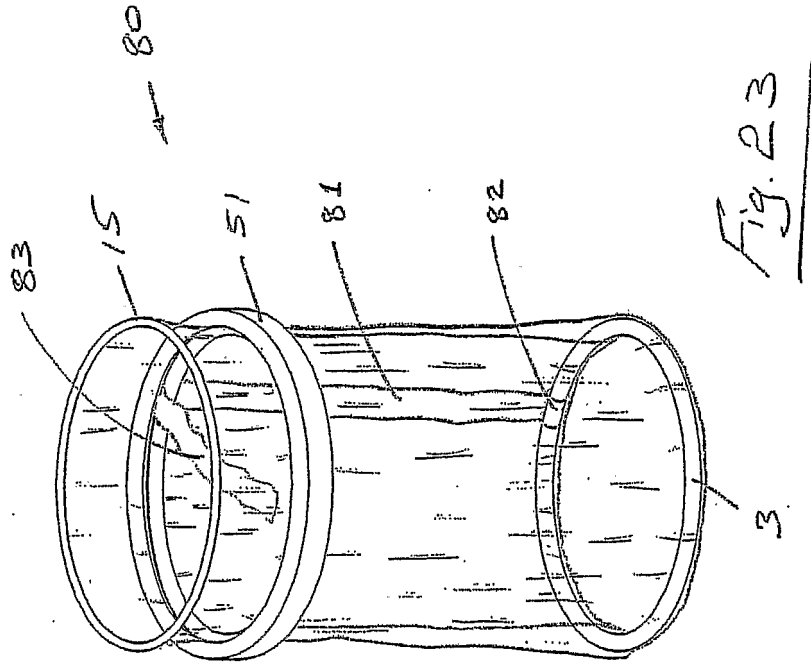


Fig. 23

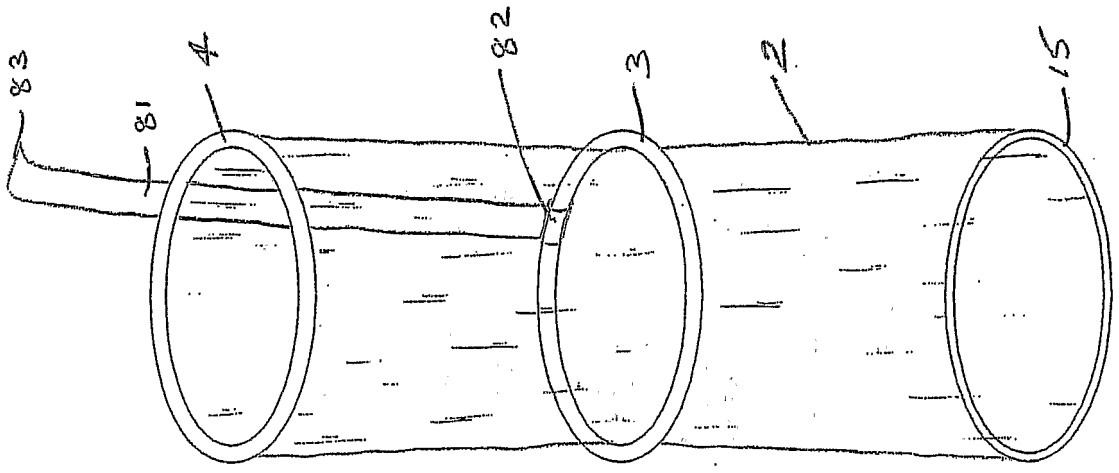


Fig. 25

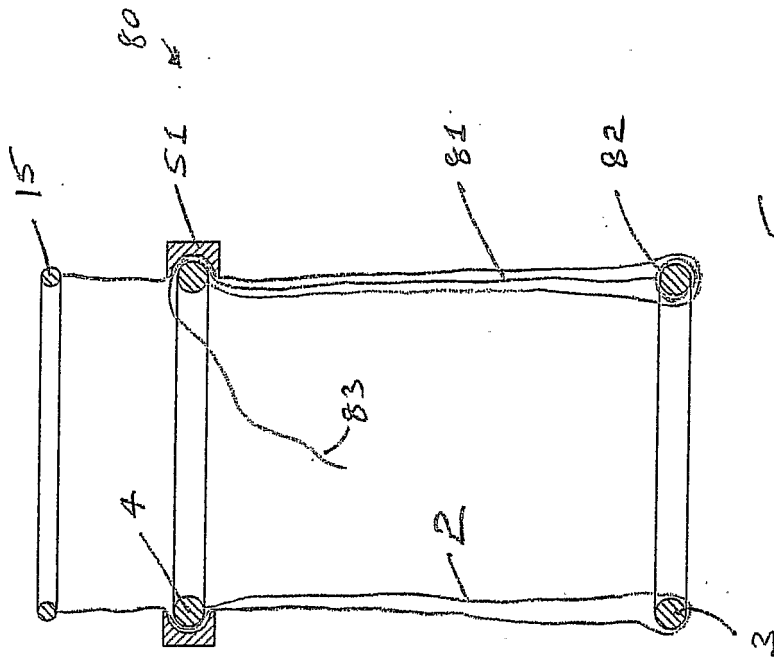


Fig. 24

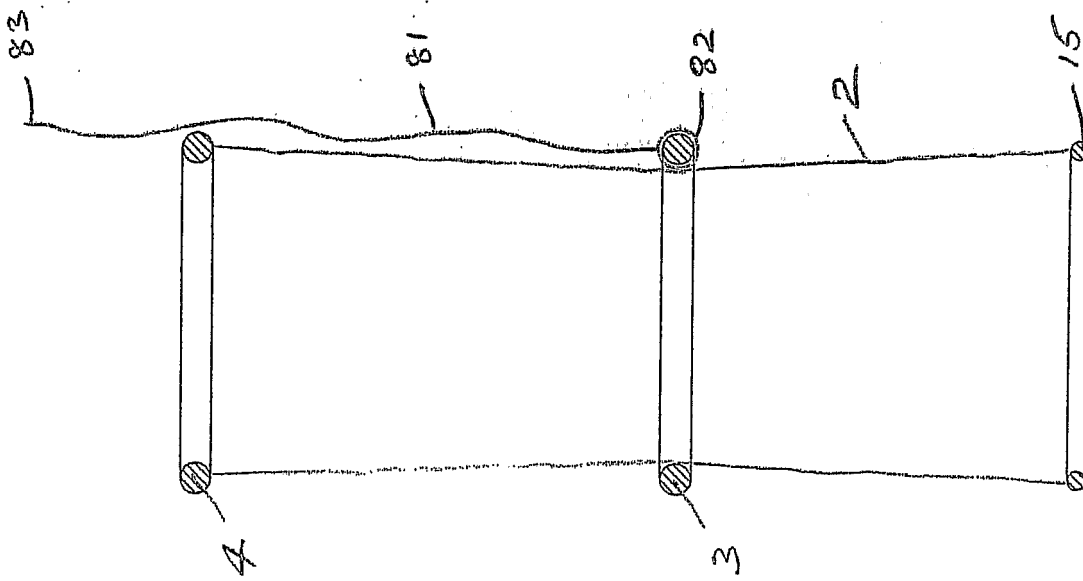


Fig. 26

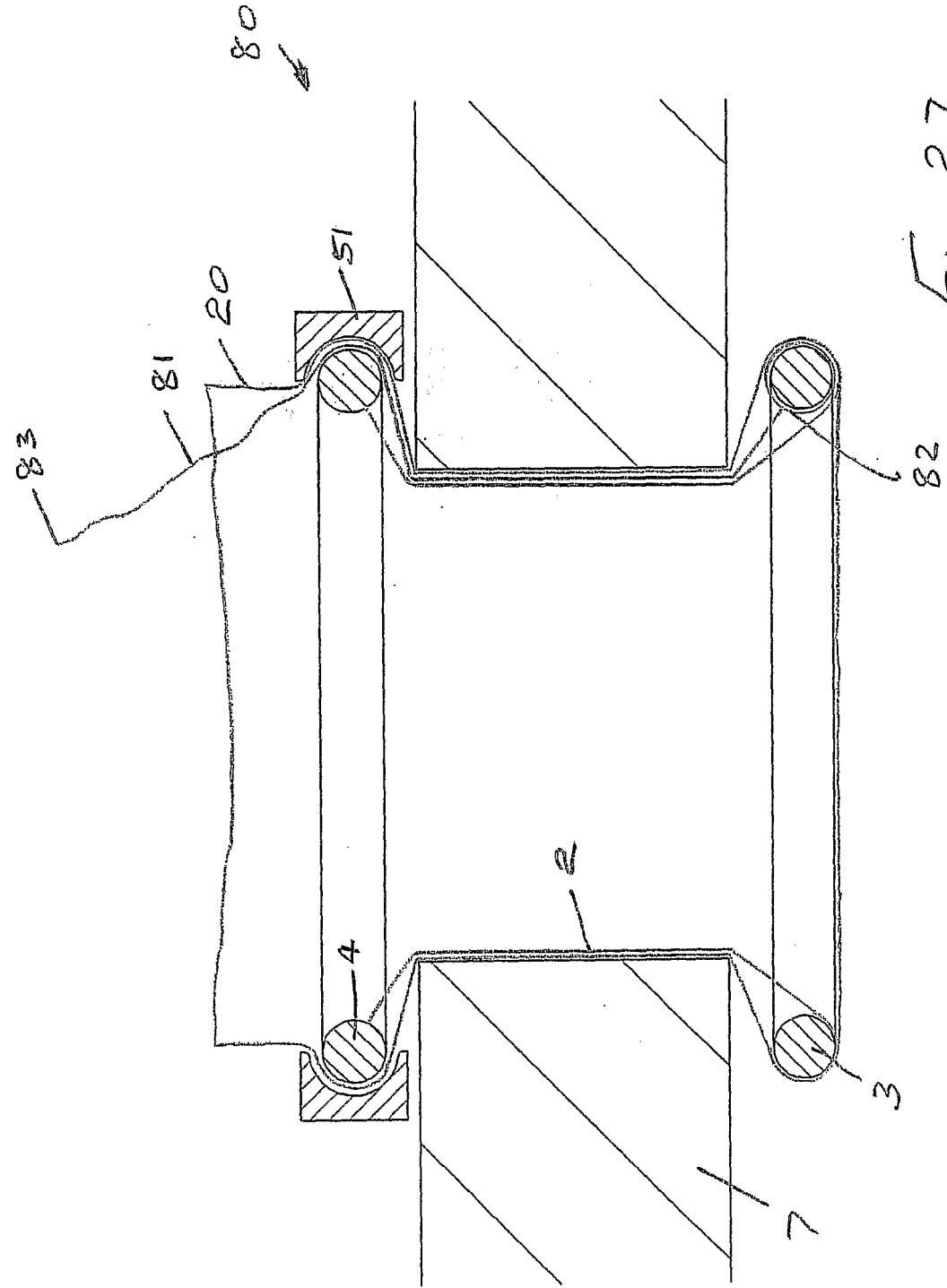


Fig. 27

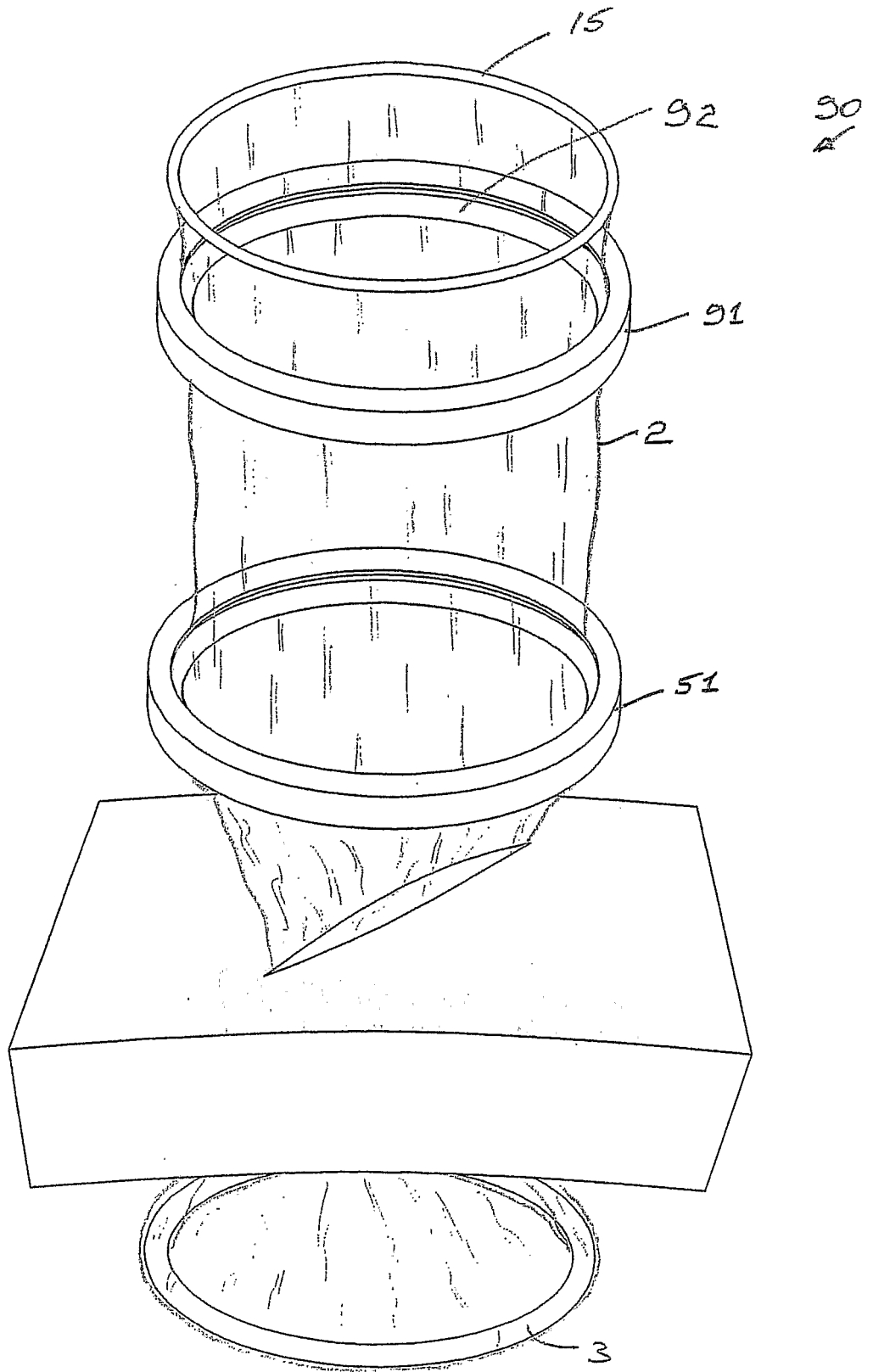


Fig. 29

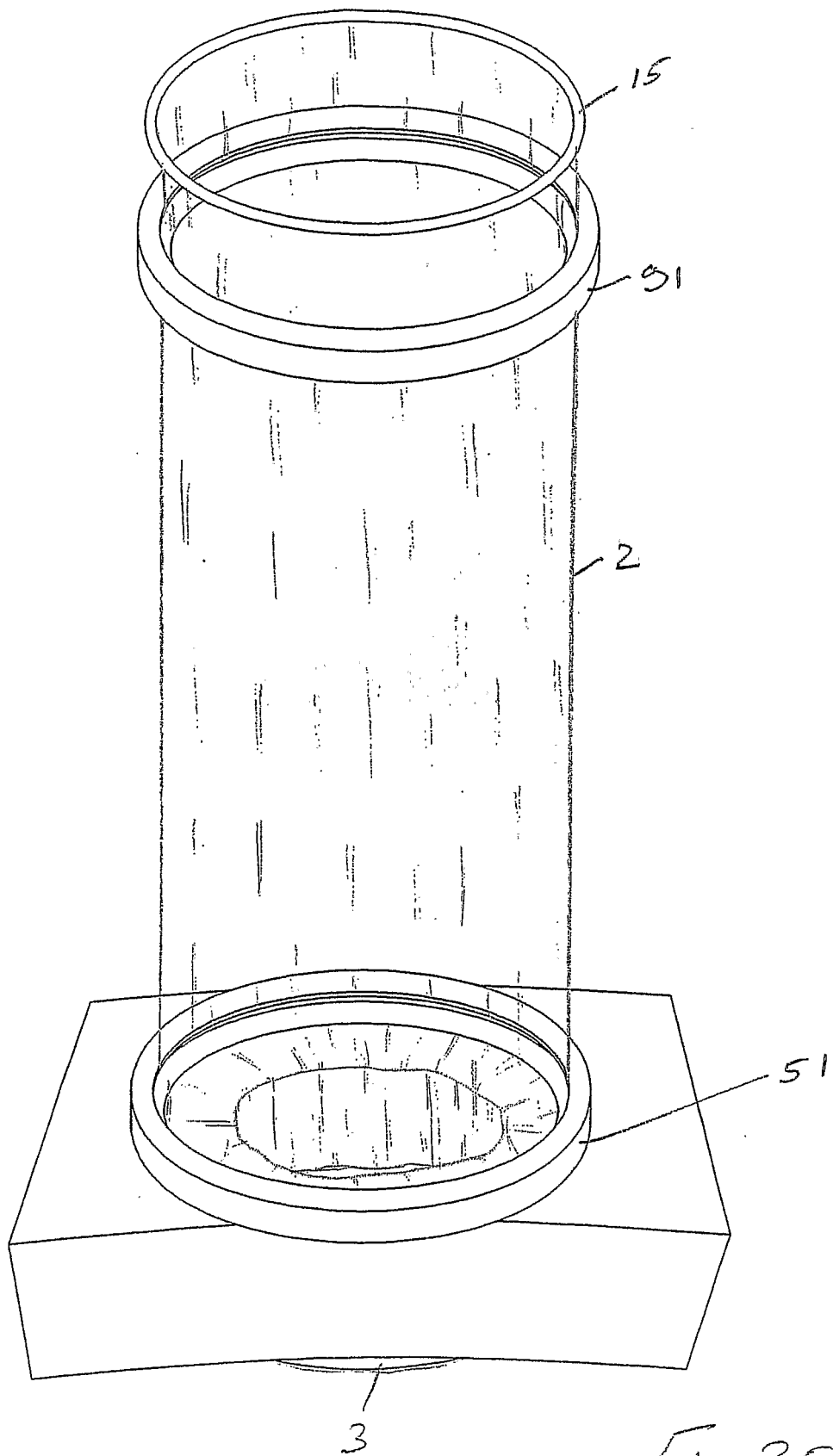


Fig. 30

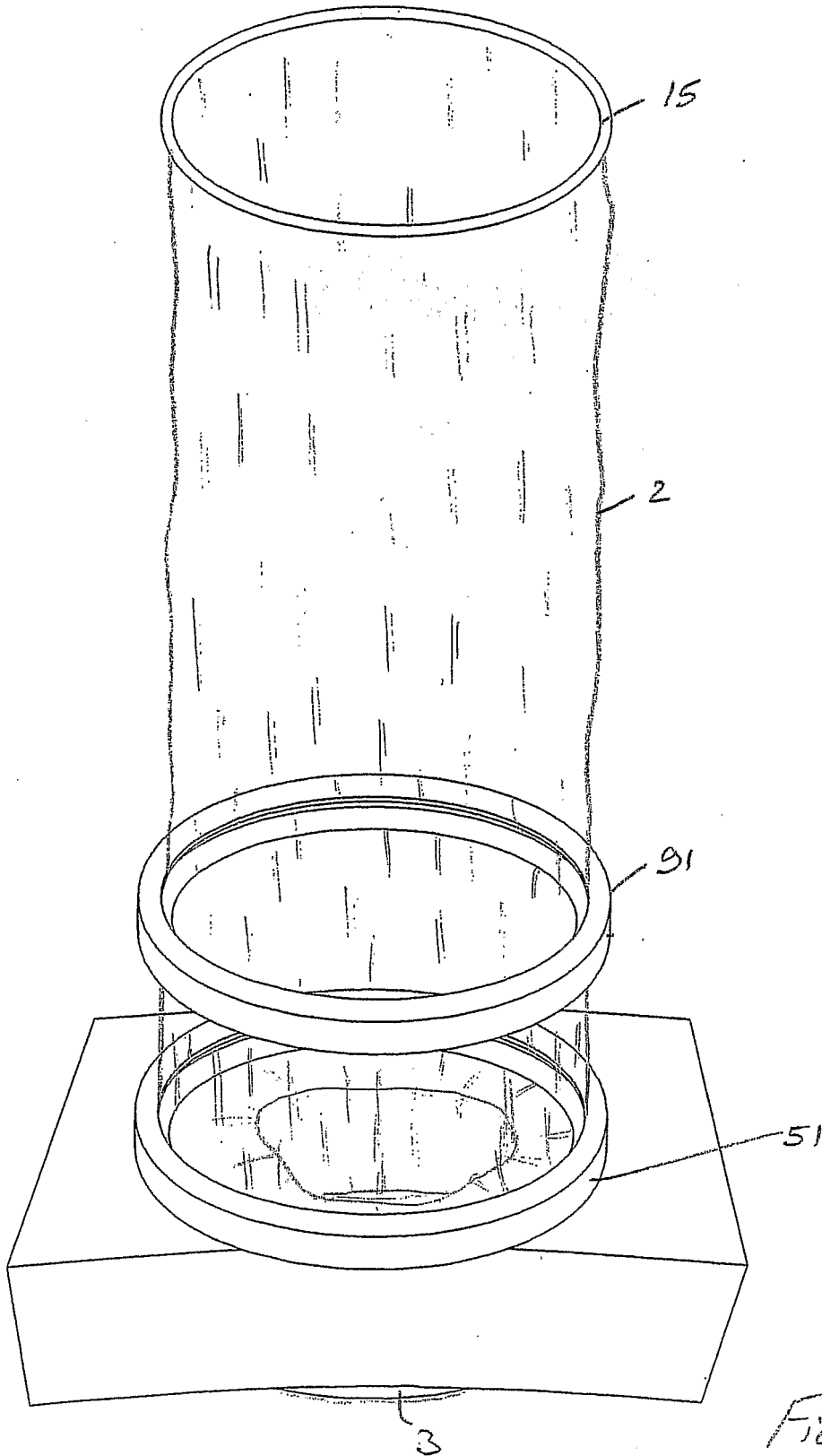


Fig. 31

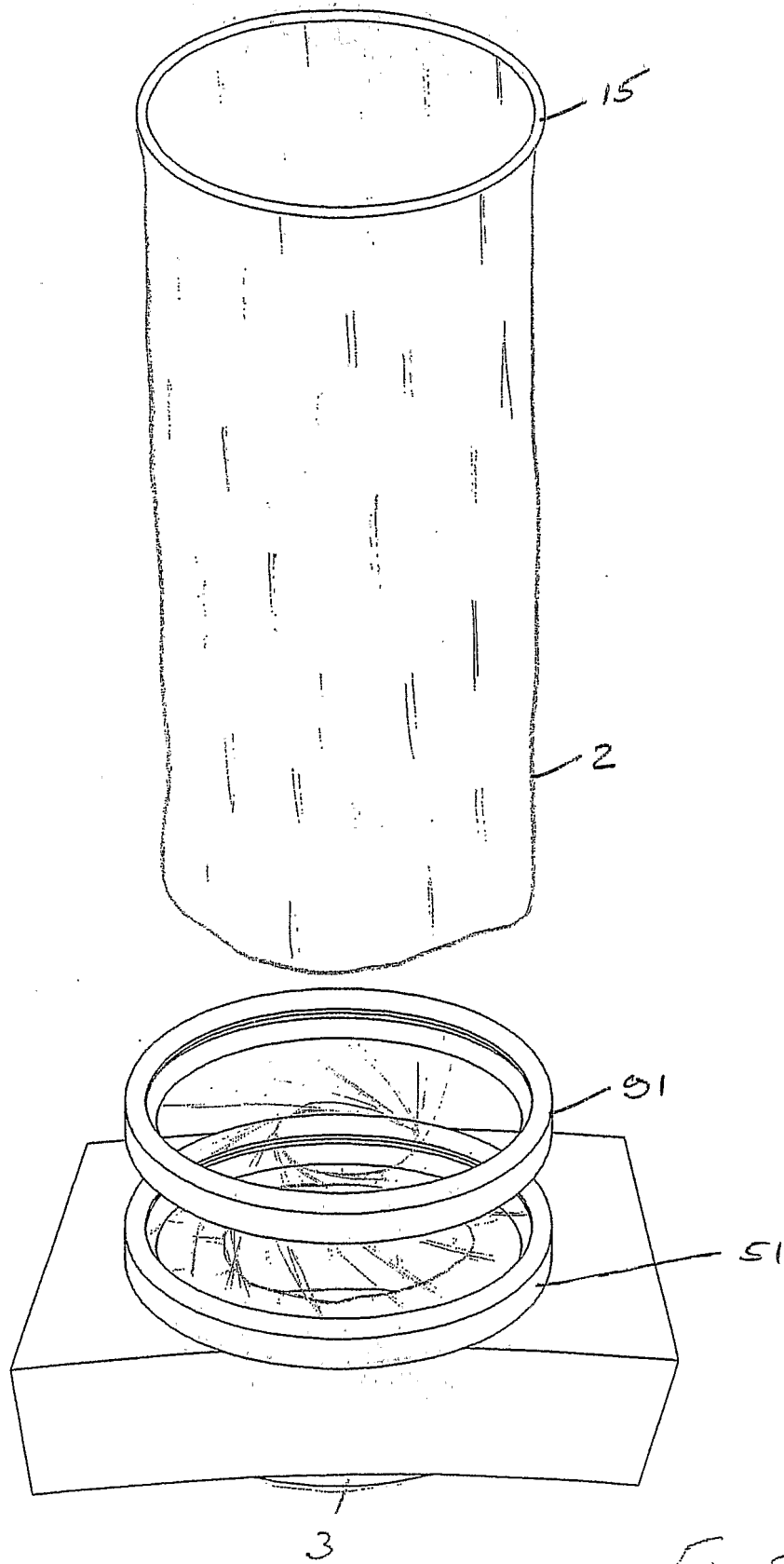


Fig. 32

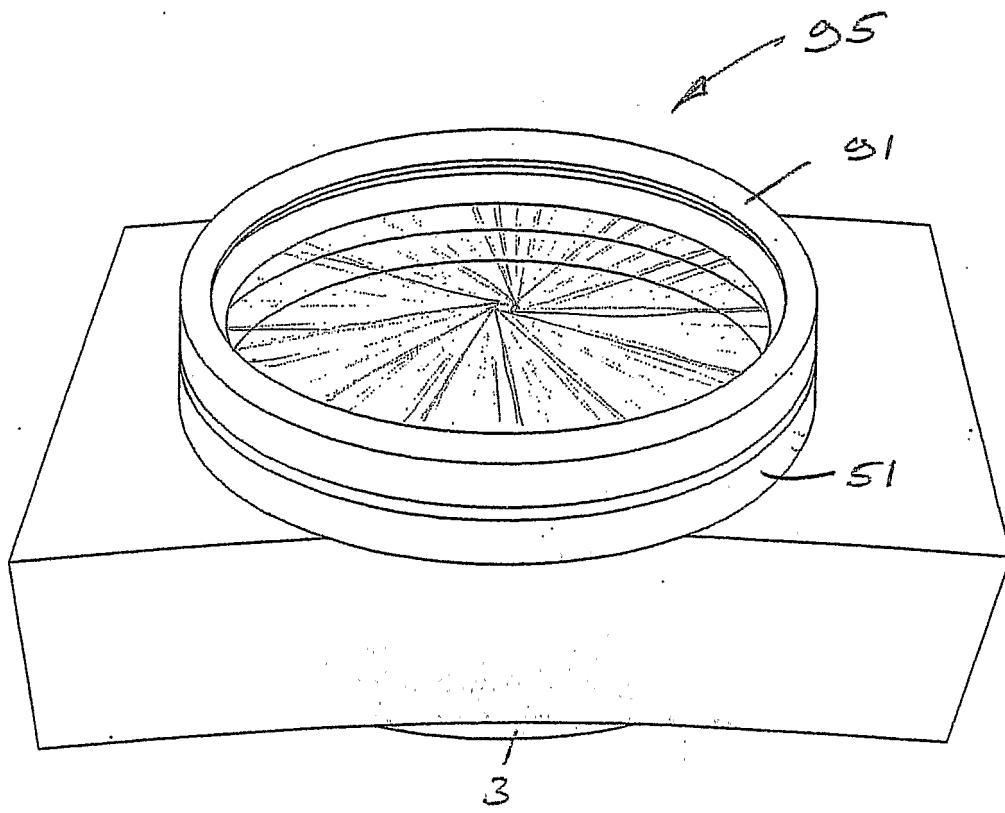


Fig. 33

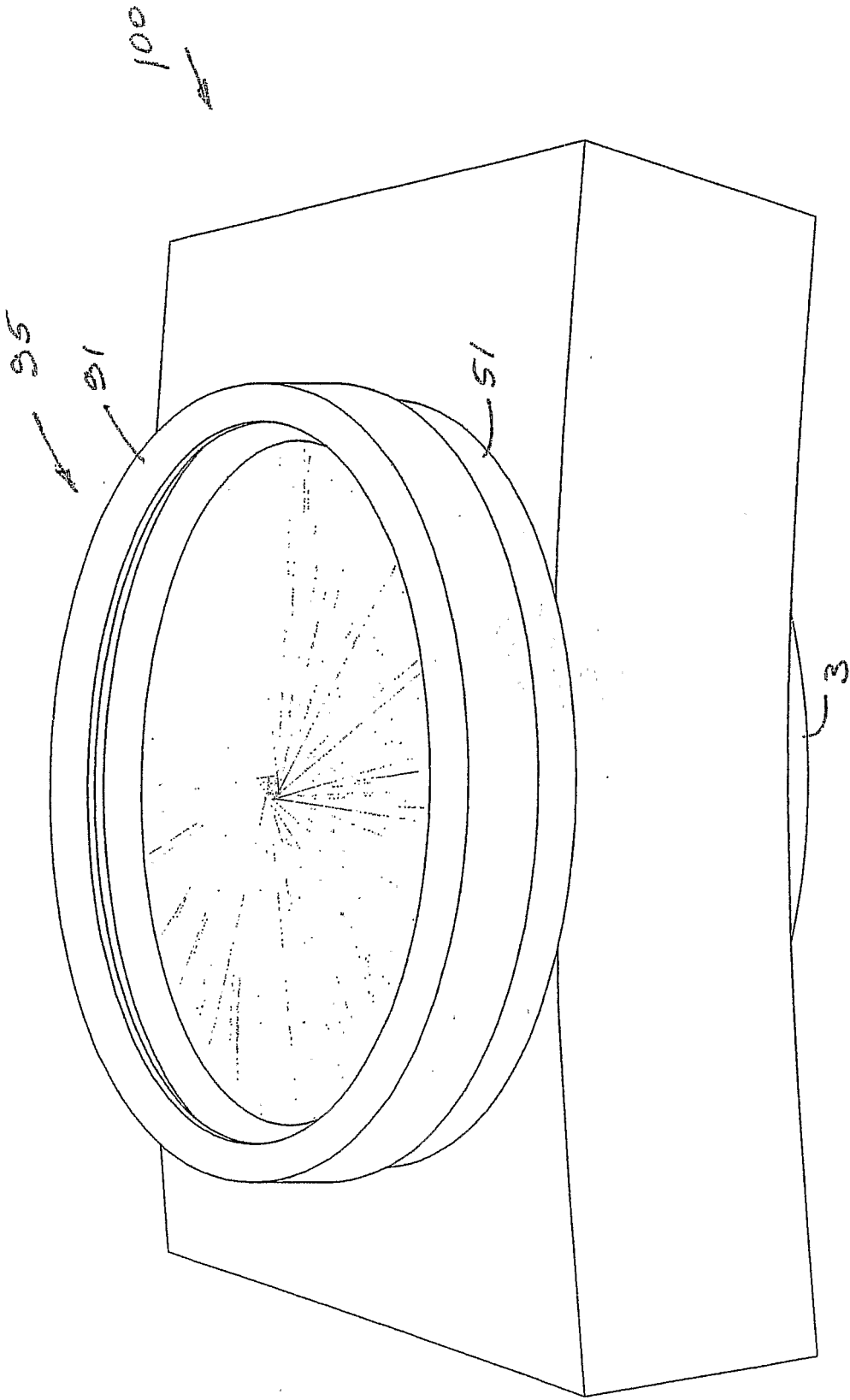


Fig. 34

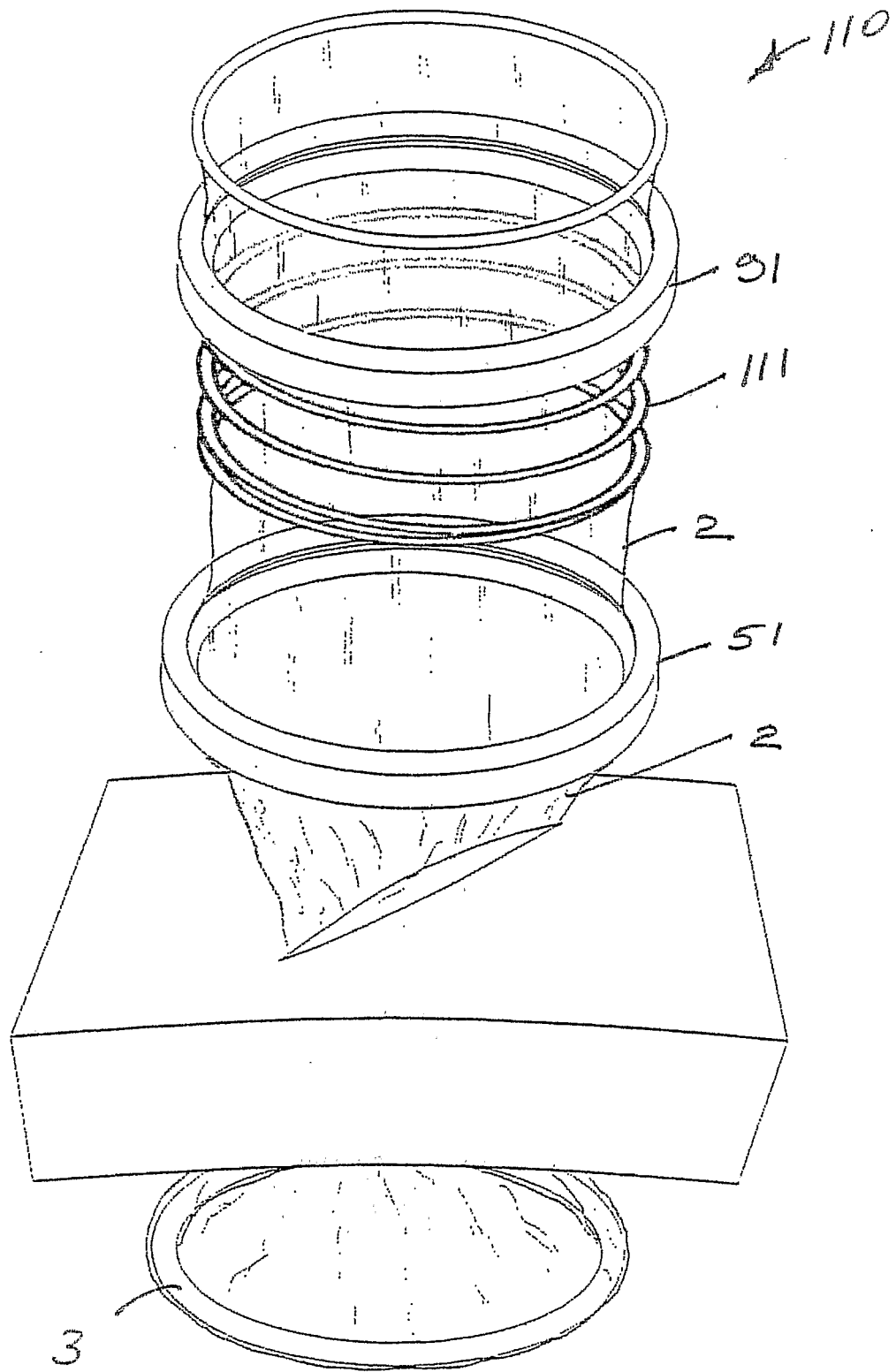


Fig. 36

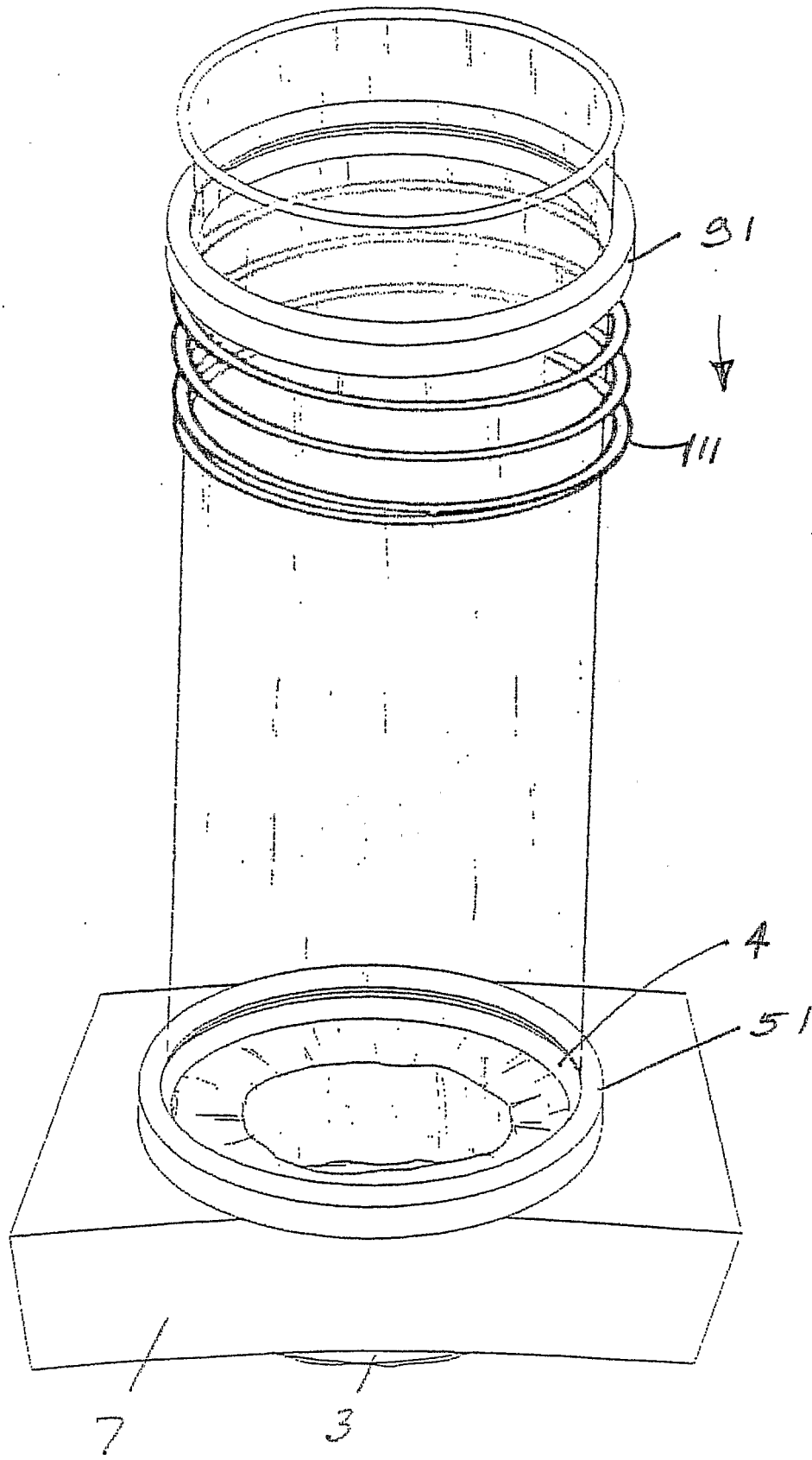


Fig. 37

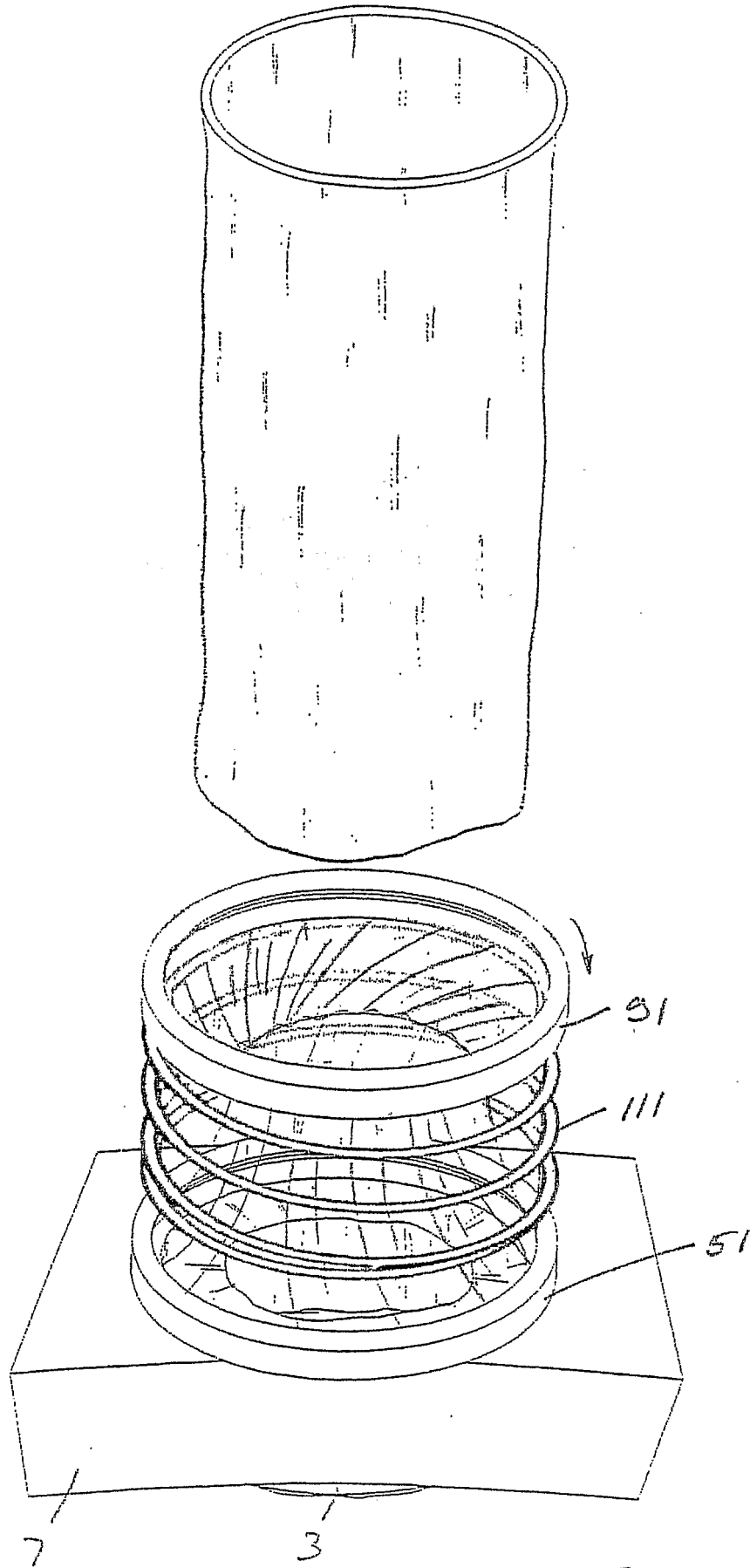


Fig. 38

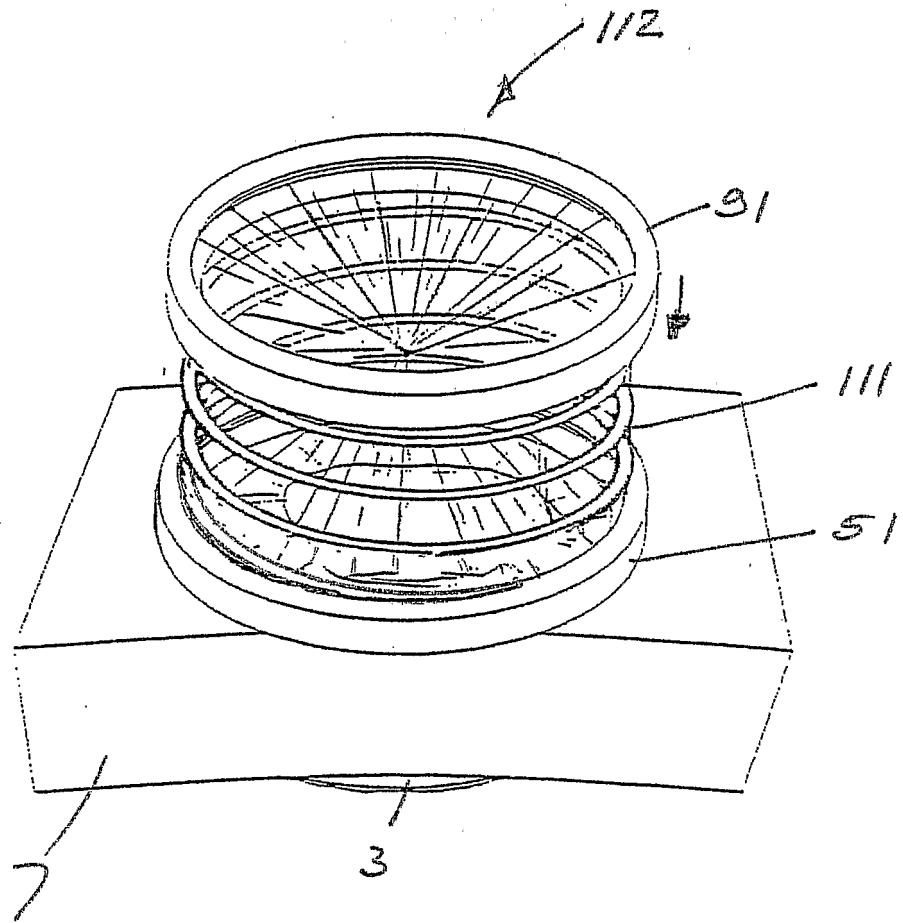


Fig. 39

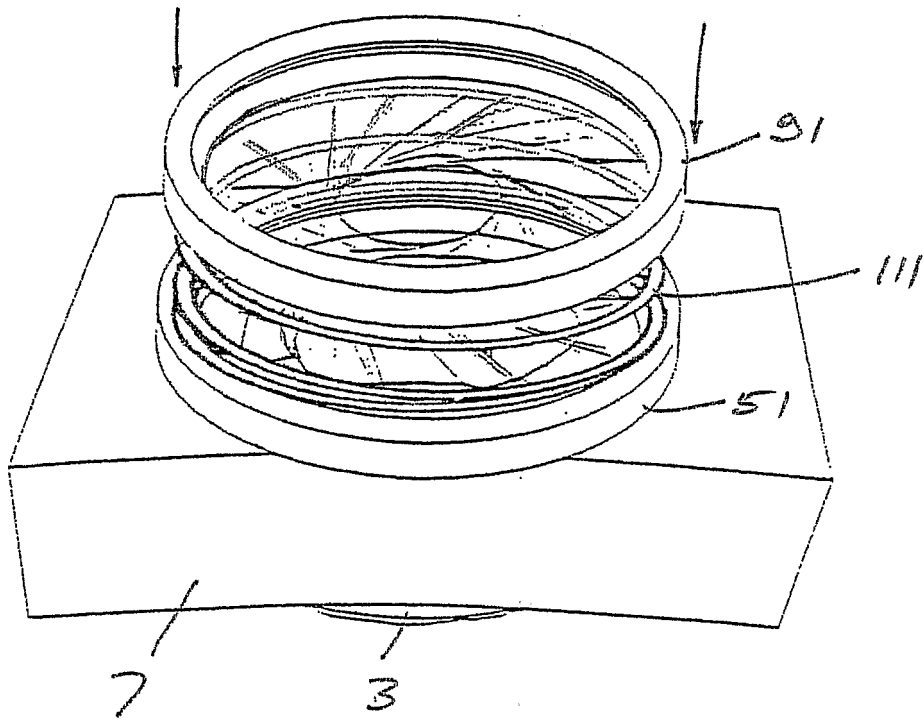


Fig. 40

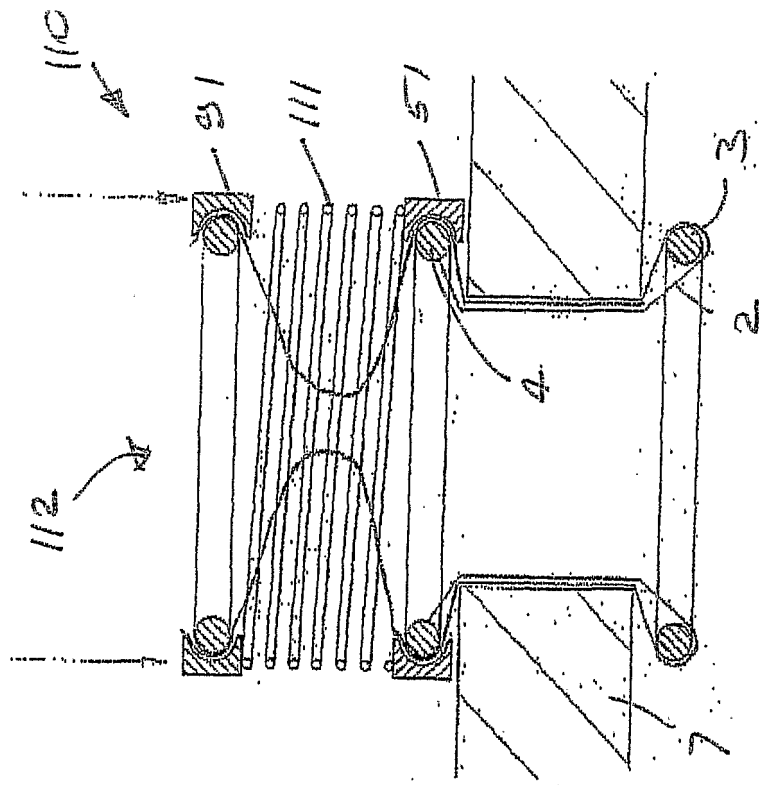


Fig. 41(b)

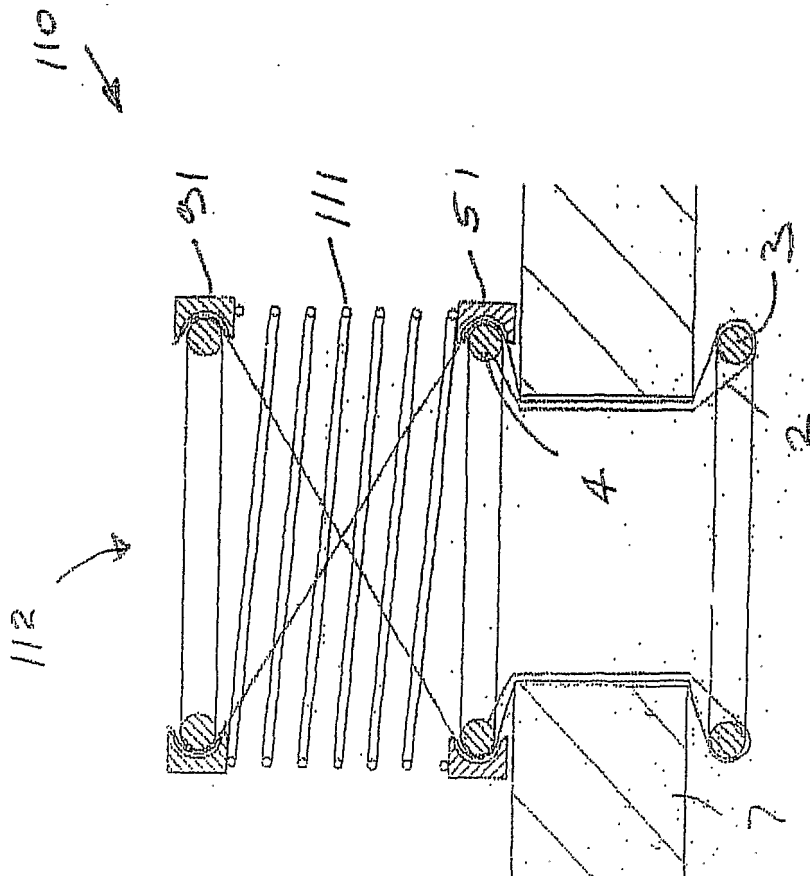


Fig. 41(a)

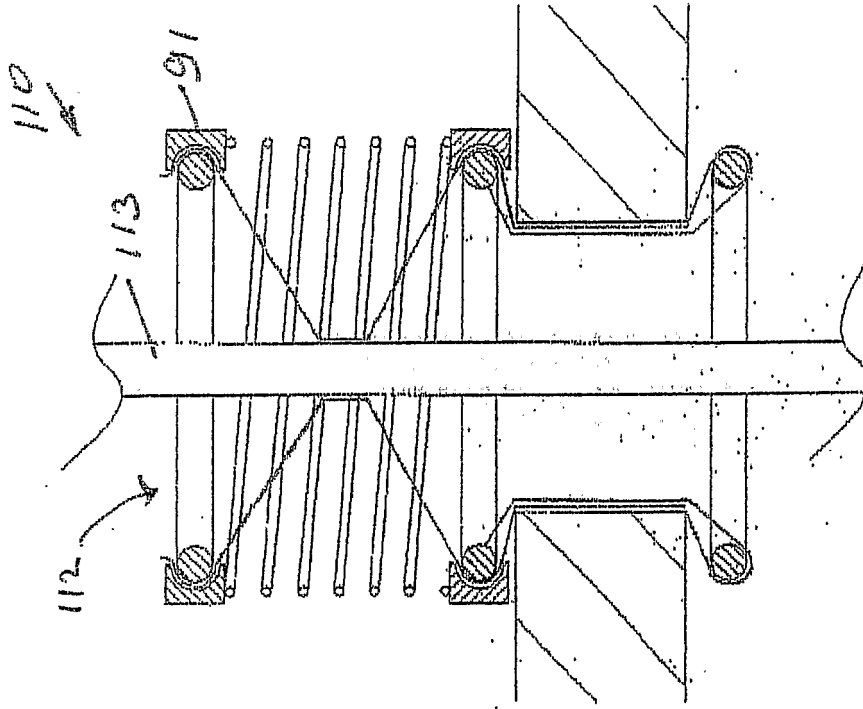


Fig. 41(e)

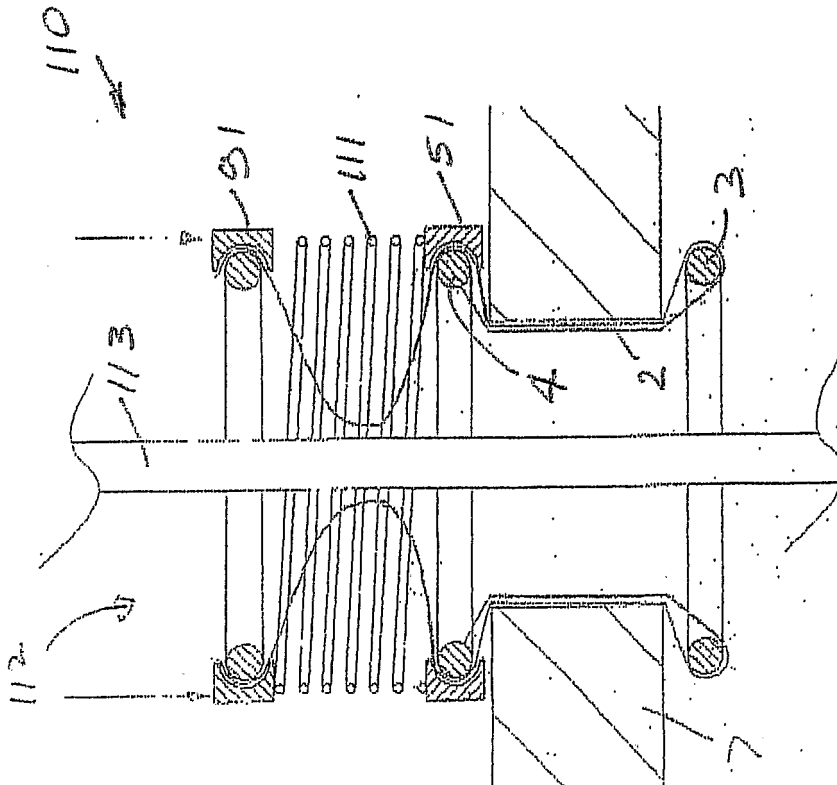
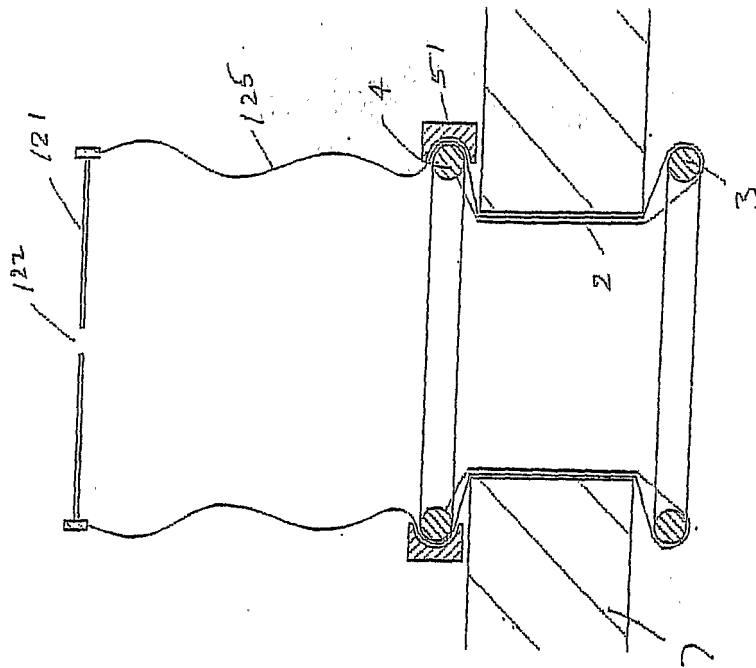
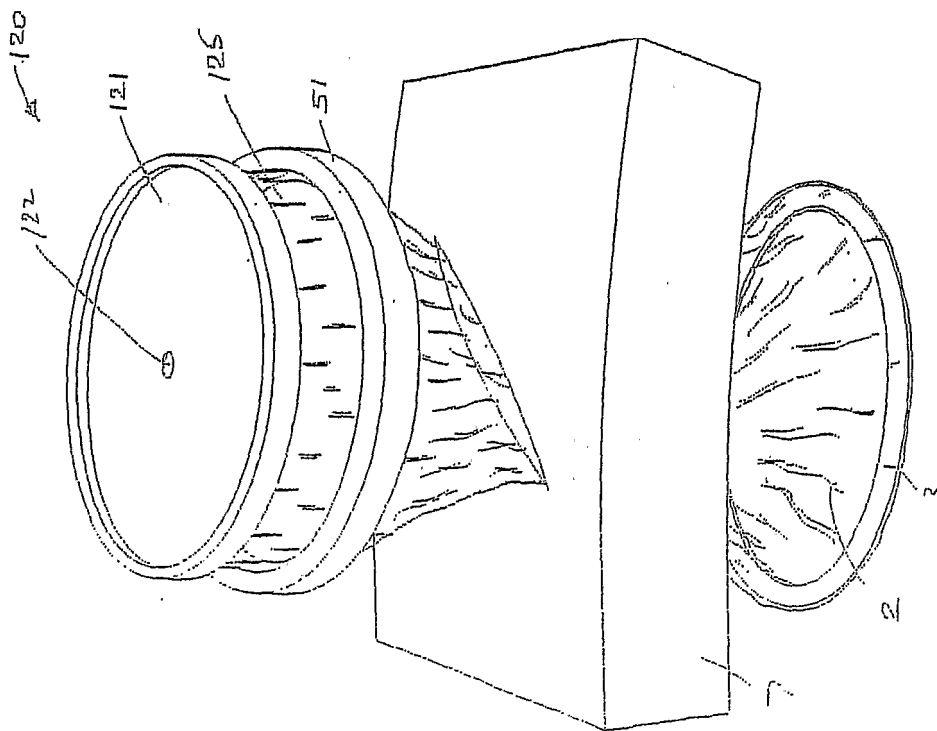


Fig. 41(c)



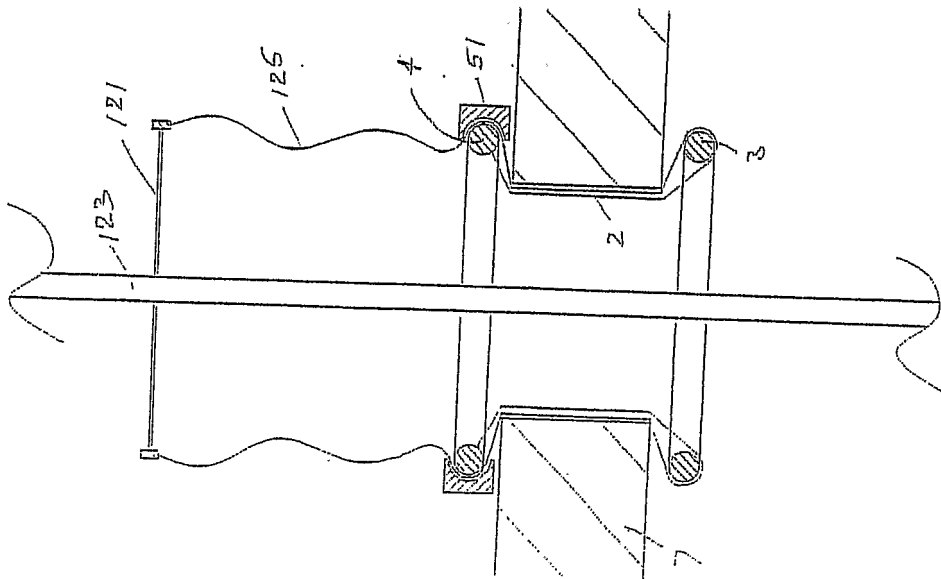


Fig. 44

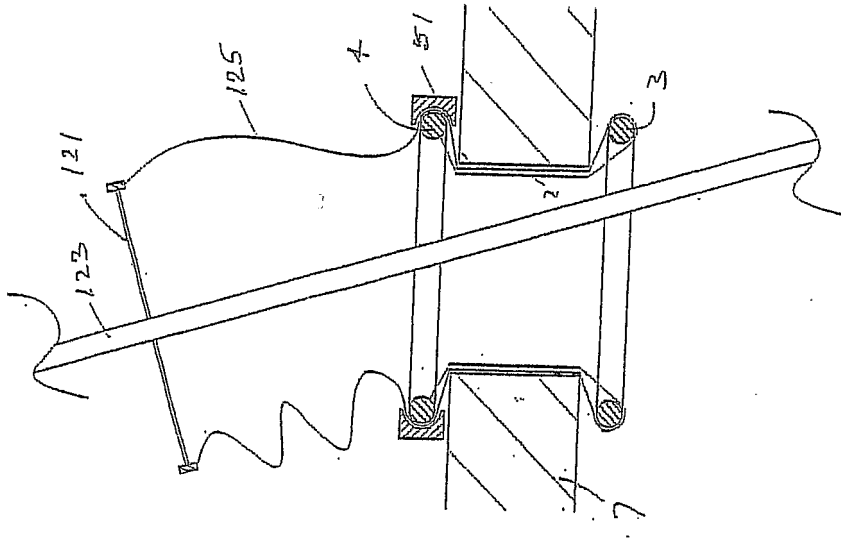


Fig. 45

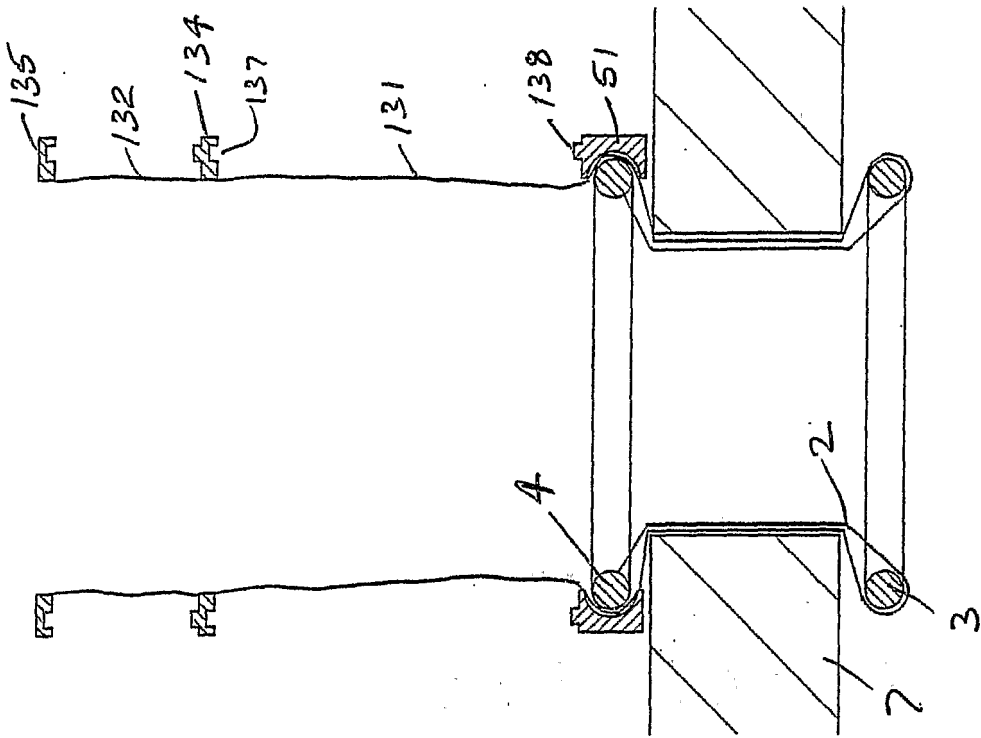


Fig. 47

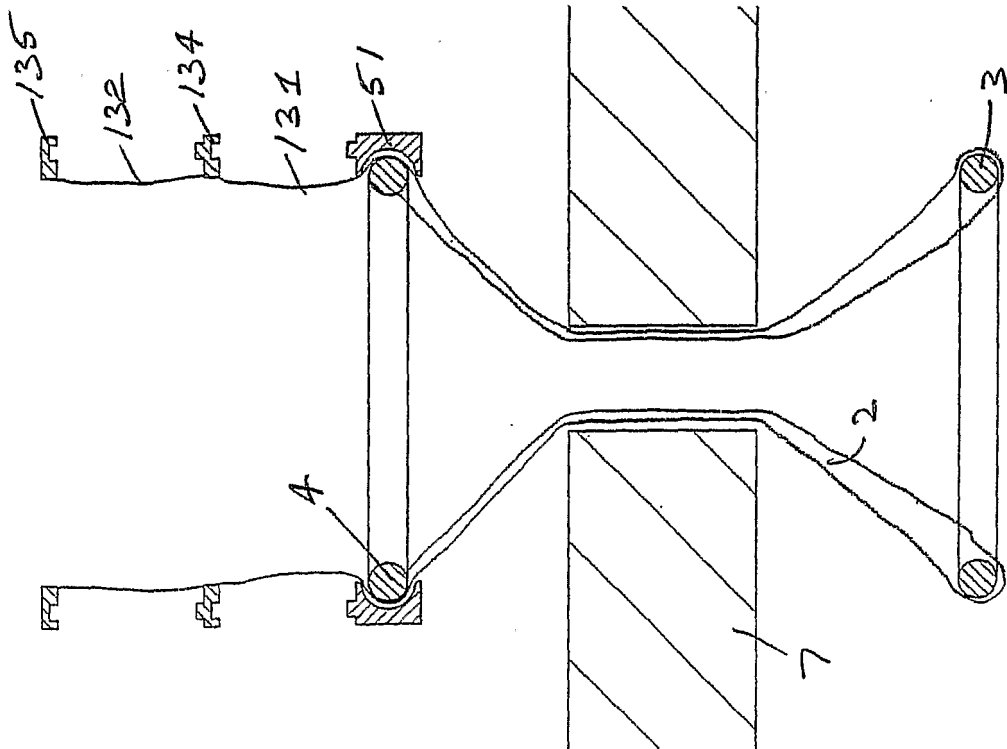


Fig. 46

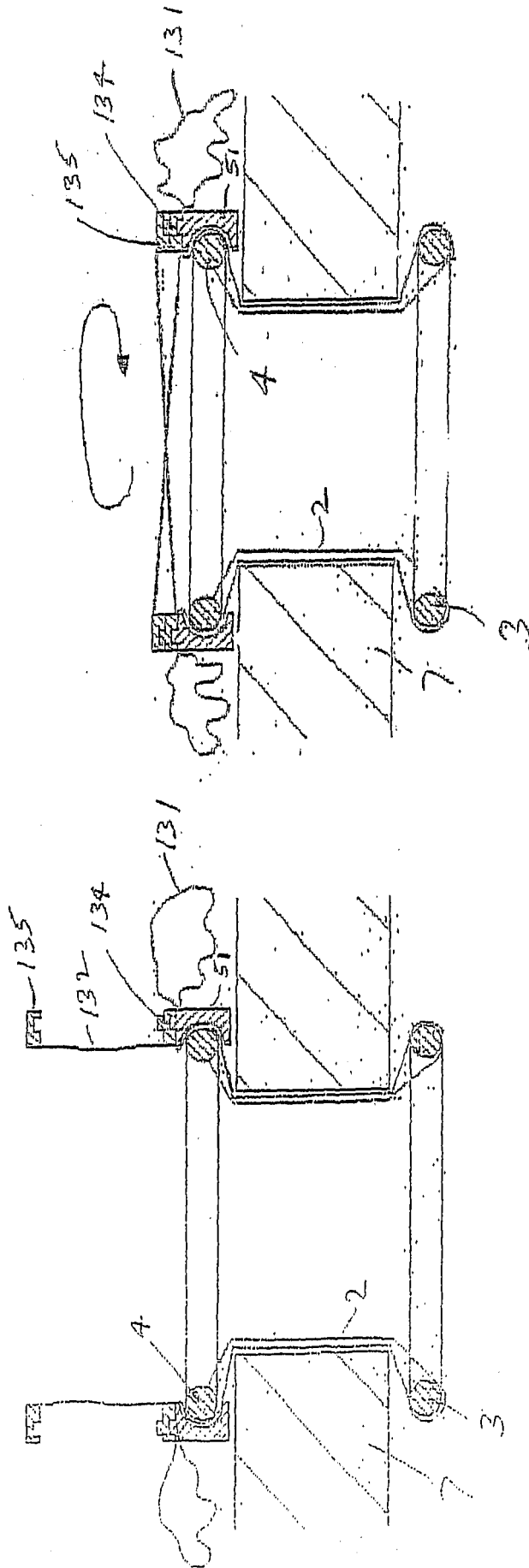


Fig. 4.8

Fig. 4.9

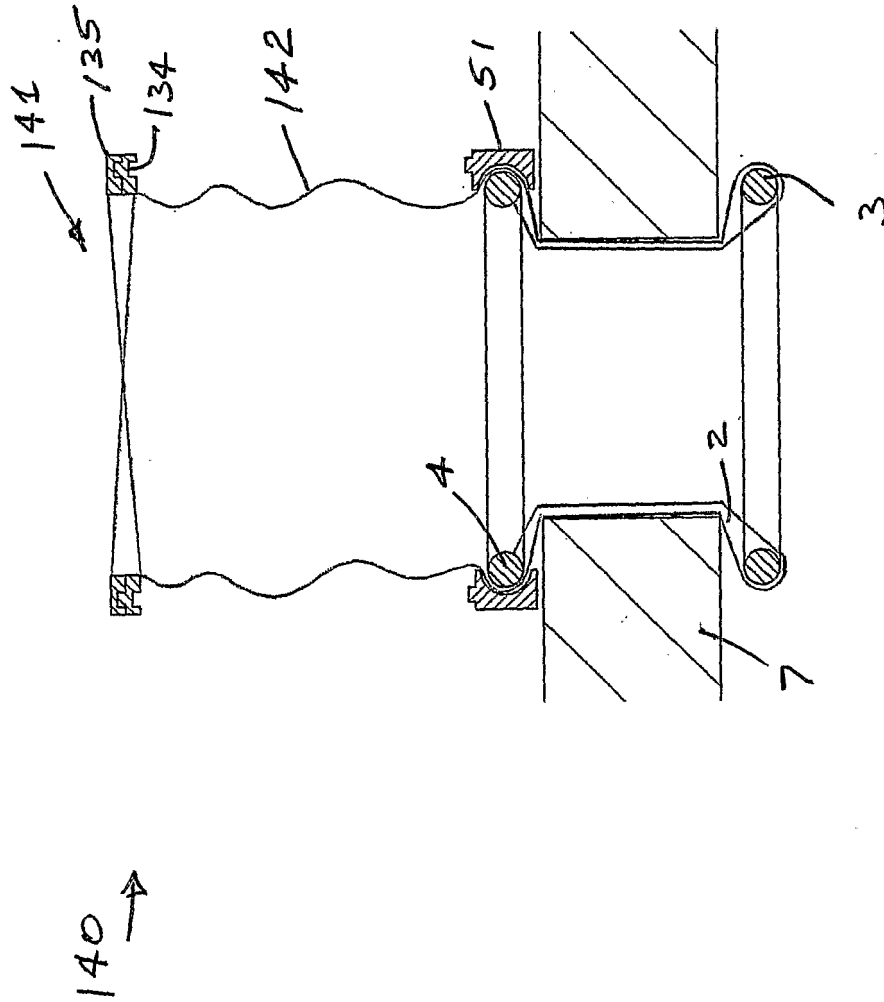


Fig. 49(a)

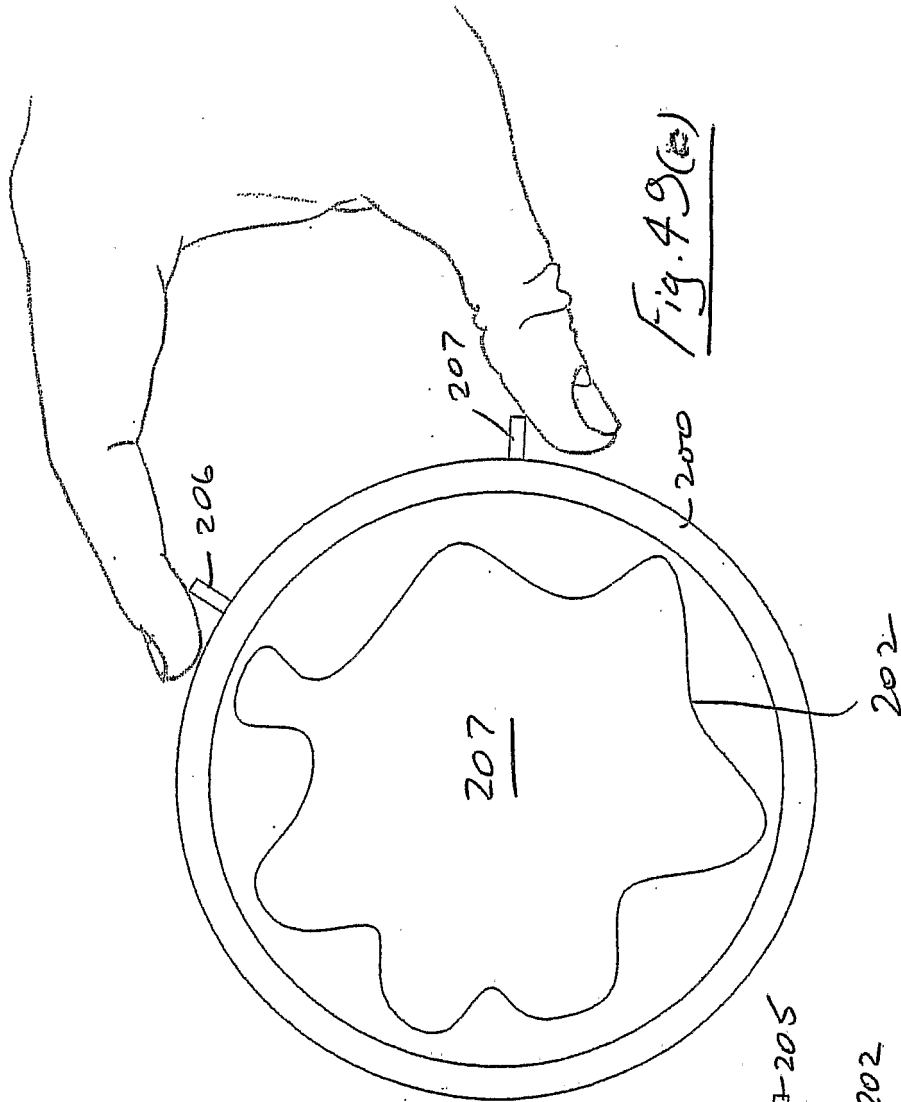


Fig. 49(a)

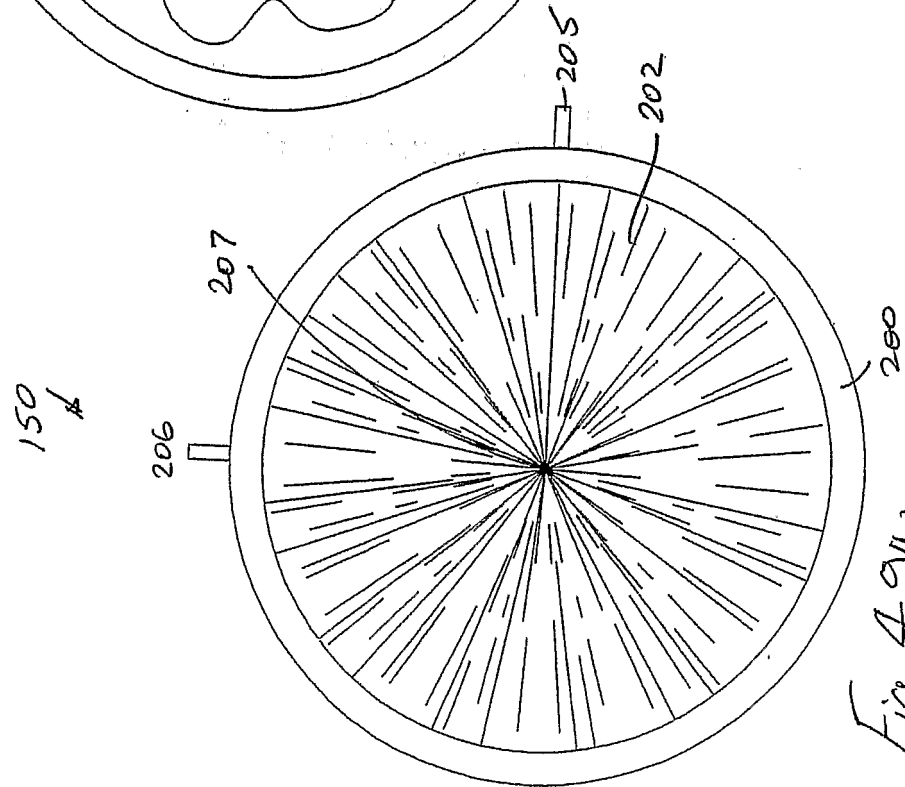
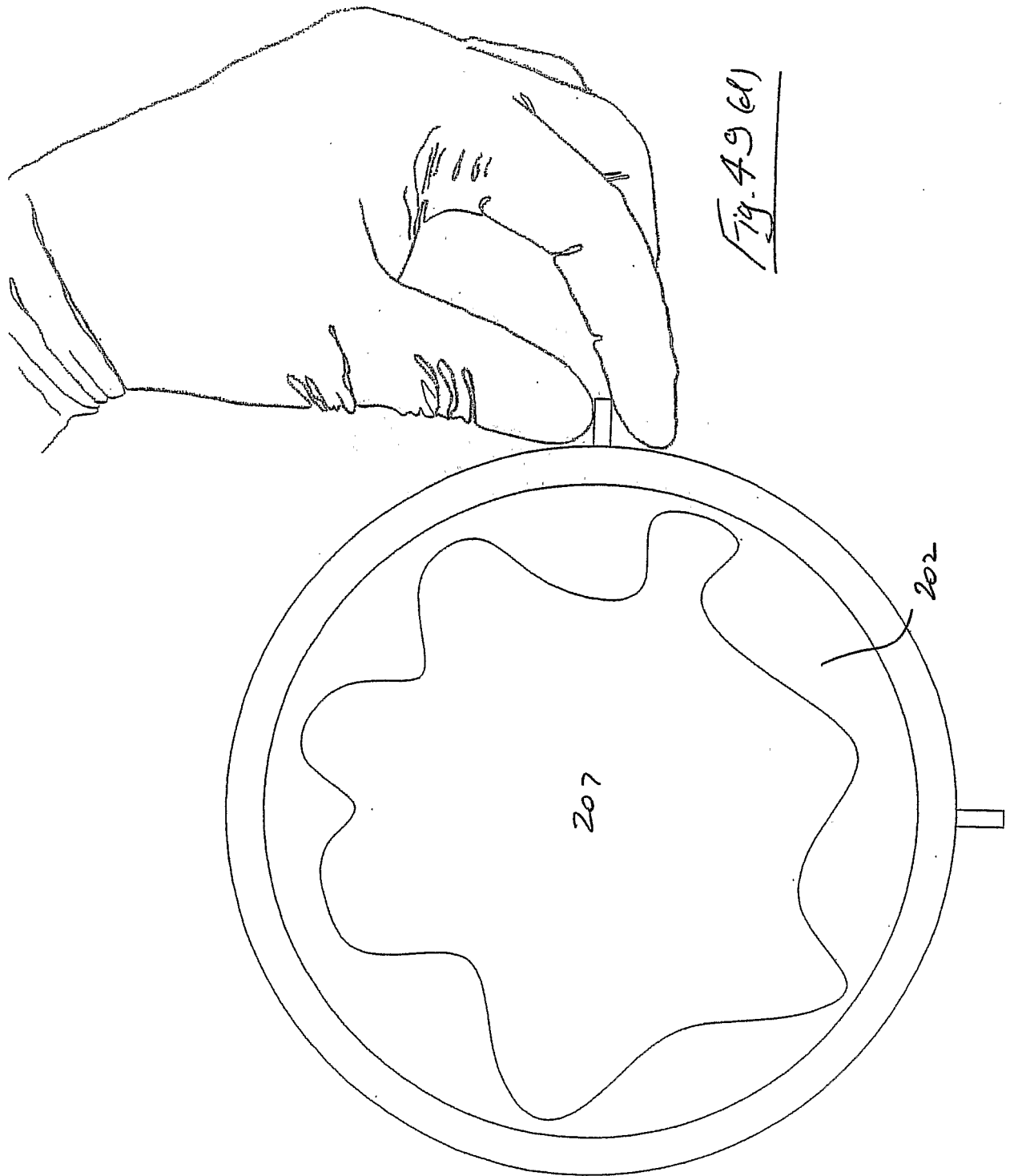


Fig. 49(b)



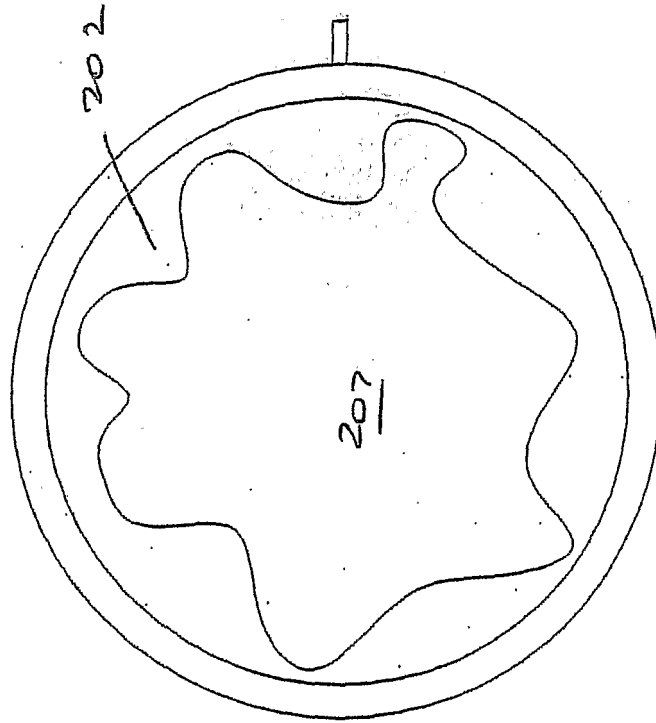


Fig. 49(b)

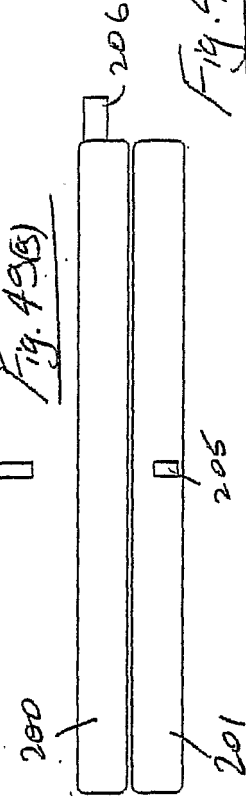


Fig. 49(h)

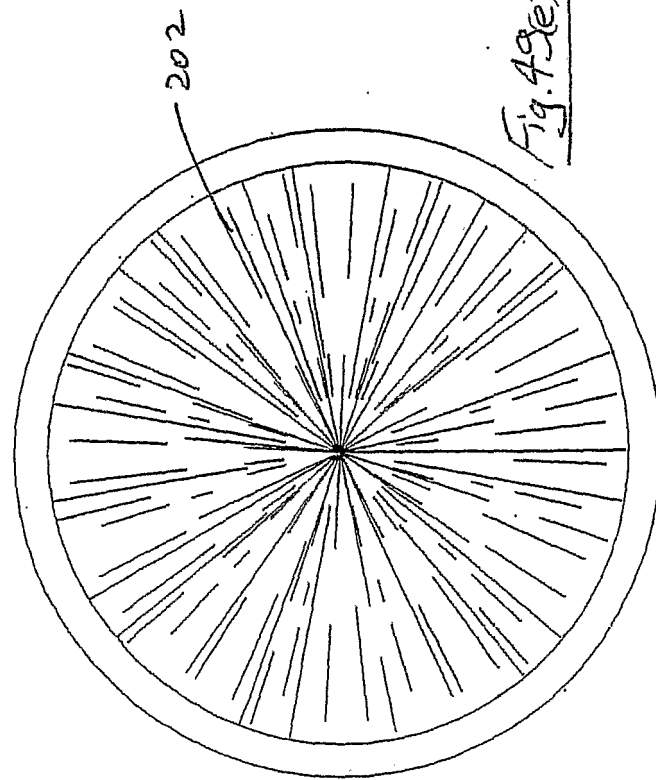


Fig. 49(e)

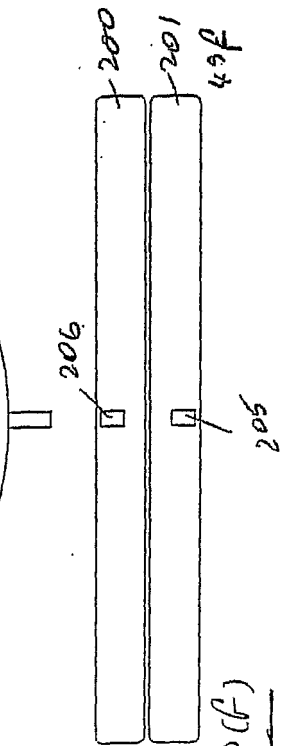


Fig. 49(f)

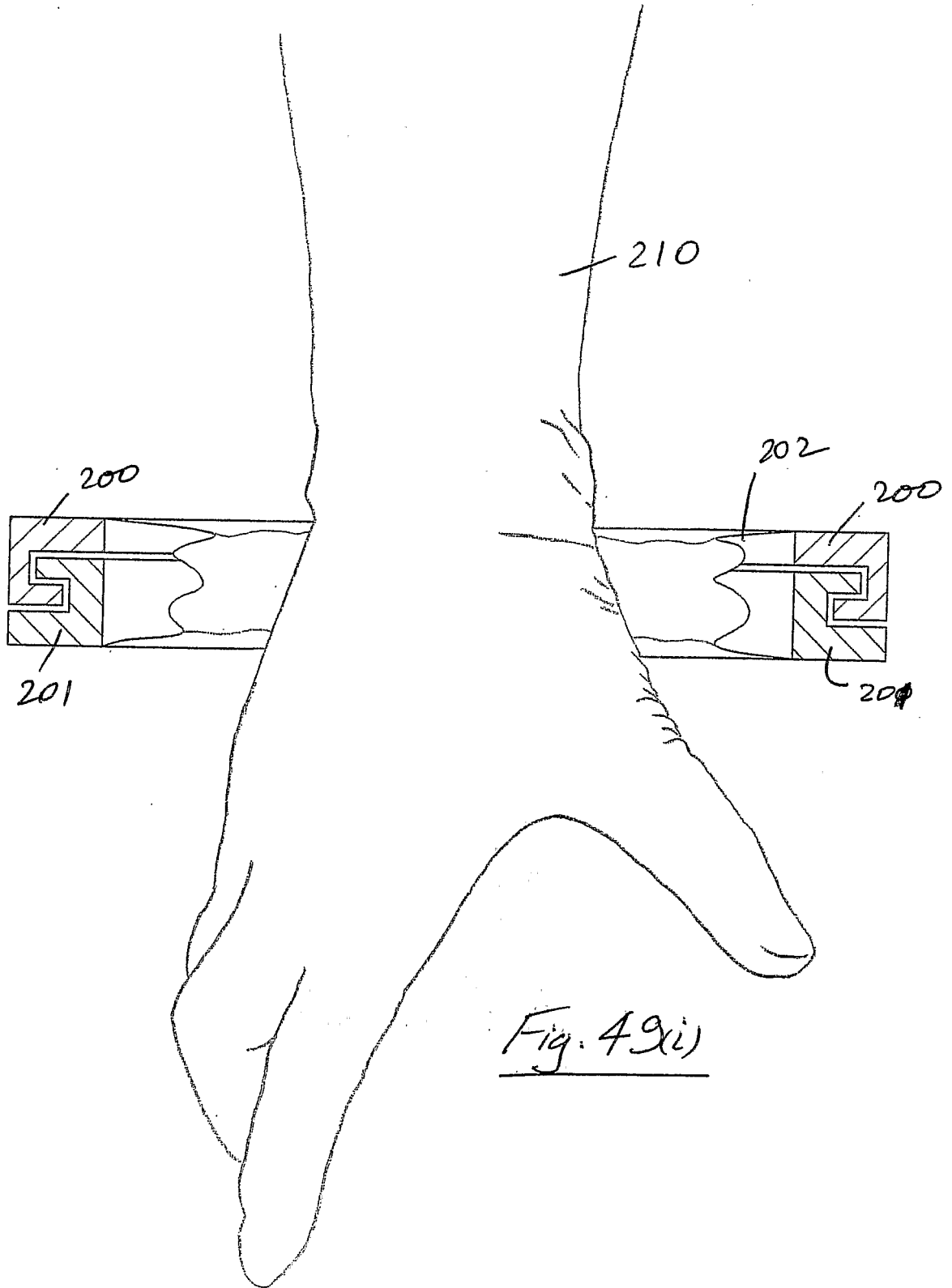


Fig. 49(i)

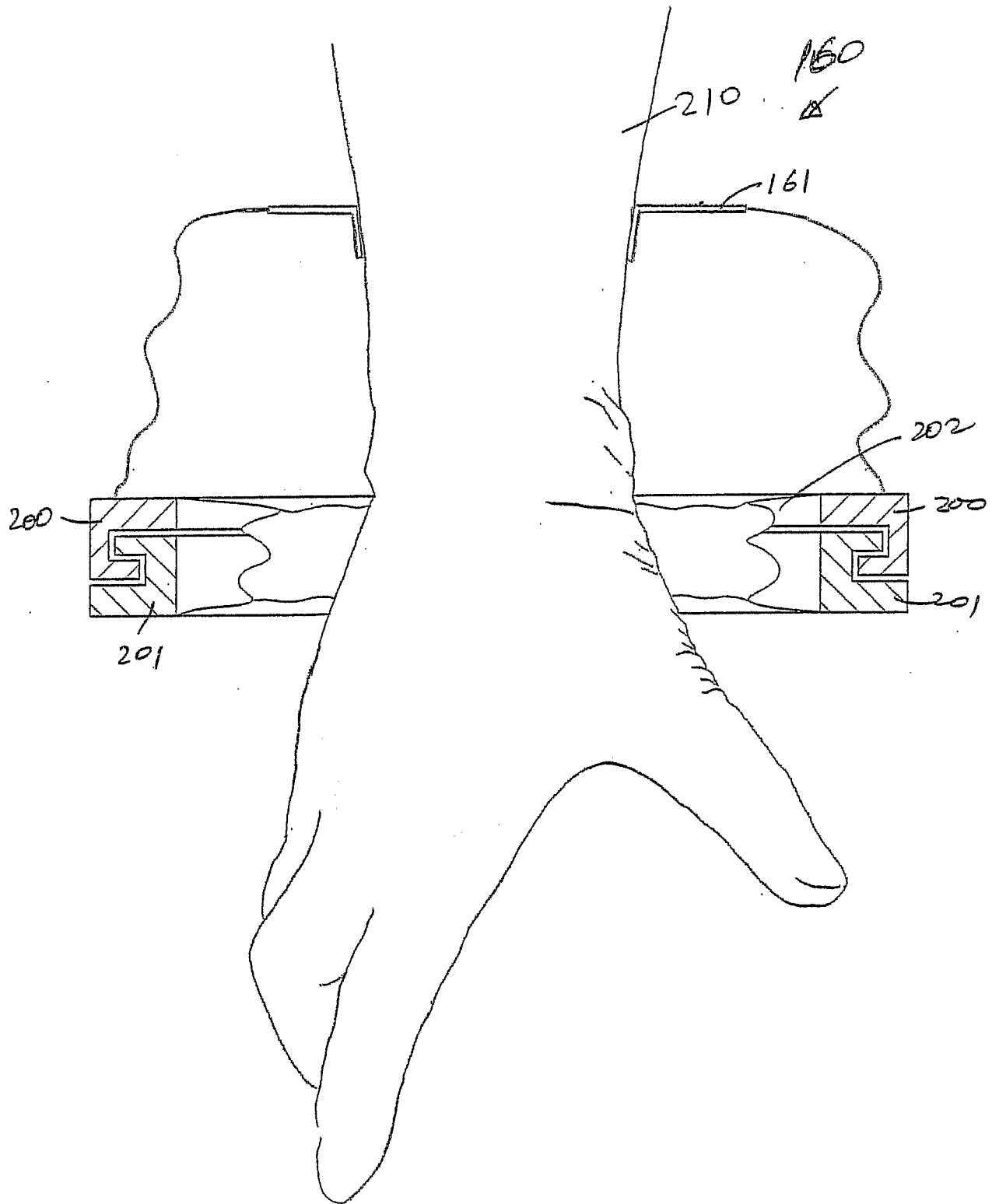


Fig. 49(ij)

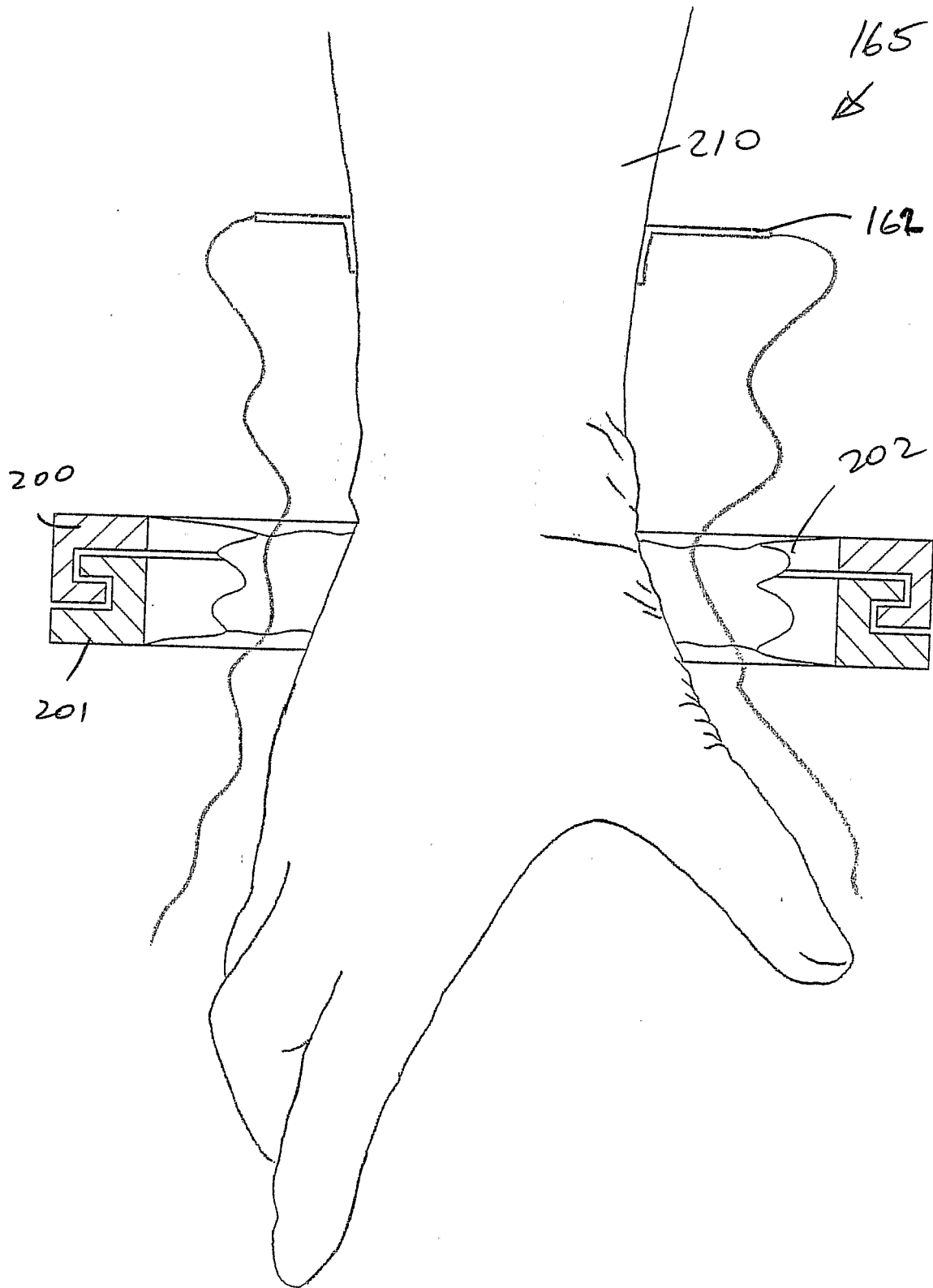


Fig. 49(k)

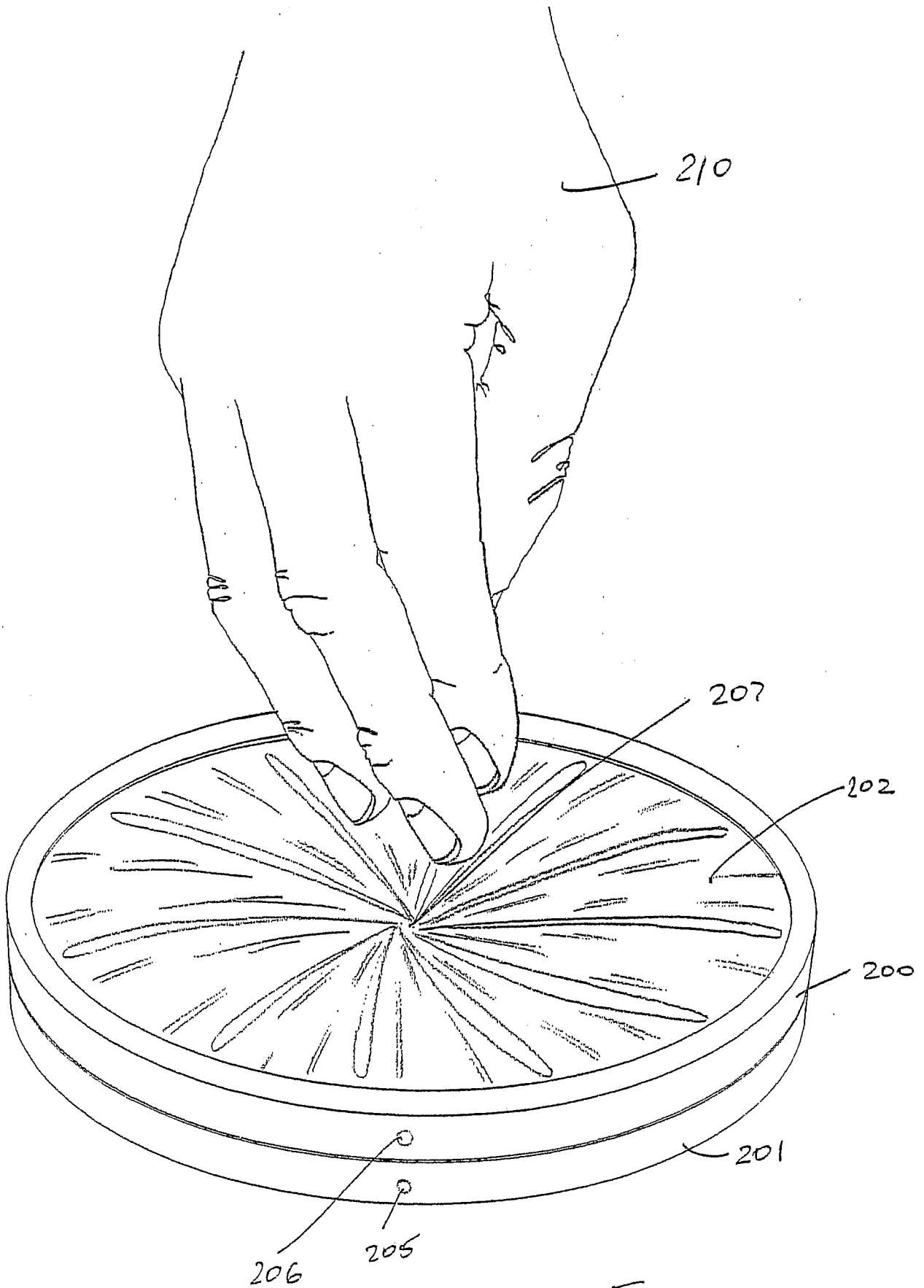


Fig. 50

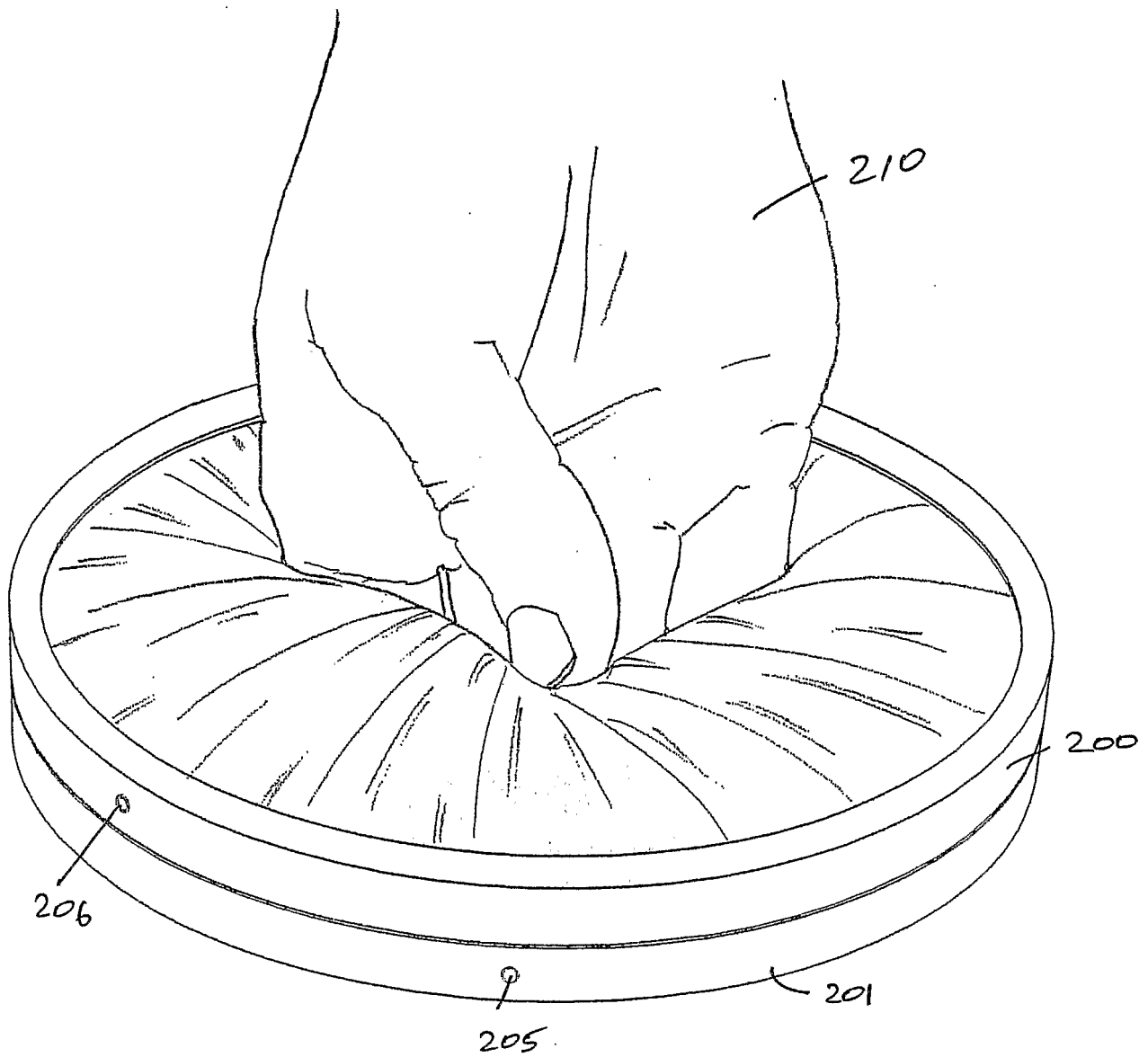


Fig. 51

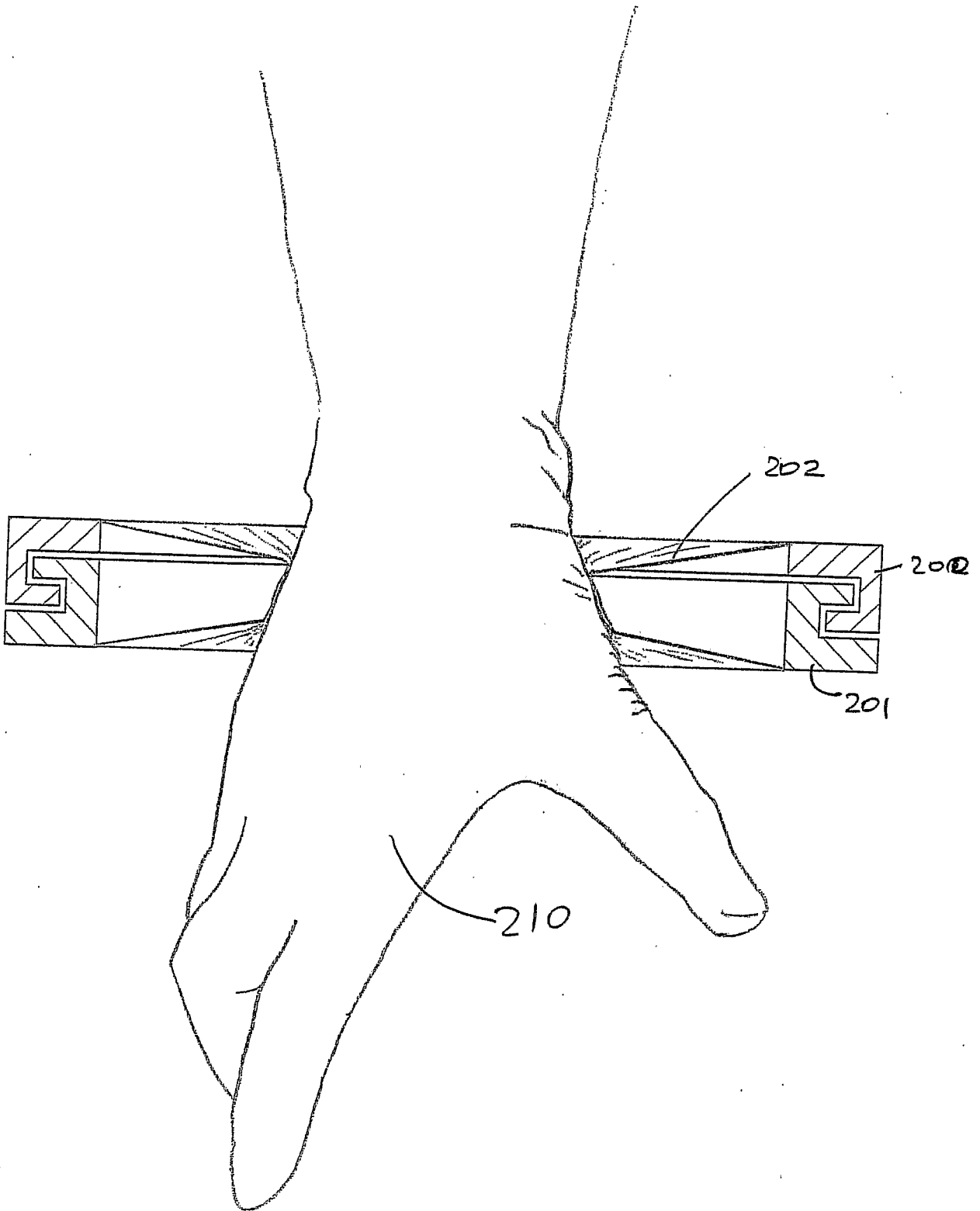


Fig. 52

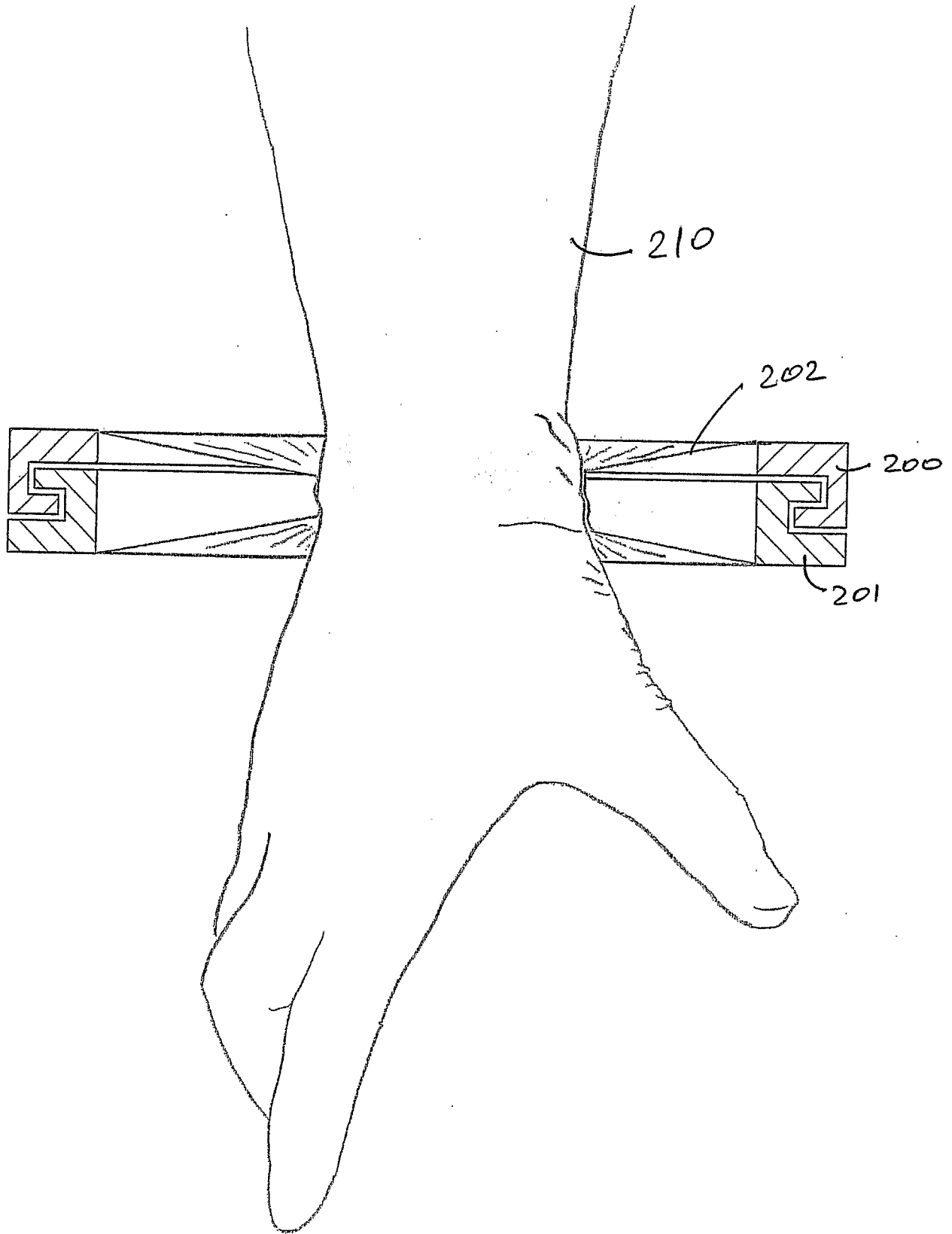


Fig. 53

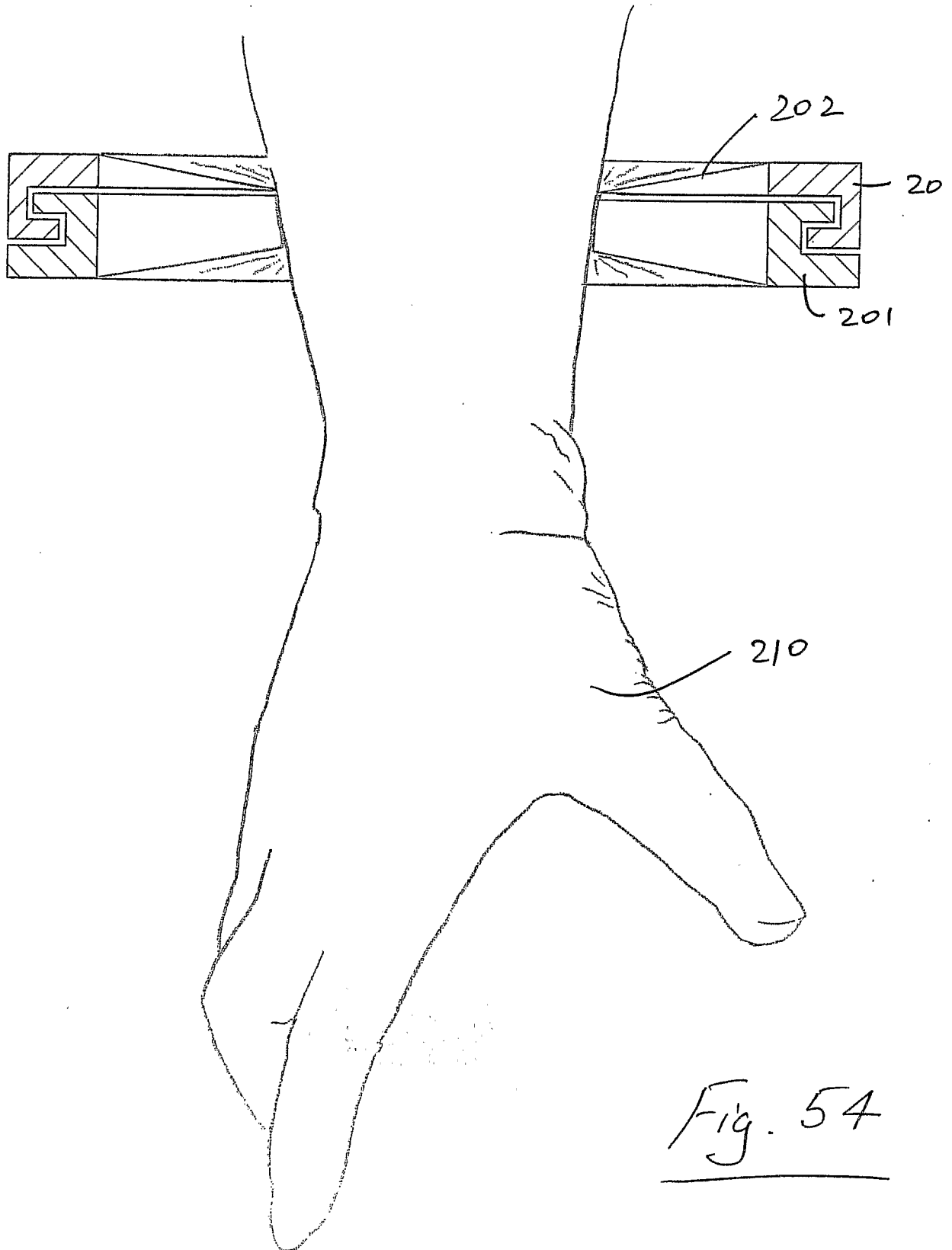


Fig. 54

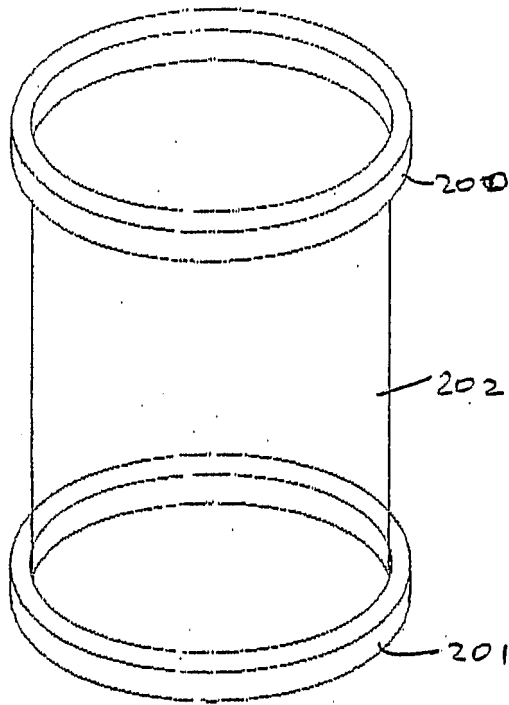


Fig. 54(a)

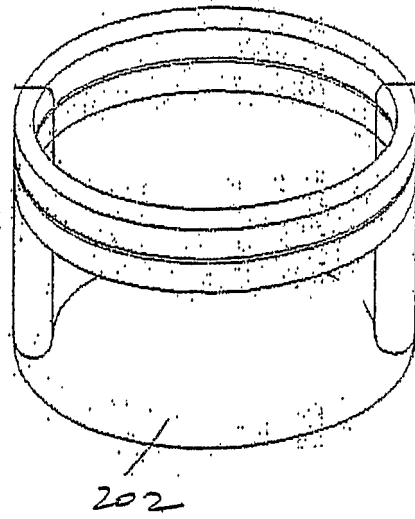


Fig. 54(b)

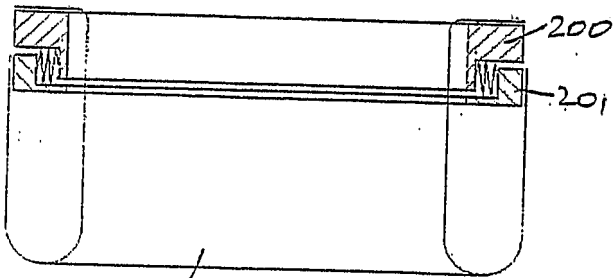


Fig. 54(c)

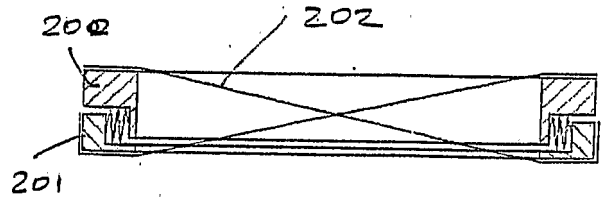


Fig. 54(d)

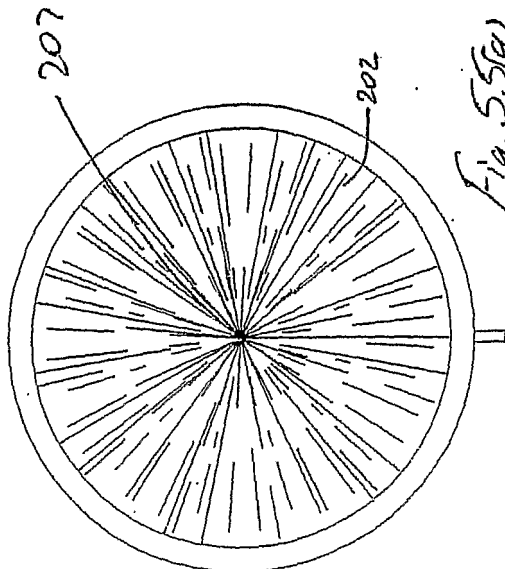


Fig. 55(a)

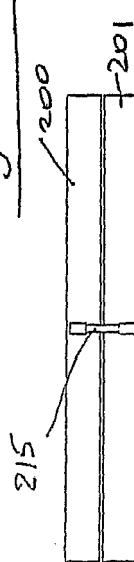


Fig. 55(b)

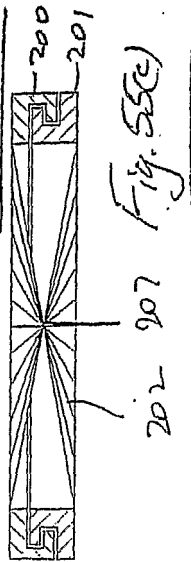


Fig. 55(c)

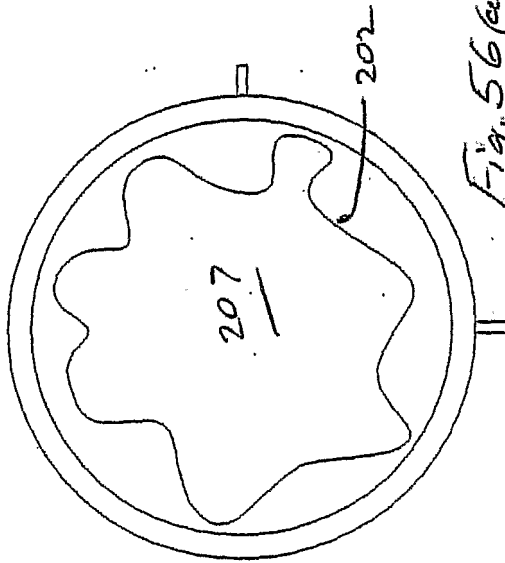


Fig. 56(a)



Fig. 56(b)

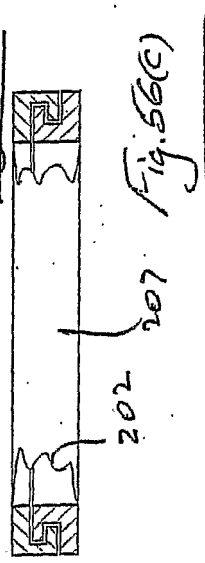


Fig. 56(c)

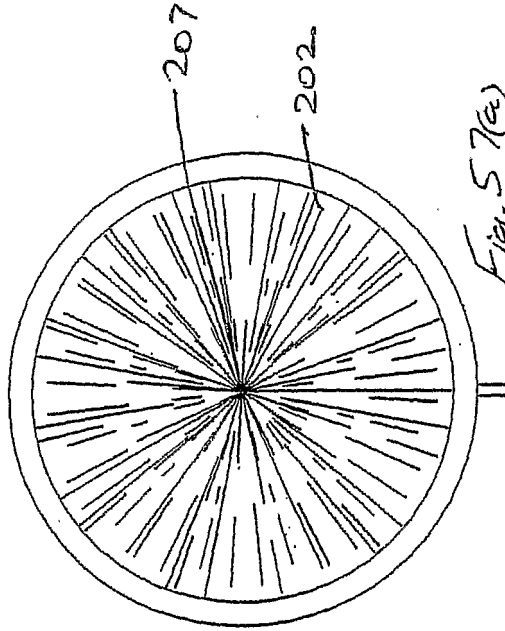


Fig. 57(a)



Fig. 57(b)

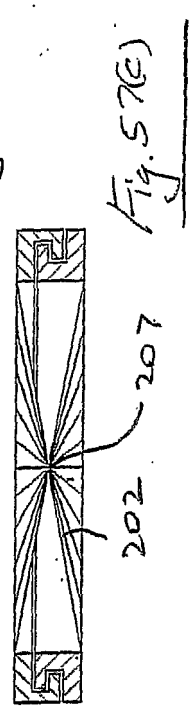


Fig. 57(c)

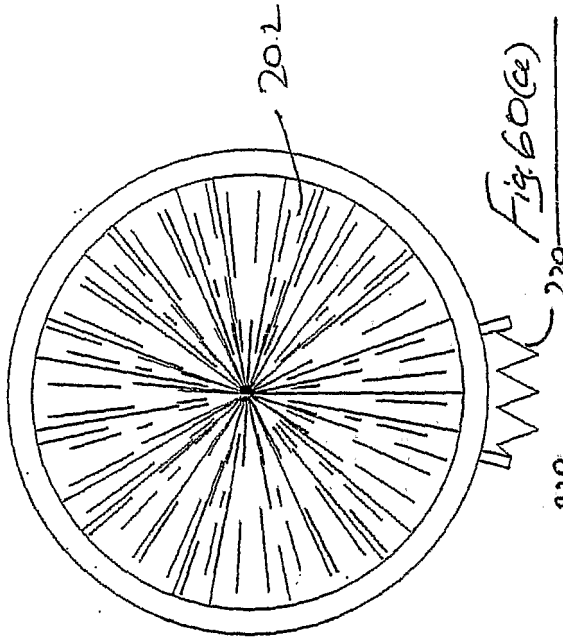


Fig. 60(a)

220



Fig. 60(b)



Fig. 60(c)

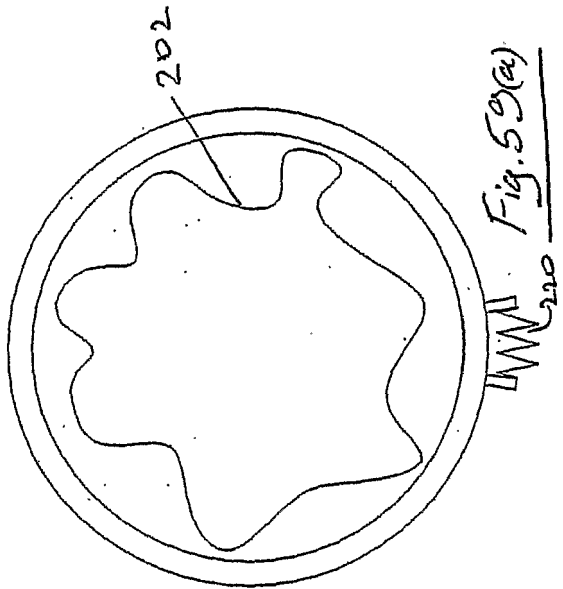


Fig. 59(a)

210



Fig. 59(b)



Fig. 59(c)

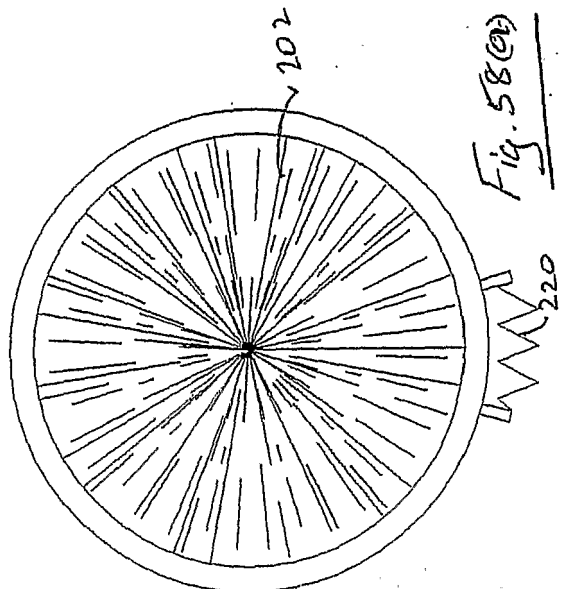


Fig. 58(a)

220



Fig. 58(b)



Fig. 58(c)

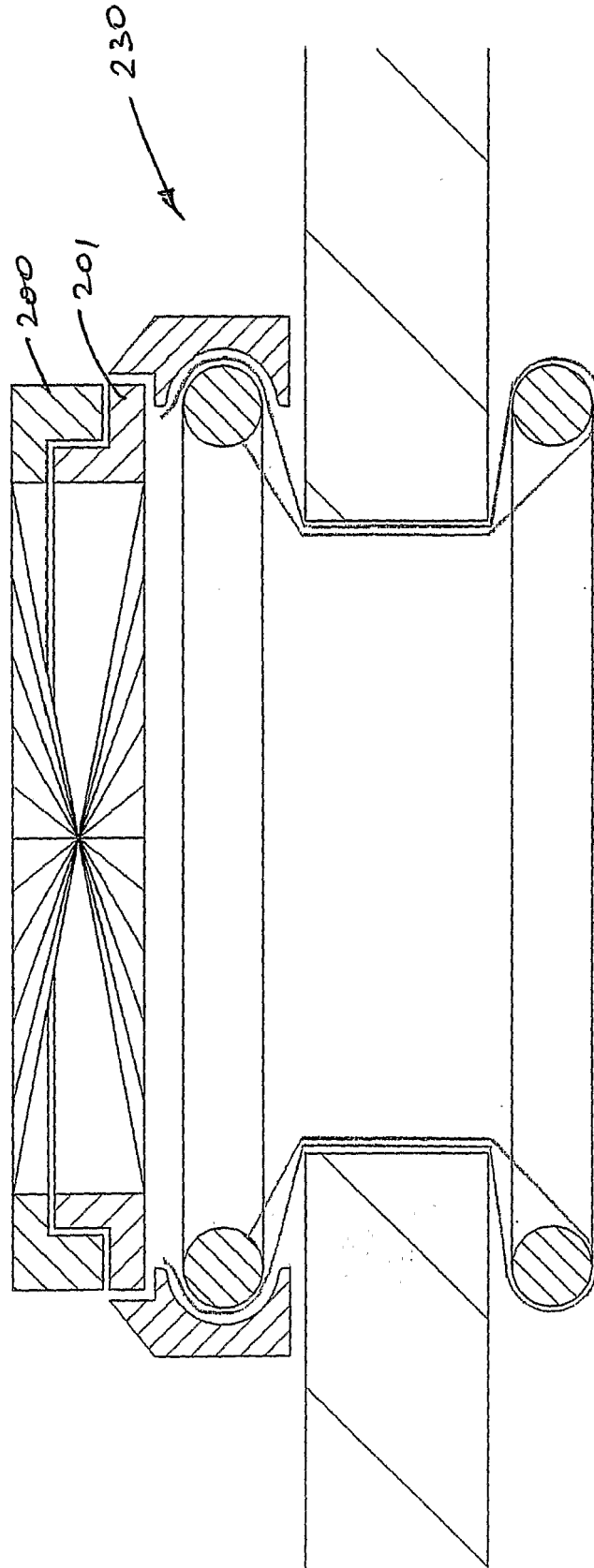


Fig. 61

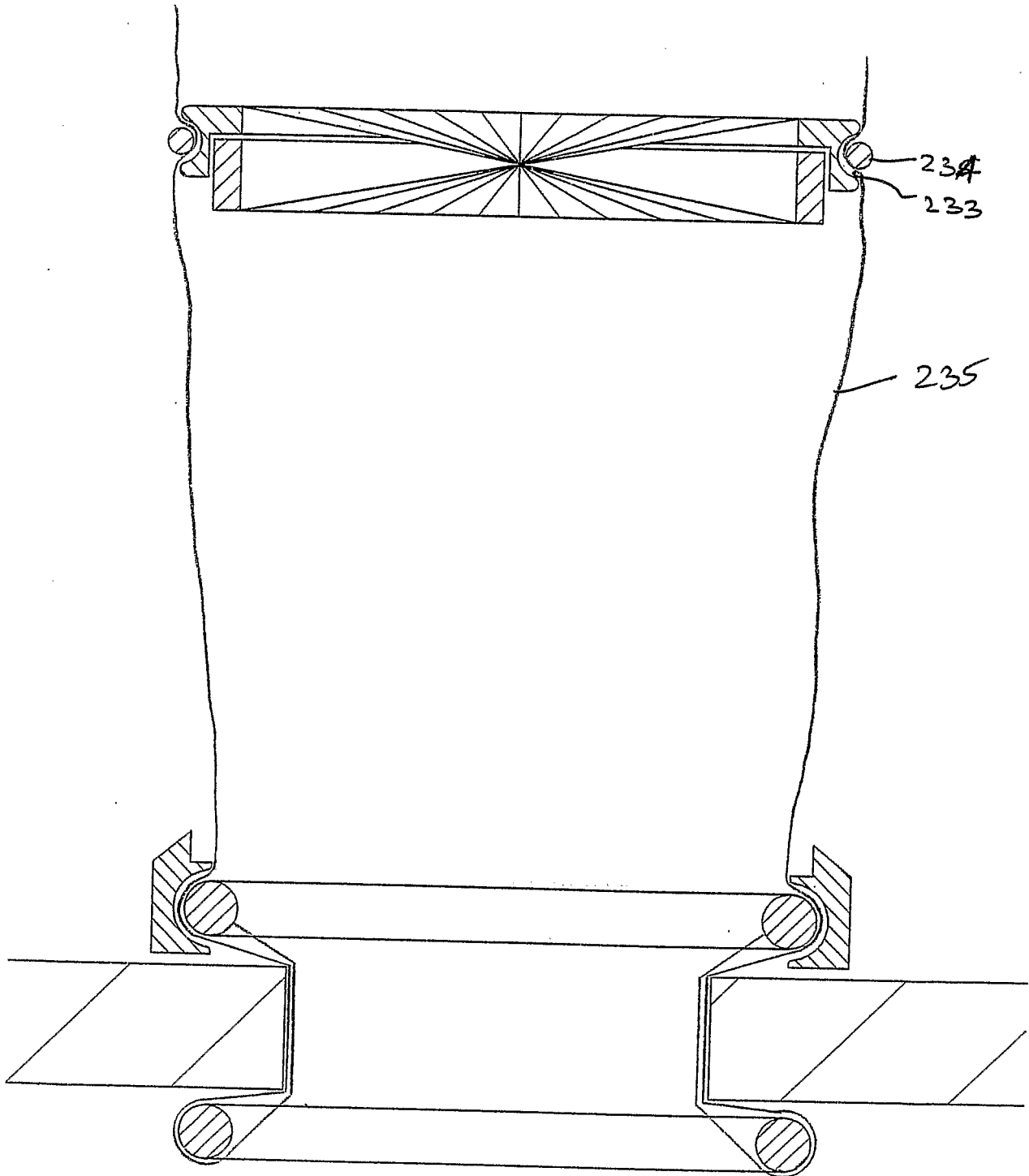


Fig. 62

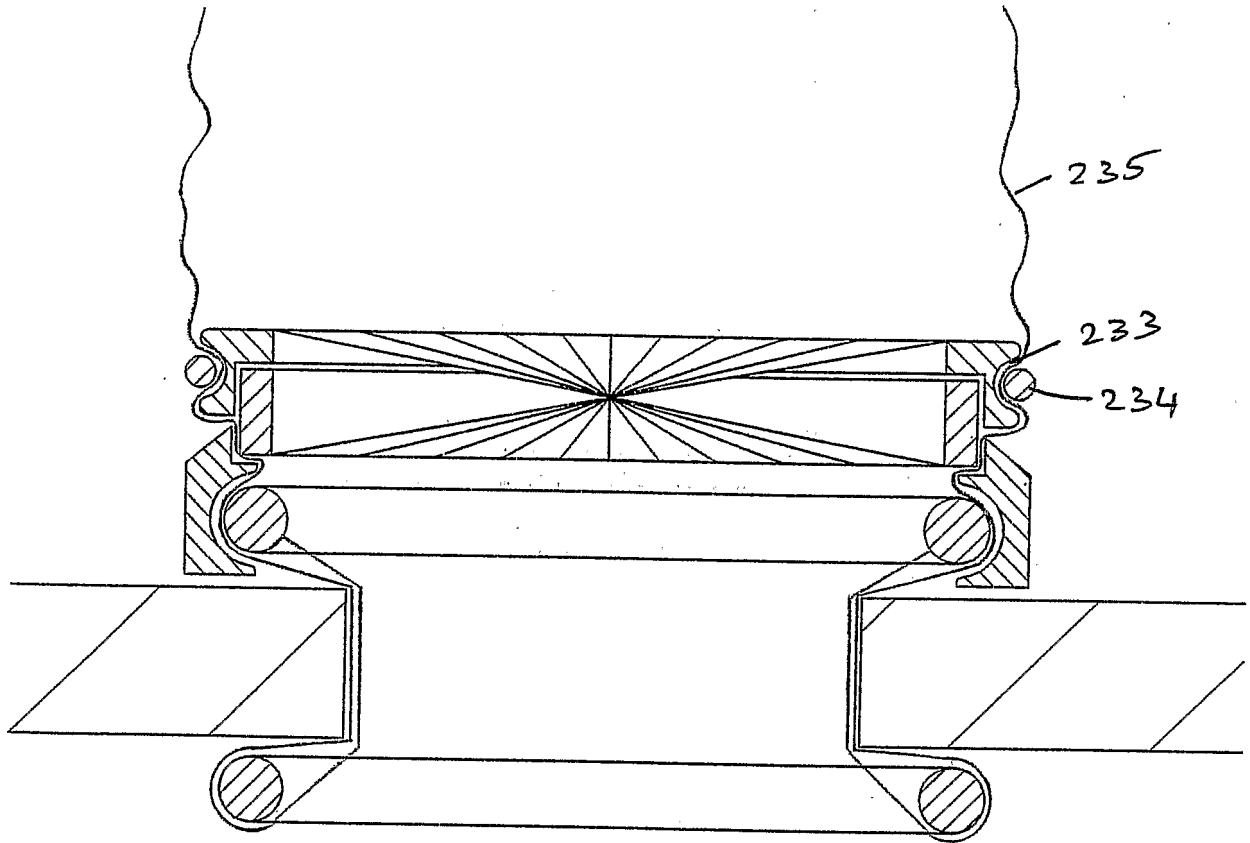


Fig. 63

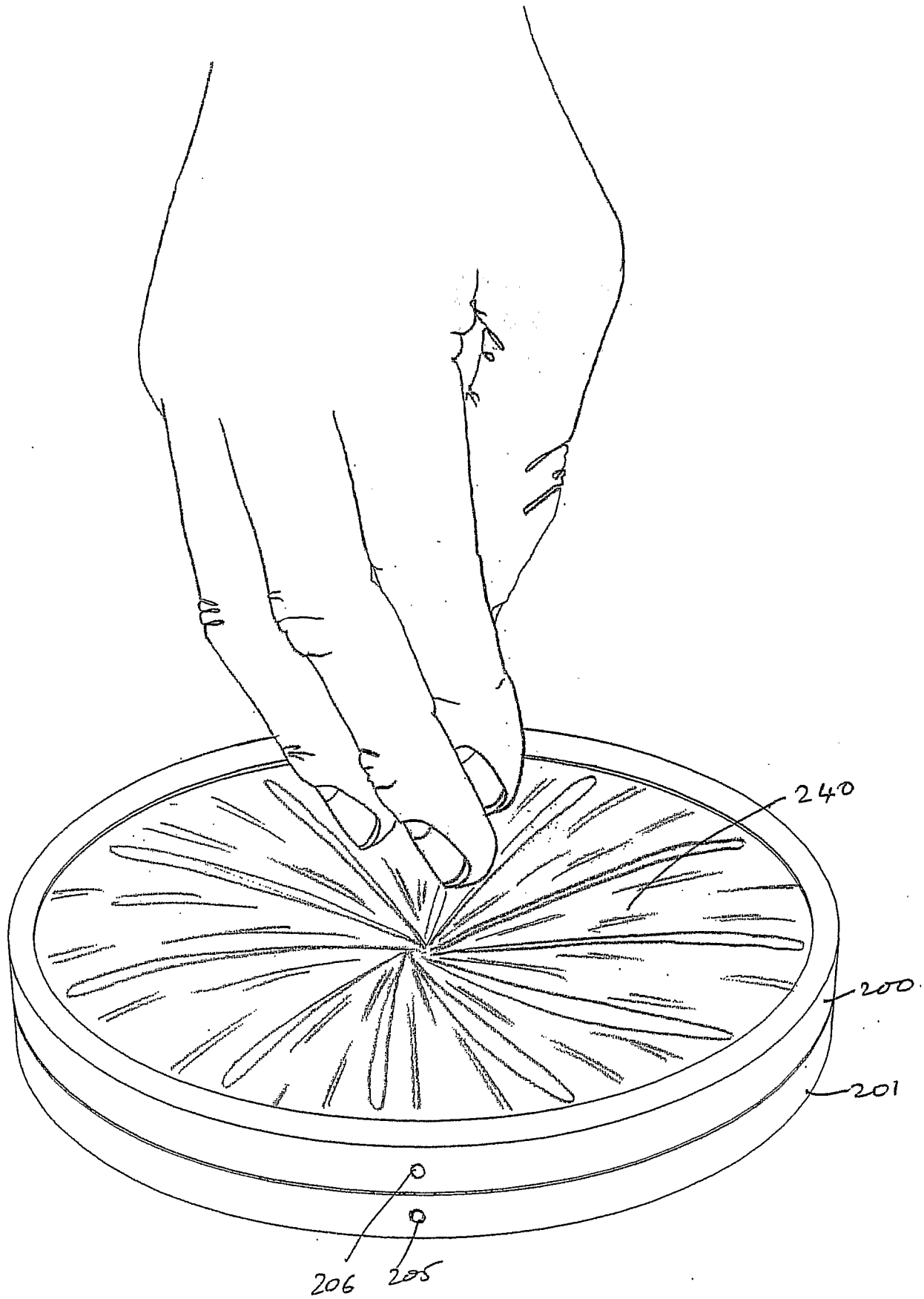


Fig. 64

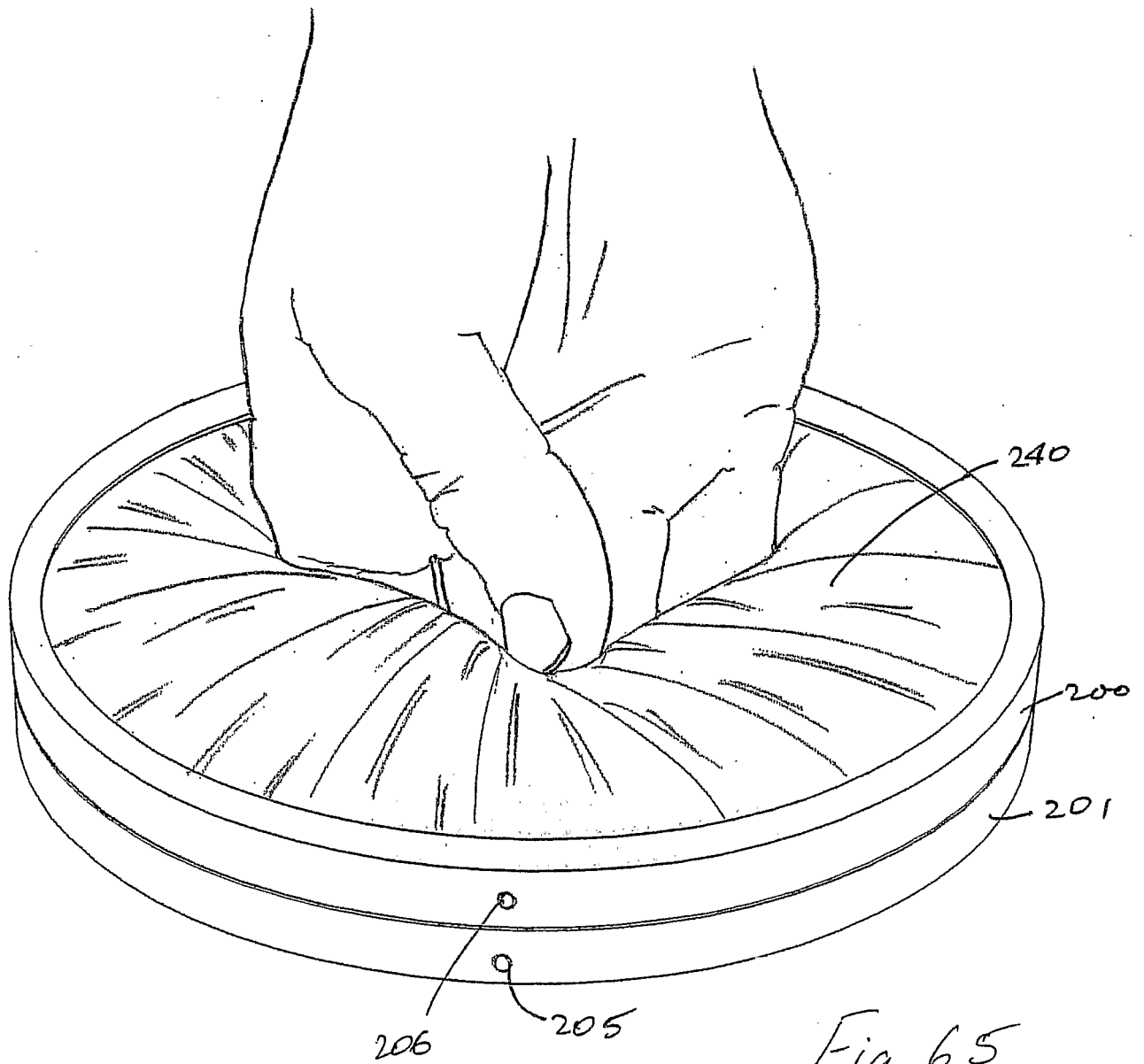


Fig. 65

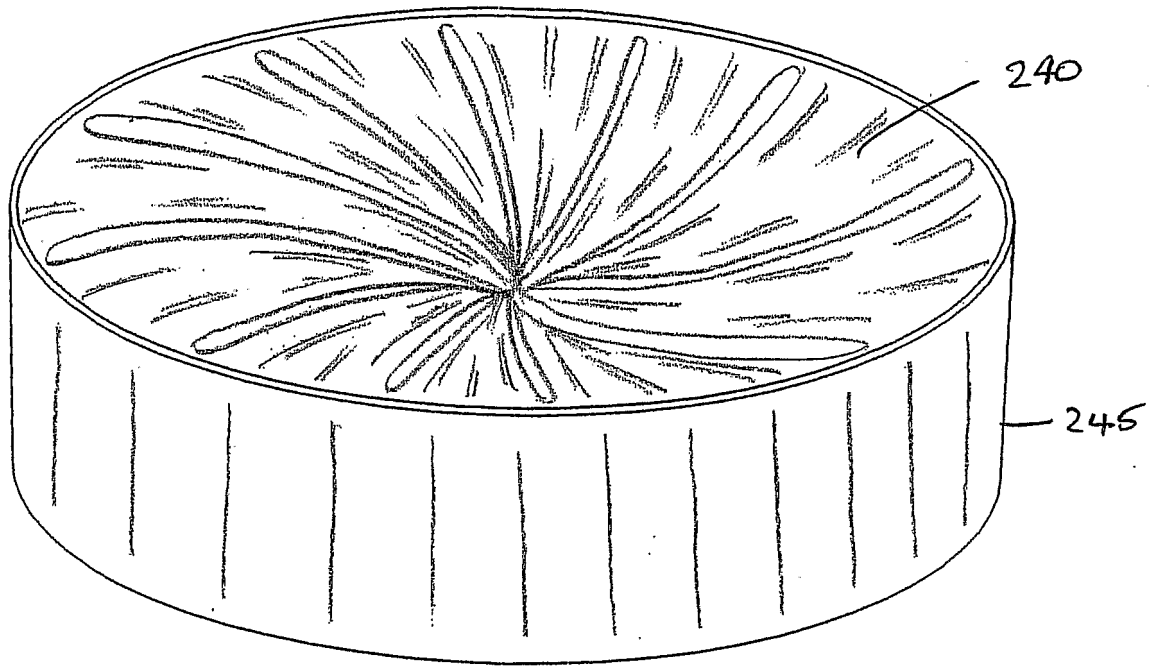


Fig. 66

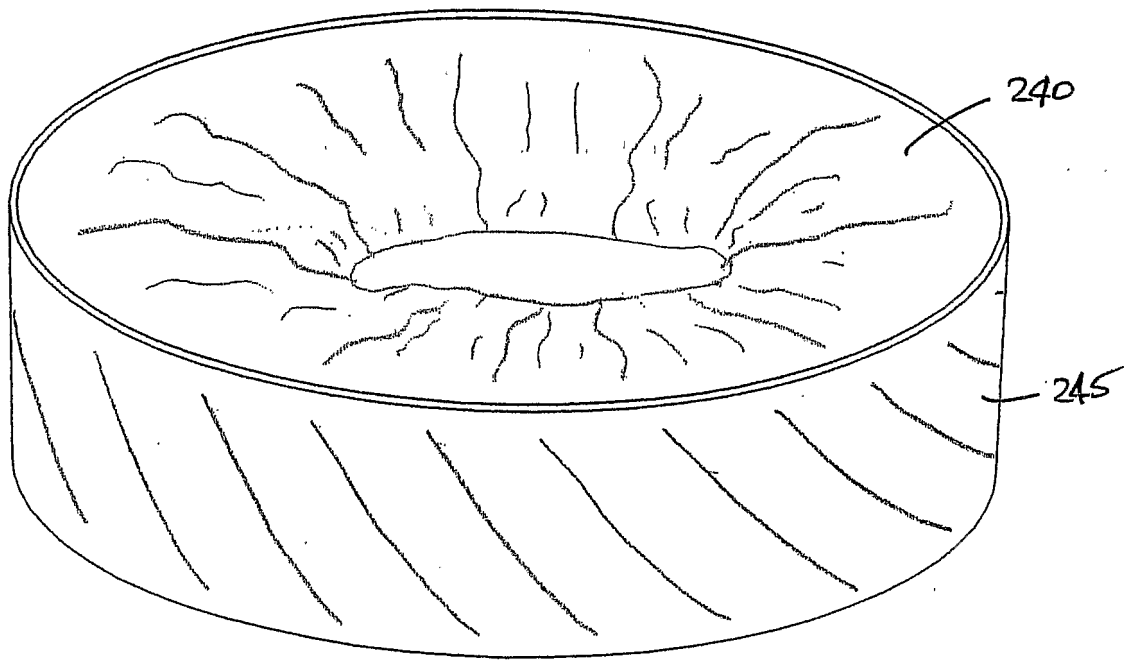


Fig. 67

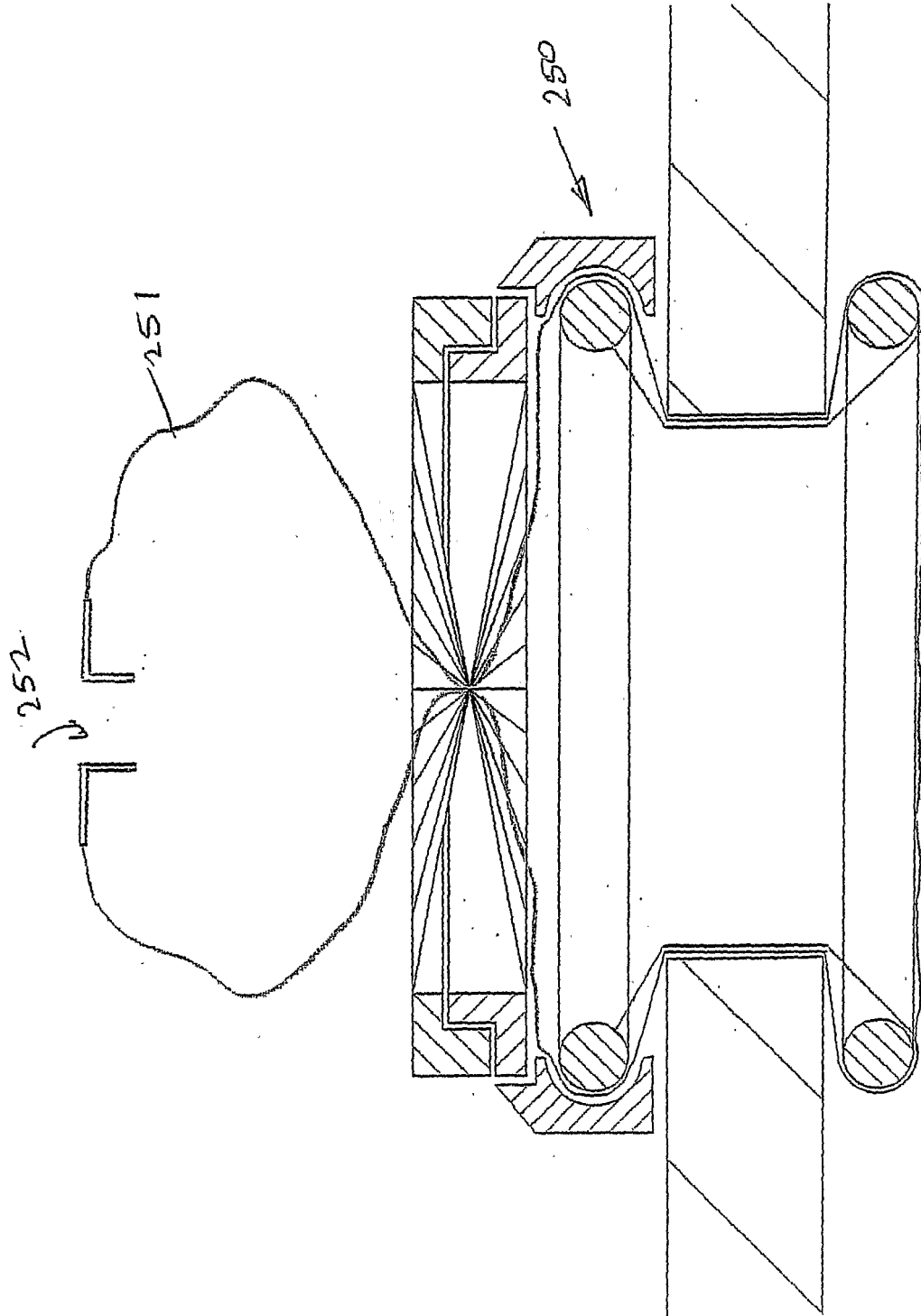
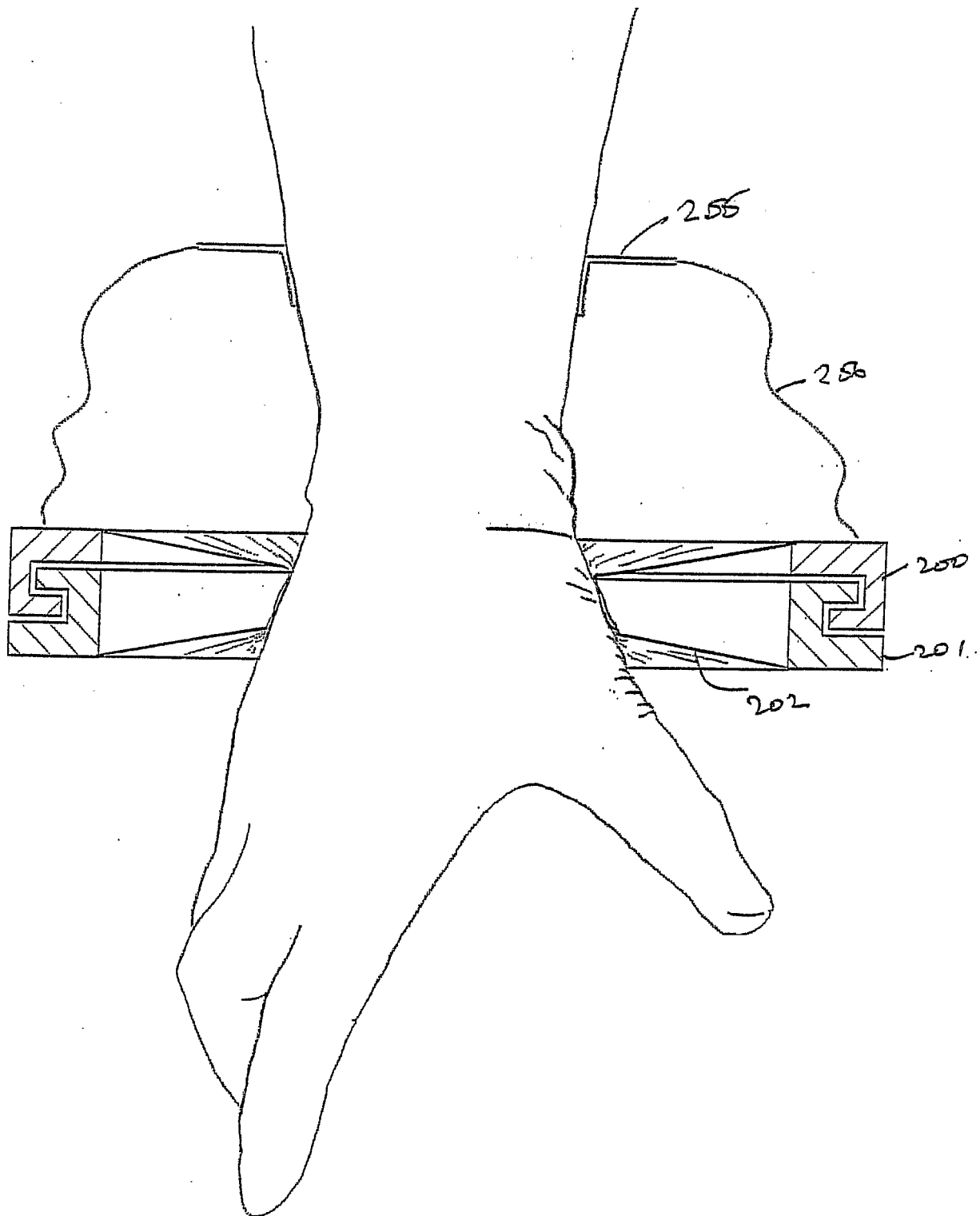
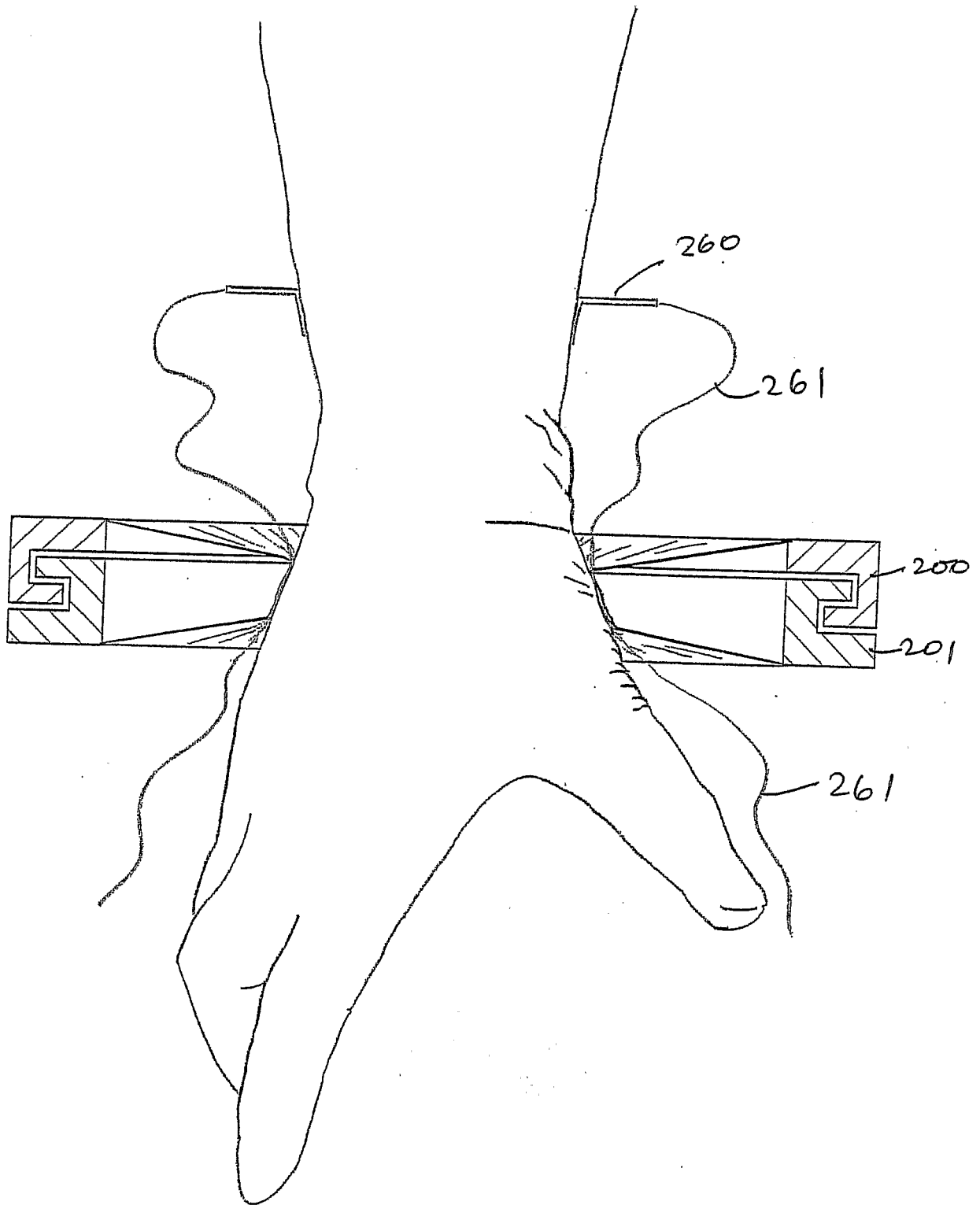


Fig. 68





63/68

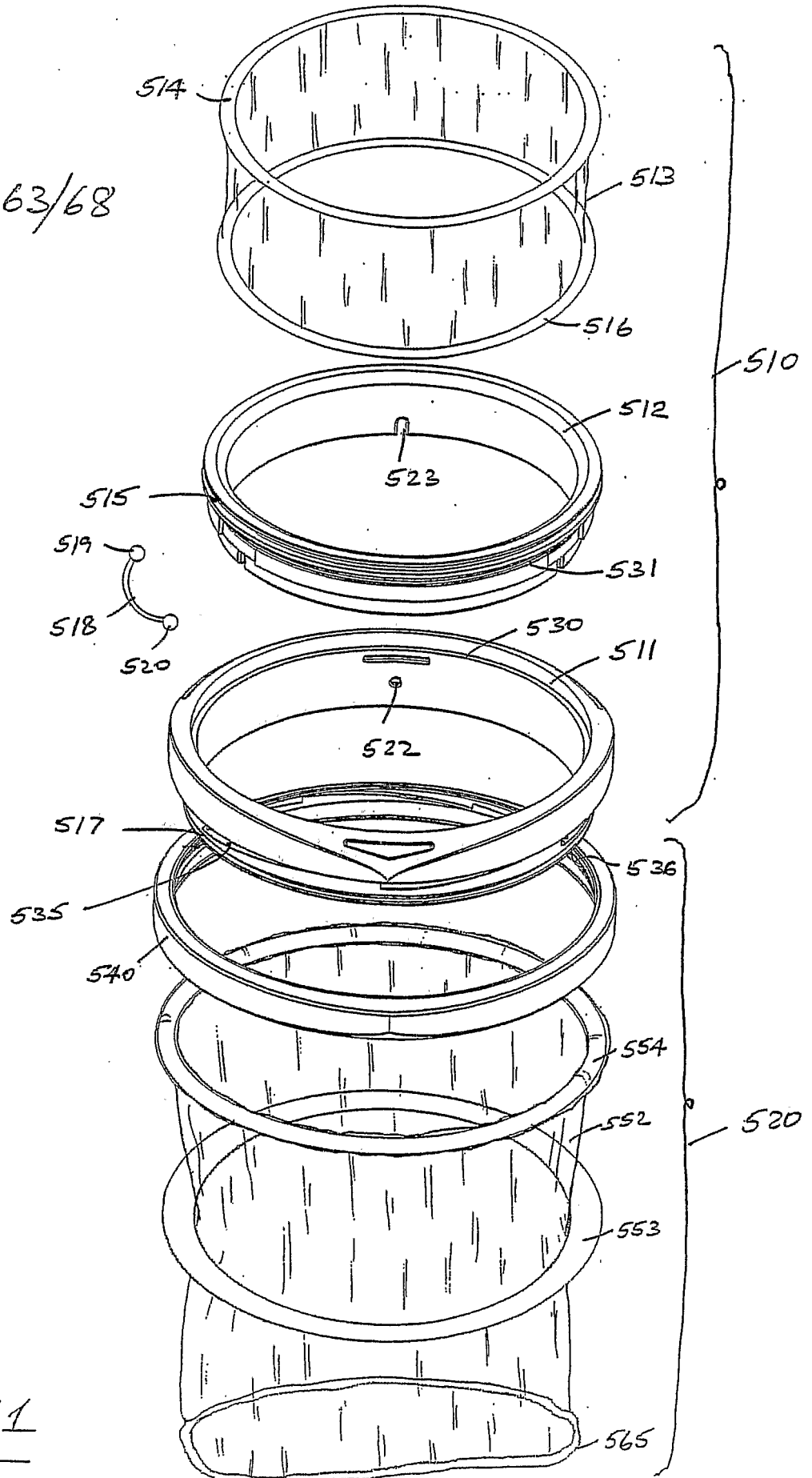


Fig. 71

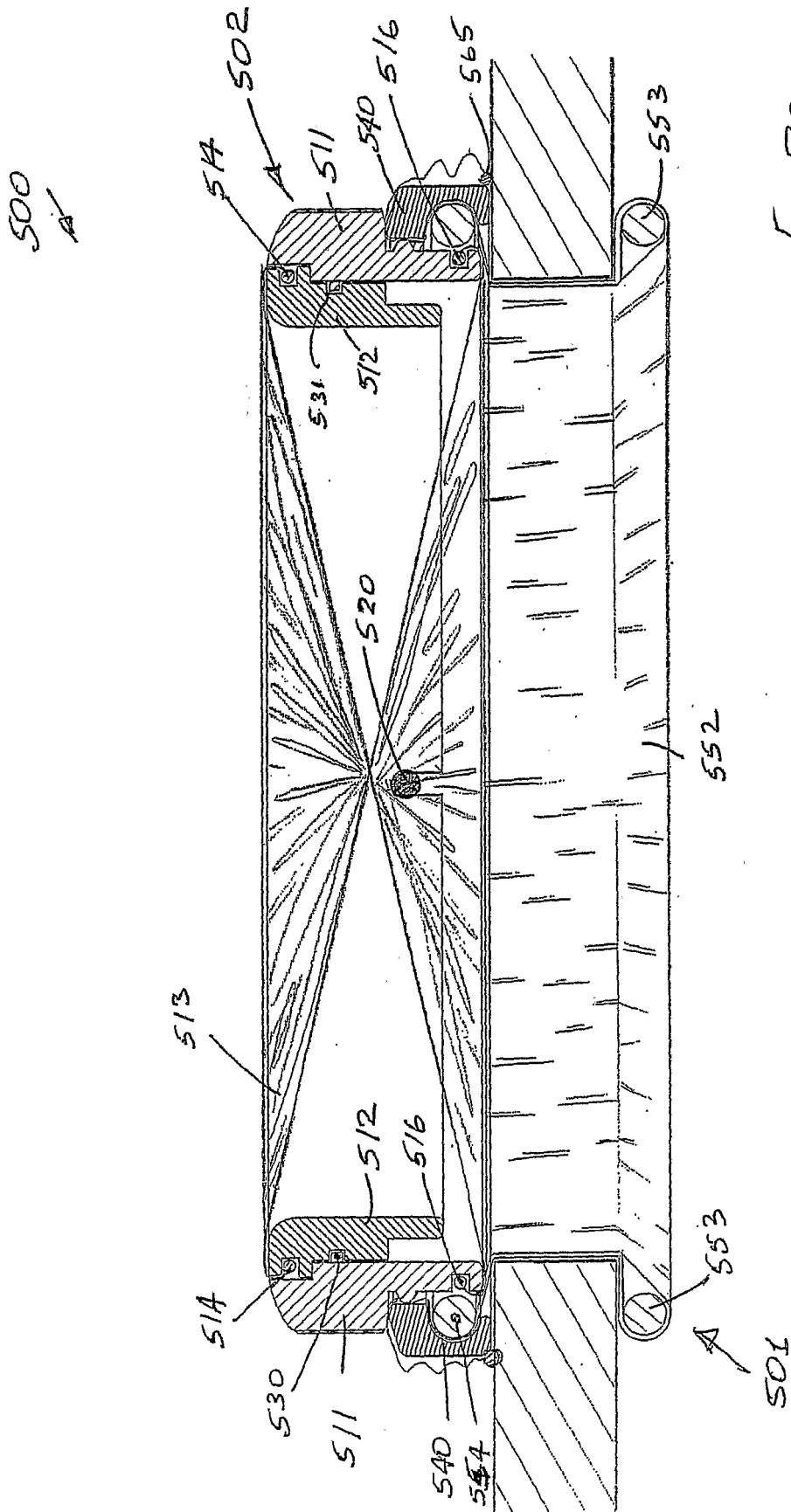


Fig. 72

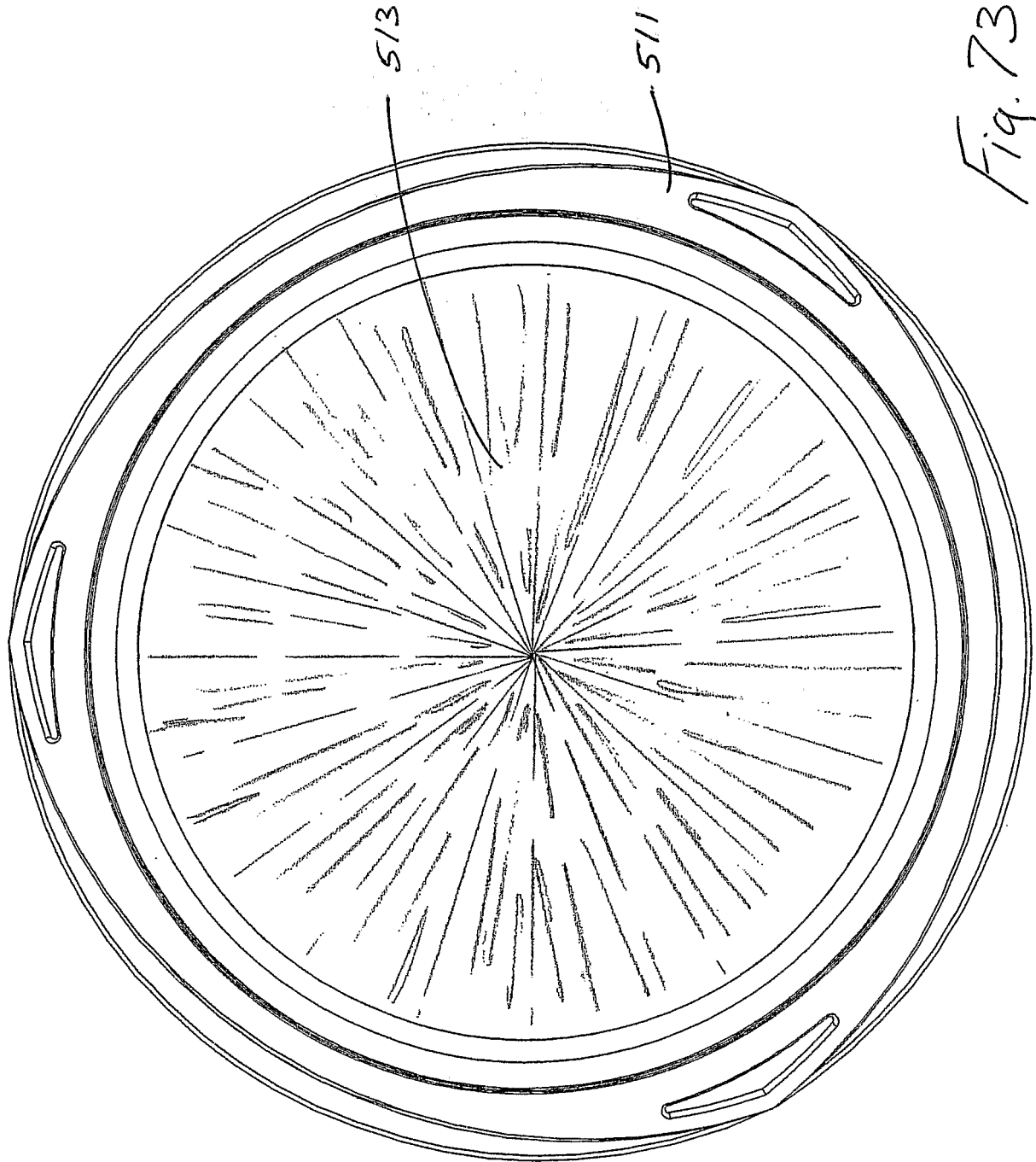


Fig. 73

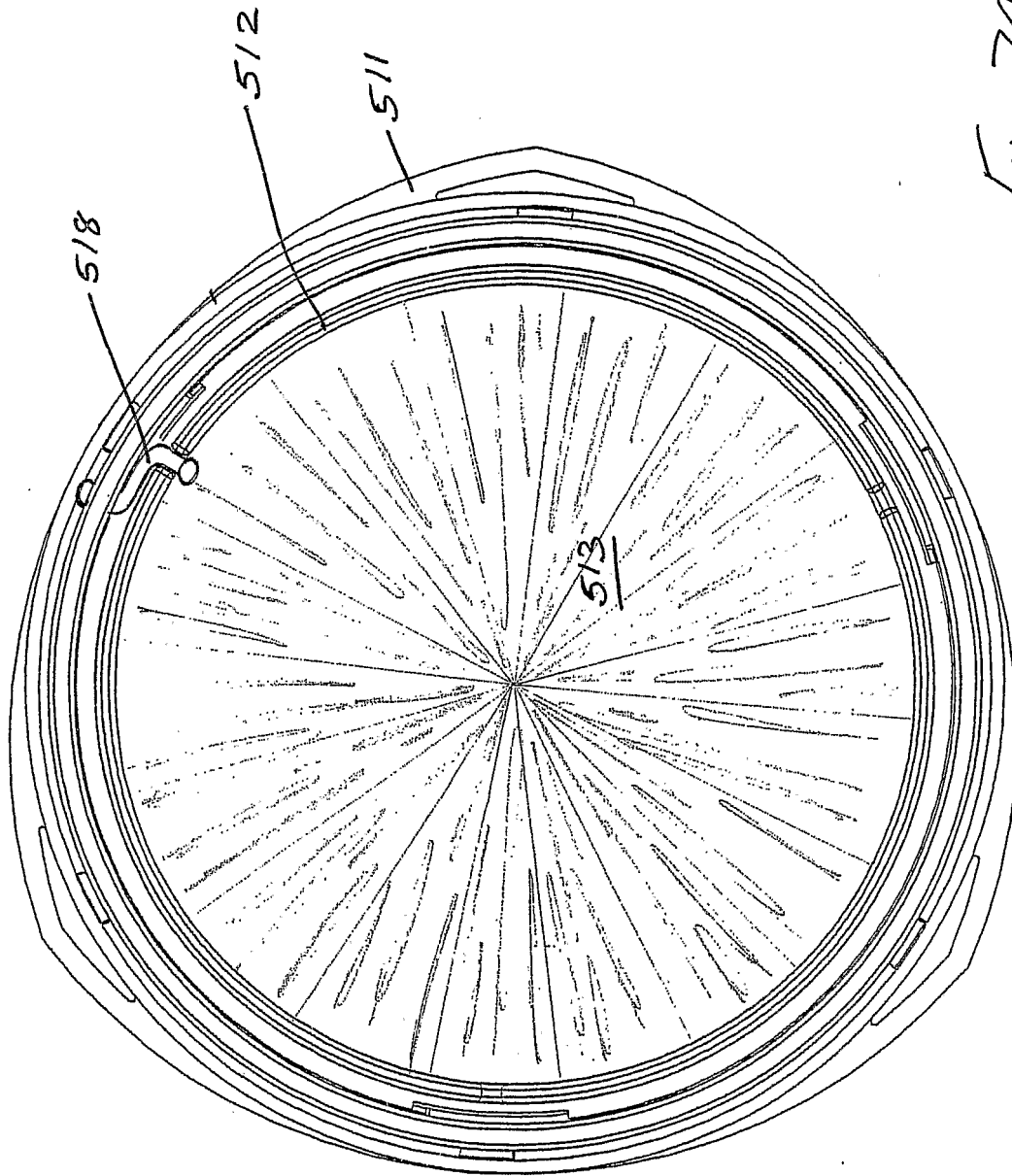


Fig. 74

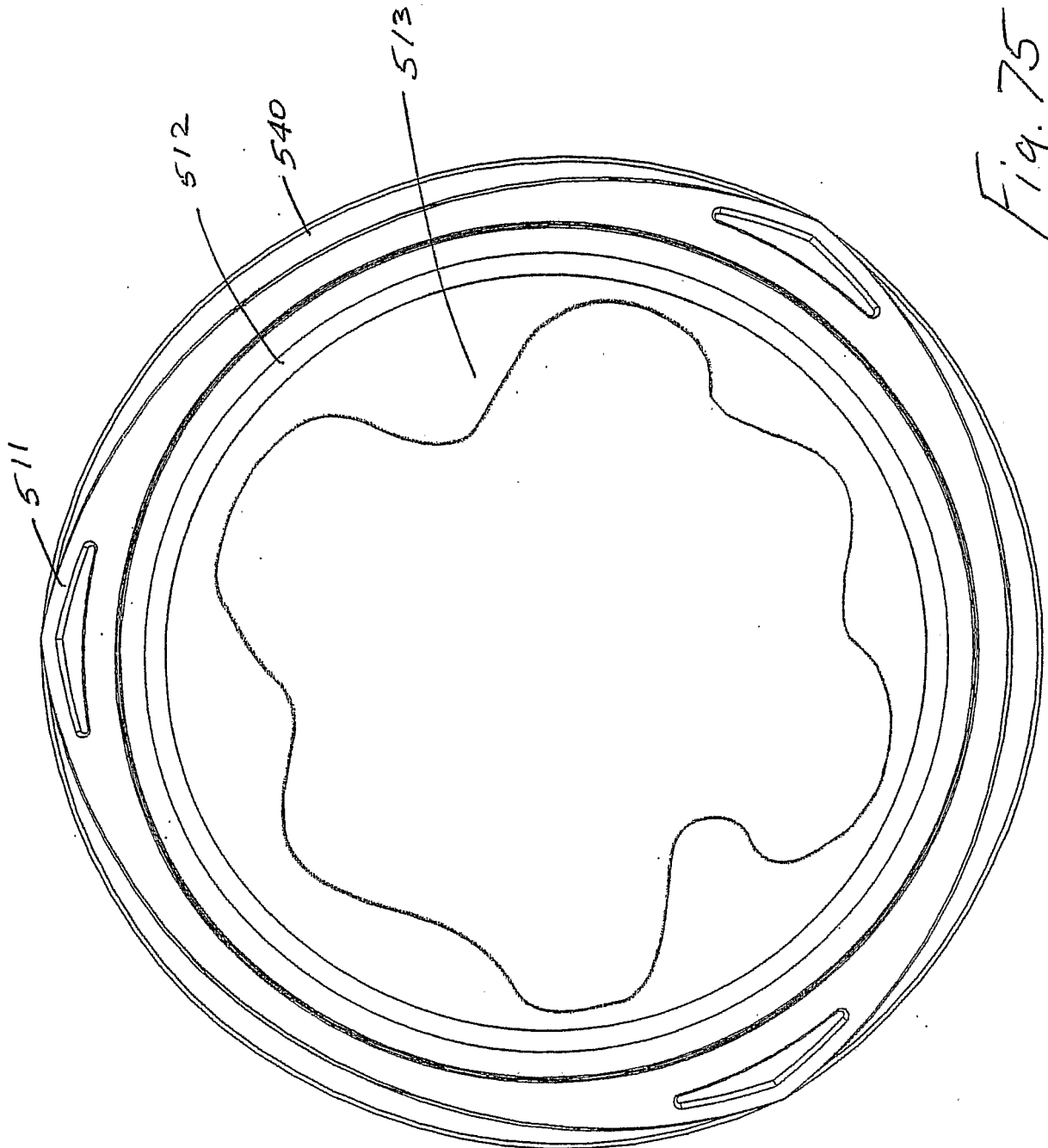


Fig. 75

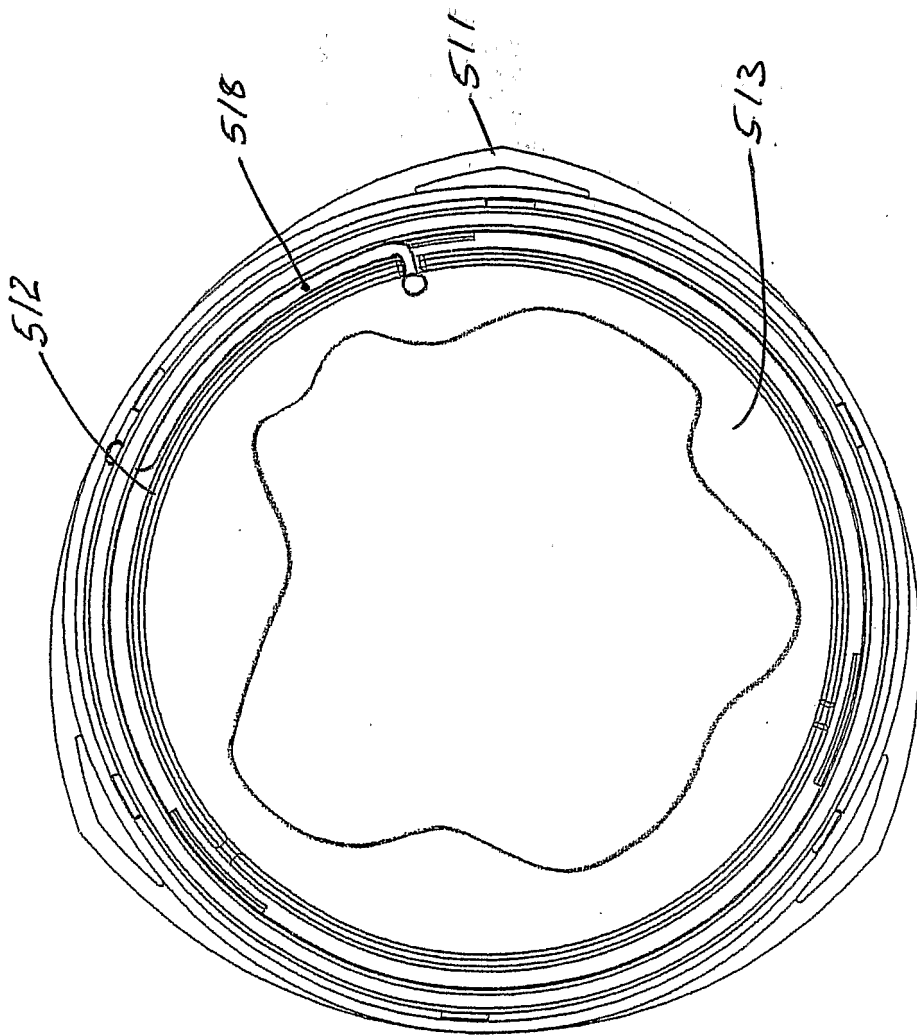


Fig. 76

INTERNATIONAL SEARCH REPORT

International Application No
PCT/IE 03/00171

A. CLASSIFICATION OF SUBJECT MATTER
IPC 7 A61B17/34 A61B17/02

According to International Patent Classification (IPC) or to both national classification and IPC

B. FIELDS SEARCHED

Minimum documentation searched (classification system followed by classification symbols)
IPC 7 A61B

Documentation searched other than minimum documentation to the extent that such documents are included in the fields searched

Electronic data base consulted during the international search (name of data base and, where practical, search terms used)

EPO-Internal

C. DOCUMENTS CONSIDERED TO BE RELEVANT

Category °	Citation of document, with indication, where appropriate, of the relevant passages	Relevant to claim No.
X	US 5 480 410 A (HEAVEN MALCOM D ET AL) 2 January 1996 (1996-01-02) column 4, line 19 - line 45; figures 3A-3D, 4A, 4B	1-7, 15-17, 21, 22, 27, 30-33, 38, 39
A	US 2001/037053 A1 (MCMANUS RONAN BERNARD ET AL) 1 November 2001 (2001-11-01) paragraph '0085!; figures 3, 4 -/--	1-7, 22, 30-33, 38, 39

Further documents are listed in the continuation of box C.

Patent family members are listed in annex.

° Special categories of cited documents :

- *A* document defining the general state of the art which is not considered to be of particular relevance
- *E* earlier document but published on or after the international filing date
- *L* document which may throw doubts on priority claim(s) or which is cited to establish the publication date of another citation or other special reason (as specified)
- *O* document referring to an oral disclosure, use, exhibition or other means
- *P* document published prior to the international filing date but later than the priority date claimed

- *T* later document published after the international filing date or priority date and not in conflict with the application but cited to understand the principle or theory underlying the invention
- *X* document of particular relevance; the claimed invention cannot be considered novel or cannot be considered to involve an inventive step when the document is taken alone
- *Y* document of particular relevance; the claimed invention cannot be considered to involve an inventive step when the document is combined with one or more other such documents, such combination being obvious to a person skilled in the art.
- *Z* document member of the same patent family

Date of the actual completion of the international search

1 June 2004

Date of mailing of the international search report

09/06/2004

Name and mailing address of the ISA

European Patent Office, P.B. 5818 Patentlaan 2
NL - 2280 HV Rijswijk
Tel. (+31-70) 340-2040, Tx. 31 651 epo nl,
Fax: (+31-70) 340-3016

Authorized officer

Ducreau, F

INTERNATIONAL SEARCH REPORT

International Application No

PCT/IE 03/00171

C.(Continuation) DOCUMENTS CONSIDERED TO BE RELEVANT

Category *	Citation of document, with indication, where appropriate, of the relevant passages	Relevant to claim No.
A	EP 0 950 376 A (HAKKO ELECTRIC MACHINE WORKS C ;SHIMOMURA KAZUYUKI (JP)) 20 October 1999 (1999-10-20) paragraph '0022! - paragraph '0027!; figures 3A,3B,4A,4B ----	1-7,22, 30-33, 38,39
A	US 5 906 577 A (CARROLL MAUREEN E ET AL) 25 May 1999 (1999-05-25) column 9, line 29 - line 42; figures 6A,6B ----	1-7,22, 30-33, 38,39
A	WO 95/07056 A (BONADIO FRANK ;ENCORET LTD (IE)) 16 March 1995 (1995-03-16) page 7, line 23 -page 8, line 4; figures 4-7 -----	1-7,22, 30-33, 38,39

INTERNATIONAL SEARCH REPORT

International application No.
PCT/IE 03/00171

Box I Observations where certain claims were found unsearchable (Continuation of item 1 of first sheet)

This International Search Report has not been established in respect of certain claims under Article 17(2)(a) for the following reasons:

1. Claims Nos.: 34-37, 40
because they relate to subject matter not required to be searched by this Authority, namely:
Rule 39.1(iv) PCT - Method for treatment of the human or animal body by surgery
2. Claims Nos.:
because they relate to parts of the International Application that do not comply with the prescribed requirements to such an extent that no meaningful International Search can be carried out, specifically:
3. Claims Nos.:
because they are dependent claims and are not drafted in accordance with the second and third sentences of Rule 6.4(a).

Box II Observations where unity of invention is lacking (Continuation of item 2 of first sheet)

This International Searching Authority found multiple inventions in this international application, as follows:

1. As all required additional search fees were timely paid by the applicant, this International Search Report covers all searchable claims.
2. As all searchable claims could be searched without effort justifying an additional fee, this Authority did not invite payment of any additional fee.
3. As only some of the required additional search fees were timely paid by the applicant, this International Search Report covers only those claims for which fees were paid, specifically claims Nos.:
4. No required additional search fees were timely paid by the applicant. Consequently, this International Search Report is restricted to the invention first mentioned in the claims; it is covered by claims Nos.:

Remark on Protest

The additional search fees were accompanied by the applicant's protest.

No protest accompanied the payment of additional search fees.

INTERNATIONAL SEARCH REPORT

Information on patent family members

International Application No

PCT/IE 03/00171

Patent document cited in search report		Publication date	Patent family member(s)	Publication date
US 5480410	A	02-01-1996	AU 1997295 A	03-10-1995
			EP 0750472 A1	02-01-1997
			WO 9524864 A1	21-09-1995
US 2001037053	A1	01-11-2001	AU 1405200 A	19-06-2000
			BR 9915848 A	21-08-2001
			CA 2351643 A1	08-06-2000
			CN 1329474 T	02-01-2002
			EP 1146826 A1	24-10-2001
			IE 991009 A1	12-07-2000
			WO 0032116 A1	08-06-2000
			JP 2002531160 T	24-09-2002
			US 2003078478 A1	24-04-2003
			US 2002002324 A1	03-01-2002
EP 0950376	A	20-10-1999	JP 3019150 B2	13-03-2000
			JP 11290327 A	26-10-1999
			EP 0950376 A1	20-10-1999
			US 6077288 A	20-06-2000
US 5906577	A	25-05-1999	AT 245392 T	15-08-2003
			AU 745359 B2	21-03-2002
			AU 7274698 A	24-11-1998
			CA 2288023 A1	05-11-1998
			DE 69816613 D1	28-08-2003
			DE 69816613 T2	15-04-2004
			EP 1312318 A1	21-05-2003
			EP 0981302 A1	01-03-2000
			JP 3181299 B2	03-07-2001
			JP 2000501978 T	22-02-2000
			JP 2001212150 A	07-08-2001
			WO 9848724 A1	05-11-1998
			US 2002183594 A1	05-12-2002
			US 6142936 A	07-11-2000
			US 6440063 B1	27-08-2002
WO 9507056	A	16-03-1995	AT 188364 T	15-01-2000
			AU 696289 B2	03-09-1998
			AU 7507494 A	27-03-1995
			CA 2171177 A1	16-03-1995
			DE 69422530 D1	10-02-2000
			DE 69422530 T2	27-07-2000
			EP 0776180 A2	04-06-1997
			EP 0834279 A2	08-04-1998
			EP 0888755 A1	07-01-1999
			EP 0887047 A1	30-12-1998
			EP 0887048 A1	30-12-1998
			ES 2142404 T3	16-04-2000
			WO 9507056 A2	16-03-1995
			JP 9502624 T	18-03-1997
			JP 2004121874 A	22-04-2004

专利名称(译)	手术器械		
公开(公告)号	EP1572014A1	公开(公告)日	2005-09-14
申请号	EP2003780558	申请日	2003-12-16
[标]申请(专利权)人(译)	阿特波斯有限公司		
申请(专利权)人(译)	阿特洛波斯有限公司		
当前申请(专利权)人(译)	阿特洛波斯有限公司		
[标]发明人	BONADIO FRANK BUTLER JOHN VAUGH TREVOR MACNALLY SHANE JOSEPH REID ALAN		
发明人	BONADIO, FRANK BUTLER, JOHN VAUGH, TREVOR MACNALLY, SHANE JOSEPH REID, ALAN		
IPC分类号	A61B17/00 A61B17/02 A61B17/34		
CPC分类号	A61B17/3423 A61B17/00234 A61B17/0293 A61B17/3431 A61B17/3462 A61B2017/3482		
优先权	60/433603 2002-12-16 US 60/453200 2003-03-11 US		
其他公开文献	EP1572014B1		
外部链接	Espacenet		

摘要(译)

外科装置包括由第一环形元件 (200) 和第二环形元件 (201) 提供的安装元件。柔性材料套筒 (202) 形式的密封构件具有安装到环 (200,201) 的端部。套筒202被扭曲以具有常闭的进入开口207, 并且在插入外科医生的手/臂210时可移动以打开进入开口207, 同时保持与臂210的基本密封接合, 。提供偏置装置以将套筒偏置到其中入口 (207) 通常关闭的构造。偏移可以通过预张紧套筒 (202) 和/或通过使用单独的弹簧元件 (220,215) 来提供。