

(19) World Intellectual Property Organization
International Bureau



(10) International Publication Number
WO 2009/146521 A1

(43) International Publication Date
10 December 2009 (10.12.2009)

(51) International Patent Classification:
A61B 5/055 (2006.01) *A61B 6/10* (2006.01)
A61B 6/04 (2006.01)

(21) International Application Number:
PCT/CA2009/000672

(22) International Filing Date:
25 May 2009 (25.05.2009)

(25) Filing Language: English

(26) Publication Language: English

(30) Priority Data:
61/058,657 4 June 2008 (04.06.2008) US
12/420,859 9 April 2009 (09.04.2009) US

(71) Applicant (for all designated States except US): **IMRIS INC.** [CA/CA]; 1370 Sony Place, Winnipeg, Manitoba R3T 1N5 (CA).

(72) Inventors; and

(75) Inventors/Applicants (for US only): **SCARTH, Gordon** [CA/CA]; 4 Burland Avenue, Winnipeg, Manitoba R2N 2W4 (CA). **ROBBINS, Steven** [CA/CA]; 6 Huntingdale Road, Winnipeg, Manitoba R3P 2G7 (CA). **GUYOT, Brendan** [CA/CA]; 34 Frederick Avenue, Winnipeg, Manitoba R2M 1E3 (CA).

(74) Agent: **BATTISON WILLIAMS DUPUIS**; 2157 Henderson Highway, Winnipeg, Manitoba R2G 1P9 (CA).

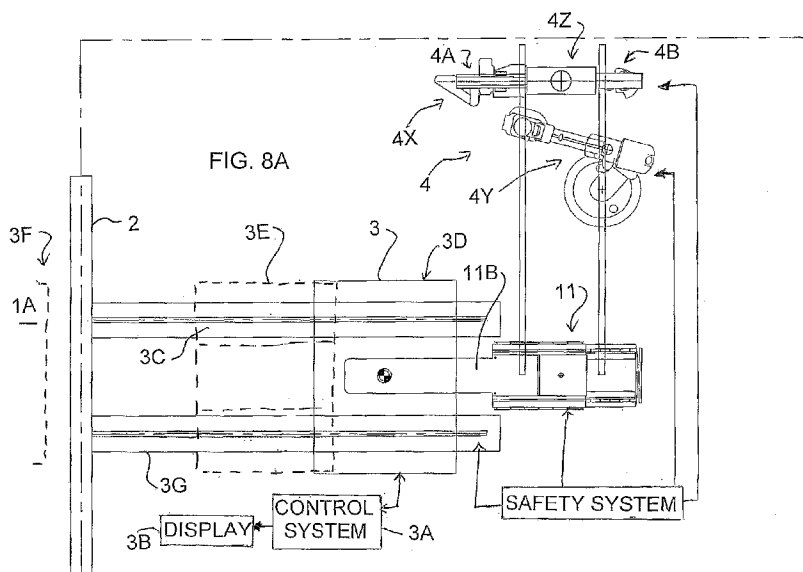
(81) Designated States (unless otherwise indicated, for every kind of national protection available): AE, AG, AL, AM, AO, AT, AU, AZ, BA, BB, BG, BH, BR, BW, BY, BZ, CA, CH, CN, CO, CR, CU, CZ, DE, DK, DM, DO, DZ, EC, EE, EG, ES, FI, GB, GD, GE, GH, GM, GT, HN, HR, HU, ID, IL, IN, IS, JP, KE, KG, KM, KN, KP, KR, KZ, LA, LC, LK, LR, LS, LT, LU, LY, MA, MD, ME, MG, MK, MN, MW, MX, MY, MZ, NA, NG, NI, NO, NZ, OM, PG, PH, PL, PT, RO, RS, RU, SC, SD, SE, SG, SK, SL, SM, ST, SV, SY, TJ, TM, TN, TR, TT, TZ, UA, UG, US, UZ, VC, VN, ZA, ZM, ZW.

(84) Designated States (unless otherwise indicated, for every kind of regional protection available): ARIPO (BW, GH, GM, KE, LS, MW, MZ, NA, SD, SL, SZ, TZ, UG, ZM, ZW), Eurasian (AM, AZ, BY, KG, KZ, MD, RU, TJ, TM), European (AT, BE, BG, CH, CY, CZ, DE, DK, EE, ES, FI, FR, GB, GR, HR, HU, IE, IS, IT, LT, LU, LV, MC, MK, MT, NL, NO, PL, PT, RO, SE, SI, SK, TR), OAPI (BF, BJ, CF, CG, CI, CM, GA, GN, GQ, GW, ML, MR, NE, SN, TD, TG).

Published:

- with international search report (Art. 21(3))
- before the expiration of the time limit for amending the claims and to be republished in the event of receipt of amendments (Rule 48.2(h))

(54) Title: SYSTEM FOR MAGNETIC RESONANCE AND X-RAY IMAGING



(57) Abstract: A patient table for a common imaging system including Magnetic Resonance and X-Ray retains the patient stationary in position prior to, during and subsequent to the imaging and includes a base, a patient support portion cantilevered from the base and a mattress. A safety system is provided for controlling the operation of the magnet and MR system and the X-Ray systems to allow effective safe operation and controls the movement of the magnet to the table and the movement of the X-Ray imaging systems to and from the table to locations where they do not interfere with the MR imaging.

WO 2009/146521 A1

SYSTEM FOR MAGNETIC RESONANCE AND X-RAY IMAGING

This invention relates to system for use in magnetic resonance and X-Ray imaging of a patient.

BACKGROUND OF THE INVENTION

5 With MRI, a high field magnet, typically superconducting, is arranged in a torus configuration (like a donut) and with the patient lying down inside the magnet on a table where the magnetic field allows a pulsed and sequenced magnetic and EM field to probe the body to produce images, which allow the trained radiologist to determine with high probability the anatomy of the patient. MRI is sometimes performed using contrast agents
10 introduced to the patient to provide even better contrast between different tissue types. MRI techniques are very good at detecting the anatomical location of different diseases, for example, tumours.

 In US Patent 5,735,278 (Hoult et al) issued April 7th, 1998, disclosed a medical procedure where a magnet is movable relative to a patient and relative to other
15 components of the system. The moving magnet system allows intra-operative MRI imaging to occur more easily in neurosurgery patients, and has additional applications for liver, breast, spine and cardiac surgery patients.

 In Published PCT Application WO07147233A1 of the present Applicants published December 27th, 2007 and entitled ROTATABLE INTEGRATED SCANNER FOR
20 DIAGNOSTIC AND SURGICAL IMAGING APPLICATIONS is disclosed an improvement to the above patent in which an additional rotational movement of the magnet is allowed.

 A scanning system is known in which the patient is moved from an X-Ray imaging system to an MR imaging system by transferring the patient from one imaging system to the other, for example, on a moveable table. The MR scanner is used to provide
25 information complementary to that obtained using X-Ray. It can be used, for example, to perform a baseline assessment prior to intervention as well as to perform a post-intervention assessment. Such an assessment may include perfusion and viability studies of the heart or of the brain.

 US Patent 5,713,357 (Meulenbrugge) issued February 3rd, 1998 and related
30 patent 5,807,254 both of Phillips shows a combination of an X-Ray system and an MRI system. The system is not for intra-operative uses and the magnet is not a cylinder. The

magnet is not moved. The X-Ray is moved side to side in Figure 2. The patient is moved in Figure 1.

US Patent 6,101,239 (Kawasaki) issued August 8th, 2000 to Hitachi provides an X ray and MRI operating simultaneously at the same location and methods to operate
5 them in a timed manner to avoid interference. However this arrangement is not suitable for interventions by the medical team since the presence of the machines restricts access to the patient.

US Patent 6,385,480 (Bachus) issued May 7th, 2002 of Siemens discloses what they call an angio-MR system where the radiographic angio-system cooperates with
10 the MR system. There is provided a moving patient table which transfers the patient from the X-Ray system at one location to the MRI at a second location.

US Patent Application 2006/0239524 (Desh) published October 26th, 2006 of Siemens relates to diagnosis and treatment of cardiac diseases using MRI and X-Ray. This is directed to a method of combining the images to analyze the diagnosis.

US Patent 6,975,895 (Pelc) issued December 13th, 2005 to Leland Stanford
15 University provides a modified X ray tube for use in magnetic fields of an MRI system.

US Patent 6,658,085 (Sklebitz) issued December 2, 2003 of Siemens discloses a system in which current for the coils generating the magnetic field of the MRI is calculated to reduce stray fields in the area of the X-Ray system.

US Patent 5,865,780 (Tuite) issued February 2, 1999 of SDGI Holdings
20 discloses a device for engaging and holding the body of the patient during procedures in MRI and X-Ray imaging.

US Patent 6,812,700 (Fahrig) issued November 2, 2004 of Leland Stanford
25 University discloses a related system in which the perturbations in the magnetic field of the MRI caused by the X-Ray system are compensated.

US Patent 4,595,899 (Smith) issued June 17th, 1986 to Leland Stanford
University provides an MRI system.

US 5,099,846 (Hardy) issued March 31st, 1992 relates to combining images
30 from different imaging modalities and is primarily about the software for combining the images such as X-Ray and NMR.

US Patent 6,754,519 (Hefetz) issued June 22nd, 2004 to Elgems discloses two imaging systems such as CT and MRI where the two systems are mounted on a common rail system for rolling movement from a common position to a spaced position.

5 US Patent 5,291,890 (Cline) issued March 8th, 1994 to GE discloses a patient heat treatment system where the heat is detected using an MRI.

US Patent 6,961,606 (DeSilits) issued November 1, 2005 to Phillips discloses two imaging systems such as CT and PET where the two systems are mounted on a common rail system for rolling movement from a common position together for common scanning of the patient to a spaced apart position.

10 German patent application 39 31 854 of Muller published April 4th, 1991 discloses an NMR apparatus using a laser coagulation stereotactic system.

Japanese application 05344964 of Toshiba shows a combination of an X-Ray system and an MRI system. This application is filed only in Japan and provides what is apparently a crude system.

15 Japanese patent application 4183446 published June 30th, 1992 by Res Dev Corp of Japan discloses the use of MRI and X-Ray in a common apparatus.

One element which must be designed for use with a combined imaging system of the type described above is that of the patient support table.

20

SUMMARY OF THE INVENTION

It is one object of the present invention to provide an improved system for MR and X-Ray imaging using a patient table where the patient remains on the same table during both imaging steps.

25 According to a first aspect of the invention there is provided an apparatus for imaging of a part of a patient comprising:

a patient support table, the patient support table comprising;

a table support base for mounting in fixed position in an imaging suite;

and an upper patient support portion on which the patient can lie with the part

30 of the patient exposed for imaging;

the upper patient support portion being mounted for controlled movement thereof relative to the table support base;

4

a magnetic resonance imaging system for obtaining images of the part of the patient, the magnetic resonance imaging system comprising:

a magnet for use with a control system for controlling and varying the magnetic fields,

5 a radio frequency transmission and detection system for eliciting and detecting from the part of the patient nuclear magnetic resonance signals, in response to the magnetic fields, including RF coils arranged to be located adjacent to the part of the patient;

and a computer and display monitor for decoding and displaying an image obtained from the detected signals;

10 the magnet defining a coil surrounding a horizontal axis and defining a cylindrical bore extending between axial ends of the coil of the magnet with an imaging zone part way along the bore between the ends;

wherein the magnet is mounted on a magnet support arranged so that the magnet is movable longitudinally along its axis between a magnetic resonance imaging position in which the magnet bore surrounds the patient support portion while the patient support portion remains supported on the table support base and a remote position in which the magnet is removed from the upper patient support portion by a distance such that the upper patient support portion is out of the strong magnetic field of the magnet;

and an X-Ray imaging system comprising:

20 an X-Ray source;

an X-Ray receptor;

the X-Ray source and the X-Ray receptor being arranged to define an imaging zone;

an X-Ray support base;

25 the source and the receptor being mounted on a common mounting member carried on the X-Ray support base and moveable relative thereto for adjusting the relative positions of the patient support table and the X-Ray imaging zone for imaging selected parts of the patient;

30 the upper patient support portion of the patient support table being cantilevered from the table support base in a direction longitudinal of the axis so as to extend into the bore from one end of the magnet to the imaging zone and also be used with

an X-Ray tube under the upper patient support and a detector above the upper patient support;

the X-Ray imaging system and the patient support table being mounted for relative movement of one relative to the other such that the upper patient support portion
5 can co-operate with the magnet during magnetic resonance imaging and can cooperate with the X-Ray imaging system during X-Ray imaging.

The system can be used to obtain MR images of all parts of the anatomy. This can be done in two ways; either by moving the patient support in the bore or by fixing the patient support and stopping the magnet at different points along the table.

10 Preferably there is provided a room containing the patient support table and the X-Ray imaging system, the room having doors through which the magnet can pass and wherein the magnet support is arranged to move the magnet to a position outside the doors when magnetic resonance imaging is complete.

15 Preferably the X-Ray support base is moveable relative to the patient support table between an imaging position in which the patient support portion is located in the imaging zone of the X-Ray imaging system and a remote position in which the X-Ray imaging system is removed from the table a distance such that the magnet can be moved to the imaging position of the magnet.

20 Preferably the X-Ray support base is movable in a direction generally to one side of the longitudinal direction of the table.

25 Preferably there is provided at least one additional X-Ray imaging system. If two are used they are preferably in a bi-planar arrangement. In this case, preferably both the X-Ray imaging systems are movable relative to the patient support table and wherein one of the X-Ray imaging systems is movable in a direction generally away from the other with one X-Ray imaging system being mounted on floor and the other X-Ray imaging system being mounted from an overhead support and the other X-Ray imaging system including overhead rails. Preferably the X-Ray imaging system is mounted on a pivot for movement relative to the patient support table.

30 In one arrangement, the patient support table rotates about a vertical axis through an angle preferably of the order of 90 degrees from a first angular position for cooperation with the X-Ray imaging system to a second angular position for cooperation with the magnet.

Preferably the patient support portion of the patient support table is mounted for adjustable movement relative to the table support base for use in moving the patient for X-Ray imaging and the movement can be used for adjustment of the anatomy in the bore of the magnet when the magnet is in the magnetic resonance imaging position over the patient support. When the magnet is over the patient support the patient support adjustment can be disabled so as not to interfere with the bore of the magnet.

Preferably the upper patient support portion is removable from the table support base and the table support base includes registration members which allow engagement thereon only of an upper patient support portion which is configured to match the registration members so as to prevent use of an upper patient support portion which is incompatible with the magnetic field or with X-Ray.

Preferably the patient support table has side rails movable longitudinally of the upper patient support portion for supporting accessories and the side rails are limited in movement such that they are prevented from impacting on the magnet when the magnet is in the imaging position.

Preferably each of the side rails includes an end stop member operable to halt longitudinal movement of one of the accessories along the rail and potentially off of the end of the rail.

Preferably each of the accessories to be supported on the rails includes a pair of locking members at spaced positions along the rails to ensure that the accessory is held in place at two spaced positions and is prevented from leaving the rail under magnetic attraction force. This gives redundancy to the locking mechanism for added safety.

Preferably there is provided a safety control system for controlling movements of the magnet, the patient support table and the X-Ray imaging system.

Preferably the safety control system is arranged to prevent forward movement of the magnet into the room in the event that the patient support table and/or the X-Ray imaging system are not in a park position, which is a position where the magnet can safely move to the magnetic resonance imaging position without adversely affecting either the patient support table and/or the X-Ray imaging system.

Preferably the safety control system is arranged to operate forward movement of the magnet up to a halt position spaced from the end of the upper patient

support portion of the patient support table at which the magnet automatically is halted to ensure that there will be no collision with the magnet before proceeding forward.

Preferably the patient support table is operable to adjust the upper patient support portion when the magnet is in the halt position and wherein the patient support table is prevented from adjusting the upper patient support portion when the magnet is moved forwardly of the halt position.

Preferably the safety control system is arranged to allow retraction movement of the magnet at times when forward movement is enabled and disabled. Also the safety control system is preferably arranged to operate retraction movement of the magnet up to a halt position spaced from the end of the upper patient support portion of the patient support table at which the retraction movement automatically is halted.

Preferably the safety control system includes a status display for an operator which includes indication of:

The state of enablement of movement of the magnet for all possible movements;

The state of the X-Ray imaging system and patient support table including being in the park position;

Enablement of movement of the X-Ray imaging system including individual components of the system;

Enablement of movement of the patient support table;

Components of the X-Ray imaging system and/or patient table being powered down either manually or automatically to reduce imaging artefacts from noise sources in the X-Ray imaging system and/or patient table in the MR images during MR imaging.

Preferably the safety control system is arranged to power down components of the X-Ray imaging system to reduce MR imaging artefacts during the MRI by removing power to all components within the room with the exception of those necessary to maintain the fast transition from MR imaging to X-Ray imaging including the temperature control of X-Ray receptors of the X-Ray imaging system.

According to a second aspect of the invention there is provided an apparatus for imaging of a part of a patient comprising:

a patient support table, the patient support table comprising;

a table support base for mounting in fixed position in an imaging suite;
and an upper patient support portion on which the patient can lie with the part
of the patient exposed for imaging;

the upper patient support portion being mounted for controlled movement
5 thereof relative to the table support base;

a magnetic resonance imaging system for obtaining images of the part of the
patient, the magnetic resonance imaging system comprising:

a magnet for use with a control system for controlling and varying the
magnetic fields,

10 a radio frequency transmission and detection system for eliciting and
detecting from the part of the patient nuclear magnetic resonance signals, in response to the
magnetic fields, including RF coils arranged to be located adjacent to the part of the patient;

and a computer and display monitor for decoding and displaying an image
obtained from the detected signals;

15 the magnet defining a coil surrounding a horizontal axis and defining a
cylindrical bore extending between axial ends of the coil of the magnet with an imaging zone
part way along the bore between the ends;

the upper patient support portion of the patient support table being
cantilevered from the table support base in a direction longitudinal of the axis so as to
20 extend into the bore from one end of the magnet to the imaging zone;

wherein the magnet is mounted on a magnet support arranged so that the
magnet is movable between a magnetic resonance imaging position in which the magnet
bore surrounds the patient support portion while the patient support portion remains
supported on the table support base and a remote position in which the magnet is removed
25 from the upper patient support portion by a distance such that the upper patient support
portion is out of the strong magnetic field of the magnet;

and an X-Ray imaging system comprising:

an X-Ray source;

an X-Ray receptor;

30 the X-Ray source and the X-Ray receptor being arranged to define an
imaging zone;

an X-Ray support base;

the source and the receptor being mounted on a common mounting member carried on the X-Ray support base and moveable relative thereto for adjusting the relative positions of the patient support table and the X-Ray imaging zone for imaging selected parts of the patient;

5 wherein the upper patient support portion is removable from the table support base and wherein the table support base includes registration members which allow engagement thereon only of an upper patient support portion which is configured to match the registration members so as to prevent use of an upper patient support portion which is incompatible with the magnetic field.

10 According to a third aspect of the invention there is provided an apparatus for imaging of a part of a patient comprising:

 a patient support table, the patient support table comprising;

 a table support base for mounting in fixed position in an imaging suite;

15 and an upper patient support portion on which the patient can lie with the part of the patient exposed for imaging;

 the upper patient support portion being mounted for controlled movement thereof relative to the table support base;

 a magnetic resonance imaging system for obtaining images of the part of the patient, the magnetic resonance imaging system comprising:

20 a magnet for use with a control system for controlling and varying the magnetic fields,

 a radio frequency transmission and detection system for eliciting and detecting from the part of the patient nuclear magnetic resonance signals, in response to the magnetic fields, including RF coils arranged to be located adjacent to the part of the patient;

25 and a computer and display monitor for decoding and displaying an image obtained from the detected signals;

 the magnet defining a coil surrounding a horizontal axis and defining a cylindrical bore extending between axial ends of the coil of the magnet with an imaging zone part way along the bore between the ends;

30 the upper patient support portion of the patient support table being cantilevered from the table support base in a direction longitudinal of the axis so as to extend into the bore from one end of the magnet to the imaging zone;

10

wherein the magnet is mounted on a magnet support arranged so that the magnet is movable between a magnetic resonance imaging position in which the magnet bore surrounds the patient support portion while the patient support portion remains supported on the table support base and a remote position in which the magnet is removed
5 from the upper patient support portion by a distance such that the upper patient support portion is out of the strong magnetic field of the magnet;

and an X-Ray imaging system comprising:

an X-Ray source;

an X-Ray receptor;

10 the X-Ray source and the X-Ray receptor being arranged to define an imaging zone;

an X-Ray support base;

the source and the receptor being mounted on a common mounting member carried on the X-Ray support base and moveable relative thereto for adjusting the relative
15 positions of the patient support table and the X-Ray imaging zone for imaging selected parts of the patient;

wherein there is provided a safety control system for controlling movements of the magnet, the patient support table and the X-Ray imaging system.

BRIEF DESCRIPTION OF THE DRAWINGS

20 Figure 1 is an isometric view of an Angiography room showing a patient table, an MRI magnet movable into a position for imaging the patient on the table and an arrangement for moving an X-Ray system.

Figure 2 is an isometric view of a table for mounting the patient, the base being omitted for convenience of illustration, and showing the RF coil construction for
25 imaging of the upper torso of the patient.

Figure 3 is an isometric view on an enlarged scale of a portion of the table of Figure 2 and showing an insert portion for insertion into the receptacle in the mattress when the posterior coil portion is removed.

30 Figure 4 is an isometric view on an enlarged scale of a portion of the table of Figure 2.

Figure 5 is an exploded view of the table of Figure 2.

Figure 6 is an isometric view of a table for mounting the patient, the base being omitted for convenience of illustration, and showing the RF coil construction for imaging of the head of the patient.

Figure 7 is an exploded view of the table of Figure 6.

5 Figures 8A and 8B are schematic plan views of the imaging system of Figure 1 showing the system in a first position for MR imaging and in a second position for X-Ray imaging.

Figure 9 is a schematic block diagram of a safety system for use with the imaging system of Figure 8.

10 Figure 10 is an enlarged plan view of the table of Figure 8A showing a registration system for ensuring that only MR-compatible table tops are used with the table.

Figures 11A and 11B are schematic plan views of a modified arrangement of the imaging system of Figure 1 again showing the system in a first position for MR imaging and in a second position for X-Ray imaging.

15

DETAILED DESCRIPTION

Reference may be made to the abovementioned Published PCT Application WO07147233A1 of the present Applicants published December 27th, 2007 and entitled ROTABLE INTEGRATED SCANNER FOR DIAGNOSTIC AND SURGICAL IMAGING APPLICATIONS in which are disclosed details of the construction of an MRI magnet suitable for use in the present arrangement. The disclosure of this document is incorporated herein by reference.

In Figure 1 is shown an arrangement for carrying out Magnetic Resonance Imaging and X-Ray imaging of a patient while the patient remains stationary on a patient support table. The arrangement provides a room 1 in which is mounted a patient support table 10 with doors 2 at one side of the room for entry into the room of the magnet 3 of an MR imaging system from a magnet bay 1A. The room contains an X-Ray imaging system 4 mounted on rails 5 and includes an X-Ray transmitter 6 and receiver 7 mounted on a C-shaped support 8. The X-Ray system is of a conventional construction commercially available from a manufacturer such as Siemens. The table 10 described and illustrated herein is used in an arrangement where the patient remains in position on the table while imaging is effected using MRI and X-Ray.

Additional unique multi-room layouts, configurations and applications are possible when a rotating MRI system is designed. In this case, the following multi-room configurations are used as examples to illustrate the variety of applications which are possible, with all of these applications being financially beneficial to the healthcare industry.

5 In general, the magnet system 3 moves into a room within a relatively short time such as 1 minute, and the doors 2 open within a few seconds, so the limiting factor on effectiveness of usage of the magnet system is providing the patients into and out of the room, prepping the patients if required, and discussing the imaging with the patients. It is known that a reasonable amount of time per imaging event is 60 minutes, and therefore the
10 movement of the MRI scanner into and out of a room is not the limiting time value. The following configurations are now possible:

The system can be used with a three room diagnostic configuration in which the central magnet holding bay 1A houses the magnet and the diagnostic patients are organized in the three rooms including the room 1 and a further room not shown beyond the
15 bay 1A. The doors 2 to room 1 open, the magnet holding bay 1A becomes part of room 1. When the magnet moves to the second room, the magnet may not move but may extend its diagnostic table, the patient lies on the diagnostic table, imaging is performed, no need to do intervention is found, the patient exits the diagnostic table and the magnet moves back into the holding bay, ready for use by one of the other rooms. The magnet then may draw in its
20 table, rotates to the doors for that room, and the process for the other room begins. In this case, the magnet does not move in a translational direction, such as on rails, but simply rotates to face one room and then the other room.

The system can be used with a two room system with the two rooms facing at an angle to each other (for example, 90 degrees). In this case, the magnet both rotates and
25 translates. There is a central magnet holding room, with doors in each of the two 90 degree directions, and the magnet can rotate its diagnostic table in whichever direction is required, or can rotate to allow the opposite end of the magnet to enter the room first. This approach allows existing diagnostic functionality and applications to be used in either room, or allows both rooms to serve as intra-operative rooms without any significant change to magnet
30 controls and monitoring. This two room corner system cannot be done without a rotating magnet.

The system can be suspended from the ceiling or mounted on a floor mounted bearing, with either system providing rotation of the magnet. The MRI system may also be suspended from the ceiling on rails, such that it can also be translated in space using the rail system. The rotational mechanism can either be located between the magnet and the rails, or above the rails. The below track and above track rotators have different properties for different configurations. The below track rotator allows for easiest upgrade of existing sites, whereas the above track rotator works like a roundhouse in a railway yard, in that the rail, MRI system and all associated systems are rotated.

Turning now to the arrangement shown in Figures 1 and 8 including the X-Ray system which cooperates with the moving magnet described above, the system consists of the movable magnet integrated with an X-Ray system such that the patient can be imaged by either modality on the same table. The patient does not move from the table.

The MR is a high-field (e.g. 1.5T or 3T) magnet that moves on overhead rails between the two or more rooms as described above. In the system described, one or more of these rooms contains an X-Ray system, either a single-plane or a bi-plane. When the magnet is moved out of the X-Ray examination room and a set of RF and X-Ray shielded doors is closed, the examination room functions as a conventional X-Ray lab and can be used with conventional equipment. In particular, X-Ray guided interventions and surgeries may be performed.

The arrangement may be used in a typical three room configuration with the Angiography Room (AR) on the left, a Diagnostic Room (DR) in the middle, and an Operating Room on the right. The magnet moves on overhead rails between the rooms and can image in each.

When MR imaging is required, the X-Ray equipment is safely stowed, the doors open, and the magnet is brought into the room over the patient on the table. The RF shield encompasses the AR so all the equipment in the X-Ray examination room is made RF-quiet to prevent distortions from noise or interference with the MR imaging. MR imaging can then be performed. Afterwards, the magnet is removed from the room, the doors closed, and the X-Ray equipment is returned to its working position.

The MR scanner is used to provide information complementary to that obtained using X-Ray. It can be used, for example, to perform a baseline assessment prior to intervention as well as to perform a post-intervention assessment. The same applies for

surgeries. Such an assessment may include perfusion and viability studies of, for example, the heart or of the brain.

As example workflows for the system, consider elective procedures and emergency cases, such as acute stroke or acute coronary syndromes.

5 In the Elective Procedure Workflow, a preliminary, baseline MR scan can be obtained with the patient either in the diagnostic room or in the angiography room housing the X-Ray equipment (also known as the Angio room or AR); this is basically a pre-procedure MR scan. The objective is to measure baseline parameters that are clinically relevant. For a cardiac procedure, this may include baseline cardiac function and
10 myocardial viability.

After the MR scan, the patient is transferred to the angiography room if MR imaged in the diagnostic room, or simply remains on the table if already in the Angio room, where coronary or cerebral angiography and angioplasty, followed by stent placement are conducted, if required, in the customary fashion under X-Ray fluoroscopy.

15 The MR Scanner magnet enters the angiography room and acquires the appropriate MR images. After reviewing the MR data and possibly correlating with the X-Ray data, the interventionist can either discharge the patient or continue treatment.

In the emergency Case Workflow, the patient is admitted and undergoes preparation in the Emergency room (both groins shaved, screening for MR examination, metal check, etc.). The patient is brought to AR (in the case of an acute myocardial infarction diagnosed by ECG) and vascular access via the groin is established. MR Imaging could take place in the AR for baseline assessment in order to minimize movement of the acute patient. The scanner is brought into the AR for MR measurement of baseline cardiac function and perfusion imaging in a cardiac case. In the case of stroke, the MR images will
20 reveal if interventional therapy is indicated. In both cases, MR baseline imaging is completed and processed in a minimum time period. In both stroke and cardiac patients angiography and intervention (angioplasty, thrombectomy, or delivery of clot-busting drugs at the site of occlusion) are performed in the customary fashion, under X-Ray fluoroscopy, if
25 so indicated.

30 The MR Scanner is brought into the AR for subsequent MR images acquisition. After reviewing the MR images and possibly correlation with the X-Ray data, the interventionist will discharge the patient or continue with treatment.

In the arrangement for moving the X-Ray system as shown in Figures 1 and 9 the MR enters the X-Ray examination room and moves over the head end of the table 10. Since the path of the MR may pass right through the location of the C-arm stands, the latter must be moved before the magnet may enter. Depending on need, a floor-mounted C-arm stand may be moved on floor rails, floor turntable, or a boom mounted on the floor or wall. Depending on need, a ceiling-mounted C-arm stand may be moved using extended rails to park it at the foot end of the table, by mounting the stand rails on a platform suspended from the movable magnet rails or independent rails, or by fixing the stand rails on a platform with a telescopic arm to move them laterally.

Using a solution to move a floor-mounted stand together with a mover for a ceiling mounted stand provides a mechanism to move a bi-plane system. The mover can provide a mounting position of the single plane or bi-plane at some non-zero angle to the MR rails, e.g., 90 degrees.

The Patient Handling System or support table is shown in Figures 2 to 7 as indicated generally at 10. The patient support table includes a base 11 of a conventional construction which allows the base to move a patient support portion 12 to required locations in height and in orientation. Suitable drive mechanisms and couplings are known in the art and thus are not required to be described herein. At the top of the base 12 is mounted the patient support portion in the form of a generally planar body 12 formed of a fiber reinforced plastics material so as to define a surface area sufficient for supporting the patient while lying on the patient support portion. Thus as best shown in Figure 5, the patient support 12 includes a rear edge 13 at or beyond the feet of the prone patient together with two side edges 14 and 15 spaced by a distance sufficient to receive and contain the legs, body and arms of the patient to be supported by the support portion. At a forward end 16 is provided a forwardly extending narrower portion 17 for underlying the head of the patient. Thus the width through the side edges 14 and 15 is substantially constant up to the edge 16 where the support portion narrows in width generally at a location adjacent the shoulders of the patient to provide a narrower plate portion 17 of sufficient width for generally supporting the head of the patient.

On top of the patient support portion 12 is provided a mattress 18 which is shaped to overlie the patient support portion 12. Thus the mattress has a rear edge 19 which is located at the edge 13 of the portion 12 and two side edges 20 and 21 which are

adjacent the side edges 14 and 15. A step portion 22 is provided in the mattress where the mattress increases in width. Thus the sides include side portions 20A and 21A of reduced width which are located at the positions intended to be inserted into the cylindrical bore of an MRI magnet. The wider portions of the mattress beyond the step 22 are generally intended to remain outside the magnet bore so that these portions can be of increased width allowing more stability for the patient. The portion to be inserted into the bore is cantilevered forward from the base 11 so that the whole of the base is located beyond the step 22 within the area of the wider part of the mattress.

The structural support for the patient is provided by the support portion 12 which is formed of a fiber reinforced resin material where the fibers are laid in sheets and infused by the resin material to provide a flat structural member of sufficient strength to carry the weight of the typical patient. In order that the patient support portion be formed of a material which does not interfere with the operation of the magnet or the generation and acquisition of the necessary signals used in magnetic resonance imaging, the fiber reinforcement selected for use in the structure of the portion 12 is a fiber which has sufficient strength to provide the necessary resistance to bending but a fiber which is non-electrically conductive. Thus carbon fibers cannot be used since long carbon fibers generate or allow currents to flow within the structure of the portion and such currents will interfere with the necessary signals. The currents are generated by the high magnetic fields within the magnet and by the electro magnetic signals which are generated within the magnet for use in the magnetic resonance imaging. Typically aramid fibers such as Kevlar (TM) can be used in replacement for the carbon fibers typically used in such structures.

The mattress is formed of a stiff foam material encased by a skin to provide an exterior surface which is resistant to fluids and can be readily cleaned for sterilization to be used in clinical situations. The mattress extends from a step 22 through to a forward edge 25 located at the end edge 16. The mattress does not include a portion extending beyond the end edge 16 into the area of the plate 17.

The mattress is formed in two layers of formed material to provide a typical thickness of the order of two inches. The second or lower layer of foam is omitted in the area between the end edge 25 and a location 26 to define a receptacle 27 within the mattress at the upper surface of the portion 12. On top of the receptacle is provided a second layer of foam material so that the receptacle is spaced from the body of the patient

by a layer of foam, albeit a thinner layer of foam so that the patient is comfortably supported throughout the full length of the patient despite the presence of the receptacle underneath the chest area of the patient.

As shown in Figure 7, the receptacle 27 can be filled by an insert portion 28
5 formed of the same foam material with a covering skin. The portion 28 is shaped to fill the receptacle so that it is rectangular with two parallel sides allowing to slide between the edge 25 of the receptacle and the end 26 of the receptacle. The sides of the insert portion 28 carry hook and fastener connection strips 29 which cooperate with similar strips 30 on the edge 26 and on a depending flap 31 at the end 25. In practice the Insert piece 28 can be
10 inserted into place when the patient is removed since the table is to be set up for imaging either the head or the chest of the patient and in the case where the imaging is to be of the head, the chest coil is omitted so that in this case the insert piece 28 is placed onto the support portion 12 and the mattress placed on top of it.

When the imaging is to be of the chest, the anterior chest coil 31 is arranged
15 to be placed on top of the chest of the patient when in place for imaging on the mattress and also the posterior coil 32 is arranged to be inserted into the receptacle 27. In order to protect the coil 32 and in order to ensure that the mattress remains properly flat over the receptacle 27, a flat rectangular sleeve 33 is provided which is inserted in place under the mattress when the coil 32 is to be used. Thus when the table is set up for the imaging of the
20 chest, the insert piece 28 is omitted and in its place the sleeve 33 is inserted. This allows the posterior coil 32 to slide into place through a slot shaped opening 34 in one side of the sleeve 33 at the side of the mattress 18. The coil 32 is shaped to fit simply as a sliding fit into the interior of the sleeve. Thus when it is intended to carry out magnetic resonance imaging, the posterior coil 32 can simply slide into place allowing the patient and the
25 cantilever portion of the table to slide into the magnetic bore to carry out the imaging.

When the imaging is complete and the patient is to be imaged by an X-Ray system, the coil 32 can simply be removed by pulling the coil out of the opening 34 of the sleeve 33. The anterior coil 31 can also simply be removed from the top of the patient chest so that all coil portions are removed from the table allowing X-Ray imaging to be carried out
30 without any interference from any metal components in the table.

As best shown in Figure 3, the cable from the coil 32 which transmits the received signals to the control system of the magnetic resonance imaging apparatus is

shown at 36 and is arranged on the coil at the forward end of the coil exiting from a front surface 32A of the coil immediately adjacent the side surface 32B of the coil. Thus the cable 36 extends at this position forwardly from the coil 32. The sleeve 33 has a slot 33A located in the front surface 33B of the sleeve adjacent the opening 34. This allows the coil to be inserted through the opening 34 with the cable 36 and its innermost end 36A extending through the slot 33A and thus extending forwardly from the coil and forwardly from the sleeve 33. The cable thus emerges beyond the end 25 of the mattress 18 and no part of the cable extends beyond the side edge 20A of the mattress 18. The cable 36 can thus be laid so that it extends beyond the end 25 whereupon it curves upwardly and rearwardly to form a cable portion 36B passing over the shoulder of the patient and along the body of the patient at a junction between the arm and body of the patient to a position beyond the arm where the cable includes a portion 36C lying over the mattress and particularly the wider part of the mattress beyond the shoulder 22. In this way the cable can be directed so that it is properly controlled and laid in position by the operators prior to the imaging process taking place. The cable is properly managed as it passes over the patient and the cable has no possibility of falling outwardly in an uncontrolled manner from the table. No part of the table projects beyond the sides of the mattress and the support portion 12 so that these can be of the maximum dimension allowable to enter the bore of the magnet.

The table further includes arm engagement members 40 and 41 arranged to contain the arms of the patient to ensure that they are retained on the mattress and cannot fall to the sides as the patient resides on the support during the imaging process. Even though the table remains stationary during the imaging both by the magnetic resonance imaging system and by the X-Ray system, it is necessary to confine the patient so that the patient cannot move side to side and cannot drop one arm to the side of the table during the imaging process.

The arm engagement members best shown in Figure 5 include a generally upstanding board 42 which has a length from a rear end 43 to a forward end 44 which is sufficient to extend along substantially the whole of the arm of the patient from the hand to the shoulder. The board is contoured with a generally upstanding portion and an upper portion which is inclined inwardly and upwardly so as to form a slight channel shape better confining the arm of the patient. The board is attached to a mounting plate 45 which is a flat

plate with side edges 46 and 47 and an inner edge 48. The plate 45 includes an upturned flange portion 49 standing upwardly from the plate and having a length equal to the length of the plate between the edges 46 and 47. At the top of the flange portion 49 the board 42 is attached as an integral connection but the board extends from the flange 49 forwardly to the forward edge 44. Thus the plate 45 is restricted to a distance so that the front edge 47 is recessed from the front edge 44 of the board. The length of the plate 45 is such that it can be inserted underneath the patient between the mattress and the flat support 12 so that the plate is pinched by the weight of the patient holding the board in place against movement longitudinal or outward to the side. The length of the mounting plate 45 however, is restricted so that it terminates at a position just beyond the edge 26 of the mattress so that the plate does not extend under the sleeve 33 or into the area of the coil 32. Thus the arm support board 42 is cantilevered forwardly from this plate and the plate itself does not enter into the area of the imaging defined by the coil. Of course the coil is located at the required position for the part of the patient in the chest to be properly imaged both in the magnetic resonance imaging system and in the X-Ray system.

When the coil 32 is removed, the arm boards remain in place so that the patient can remain lying in place on the mattress and the patient remains confined by the arm engagement members 40 and 41 as the magnet is removed and the X-Ray system is moved into place. The X-Ray process can therefore take place and therefore the boards hold the patient in place while the mounting plates 45 are located at a position which does not interfere with the X-Ray process. As shown in Figures 3 and 5, during X-Ray imaging of the chest the head of the patient is simply supported on a mattress extension portion 50 which is carried on a plate portion 51. This plate portion has a width slightly less than the width of the support portion 12. Thus the plate portion 51 includes a rear edge 51A and a parallel front edge 51B. The plate portion also includes one side edge 51C on the side opposite the cable 36. At the cable 36, the plate provides a side edge 51D which includes a recess 51E into which the cable 36 is inserted. The mattress portion 50 also includes a rear edge 50A coincident with the edge 51A. The mattress portion 50 also includes a front edge 50B coincident with the edge 51B and side edges 50C and 50D coincident with the side edges 51C and 51D. Again therefore the mattress portion includes a recess 50E into which the cable is inserted. The plate 51 is carried on a pair of guides 52 and 53 which form a slot for sliding over the plate portion 17 at the side edges thereof. Thus the plate 51 slides over

the top of the plate portion 17 and is held in place by the slot guides on the underside together with a screw clamp 54 which pinches the edge of the plate portion 17 to ensure that the support plate 51 remains in place at the end of the mattress. The mattress portion 50 is then placed on top of the plate portion 51. The mattress 18 and the mattress portion 50 are conveniently held in place by hook and loop fastener strips 56 located at suitable locations on the parts of the support 12 on which they are mounted. The mattress is thus properly held in place allowing the patient to be moved on top of the mattress without the danger of the mattress sliding to one side. Thus as shown in Figure 3, when the imaging is carried out at the chest area, the heads of the patient simply rests upon the mattress portion 50 which may be supplemented by a cushion or other comfort receptacle as required.

Turning now to Figures 6 and 7, the table is shown in these figures configured for imaging of the head. During the imaging of the head, the chest coils are of course fully removed. In addition the plate 51 and the mattress portion 50 are also removed allowing a more effective and accurate supporting of the head for imaging of the head. Thus there is provided a head support generally indicated at 70 and a head coil 71 including an anterior portion 72 and a posterior portion 73. The head support 70 comprises a channel member 74 which is shaped to receive the rear of the head of the patient and hold this supported at all times during the imaging process. The head support 74 comprises a simple channel or it can comprise a flexible receptacle portion with strapping to hold the head more effectively in place. Either type of head support is mounted on a bracket 75 carried on a slot shaped mounting member 76 with bottom slot portions 77 and 78 which engage onto the edges of the plate 17 in the same manner as previously described in respect of the plate 51. Thus the slot shaped mounting member 76 slides into place and can be fastened in place by a fastening screw 79. When in place, a front edge 80 of the mounting 76 butts against the edge 16 of the support 12 at the bottom of the plate portion 17. The channel member 74 is thus cantilevered forwardly from the mounting brackets 75 to a front edge 82 spaced forwardly of the bracket and forwardly of the edge 16 to a position overlying the plate 17 but spaced upwardly from the plate 17.

The posterior coil portion 73 includes a curved upper surface 73A which follows approximately the outer surface of the channel member 74 so that it can pass over the underside of the channel member 74 in a sliding action longitudinally of the head of the patient.

It will be appreciated that the shapes of the surface 73A and the bottom surface of the channel 74 need not be closely accurate provided the shapes provides sufficient clearance to allow sliding action to occur. However it is preferred that the coil be as close as possible to the rear of the head of the patient so that the channel member 74 is formed of a thin material sufficiently strong to support the weight of the head and the surface 73A is closely adjacent the rear surface of the support channel 74.

The posterior coil 73 is carried on a support bracket 85 which also includes a slot shape mounting 86 for sliding onto the plate portion 17 at a position beyond the mounting 75 and its slot shaped mounting portion 77. As best shown in Figure 6, therefore, the head support channel 74 is located inside the posterior coil 73 and the mounting brackets 75 and 85 are arranged so that they both fit onto the plate 17 with the mounting bracket 85 in front of the bracket 75. Thus the bracket 75 can remain in place and the support 73 can hold the head of the patient while the posterior coil portion is moved into place or is removed from place.

The anterior coil portion is mounted on the posterior coil portion so it can slide into place as a common structure or it can be removed and placed onto the posterior coil portion when the posterior coil portion is already installed.

As shown in Figure 7, there is a sliding interconnection between the rear surface of the posterior coil 73 and the top of the bracket 85 allowing the posterior coil to be removed from the bracket.

The patient handling system thus contains the following key components: the patient table 11, the head holder 73, and MR imaging coils. The system, including integration of the key components, is specially designed to permit imaging with both MRI and X-Ray imaging modalities, while maintaining sufficient image quality and workflow.

The patient table is designed to allow the patient to be scanned with both MR and X-Ray imaging modalities. The patient table is comprised of two major components: the table pedestal and the tabletop. The tabletop is fully MR and X-Ray compatible; the table pedestal does not adversely impact image quality during MR scanning (i.e. does not impact homogeneity of magnetic field), the pedestal also does not experience significant forces from the magnetic field. The tabletop is positioned so that the table pedestal (which is also not X-Ray compatible) is at a distance that is sufficiently away from the imaging site. The tabletop integrates the head holder, arm boards and MR imaging coils.

The head holder supports the patient's head during the procedure and must also be MR and X-Ray compatible. The head holder integrates into the patient table in a manner that is very efficient to position and remove. The MR imaging head coils may also be integrated with the head holder and are easily positioned and removed at the imaging site.

The MR imaging coils consist of head coils (for imaging the head and upper spine), as well as coils for imaging other areas of the body (e.g. cardiac coils for imaging chest). MR coils are not X-Ray compatible and thus are positioned and removed from the imaging area when switching between imaging modalities without having to move or interfere with the patient. An example is the MR coils used for cardiac imaging, which consist of an anterior (placed on top of the patient's chest) and the posterior coil (placed underneath the patient's back). The anterior coil can simply rest on the patient; the posterior coil is integrated into the tabletop in a variety of options: underneath the tabletop, within the structure of the tabletop, or on top of the tabletop, which also includes integrating the posterior coil into the tabletop mattress. All of these methods are designed such that the coils are easily and efficiently positioned and then removed from the imaging area.

During certain medical procedures, both X-Ray and MR imaging modalities may be employed, at separate times during the procedure. Since MRI coils are not X-Ray compatible, it is necessary to position and remove the coils quickly and easily when switching between MRI and X-Ray imaging. For cases where it is necessary to keep the patient in a fixed position during the procedure, the imaging coils must also be positioned and removed without moving or shifting the patient in any way. For example, cranial procedures will employ the head holder to secure the head of the patient during the entire procedure. The MR imaging head coils will be easily positioned around the head holder without moving the head holder or the patient's head in any way. A second example is procedures requiring chest/abdominal imaging. The anterior coil may be positioned on top of the patient; the posterior coil is positioned into a slot or cavity in the table top mattress, the tabletop itself, or below the tabletop. All methods of positioning the posterior coil maintain a constant position for the patient.

The patient table consists of a table top that is completely MR and X-Ray compatible. The tabletop also enables the integration of various MR imaging coils, such as head coils and cardiac coils, with the special feature of positioning and removing the coils

without moving or shifting the patient in any way. Coil integration can involve a slot or cavity within the tabletop itself, or within the tabletop mattress. Alternatively, the coils can also be positioned underneath the table, through a mounting bracket or shelf component.

5 A special cavity insert device is also included to fill the void in the tabletop or mattress when the MR imaging coil is not in place; this provides additional structural strength.

10 There is provided reinforcing material around the coil cavity in the table/mattress to provide for extra rigidity when switching between the imaging coils and the cavity insert. Alternatively, the cavity may be lined with an inflatable pocket that upon inflation lifts the patient enough to easily insert and remove the coil to replace with cavity insert. The tabletop also includes a means of easily positioning and removing the head holder; this includes a ridge or ledge around the head end of the tabletop, where the head holder may slide on with a dovetail interface. The imaging head coils also are integrated to the table in this fashion.

15 The head holder and table adapter assembly include the head holder that secures the head during the procedure and also a table adapter that secures the head holder to the patient table and also provides a means of adjusting the position/orientation of the head holder. The entire assembly is completely MR and X-Ray compatible. There are various means of securing the patient's head, including a horseshoe head holder, a sling/suspender head holder, and a head cradle. The horseshoe head holder includes a rigid frame that is cushioned by gel, foam, or air inflated pillows; the sides and top of the patient's head may be supported by a strap or by side cushions. The frame may also be adjustable for accommodating a large range in head sizes. The sling/suspender head holder consists of soft material (e.g. fabric) that is shaped into a sling to support the back and sides of the head. The top of the head may be supported by a fabric strap; foam padding may insert between layers of material in the sides of the sling to cushion the head where the table adapter interfaces to the sling/suspender head holder. The head cradle is a scoop-shaped device that cradles the head and neck of the patient and includes foam or inflatable air pillows to cushion the back of the patient's head (for comfort) and also preventing the patient from moving the head from side to side. One additional feature of the inflatable pillow is that the pillow may be deflated to bring the head down slightly so that it is even closer to the portion of MR imaging head coil that is positioned directly underneath the

20
25
30

head of the patient, which will increase MR image quality. The table adapter may interface to the head holder at various orientations, such as at the front of the head holder (closest to the patient's head), at the back of the head holder (furthest from patient table), along the sides of the head holder, or along the top of the head holder.

5 Turning now to Figures 8 and 9, there is shown schematically the apparatus for imaging of a part of a patient which may be the head, chest or other parts of the patient as required.

 The apparatus includes the patient support table 10 as previously described. This includes the upper patient support portion 12 on which the patient can lie with the part
10 of the patient exposed for imaging mounted on the table support base 11 which is mounted in fixed position in the imaging suite.

 The table can be for example of the type manufactured by Siemens which includes a main base 11 and an upper movable section 11A carried on the base which can be moved side to side, front to rear and can be tilted about longitudinal and transverse axes.
15 The movable section 11A carries a replaceable table top 11B which can be selected from different designs depending upon the intended use of the system. The details of this table system are known to persons skilled in this art do that no further explanation is required.

 The magnetic resonance imaging system is also known and a system manufactured by IMRIS is available for this purpose. The magnetic resonance imaging
20 system includes, as is well known, the magnet for use with a control system 3A for controlling and varying the magnetic fields and includes a radio frequency transmission and detection system for eliciting and detecting from the part of the patient nuclear magnetic resonance signals, in response to the magnetic fields, including RF coils 31 and 70 as previously described arranged to be located adjacent to the part of the patient.

25 The control unit 3A includes a computer and a display monitor 3B for decoding and displaying an image obtained from the detected signals.

 The magnet is of the type including a coil 3C surrounding a horizontal axis and defining a cylindrical bore extending between axial ends of the coil of the magnet with an imaging zone part way along the bore between the ends.

30 The upper patient support portion 11B of the patient support table is cantilevered from the table support base 11 in a direction longitudinal of the axis so as to

extend into the bore from one end of the magnet to the imaging zone when the magnet is on the imaging position shown at 3D in Figure 8A.

The magnet 3 is mounted on a magnet support 3G so that the magnet is movable longitudinally along its axis between the magnetic resonance imaging position 3D in which the magnet bore surrounds the patient support portion while the patient support portion remains supported on the table support base 11B and a retracted position 3E and a remote park position 3F outside the doors 2 into the room 1A. In the remote park position, the magnet is removed from the upper patient support portion 11B by a distance such that the upper patient support portion 11B is out of the strong magnetic field of the magnet. Although the cylindrical magnet which moves along its axis is preferably used, other types of magnet and other moving directions may also be used in some arrangements (not shown).

The X-Ray imaging system 4 includes two X-Ray systems 4X and 4Y which are typically arranged in a bi-plane arrangement as is well known. Each includes an X-Ray source 4A, an X-Ray receptor 4B mounted on an X-Ray support base 4Z defining an imaging zone. The source and the receptor are mounted on a common mounting member carried on the X-Ray support base and moveable relative thereto for adjusting the relative positions of the patient support table and the X-Ray imaging zone for imaging selected parts of the patient. The X-Ray system is again well known to a person skilled in the art and a suitable system is available from Siemens so that no further details are required.

The X-Ray imaging system and the patient support table are mounted for movement either the table or the X-Ray system such that the upper patient support portion 11B of the table can carry the patient and can cooperate with the magnet during magnetic resonance imaging and can cooperate with the X-Ray imaging system during X-Ray imaging.

The system can be used to image in the MR system different parts of the anatomy. This could be done in two ways; either move the patient support in the bore or fix the patient support and stop the magnet at different points in the room.

The room 1 containing the patient support table and the X-Ray imaging system has doors 2 through which the magnet 3 can pass and the magnet support 3G is arranged to move the magnet to a position outside the doors and into the room 1A for storage or for use in other suites, when magnetic resonance imaging is complete.

The relative movement of the table relative to the X-Ray system can be carried out in two different ways.

In Figures 8A and 8B, the table moves through 90 degrees to a position shown at 11G in Figure 8B where the table cooperates with the X-Ray system 4 including the floor mounted first system 4Y and the overhead mounted rail system 4X. The systems 4X and 4Y can be moved from a park position into operating positions to carry out the imaging. The table can be moved to a required position relative to the systems 4X and 4Y to effect accurate control of the location of the imaging on the patient on the table.

In Figures 11A and 11B an alternative arrangement is shown in which the table 11 remains at a position generally aligned with the axis of the magnet and instead the X-Ray system 4X and 4Y is moved. Thus the system 4Y includes a support base 4C which is moveable on a pivot arrangement relative to the patient support table 11 between an imaging position 4D shown in Figure 11B in which the patient support portion is located in the imaging zone of the X-Ray imaging system and a remote position 4E shown in Figure 11A in which the X-Ray imaging system is removed from the table a distance such that the magnet can be moved to the imaging position of the magnet. This movement can be obtained by mounting the conventional X-Ray system on an arm 4G which pivots on the base 4C about a vertical axis 4F on one side of the table. Thus the movement acts to move the X-Ray system to a position at the table in one position of the arm 4G and moves the system to a position at maximum spacing from the table to one side of the table at 180 degrees to the arm position.

Thus the X-Ray support base is movable in a direction generally to one side of the longitudinal direction of the table 11. The X-Ray system as shown includes 4X mounted in a bi-planar arrangement with the first system 4Y. The system 4Y is mounted on overhead rails 4H to carry the system 4X longitudinally along the table in the direction opposite to movement of the magnet. Other systems not shown may include further X-Ray planes.

Turning now to Figure 10, the table 10 includes the base portion 11 and a horizontal patient support portion 11A of the patient support table which is mounted for adjustable movement relative to the table support base for use in moving the patient for X-Ray imaging. Thus the base includes controls 10A which are manually operable by the user

to move the table side to side and front to rear over limited distances and to tilt the table about the longitudinal and transverse axes.

The upper patient support table includes a removable portion 11D which is removable from the table support base which includes registration members 11B which
5 allow engagement of the table top 11D onto the base which is configured to match the registration members. Thus the base and the top are arranged to ensure that only MR compatible table tops are used to avoid any possibility of a mistake so as to prevent use of an upper patient support portion which is incompatible with the magnetic field. The arrangement of registration members can of course vary and as shown they include a series
10 of pins on the base which must be received in suitable openings 11D in the removable top. Other table tops which are not suitable for the combined MR and X-Ray system, but may be available in the facility where the system is installed for use on other similar systems, cannot be mounted on the base because they do not include the registration holes.

The patient support table 11 has side rails 11X and 11Y on respective sides
15 of the table top which are provided to receive and support accessories 11Z. The rails are movable longitudinally of the upper patient support portion but are limited in movement by fixed stops such that their ends 11S are prevented from entering the magnet when the magnet is in the imaging position 3D. Thus a stop arrangement 11R is provided which limits the forward movement of the rail when the magnet is brought up to the imaging position over
20 the table.

Turning now to Figure 9, there is provided a safety control system 90 for controlling movements of the magnet 3 through a magnet mover system 91, the patient support table 10 through a table control 92 and the X-Ray imaging system through as system controller 93. The system 90 also controls the position of booms 94A for auxiliary
25 equipment 94B such as monitors (shown in Figure 8) through a controller 94. The doors 2 are actuated by a controller 95 operated by the system 90. The system includes inputs from position sensors 96 for the X-Ray system 4 and sensors 97 for the magnet 3. The system 90 also actuates an X-Ray shut down controller 98 which activates a shut down mode of the X-Ray system. The system also includes a status display 99 which includes, for example,
30 LEDS 100 to 104 which display respectively as follows: 100--magnet movement enabled; 101 - X-Ray system operation enabled; 102 - X-Ray and table in park positions; 103 - table movement enabled; 104 - X-Ray system powered down by the shut down controller 98.

The safety control system is programmed with the following functions:

1. It acts to control movement of the magnet and particularly to prevent forward movement of the magnet into the room in the event that the patient support table and the X-Ray imaging system are not in a park position.

5 2. The underlying concept is that the safety system prevents putting the system in a dangerous state where the X-Ray, MR and related and other components such as the booms that contain the monitors are physically moved to positions where they may interact. That is the safety control system is arranged to prevent dangerous configurations of equipment; for example the C-arms of the X-Ray system being located in a high magnetic
10 field.

3. The system can be used to actively cause the X-Ray system to move into parked position as the magnet comes forward.

4. It acts to operate forward movement of the magnet up to a halt position 3E spaced from the end of the upper patient support portion of the patient support
15 table at which the magnet automatically is halted. At this position the table can be adjusted manually and checked by the operator to ensure that the table is in an accurately required position. Thus minor adjustment of the table to orient the table within the bore can be effected although larger adjustments to a position which would cause impact of the table and magnet can be prevented. Thus the magnet is brought up to the halt position close to
20 but spaced from the table where the final adjustments can be made of the patient, the RF coils 31 can be connected to the terminals 31A provided on the magnet and the table orientation can be finely adjusted. When this is completed, the magnet is moved forwardly to the imaging position.

5. It acts to prevent the patient support table from adjusting the upper
25 patient support portion when the magnet is moved forwardly of the halt position so that movement of the table is fixed and turned off when the magnet is in the magnetic resonance imaging position.

6. It acts to power down the X-Ray imaging system through controller 98 sufficiently to reduce RF noise during the MRI by removing power to all components within
30 the room with the exception of those necessary to maintain temperature control of X-Ray receptors of the X-Ray imaging system.

7. After the imaging is complete, it acts to operate retraction movement of the magnet up to a halt position spaced from the end of the upper patient support portion of the patient support table at which the retraction movement automatically is halted. At this position the patient can be checked and the RF coils can be disconnected from the terminals 31A to ensure that the magnet is free to be removed through the doors 2.

8. It ensures that the magnet is fully removed and the doors closed before the X-Ray equipment can be moved from its park position.

9. It provides a status display for an operator which includes indication of:

Enablement of movement of the magnet;

The X-Ray imaging system and patient support table being in park position;

Enablement of movement of the X-Ray imaging system;

Enablement of movement of the patient support table;

The X-Ray imaging system being powered down to reduce RF noise during the MRI.

Therefore in general, a safety system is provided for the safe and effective integration of the two modalities. There are a number of hazards in the AR, such as: collision with moving stands, table, and MR; ferrous objects being drawn into magnet bore; and unwanted radiation exposure.

The global safety system is responsible for a number of aspects of the system:

Motion of the C-arms is disabled when unsafe to do so.

Motion of the table is disabled when unsafe to do so.

Forward travel of the MR is disabled when unsafe to do so.

The path from the magnet's home position in the DR to its imaging position in the AR is divided into three zones:

Far Zone: the magnet and the C-arms are far enough apart that each may operate independently without safety concern. The patient table may move freely.

Near Zone: the magnet is close enough to the C-arms that the C-arms must be safely parked and not move. The patient table may move freely.

Table Zone: the magnet is over the table, or nearly so. The C-arm stands must be safely parked and not move. The table must be in the correct position for MR imaging and must not move.

5 In the Near Zone, the C-arm stands must be safely parked and not move. If this is not the case, forward motion of the MR is interrupted, preventing the MR from entering the Near Zone. Similarly, at the transition between the Near and Table Zones the condition that the table must be in the position for MR imaging (i.e. at correct height and lateral position to enter the magnet bore) is checked. If the table is not in the correct position, the magnet may not move forward into the zone.

10 The ESCP (Equipment Safety Check Point) and PSCP (Patent Safety Check Point) divide the path into three zones: Far, Near, and Table. Interlocks prohibit the magnet from advancing into a zone if it is unsafe to do so.

The safety system controller communicates with the movable magnet controller, the RF door controller, the X-Ray equipment and the patient table, as shown in 15 Figure 1. The signalling includes the following information:

The moveable magnet controller sends the magnet zone and receives a signal indicating whether forward travel is permitted.

The door controller sends a signal indicating whether the door is open or closed.

20 The X-Ray controller sends information on the location of the C-arm stands and table position, and receives signals indicating whether stand motion or table motion is permitted.

CLAIMS:

1. Apparatus for imaging of a part of a patient comprising:
a patient support table, the patient support table comprising;
a table support base for mounting in fixed position in an imaging suite;
5 and an upper patient support portion on which the patient can lie with
the part of the patient exposed for imaging;
the upper patient support portion being mounted for controlled
movement thereof relative to the table support base;
a magnetic resonance imaging system for obtaining images of the part of the
10 patient, the magnetic resonance imaging system comprising:
a magnet for use with a control system for controlling and varying the
magnetic fields,
a radio frequency transmission and detection system for eliciting and
detecting from the part of the patient nuclear magnetic resonance signals, in response to the
15 magnetic fields, including RF coils arranged to be located adjacent to the part of the patient;
and a computer and display monitor for decoding and displaying an
image obtained from the detected signals;
the magnet defining a coil surrounding a horizontal axis and defining a
cylindrical bore extending between axial ends of the coil of the magnet with an imaging zone
20 part way along the bore between the ends;
wherein the magnet is mounted on a magnet support arranged so that the
magnet is movable longitudinally along its axis between a magnetic resonance imaging
position in which the magnet bore surrounds the patient support portion while the patient
support portion remains supported on the table support base and a remote position in which
25 the magnet is removed from the upper patient support portion by a distance such that the
upper patient support portion is out of the strong magnetic field of the magnet;
and an X-Ray imaging system comprising:
an X-Ray source;
an X-Ray receptor;
30 the X-Ray source and the X-Ray receptor being arranged to define an
imaging zone;
an X-Ray support base;

the source and the receptor being mounted on a common mounting member carried on the X-Ray support base and moveable relative thereto for adjusting the relative positions of the patient support table and the X-Ray imaging zone for imaging selected parts of the patient;

5 the upper patient support portion of the patient support table being cantilevered from the table support base in a direction longitudinal of the axis so as to extend into the bore from one end of the magnet to the imaging zone and also be used with an X-Ray tube under the upper patient support and a detector above the upper patient support;

10 the X-Ray imaging system and the patient support table being mounted for relative movement of one relative to the other such that the upper patient support portion can cooperate with the magnet during magnetic resonance imaging and can cooperate with the X-Ray imaging system during X-Ray imaging.

2. The apparatus according to Claim 1 wherein there is provided a room
15 containing the patient support table and the X-Ray imaging system, the room having doors through which the magnet can pass and wherein the magnet support is arranged to move the magnet to a position outside the doors when magnetic resonance imaging is complete.

3. The apparatus according to Claim 1 or 2 wherein the X-Ray support
20 base is moveable relative to the patient support table between an imaging position in which the patient support portion is located in the imaging zone of the X-Ray imaging system and a remote position in which the X-Ray imaging system is removed from the table a distance such that the magnet can be moved to the imaging position of the magnet.

4. The apparatus according to Claim 3 wherein the X-Ray support base
is movable in a direction generally to one side of the longitudinal direction of the table.

25 5. The apparatus according to any one of Claims 1 to 4 wherein there is provided at least one further X-Ray imaging system for cooperation with the first in, for example, a bi-plane configuration.

6. The apparatus according to Claim 5 wherein the X-Ray imaging
30 systems are movable relative to the patient support table and wherein one of the X-Ray imaging systems is movable in a direction generally opposite to the other. [Gord: not sure what this means]

7. The apparatus according to Claim 6 wherein one X-Ray imaging system is mounted on floor and the other X-Ray imaging system is mounted from an overhead support.

5 8. The apparatus according to Claim 7 wherein the other X-Ray imaging system includes overhead rails which are moved in a direction toward one side of the table.

9. The apparatus according to any one of Claims 1 to 8 wherein the X-Ray imaging system is mounted on a pivot for movement relative to the patient support table.

10 10. The apparatus according to any one of Claims 1 to 9 wherein the patient support table rotates about a vertical axis from a first angular position for cooperation with the X-Ray imaging system to a second angular position for cooperation with the magnet.

11. The apparatus according to Claim 10 wherein the patient support table rotates about through an angle of the order of 90 degrees.

15 12. The apparatus according to any one of Claims 1 to 11 wherein the patient support portion of the patient support table is mounted for adjustable movement relative to the table support base for use in moving the patient for X-Ray imaging and wherein the movement is fixed and turned off when the magnet is in the magnetic resonance imaging position.

20 13. The apparatus according to any one of Claims 1 to 12 wherein the upper patient support portion is removable from the table support base and wherein the table support base includes registration members which allow engagement thereon only of an upper patient support portion which is configured to match the registration members so as to prevent use of an upper patient support portion which is incompatible with the
25 magnetic field or with X-Ray.

30 14. The apparatus according to any one of Claims 1 to 13 wherein the patient support table has side rails movable longitudinally of the upper patient support portion for supporting accessories and wherein the side rails are limited in movement such that they are prevented from impacting on the magnet when the magnet is in the imaging position.

15. The apparatus according to any one of Claims 1 to 14 wherein there is provided a safety control system for controlling movements of the magnet, the patient support table and the X-Ray imaging system.

5 16. The apparatus according to Claim 15 wherein the safety control system is arranged to prevent forward movement of the magnet into the room in the event that the patient support table, the X-Ray imaging system and auxiliary equipment such as the booms that contain the monitors, X-Ray protection, or other equipment are not in a park position.

10 17. The apparatus according to Claim 15 or 16 wherein the safety control system is arranged to move the patient support table and the X-Ray imaging system into a park position on forward movement of the magnet into the room in the event that they are not already in the park position.

15 18. The apparatus according to any one of Claims 15 to 17 wherein the safety control system is arranged to control auxiliary equipment such as the booms that contain the monitors, X-Ray protection, or other equipment by moving them out of the way when the magnet approaches.

20 19. The apparatus according to any one of Claims 15 to 19 wherein the safety control system is arranged to operate forward movement of the magnet up to a halt position spaced from the end of the upper patient support portion of the patient support table at which the magnet automatically is halted to ensure that there will be no collision with the magnet before proceeding forward.

25 20. The apparatus according to Claim 19 wherein the patient support table is operable to adjust the upper patient support portion when the magnet is in the halt position and wherein the patient support table is prevented from adjusting the upper patient support portion when the magnet is moved forwardly of the halt position.

30 21. The apparatus according to any one of Claims 15 to 20 wherein the safety control system is arranged to operate retraction movement of the magnet up to a halt position spaced from the end of the upper patient support portion of the patient support table at which the retraction movement automatically is halted.

22. The apparatus according to any one of Claims 15 to 21 wherein the safety control system includes a status display for an operator which includes indication of:

The state of enablement of movement of the magnet for all possible movements;

The state of the X-Ray imaging system and patient support table including being in the park position;

5 Enablement of movement of the X-Ray imaging system including individual components of the system;

Enablement of movement of the patient support table;

10 Components of the X-Ray imaging system and/or patient table being powered down either manually or automatically to reduce imaging artefacts from noise sources in the X-Ray imaging system and/or patient table in the MR images during MR imaging.

23. The apparatus according to any one of Claims 15 to 22 wherein the safety control system is arranged to power down the X-Ray imaging system to reduce RF noise during the MRI by removing power to all components within the room with the exception of those necessary to maintain temperature control of X-Ray receptors of the X-Ray imaging system.

24. Apparatus for imaging of a part of a patient comprising:

a patient support table, the patient support table comprising;

20 a table support base for mounting in fixed position in an imaging suite; and an upper patient support portion on which the patient can lie with the part of the patient exposed for imaging;

the upper patient support portion being mounted for controlled movement thereof relative to the table support base;

25 a magnetic resonance imaging system for obtaining images of the part of the patient, the magnetic resonance imaging system comprising:

a magnet for use with a control system for controlling and varying the magnetic fields,

30 a radio frequency transmission and detection system for eliciting and detecting from the part of the patient nuclear magnetic resonance signals, in response to the magnetic fields, including RF coils arranged to be located adjacent to the part of the patient;

and a computer and display monitor for decoding and displaying an image obtained from the detected signals;

36

the magnet defining a coil surrounding a horizontal axis and defining a cylindrical bore extending between axial ends of the coil of the magnet with an imaging zone part way along the bore between the ends;

5 the upper patient support portion of the patient support table being cantilevered from the table support base in a direction longitudinal of the axis so as to extend into the bore from one end of the magnet to the imaging zone;

wherein the magnet is mounted on a magnet support arranged so that the magnet is movable between a magnetic resonance imaging position in which the magnet bore surrounds the patient support portion while the patient support portion remains supported on the table support base and a remote position in which the magnet is removed from the upper patient support portion by a distance such that the upper patient support portion is out of the strong magnetic field of the magnet;

and an X-Ray imaging system comprising:

15 an X-Ray source;
an X-Ray receptor;
the X-Ray source and the X-Ray receptor being arranged to define an imaging zone;

an X-Ray support base;
20 the source and the receptor being mounted on a common mounting member carried on the X-Ray support base and moveable relative thereto for adjusting the relative positions of the patient support table and the X-Ray imaging zone for imaging selected parts of the patient;

wherein the upper patient support portion is removable from the table support base and wherein the table support base includes registration members which allow engagement thereon only of an upper patient support portion which is configured to match the registration members so as to prevent use of an upper patient support portion which is incompatible with the magnetic field.

25 25. Apparatus for imaging of a part of a patient comprising:
a patient support table, the patient support table comprising:
30 a table support base for mounting in fixed position in an imaging suite;
and an upper patient support portion on which the patient can lie with the part of the patient exposed for imaging;

37

the upper patient support portion being mounted for controlled movement thereof relative to the table support base;

a magnetic resonance imaging system for obtaining images of the part of the patient, the magnetic resonance imaging system comprising:

5 a magnet for use with a control system for controlling and varying the magnetic fields,

a radio frequency transmission and detection system for eliciting and detecting from the part of the patient nuclear magnetic resonance signals, in response to the magnetic fields, including RF coils arranged to be located adjacent to the part of the patient;

10 and a computer and display monitor for decoding and displaying an image obtained from the detected signals;

the magnet defining a coil surrounding a horizontal axis and defining a cylindrical bore extending between axial ends of the coil of the magnet with an imaging zone part way along the bore between the ends;

15 the upper patient support portion of the patient support table being cantilevered from the table support base in a direction longitudinal of the axis so as to extend into the bore from one end of the magnet to the imaging zone;

wherein the magnet is mounted on a magnet support arranged so that the magnet is movable between a magnetic resonance imaging position in which the magnet bore surrounds the patient support portion while the patient support portion remains supported on the table support base and a remote position in which the magnet is removed from the upper patient support portion by a distance such that the upper patient support portion is out of the strong magnetic field of the magnet;

and an X-Ray imaging system comprising:

25 an X-Ray source;

an X-Ray receptor;

the X-Ray source and the X-Ray receptor being arranged to define an imaging zone;

an X-Ray support base;

30 the source and the receptor being mounted on a common mounting member carried on the X-Ray support base and moveable relative thereto for adjusting the

relative positions of the patient support table and the X-Ray imaging zone for imaging selected parts of the patient;

wherein there is provided a safety control system for controlling movements of the magnet, the patient support table and the X-Ray imaging system.

5 26. The apparatus according to Claim 25 wherein the safety control system is arranged to prevent forward movement of the magnet into the room in the event that the patient support table and the X-Ray imaging system are not in a park position.

10 27. The apparatus according to Claim 25 or 26 wherein the safety control system is arranged to operate forward movement of the magnet up to a halt position spaced from the end of the upper patient support portion of the patient support table at which the magnet automatically is halted.

15 28. The apparatus according to Claim 27 wherein the patient support table is operable to adjust the upper patient support portion when the magnet is in the halt position and wherein the patient support table is prevented from adjusting the upper patient support portion when the magnet is moved forwardly of the halt position.

20 29. The apparatus according to any one of Claims 25 to 28 wherein the safety control system is arranged to operate retraction movement of the magnet up to a halt position spaced from the end of the upper patient support portion of the patient support table at which the retraction movement automatically is halted.

25 30. The apparatus according to any one of Claims 25 to 29 wherein the safety control system includes a status display for an operator which includes indication of:

Enablement of movement of the magnet;

The X-Ray imaging system and patient support table being in park position;

Enablement of movement of the X-Ray imaging system;

30 25 Enablement of movement of the patient support table;

The X-Ray imaging system being powered down to reduce RF noise during the MRI.

30 31. The apparatus according to any one of Claims 25 to 30 wherein the safety control system is arranged to power down the X-Ray imaging system to reduce RF noise during the MRI by removing power to all components within the room with the exception of those necessary to maintain temperature control of X-Ray receptors of the X-Ray imaging system.

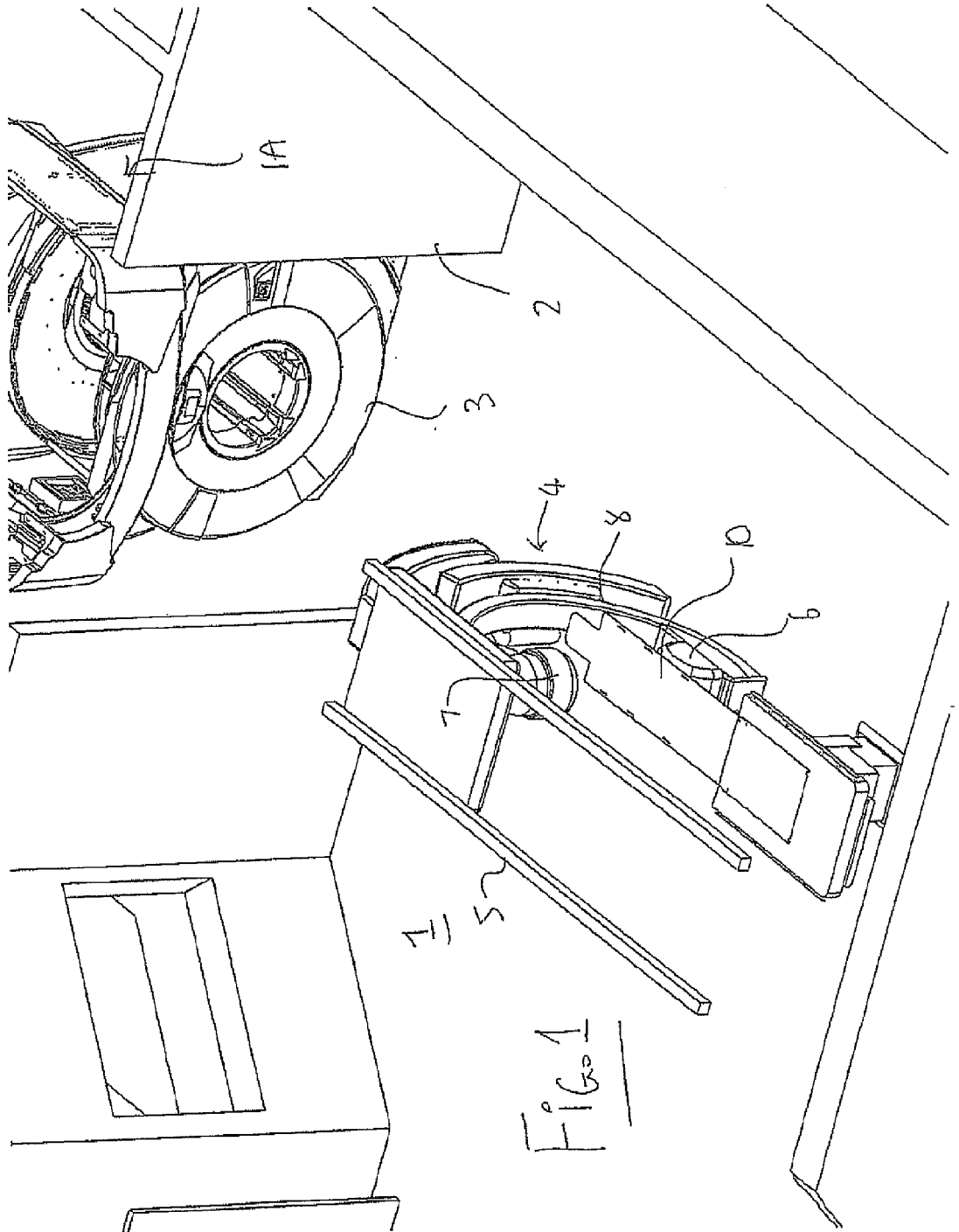
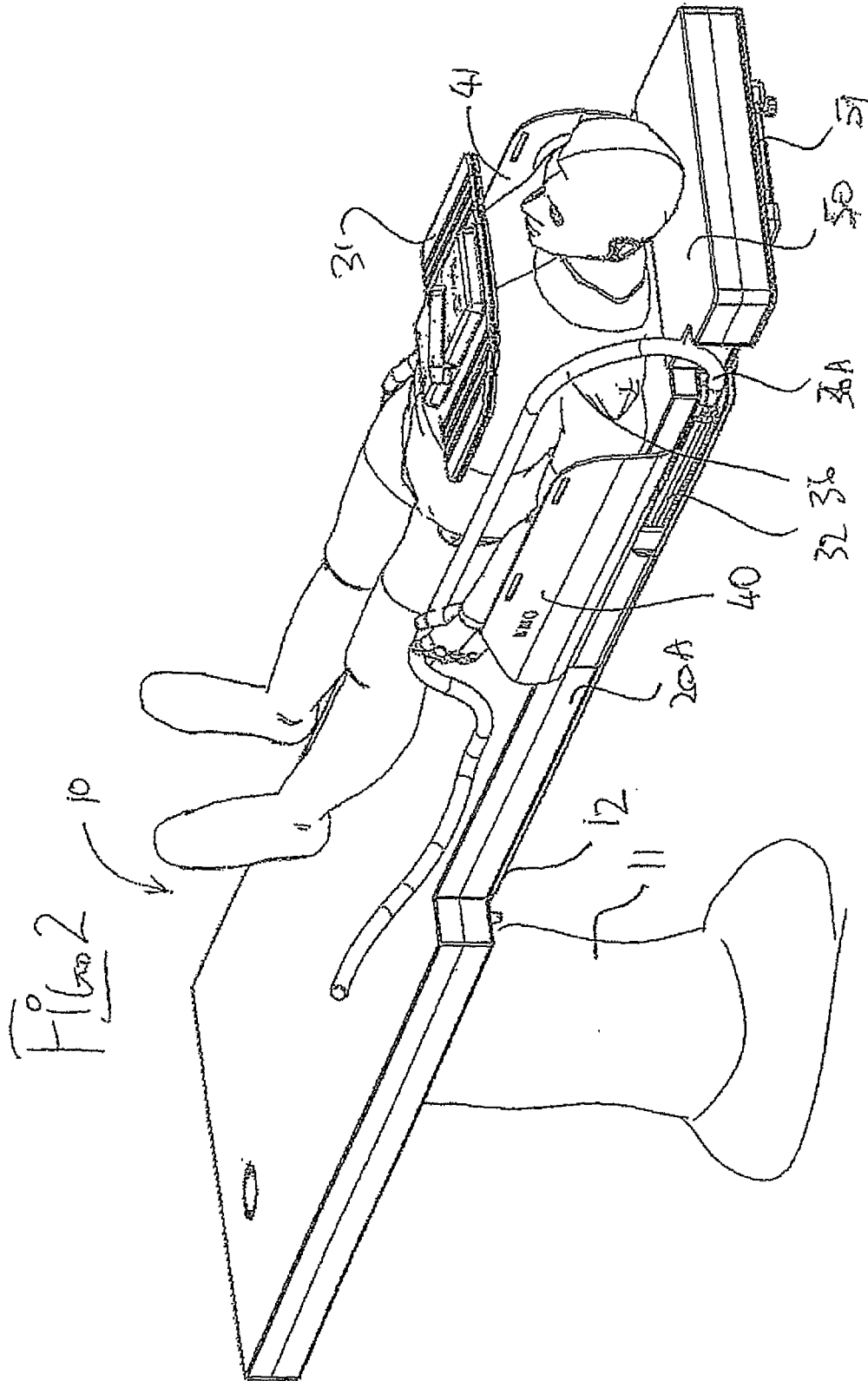
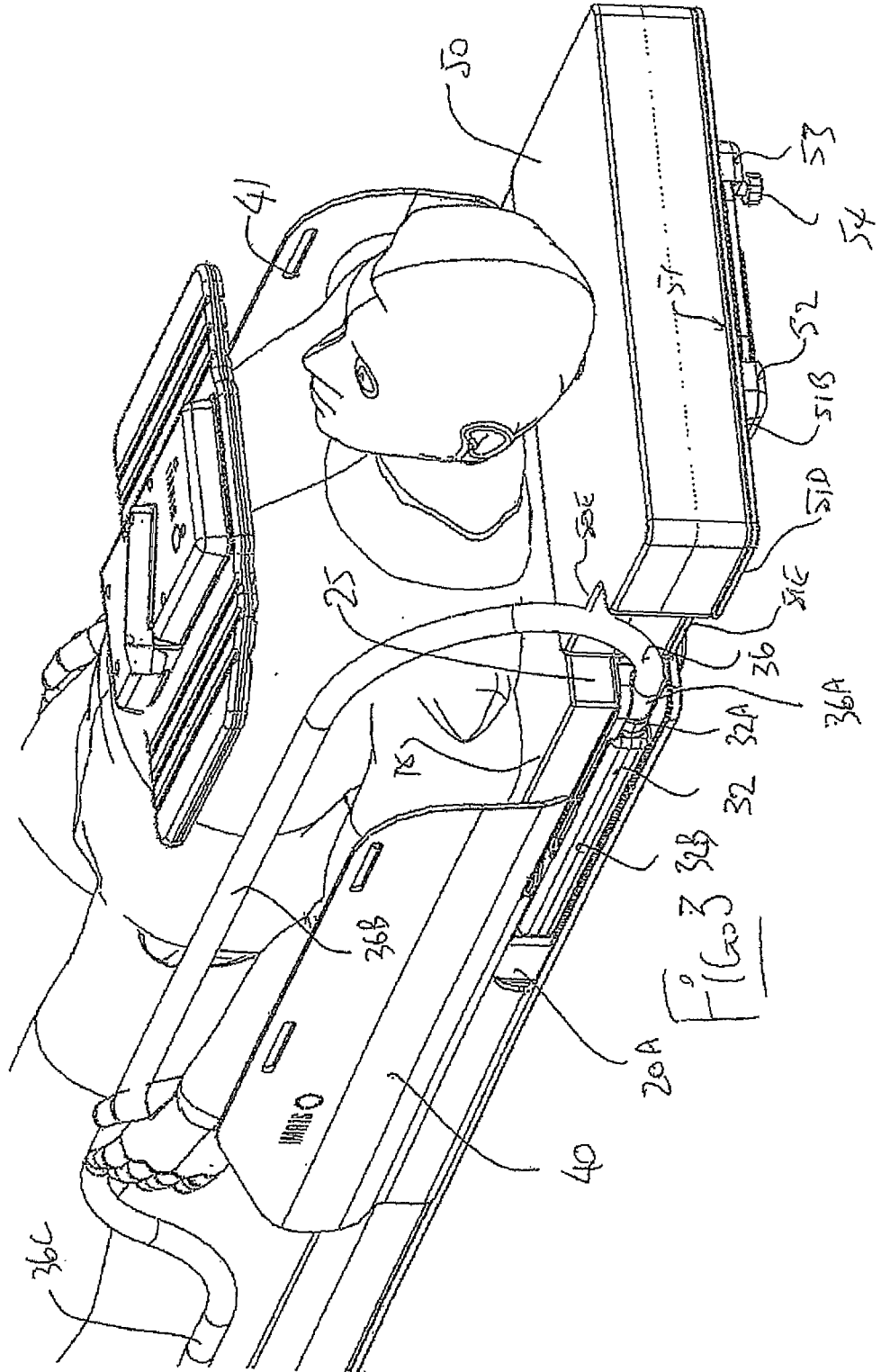


FIG. 1





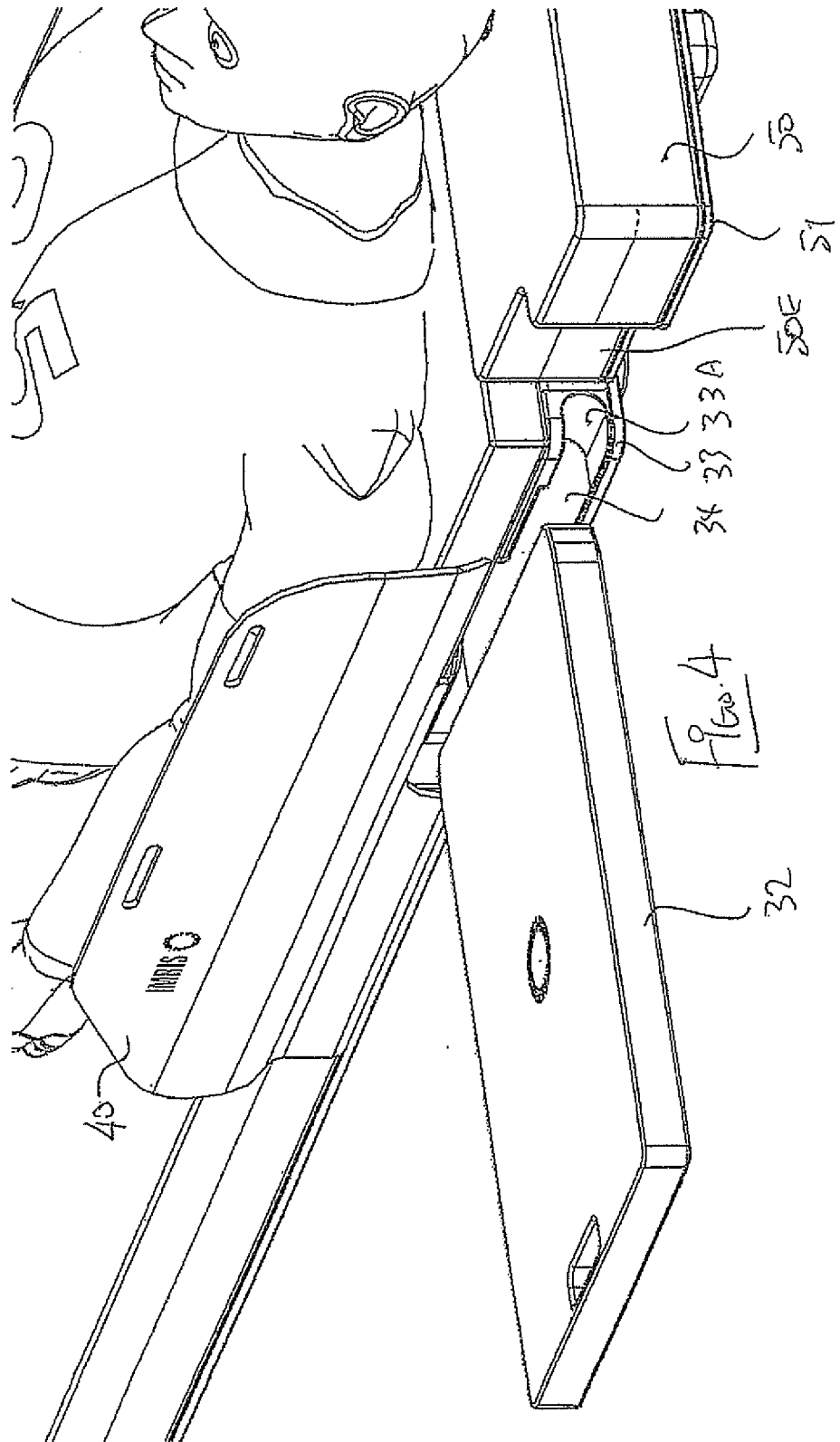
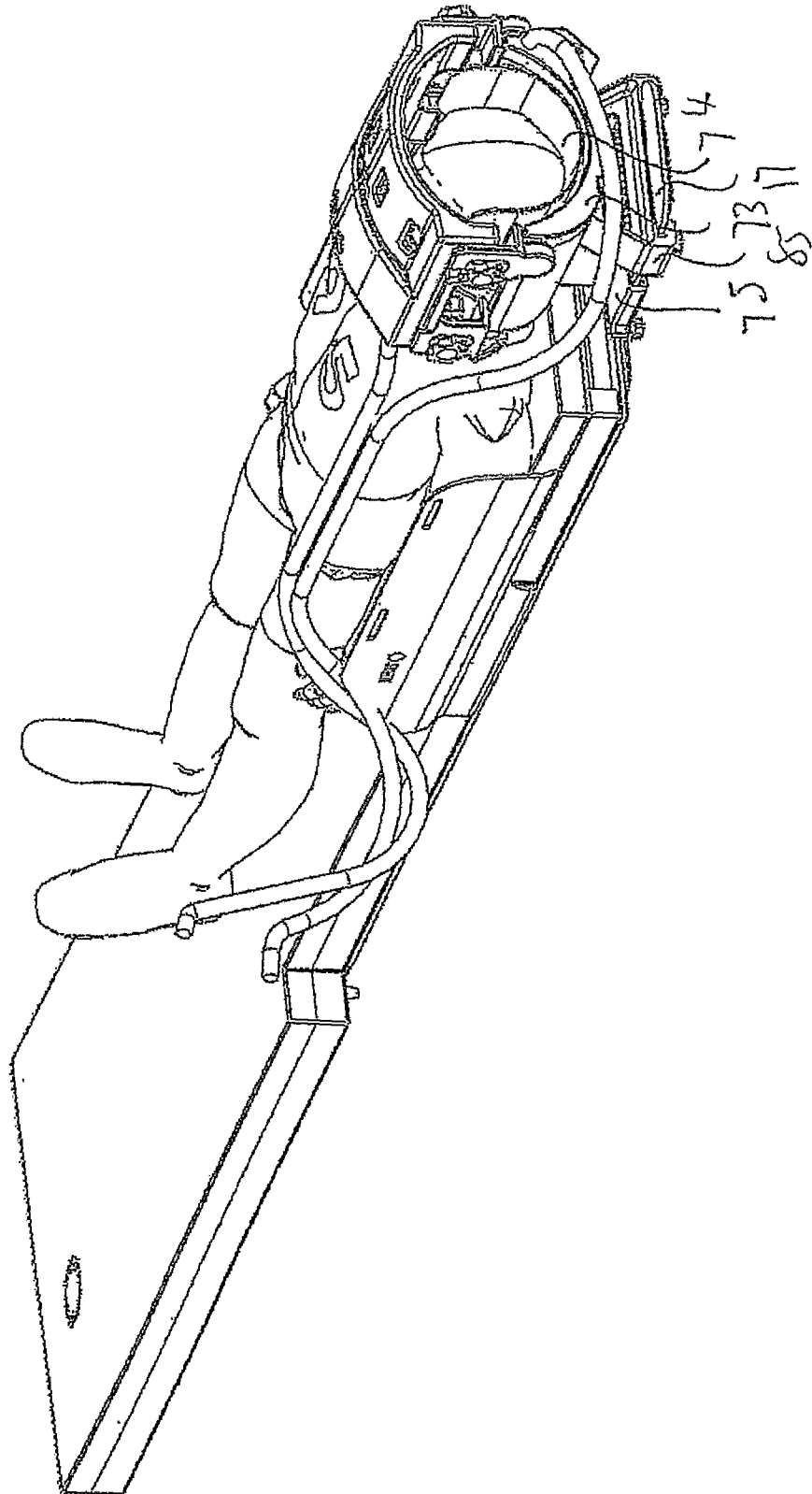
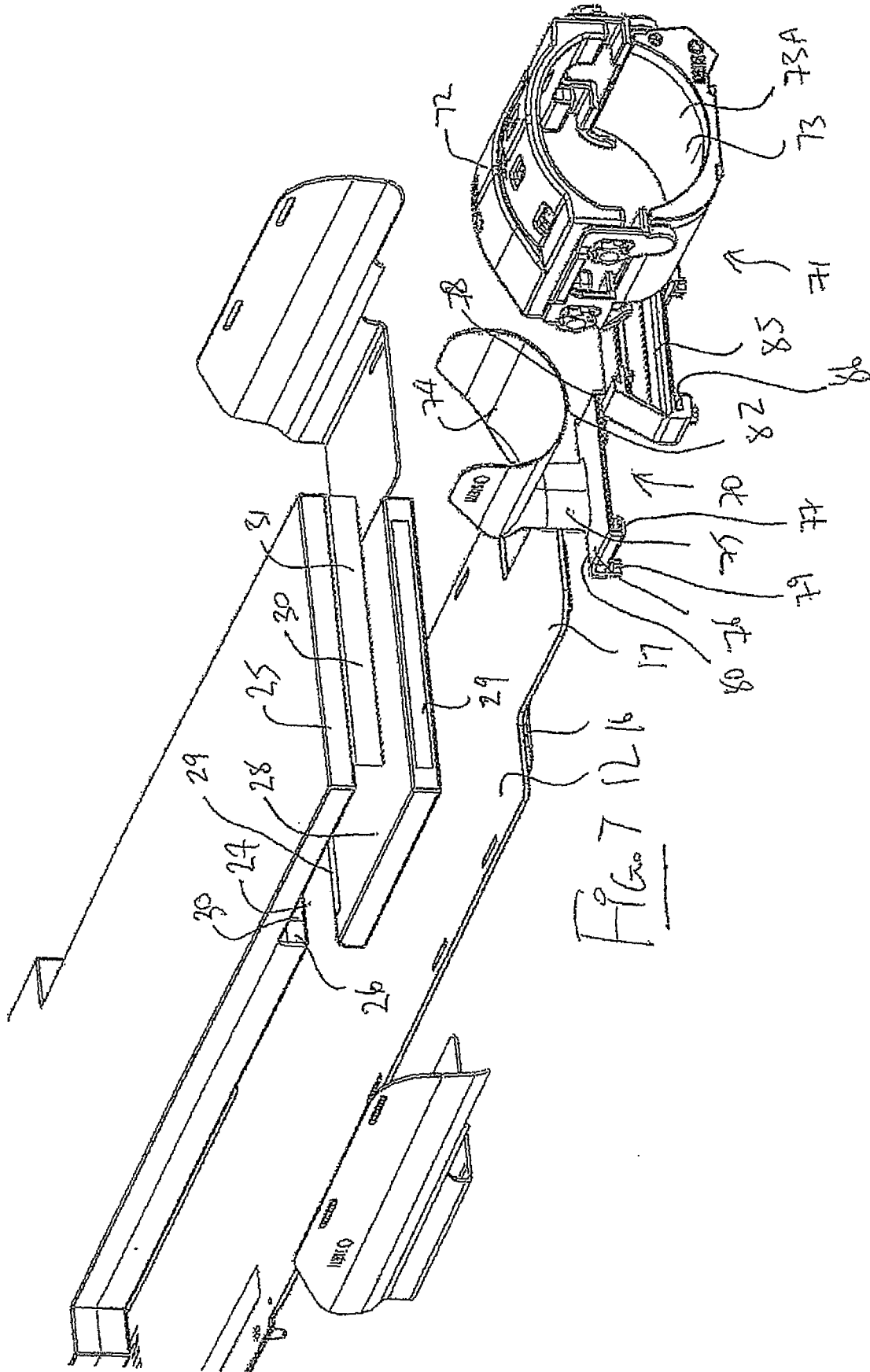
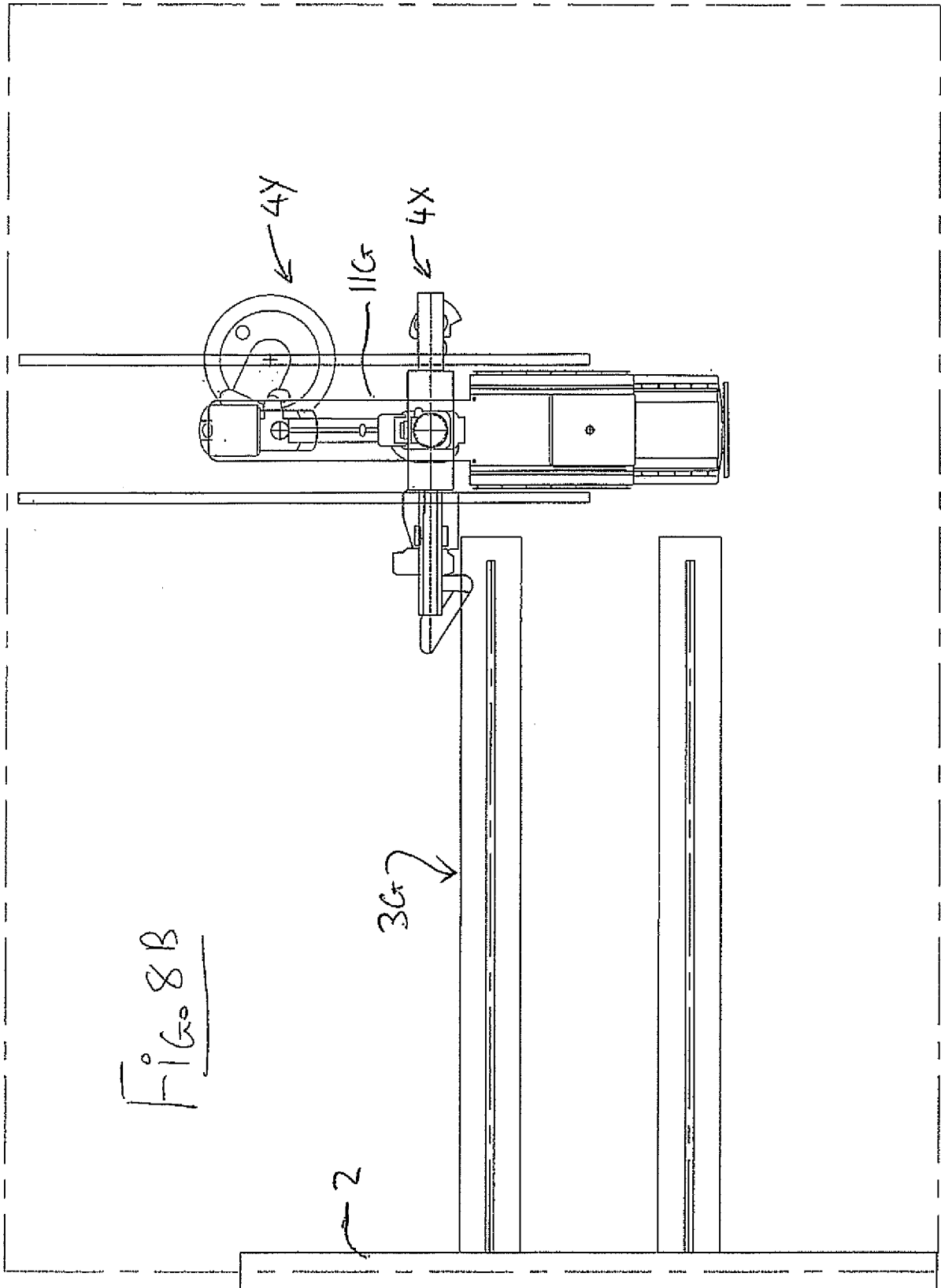


Fig. 6







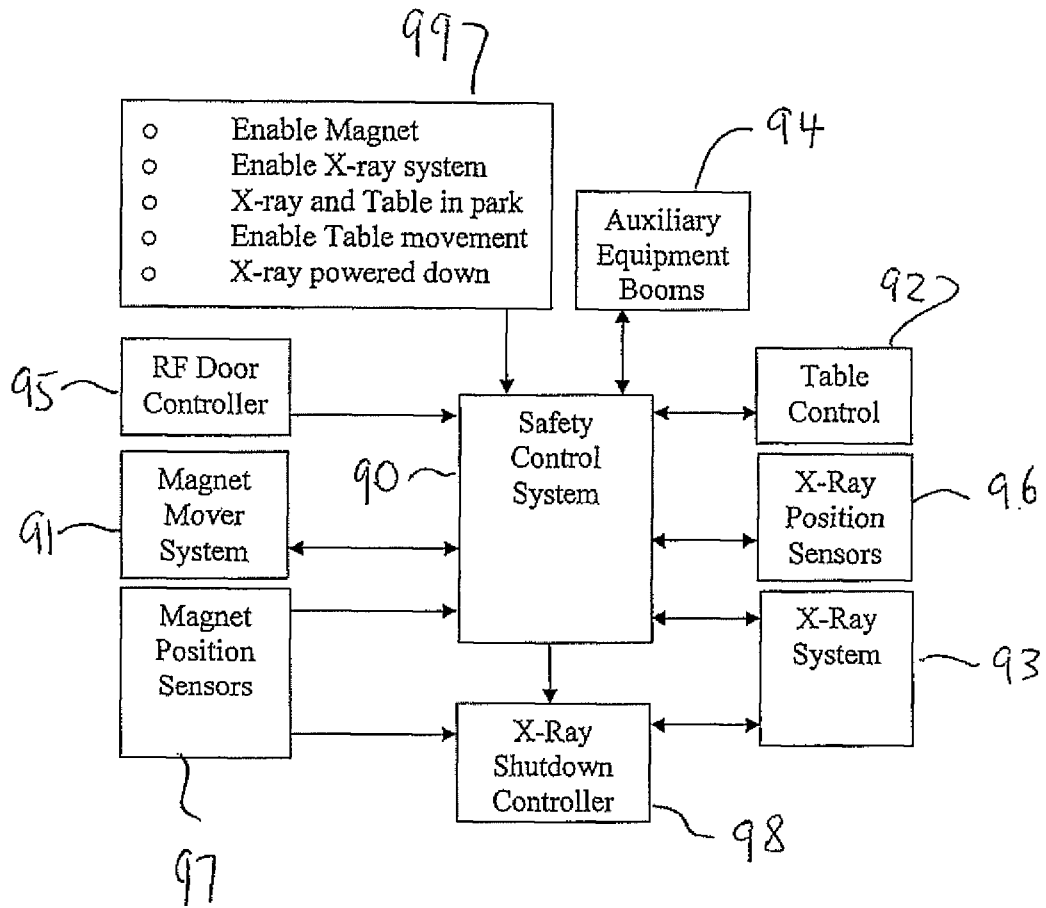


FIG 9

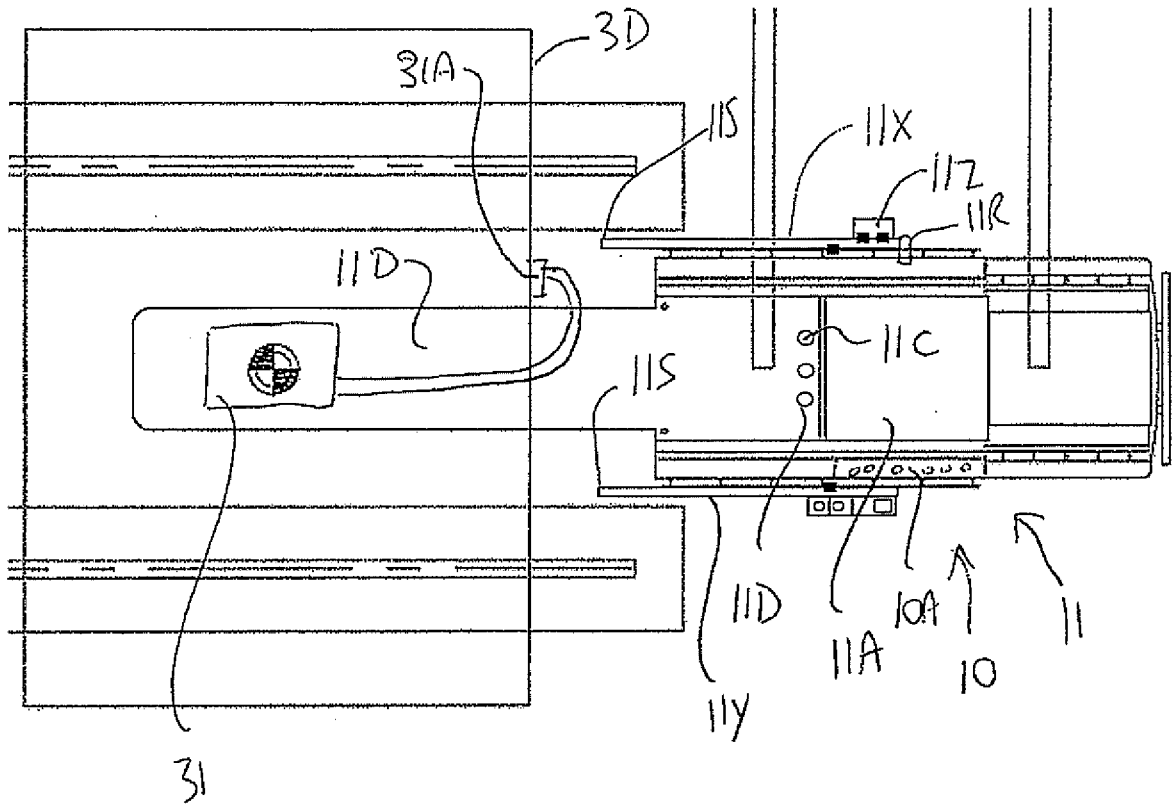
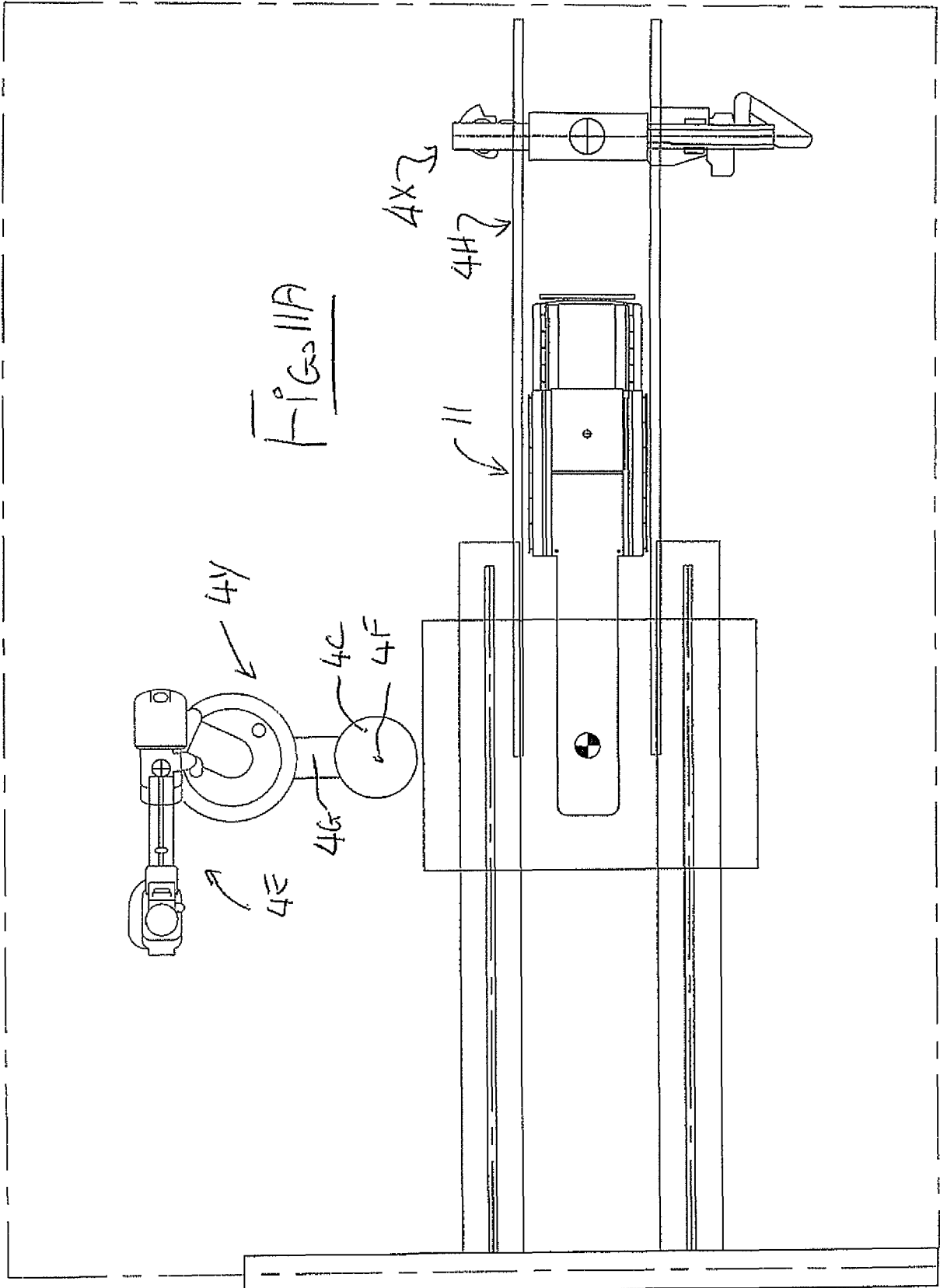


Fig. 10



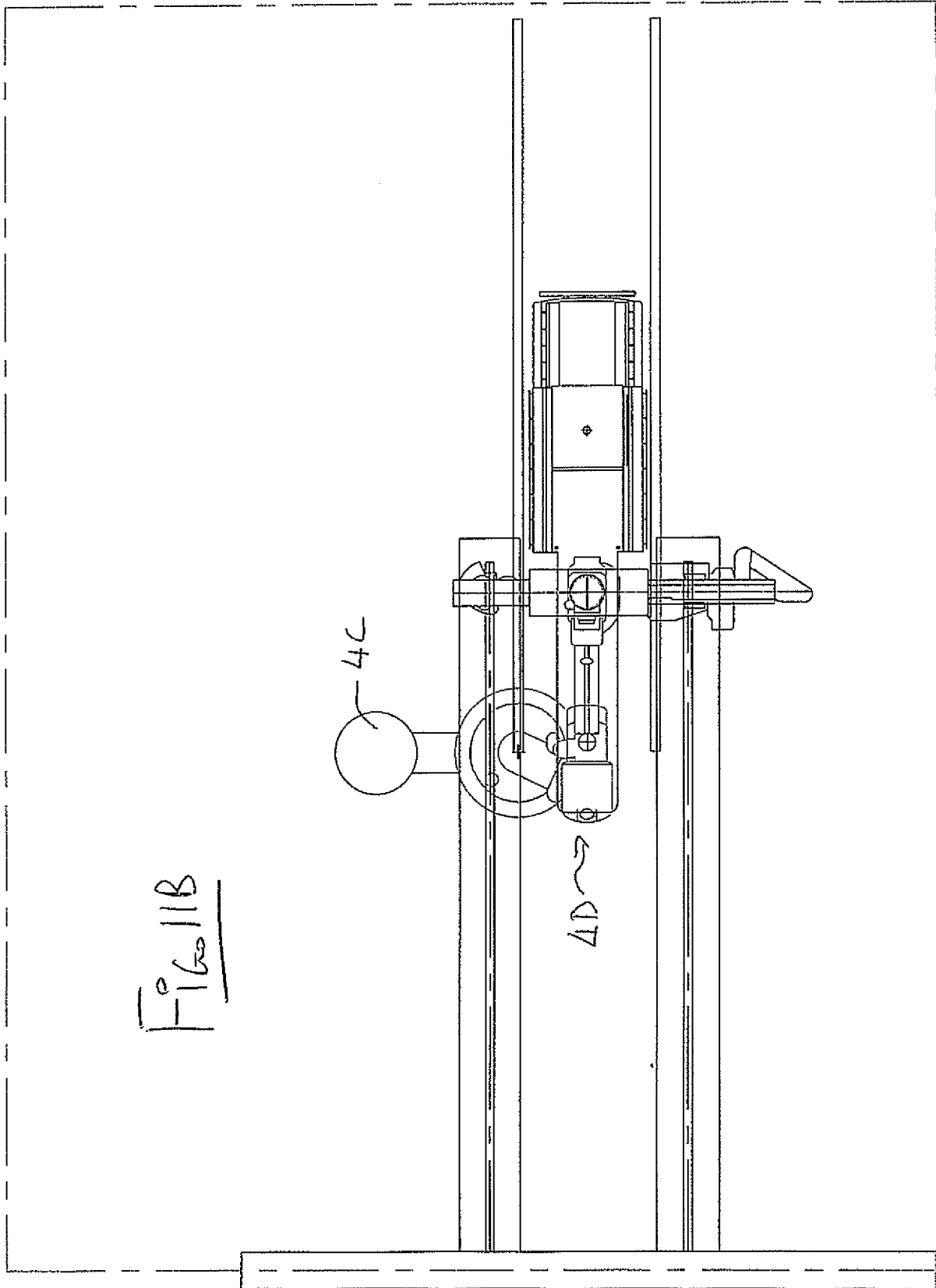


FIG 11B

INTERNATIONAL SEARCH REPORT

International application No.
PCT/CA2009/000672

A. CLASSIFICATION OF SUBJECT MATTER IPC: A61B 5/055 (2006.01) , A61B 6/04 (2006.01) , A61B 6/10 (2006.01) According to International Patent Classification (IPC) or to both national classification and IPC		
B. FIELDS SEARCHED		
Minimum documentation searched (classification system followed by classification symbols) IPC: A61B (2006.01)		
Documentation searched other than minimum documentation to the extent that such documents are included in the fields searched		
Electronic database(s) consulted during the international search (name of database(s) and, where practicable, search terms used) Canadian Patent Database (Intellect), US Patent Database (WEST), Delphion, IEEE Xplore, World Wide Web. Keywords: MR/MRI/"magnetic resonance imaging", x-ray/radiography, magnet, RF/"radio frequency", coil, tube, detec*/receive, bi-plane, table/support, computer/processor.		
C. DOCUMENTS CONSIDERED TO BE RELEVANT		
Category*	Citation of document, with indication, where appropriate, of the relevant passages	Relevant to claim No.
Y	US 6 658 085 (SKLEBITZ) 2 December 2003 (02-12-2003) *See: column 1, lines 19-27; column 2, lines 20-25; column 3, lines 42-44, 47-50 and 59-63; column 4, lines 4-13 and 17-20; figures 1-4.	1-12 and 14
Y	US 5 735 278 (HOULT et al.) 7 April 1998 (07-04-1998) *See: figure 1.	1-12 and 14
Y	US 5 923 721 (DUSCHKA) 13 July 1999 (13-07-1999) *See: abstract.	5-8
A	Li et al. "An Efficient Medical Image Compression Scheme", Engineering in Medicine and Biology Society, 2005. 27th Annual International Conference of the IEEE-EMBS 2005, 18 January 2006, pgs. 3437-3439. *See: entire document	1-12 and 14
<input type="checkbox"/> Further documents are listed in the continuation of Box C.		<input checked="" type="checkbox"/> See patent family annex.
* Special categories of cited documents :	"T" later document published after the international filing date or priority date and not in conflict with the application but cited to understand the principle or theory underlying the invention	
"A" document defining the general state of the art which is not considered to be of particular relevance	"X" document of particular relevance; the claimed invention cannot be considered novel or cannot be considered to involve an inventive step when the document is taken alone	
"E" earlier application or patent but published on or after the international filing date	"Y" document of particular relevance; the claimed invention cannot be considered to involve an inventive step when the document is combined with one or more other such documents, such combination being obvious to a person skilled in the art	
"L" document which may throw doubts on priority claim(s) or which is cited to establish the publication date of another citation or other special reason (as specified)	"&" document member of the same patent family	
"O" document referring to an oral disclosure, use, exhibition or other means		
"P" document published prior to the international filing date but later than the priority date claimed		
Date of the actual completion of the international search 14 October 2009 (14-10-2009)	Date of mailing of the international search report 15 October 2009 (15-10-2009)	
Name and mailing address of the ISA/CA Canadian Intellectual Property Office Place du Portage I, C114 - 1st Floor, Box PCT 50 Victoria Street Gatineau, Quebec K1A 0C9 Facsimile No.: 001-819-953-2476	Authorized officer Bryon Braymore 819- 934-6753	

Box No. II Observations where certain claims were found unsearchable (Continuation of item 2 of the first sheet)

This international search report has not been established in respect of certain claims under Article 17(2)(a) for the following reasons :

1. Claim Nos. :
because they relate to subject matter not required to be searched by this Authority, namely :

2. Claim Nos. :
because they relate to parts of the international application that do not comply with the prescribed requirements to such an extent that no meaningful international search can be carried out, specifically :

3. Claim Nos. :
because they are dependent claims and are not drafted in accordance with the second and third sentences of Rule 6.4(a).

Box No. III Observations where unity of invention is lacking (Continuation of item 3 of first sheet)

This International Searching Authority found multiple inventions in this international application, as follows :

Group A - Claims 1-12 and 14 are directed to an imaging apparatus, comprising: a patient support table, an MRI system, and an X-ray system, where an upper patient support portion of the patient support table is cantilevered from a base of the patient support table, and where the x-ray system and patient support are mounted for relative movement in a manner that enables the upper patient support portion to cooperate with a magnet of the MRI system during x-ray imaging.

(Continued on extra sheet on page 4)

1. As all required additional search fees were timely paid by the applicant, this international search report covers all searchable claims.
2. As all searchable claims could be searched without effort justifying additional fees, this Authority did not invite payment of additional fees.
3. As only some of the required additional search fees were timely paid by the applicant, this international search report covers only those claims for which fees were paid, specifically claim Nos. :
4. No required additional search fees were timely paid by the applicant. Consequently, this international search report is restricted to the invention first mentioned in the claims; it is covered by claim Nos. : 1-12 and 14

- Remark on Protest** The additional search fees were accompanied by the applicant's protest and, where applicable, the payment of a protest fee.
- The additional search fees were accompanied by the applicant's protest but the applicable protest fee was not paid within the time limit specified in the invitation.
- No protest accompanied the payment of additional search fees.

INTERNATIONAL SEARCH REPORT
Information on patent family members

International application No.
PCT/CA2009/000672

Patent Document Cited in Search Report	Publication Date	Patent Family Member(s)	Publication Date
US 6658085B2	02-12-2003	DE 10038176C1 JP 2002078701A US 2003103597A1	16-08-2001 19-03-2002 05-06-2003
US 5735278A	07-04-1998	AU 2089597A CA 2246369A1 CA 2246369C DE 69714425D1 DE 69714425T2 EP 0886786A1 EP 0886786B1 JP 4017189B2 JP 4025357B2 JP 2000507130T JP 2007260420A WO 9735206A1	10-10-1997 25-09-1997 01-06-2004 05-09-2002 24-04-2003 30-12-1998 31-07-2002 05-12-2007 19-12-2007 13-06-2000 11-10-2007 25-09-1997
US 5923721A	13-07-1999	DE 19633359A1 DE 19633359C2 JP 10075942A	26-02-1998 27-02-2003 24-03-1998

(Continuation of Box No. III on Page 2)

Group B - Claim 24 is directed to an imaging apparatus, comprising: a patient support table having an upper support portion and a base, an MRI system, and an X-ray system, where the upper support portion is removable from the base and the base includes registration members that allow engagement of only the upper support portion to prevent use of an incompatible upper support portion.

Group C - Claims 25-31 are directed to an imaging apparatus, comprising: a patient support table, an MRI system, an X-ray system and a safety control system for controlling movements of the magnet, the patient support table and the X-ray system.

Group D - Claim 13 a combination of the features from groups A and B.

Group E - Claims 15-23 a combination of the features from groups A and C.

专利名称(译)	磁共振和X射线成像系统		
公开(公告)号	EP2303115A4	公开(公告)日	2016-01-13
申请号	EP2009756983	申请日	2009-05-25
[标]申请(专利权)人(译)	IMRIS		
申请(专利权)人(译)	IMRIS INC		
当前申请(专利权)人(译)	IMRIS INC		
[标]发明人	SCARTH GORDON ROBBINS STEVEN GUYOT BRENDAN		
发明人	SCARTH, GORDON ROBBINS, STEVEN GUYOT, BRENDAN		
IPC分类号	A61B5/055 A61B6/04 A61B6/10 A61B5/00 A61B6/00 G01R33/34 G01R33/341 G01R33/381 G01R33/48		
CPC分类号	A61B5/0555 A61B5/0035 A61B6/0457 A61B6/0464 A61B6/10 A61B6/105 A61B6/4417 A61B6/4423 A61B6/4441 A61B6/4464 A61B6/4476 G01R33/34046 G01R33/34084 G01R33/341 G01R33/381 G01R33/4812		
优先权	61/058657 2008-06-04 US 12/420859 2009-04-09 US		
其他公开文献	EP2303115A1		
外部链接	Espacenet		

摘要(译)

用于包括磁共振和X射线的共同成像系统的患者台保持患者在成像之前，期间和之后静止就位，并且包括基部，从基部悬臂的患者支撑部分和床垫。提供一种安全系统，用于控制磁铁和MR系统以及X射线系统的操作，以允许有效的安全操作并控制磁铁移动到工作台以及X射线成像系统进出工作台的运动。表到不干扰MR成像的位置。