

(19) World Intellectual Property Organization
International Bureau



(43) International Publication Date
2 October 2008 (02.10.2008)

PCT

(10) International Publication Number
WO 2008/118993 A1

- (51) International Patent Classification:
A61B 5/00 (2006.01)
- (21) International Application Number:
PCT/US2008/058327
- (22) International Filing Date: 26 March 2008 (26.03.2008)
- (25) Filing Language: English
- (26) Publication Language: English
- (30) Priority Data:

60/920,474	27 March 2007 (27.03.2007)	US
60/923,630	14 April 2007 (14.04.2007)	US
61/033,007	2 March 2008 (02.03.2008)	US
- (71) Applicant (for all designated States except US):
MASIMO LABORATORIES, INC. [US/US]; 40
Parker, Irvine, CA 92618 (US).
- (72) Inventors; and
- (75) Inventors/Applicants (for US only): AL-ALI, Ammar

- [US/US]; 10880 Philips Street, Tustin, CA 92782 (US).
DIAB, Mohamed, K. [US/US]; 1 Stellar Isle, Ladera
Ranch, CA 92694 (US). **PANCH, Arun** [IN/US]; 21622
Marguerite Pkw, Apt 151, Mission Viejo, CA 92692 (US).
ABDUL-HAFIZ, Yassir [US/US]; 852 Las Palmas Drive,
Irvine, CA 92602 (US). **MACNEISH III, William, Jack**
[US/US]; 2372 Cornell Drive, Costa Mesa, CA 92626
(US).
- (74) Agent: **DELANEY, Karoline, A.**; Knobbe Martens Olson
& Bear, LLP, 2040 Main Street, Fourteenth Floor, Irvine,
CA 92614 (US).
- (81) Designated States (unless otherwise indicated, for every
kind of national protection available): AE, AG, AL, AM,
AO, AT, AU, AZ, BA, BB, BG, BH, BR, BW, BY, BZ, CA,
CH, CN, CO, CR, CU, CZ, DE, DK, DM, DO, DZ, EC, EE,
EG, ES, FI, GB, GD, GE, GH, GM, GT, HN, HR, HU, ID,
IL, IN, IS, JP, KE, KG, KM, KN, KP, KR, KZ, LA, LC,
LK, LR, LS, LT, LU, LY, MA, MD, ME, MG, MK, MN,
MW, MX, MY, MZ, NA, NG, NI, NO, NZ, OM, PG, PH,
PL, PT, RO, RS, RU, SC, SD, SE, SG, SK, SL, SM, SV,

[Continued on next page]

(54) Title: MULTIPLE WAVELENGTH OPTICAL SENSOR

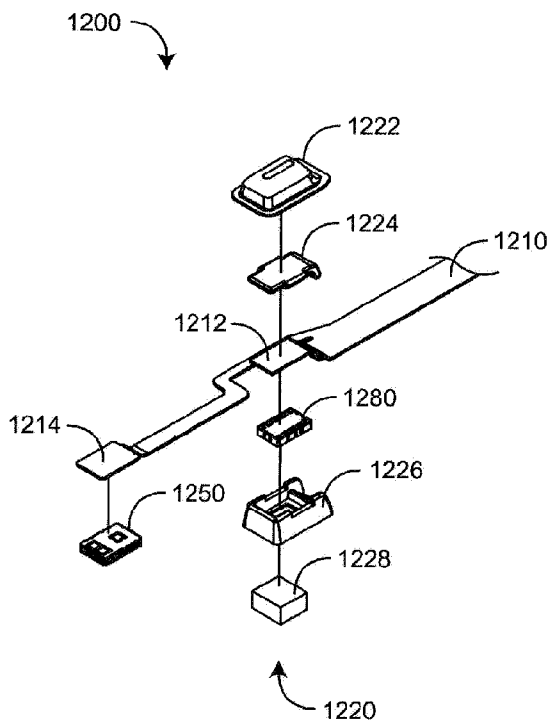


FIG. 12A

(57) Abstract: A multiple wavelength optical sensor has an emitter configured to radiate light having a plurality of wavelengths into a tissue site. The emitter comprises a plurality of LEDs configured in an array and connected within an electrical grid. A detector is configured to receive the light after absorption by pulsatile blood flow within the tissue site. The detector generates a sensor signal capable of being processed by a patient monitor so as to derive oxygen saturation, carboxyhemoglobin, methemoglobin and total hemoglobin.

WO 2008/118993 A1



SY, TJ, TM, TN, TR, TT, TZ, UA, UG, US, UZ, VC, VN,
ZA, ZM, ZW.

NO, PL, PT, RO, SE, SI, SK, TR), OAPI (BF, BJ, CF, CG,
CI, CM, GA, GN, GQ, GW, ML, MR, NE, SN, TD, TG).

(84) Designated States (*unless otherwise indicated, for every kind of regional protection available*): ARIPO (BW, GH, GM, KE, LS, MW, MZ, NA, SD, SL, SZ, TZ, UG, ZM, ZW), Eurasian (AM, AZ, BY, KG, KZ, MD, RU, TJ, TM), European (AT, BE, BG, CH, CY, CZ, DE, DK, EE, ES, FI, FR, GB, GR, HR, HU, IE, IS, IT, LT, LU, LV, MC, MT, NL,

Declaration under Rule 4.17:

— *of inventorship (Rule 4.17(iv))*

Published:

— *with international search report*

— *before the expiration of the time limit for amending the claims and to be republished in the event of receipt of amendments*

MULTIPLE WAVELENGTH OPTICAL SENSOR

PRIORITY CLAIM TO RELATED PROVISIONAL APPLICATIONS

[0001] The present application claims priority benefit under 35 U.S.C. § 119(e) to U.S. Provisional Patent Application Serial No. 60/920,474, filed March 27, 2007, titled *Disposable Multiple Wavelength Optical Sensor*, No. 60/923,630, filed April 14, 2007, titled *Disposable Multiple Wavelength Optical Sensor*, and No. 61/033,007, filed March 02, 2008, titled *Multiple Wavelength Optical Sensor*. All of the above-referenced applications are hereby incorporated by reference herein.

INCORPORATION BY REFERENCE OF COPENDING RELATED CASES

[0002] The present disclosure is generally related to U.S. Provisional Application Serial No. 60/998,659, filed 10/12/2007, titled *Ceramic Emitter Substrate*; U.S. Provisional Application Serial No. 60/979,658, filed 10/12/2007, titled *Ceramic Detectors*; U.S. Provisional Application Serial No. 60/979,674, filed 10/12/2007, titled *Connector Assembly*; U.S. Design Patent Application Serial No. 29/296,064, filed 10/12/2007, titled *Connector Assembly*; U.S. Design Patent Application Serial No. 29/296,067, filed 10/12/2007, titled *Connector Assembly*; U.S. Provisional Application Serial No. 61/####,###, filed 02/29/2008, titled *Connector Assembly*; and U.S. Design Patent Application Serial No. 29/####,###, filed 02/29/2008, titled *Connector*. All of the above-referenced applications are hereby incorporated by reference herein.

BACKGROUND OF THE INVENTION

[0003] Pulse oximetry systems for measuring constituents of circulating blood have gained rapid acceptance in a wide variety of medical applications including surgical wards, intensive care and neonatal units, general wards, home care, physical training, and virtually all types of monitoring scenarios. A pulse oximetry system generally includes an optical sensor applied to a patient, a monitor for processing sensor signals and displaying results and a patient cable electrically interconnecting the sensor and the monitor. A pulse oximetry sensor has light emitting diodes (LEDs), typically one emitting a red wavelength and one emitting an infrared (IR) wavelength, and a

photodiode detector. The emitters and detector are attached to a patient tissue site, such as a finger. The patient cable transmits drive signals to these emitters from the monitor, and the emitters respond to the drive signals to transmit light into the tissue site. The detector generates a signal responsive to the emitted light after attenuation by pulsatile blood flow within the tissue site. The patient cable transmits the detector signal to the monitor, which processes the signal to provide a numerical readout of physiological parameters such as oxygen saturation (SpO₂) and pulse rate. Advanced physiological monitoring systems utilize multiple wavelength sensors and multiple parameter monitors to provide enhanced measurement capabilities including, for example, the measurement of carboxyhemoglobin (HbCO), methemoglobin (HbMet) and total hemoglobin (Hbt).

[0004] Pulse oximeters capable of reading through motion induced noise are disclosed in at least U.S. Pat. Nos. 6,770,028, 6,658,276, 6,650,917, 6,157,850, 6,002,952, 5,769,785, and 5,758,644; low noise pulse oximetry sensors are disclosed in at least U.S. Patent 6,088,607 and 5,782,757; all of which are assigned to Masimo Corporation, Irvine, California ("Masimo") and are incorporated by reference herein.

[0005] Physiological monitors and corresponding multiple wavelength optical sensors are described in at least U.S. Pat. App. No. 11/367,013, filed March 1, 2006 and titled *Multiple Wavelength Sensor Emitters* and U.S. Pat. App. No. 11/366,208, filed March 1, 2006 and titled *Noninvasive Multi-Parameter Patient Monitor*, both assigned to Masimo Laboratories, Irvine, CA (Masimo Labs) and both incorporated by reference herein.

[0006] Further, physiological monitoring systems that include low noise optical sensors and pulse oximetry monitors, such as any of LNOP[®] adhesive or reusable sensors, SofTouch[™] sensors, Hi-Fi Trauma[™] or Blue[™] sensors; and any of Radical[®], SatShare[™], Rad-9[™], Rad-5[™], Rad-5v[™] or PPO+[™] Masimo SET[®] pulse oximeters, are all available from Masimo. Physiological monitoring systems including multiple wavelength sensors and corresponding noninvasive blood parameter monitors, such as Rainbow[™] adhesive and reusable sensors and RAD-57[™] and Radical-7[™] monitors for measuring SpO₂, pulse rate, perfusion index, signal quality, HbCO and HbMet among other parameters are also available from Masimo.

SUMMARY OF THE INVENTION

[0007] There is a need to noninvasively measure multiple physiological parameters, other than, or in addition to, oxygen saturation and pulse rate. For example, hemoglobin parameters that are also significant are total hemoglobin (Hbt) and the percentage of carboxyhemoglobin and methemoglobin. Other blood parameters that may be amenable to noninvasive optical sensor measurement are fractional oxygen saturation, bilirubin and blood glucose, to name a few.

[0008] One aspect of a physiological sensor is an emitter that emits light having a plurality of wavelengths. A detector generates an output signal responsive to the emitted light after absorption by tissue. An attachment assembly removably attaches the emitter and the detector to tissue. A spacer provides a predetermined gap between the emitter and tissue when the emitter is attached to tissue. A light scattering medium is disposed in a optical path between the emitter and tissue. The spacer and the light scattering medium provide at least a substantially uniform illumination of tissue by the emitted light for each of the wavelengths. In various embodiments, the light scattering medium comprises glass beads mixed with an encapsulant disposed proximate the spacer. The light scattering medium comprises microspheres mixed with an epoxy disposed proximate the emitter. The emitter comprises an array of at least eight light emitting diodes emitting light generally centered around eight unique wavelengths. The emitter comprises an array of at least thirteen light emitting diodes emitting light generally centered around at least twelve unique wavelengths. The detector comprises at least one Si photodiode and at least one InGaAs photodiode connected in parallel. The detector comprises two Si photodiodes and four InGaAs photodiodes all connected in parallel. The light emitting diodes emit light within a first range of about 620-905 nm and within a second range of about 1040-1270 nm.

[0009] Another aspect of a physiological sensor comprising an emitter configured to radiate light having a plurality of wavelengths into a tissue site. The emitter comprises a plurality of LEDs disposed within an emitter ceramic substrate. A detector is configured to receive the light after absorption by pulsatile blood flow within

the tissue site. The detector generates a sensor signal capable of being processed by a patient monitor so as to derive total hemoglobin (Hbt). The detector comprises a plurality of photodiodes disposed within a detector ceramic substrate. A first set of the photodiodes is responsive to a first set of the wavelengths and a second set of the photodiodes is responsive to a second set of the wavelengths. In various embodiments a diffuser scatters the radiated light so that a tissue site is uniformly illuminated across all of the wavelengths. A first encapsulate containing glass beads is mounted in a spacer proximate the emitter ceramic substrate. A second encapsulate mixed with microspheres is disposed on the LEDs within the emitter ceramic substrate. The photodiodes comprise at least one Si photodiode and at least one InGaAs photodiode connected in parallel. The LEDs radiate light generally centered around at least twelve unique wavelengths. The LEDs are mounted in an array of at least thirteen LEDs connected within an electrical grid. The twelve unique wavelengths comprise eight wavelengths within a first range of about 620-905 nm. and four wavelengths within a second range of about 1040-1270 nm.

[0010] A further aspect of a physiological sensor comprises a light source that radiates light having a plurality of wavelengths, a diffuser that scatters the radiated light so that a tissue site is uniformly illuminated across all of the wavelengths, and at least one detector that generates a sensor signal responsive to the radiated light after tissue attenuation. In an embodiment, the light source comprises a ceramic substrate having conductors arranged as an electrical grid and a plurality of LEDs mounted within the ceramic substrate in an array. In other embodiments, the diffuser comprises a first encapsulant having microspheres disposed over the LEDs; and a second encapsulant having glass beads disposed proximate the ceramic substrate. A spacer is disposed proximate the ceramic substrate so as to form a gap between the LEDs and the tissue site. A connector connects to a patient cable so as to communicate the sensor signal to a monitor. A flexible coupling has an optical end proximate the light source and the detector and a connector end proximate the connector. The flexible coupling has conductors that communicate the sensor signal from the optical end to the connector end.

BRIEF DESCRIPTION OF THE DRAWINGS

- [0011] FIG. 1 is a perspective view of a physiological measurement system ;
- [0012] FIG. 2 is a general block diagram of a physiological measurement system;
- [0013] FIG. 3 are block diagrams of a multiple wavelength optical sensor and a monitor;
- [0014] FIG. 4 is a general block diagram of an emitter assembly;
- [0015] FIG. 5 is a general block diagram of a detector assembly;
- [0016] FIG. 6 is a general block diagram of an emitter array;
- [0017] FIG. 7 is a block diagram of an emitter component;
- [0018] FIG. 8 is a block diagram of a circuit substrate;
- [0019] FIGS. 9A-B are perspective views of multiple wavelength optical sensor embodiments;
- [0020] FIG. 10 is a perspective view of a patient cable and corresponding sensor connector;
- [0021] FIGS. 11A-B are exploded perspective views of multiple wavelength optical sensor embodiments;
- [0022] FIGS. 12A-C are exploded perspective views of an optical assembly;
- [0023] FIG. 13 is an exploded perspective view of a contact assembly;
- [0024] FIGS. 14A-D are exploded perspective views, and perspective and side views, respectively, of a connector assembly;
- [0025] FIGS. 15A-B are perspective views of emitters;
- [0026] FIGS. 16A-H are top, cross-sectional, side and bottom views, respectively, of emitter embodiments;
- [0027] FIGS. 17A-B are perspective views of a detector components;
- [0028] FIGS. 18A-H are top, cross-sectional, side and bottom views, respectively, of detector components;
- [0029] FIGS. 19A-B are perspective and top views, respectively, of a detector;
- [0030] FIGS. 20A-B are top views of detector component embodiments;
- [0031] FIGS. 21A-B are perspective views of multiple wavelength optical sensor embodiments;

- [0032] FIG. 22 is a perspective view of an emitter assembly;
- [0033] FIGS. 23A-D are bottom, side, top and perspective views of an emitter assembly;
- [0034] FIGS. 24A-D are views of an encapsulated emitter assembly;
- [0035] FIG. 25 is an exploded, perspective view of an optical assembly;
- [0036] FIGS. 26A-I are assembly views for an optical assembly;
- [0037] FIGS. 27A-E are views of a cable connection assembly; and
- [0038] FIG. 28 is a general block diagram of an emitter driver.

DETAILED DESCRIPTION OF THE PREFERRED EMBODIMENTS

[0039] FIG. 1 illustrates a physiological measurement system **100** having a monitor **110** and a multiple wavelength optical sensor **120** with enhanced measurement capabilities as compared with conventional pulse oximetry. In particular, the multiple wavelength optical sensor **120** allows the measurement of various blood constituents and related parameters in addition to oxygen saturation and pulse rate. Alternatively, the multiple wavelength optical sensor **120** allows the measurement of oxygen saturation and pulse rate with increased accuracy or robustness as compared with conventional pulse oximetry.

[0040] In one embodiment, the optical sensor **120** is configured to plug into a monitor sensor port **112** via a patient cable **130**. Monitor keys **114** provide control over operating modes and alarms, to name a few. A display **116** provides readouts of measured parameters, such as oxygen saturation, pulse rate, HbCO, HbMet and Hbt to name a few. Other blood parameters that may be measured to provide important clinical information are fractional oxygen saturation, bilirubin and blood glucose, to name a few.

[0041] In this application, reference is made to many blood parameters. Some references that have common shorthand designations are referenced through such shorthand designations. For example, as used herein, HbCO designates carboxyhemoglobin, HbMet designates methemoglobin, and Hbt designates total hemoglobin. Other shorthand designations such as COHb, MetHb, and tHb are also common in the art for these same constituents. These constituents are generally reported in terms of a percentage, often referred to as saturation, relative concentration or fractional saturation. Total hemoglobin is generally reported as a concentration in g/dL. The use of the particular shorthand designators presented in this application does not restrict the term to any particular manner in which the designated constituent is reported.

[0042] FIG. 2 illustrates a block diagram a physiological measurement system **200**. This measurement system includes a monitor **210** and an optical sensor **220** communicating via a patient cable **230**. The monitor **210** has one or more processor boards **250** communicating with a host instrument **280**. Generally, the processor

board **250** communicates with the sensor **220** so as to control the emission of light into a tissue site **10**. Also the processor board **250** receives and processes a corresponding sensor signal responsive to the emitted light after scattering and absorption by tissue site constituents. Accordingly, the processor board **250** derives physiological parameters relating to pulsatile blood flow within the tissue site and communicates values for those parameters to the host instrument **280**. Generally, the host instrument **280** provides user I/O and communications with external devices so as to define operating conditions and communicate those conditions to the processor board **250**. The host instrument **280** also transfers parameter values from the processor board for display and for triggering alarms.

[0043] In an embodiment, the optical sensor **220** includes an emitter array **222**, at least one detector **224**, a temperature sensor **226** and a memory **228**. The emitter array **222** irradiates a tissue site **10** with multiple wavelength light. One or more detectors **224** detect the light after attenuation by the tissue site **10**. The temperature sensor **226** is located so as to detect the bulk temperature of the emitters within the emitter array, so as to accurately determine emitter wavelengths, as described below. The memory **228** can include any of a wide variety of memory devices known to an artisan from the disclosure herein, including an EPROM, an EEPROM, a flash memory, a ROM, a non-volatile RAM and a two-terminal serial memory device, to name a few, and combinations of the same. The memory **228** can advantageously store a wide variety of sensor-related information, including sensor type, manufacturer information, sensor characteristics including wavelengths emitted, wavelength correction data, emitter drive requirements, demodulation data, calculation mode data, calibration data and sensor life data to name a few. The memory can also store software such as scripts and executable code, encryption information, monitor and algorithm upgrade instructions and enabled parameters.

[0044] Although described herein with respect to various disposable sensor embodiments, a sensor may be reusable, resposable (partially reusable/partially disposable), adhesive or non-adhesive, or a transmittance, reflectance or transreflectance sensor. Further, a sensor may be configured for a variety of tissue sites such as a finger, hand, foot, forehead or ear or for attachment to multiple tissue

sites, including multiple-head sensors capable of simultaneous multi-site measurements.

[0045] As shown in **FIG. 2**, the processor board **250** includes a front end signal conditioner **252**, an analog-to-digital (A/D) converter **253**, a digital signal processor (DSP) **258**, a memory reader **256**, emitter drivers **254** and digital-to-analog (D/A) converters **255**. In general, the drivers **254** convert digital control signals into analog drive signals capable of activating the emitter array **222**. The front-end **252** and A/D converter **253** transform composite analog intensity signal(s) from light sensitive detector(s) **224** into digital data input to the DSP **258**. In an embodiment, the DSP **258** is adapted to communicate via a reader **256** with one or more information elements such as the memory **228**.

[0046] According to an embodiment, the DSP **258** comprises a processing device based on the Super Harvard ARChitecture ("SHARC"), such as those commercially available from Analog Devices. However, the DSP **258** can comprise a wide variety of data and/or signal processors capable of executing programs for determining physiological parameters from input data. According to an embodiment, the processor board **250** may comprise one or more microcontrollers (not shown) for board management, including, for example, communications of calculated parameter data and the like to the host instrument **280**.

[0047] Also shown in **FIG. 2**, the host instrument **280** communicates with the processor board **250** to receive signals indicative of the physiological parameter information calculated by the DSP **258**. The host instrument **280** preferably includes one or more display devices, alarms, user I/O and communication ports **284**. The alarms may be audible or visual indicators or both. The user I/O may be, as examples, keypads, touch screens, pointing devices or voice recognition devices. The displays may be indicators, numerics or graphics for displaying one or more of a pulse rate, plethysmograph data, signal quality, perfusion index and blood constituents values, such as SpO₂, carboxyhemoglobin (HbCO), methemoglobin (HbMet) and total hemoglobin (Hbt), or the like. The host instrument **280** may also be capable of storing or displaying historical or trending data related to one or more of the measured values or combinations of the measured values. A patient monitor is

disclosed in U.S. App. No. 11,367,033, filed on March 1, 2006, titled *Noninvasive Multi-Parameter Patient Monitor*, which is assigned to Masimo and incorporated by reference herein.

[0048] FIG. 3 illustrates a physiological measurement system **300** having a monitor **310** and a multiple wavelength sensor **320**. The sensor **320** has an emitter assembly **340**, a detector assembly **350**, an interconnect assembly **360**, an attachment assembly **370** and a connector assembly **380**. The monitor **310** has a sensor controller **312** that communicates with the sensor **320** via a cable **330**. As but one example, the sensor controller **312** may include emitter drivers, detector signal conditioning circuitry, A/D and D/A connectors, and a DSP incorporated onto a processor board, such as described with respect to FIG. 2, above.

[0049] As shown in FIG. 3, the emitter assembly **340** responds to drive signals received from the sensor controller **312** so as to emit light having a plurality of wavelengths. The detector assembly **350** provides a sensor signal to the sensor controller **312** in response to the emitted light after absorption by a tissue site. The interconnect assembly **360** mechanically mounts the emitter assembly **340** and the detector assembly **350** and provides electrical communication between the cable **330** and these assemblies **340**, **350**. The attachment assembly **370** attaches the emitter assembly **340** and detector assembly **350** to a tissue site. The connector assembly **380** provides a mechanical and electrical interface to the connector at one end of the cable **330**. A tape assembly example of an attachment assembly is described with respect to FIGS. 11A-B, below. A contact assembly example of a connector assembly is described with respect to FIGS. 13-14, below.

[0050] FIG. 4 illustrates an emitter assembly **400** having a substrate **410**, an emitter array **420**, an equalization **430** and a diffusion **440**. The emitter array **420** has multiple light emitting sources, each activated by drive signals **422**. The light emitting sources are capable of generating light **442** having multiple wavelengths. The equalization **430** accounts for differences in emitter intensity and tissue absorption of the light across the multiple wavelengths so as to at least partially equalize wavelength-dependent variations in intensity at the detector. The substrate **410**

provides a physical mount for the emitter array and emitter-related equalization and an electrical connection between the emitter array and an interconnect assembly, such as described above. Advantageously, the substrate **410** also maintains a uniform bulk temperature measurement so as to calculate the operating wavelengths for the light emitting sources. One example of an emitter array embodiment **420** is described with respect to **FIG. 6**, below. One example of equalization **430** is described with respect to encapsulants, below. Examples of substrates **410** are described with respect to ceramic and board substrates, below.

[0051] **FIG. 5** illustrates a detector assembly **500** including a substrate **510**, detector(s) **520** and an EMI shield **530**. The substrate **510** acts as a mechanical support for, and provides electrical contacts to, the detector(s) **520**. In an embodiment, the substrate **510** acts as an electrical insulator allowing the detector(s) **520** to be electrically isolated from EMI shielding **530** applied to a detector component. In an embodiment, the substrate **510** is a ceramic material.

[0052] **FIG. 6** illustrates an emitter array **600** having multiple light emitters (LE) **610** capable of emitting light having multiple wavelengths. Row drivers **670** and column drivers **690** are electrically connected to the light emitters **610** and activate one or more light emitters **610** by addressing at least one row **620** and at least one column **640** of an electrical grid. In one embodiment, the light emitters **610** each include a first contact **612** and a second contact **614**. The first contact **612** of a first subset **630** of light emitters is in communication with a first conductor **620** of the electrical grid. The second contact **614** of a second subset **650** of light emitters is in communication with a second conductor **640**.

[0053] **FIG. 7** illustrates an example of an emitter assembly **700** having light emitting diodes **710**, a temperature sensor **720** and a substrate **730**. The substrate **730** provides a thermal mass so as to stabilize a bulk temperature for the LEDs **710**. A temperature sensor **720** is thermally coupled to the substrate **730** so as to output, say, a current responsive to the bulk temperature T_b . The LED wavelengths **712** are determinable as a function of the drive currents **740** and the temperature sensor output **722**. In an embodiment, the substrate **730** is a ceramic material or,

alternatively, a circuit board material having multiple materialization layers for thermal mass.

[0054] In one embodiment, an operating wavelength λ_a of each LED **710** is determined according to EQ. 1:

$$\lambda_a = f(T_b, I_{drive}, \sum I_{drive}) \quad (1)$$

where T_b is the bulk temperature, I_{drive} is the drive current for a particular LED, as determined by a sensor controller, and $\sum I_{drive}$ is the total drive current for all LEDs. In another embodiment, temperature sensors are configured to measure the temperature of each LED **710** and an operating wavelength λ_a of each light emitter is determined according to EQ. 2:

$$\lambda_a = f(T_a, I_{drive}, \sum I_{drive}) \quad (2)$$

where T_a is the temperature of a particular light emitter, I_{drive} is the drive current for that light emitter and $\sum I_{drive}$ is the total drive current for all light emitters.

[0055] In yet another embodiment, an operating wavelength for each LED is determined by measuring the junction voltage for each LED **710**. In a further embodiment, the temperature of each LED **710** is controlled, such as by one or more Peltier cells coupled to each LED **710**, and an operating wavelength for each LED **710** is determined as a function of the resulting controlled temperature or temperatures. In other embodiments, the operating wavelength for each LED **710** is determined directly, for example by attaching a charge coupled device (CCD) to each light emitter or by attaching a fiberoptic to each light emitter and coupling the fiberoptics to a wavelength measuring device, to name a few.

[0056] **FIG. 8** illustrates an interconnect assembly **800** having a circuit substrate **810**, an emitter mount **830**, a detector mount **820** and a connector mount **840**. The emitter mount **830** mounts and electrically connects to an emitter assembly **860** having multiple light emitters. The detector mount **820** mounts and electrically connects to a detector assembly **850** having a detector. The connector mount **840** attaches a connector **870** having conductors that mate with a patient cable connector **890**. A first plurality of conductors disposed on the circuit substrate **810** electrically interconnect the emitter mount **830** and the connector **870**. A second plurality of

conductors disposed on the circuit substrate **810** electrically interconnect the detector mount **820** and the connector **870**.

[0057] **FIGS. 9A-B** illustrate embodiments of a multiple wavelength optical sensor. In particular, illustrated are a disposable sensor **900** including an adult/pediatric sensor **901** configured for finger placement and an infant/neonate sensor **902** configured for toe, foot or hand placement. Each sensor **900** has a tape end **910** and an opposite connector end **920** electrically and mechanically interconnected via a flexible coupling **930**. The tape end **910** attaches an emitter and detector to a tissue site, as described below. The emitter illuminates the tissue site and the detector generates a sensor signal responsive to the light after tissue absorption, such as absorption by pulsatile arterial blood flow within the tissue site. The sensor signal is communicated via the flexible coupling **930** to the connector end **920**. The connector mates with a cable (not shown) that communicates the sensor signal to a monitor (not shown). The monitor calculates a variety of physiological parameters from the detector signal, such as pulse rate (PR), oxygen saturation (SpO₂), carboxyhemoglobin (HbCO), methemoglobin (HbMet) and total hemoglobin (Hbt), to name a few. A sensor configured for measurement of at least some of the above-mentioned physiological parameters is described in U.S. Provisional Application Serial No. 60/920,474, filed 03/27/2007, titled *Disposable Multiple Wavelength Optical Sensor*; and U.S. Provisional Application Serial No. 60/923,630, filed 04/14/2007, titled *Disposable Multiple Wavelength Optical Sensor*, both applications incorporated by reference herein.

[0058] **FIG. 10** illustrates an optical sensor **900** connecting with a patient cable **1000**. In the illustrated embodiment, the sensor **900** connects to the patient cable **1000** via a 15-pin sensor connector **1010** that mates with a 15-socket patient cable connector **1020**. In various embodiments, the sensor connector **1010** may have all of the pins electrically active, and, in other embodiments, only a subset of the pins may be active and used to communicate sensor signals. For example, in one embodiment only 9 pins are active. In other embodiments, the sensor connector may be a standard SpO₂ sensor, having, for example, a 9-pin mini-D connector, which is well known in the art. A latch **1060** disposed on the sensor connector **1010** is configured

to engage a catch **1030** disposed on the patient cable connector **1020** so as to releasably hold the sensor connector **1010** and patient cable connector **1020** together. The sensor connector **1010** and patient cable connector **1020** are connected by pressing them together until the latch **1060** clicks into the catch **1030** and separated by pulling them apart while pressing downward on the latch **1060**, thereby disengaging the latch **1060** from the catch **1030**. In one embodiment, the monitor connector **1050** is a 20-pin DB connector. An example of a sensor connector is described with respect to **FIGS. 13-14**.

[0059] **FIGS. 11A-B** illustrate sensor assemblies **1100**, including an "I" configuration **1101** for adult/pediatric sensors and an "L" configuration **1102** for infant/neonate sensors. A sensor assembly **1100** has a flexible coupling **1110** interconnecting optical components **1200** at an optical end and connector components **1300** at a connector end. The coupling **1110** includes a flex circuit **1112**, a top sleeve **1114** and a bottom sleeve **1116**. The top sleeve **1114** and bottom sleeve **1116** interlock to create a channel which encloses a flex circuit **1112**. In one embodiment, the sleeve **1114**, **1116** is comprised of silicone rubber. The flex circuit **1112** mounts the optical components **1200** and a contact assembly **1300** and provides electrical communications between the optical components **1200** and the connector components **1400**, including the contact assembly **1300**. In an embodiment, base-tape, center-tape, face-tape and release liner layers **1150** are attached to "two-up" untaped assemblies and then cut to shape so as to provide an attachment assembly at tape end **910** (**FIGS. 9A-B**) for tissue attachment, described above.

[0060] **FIGS. 12A-C** further illustrate optical components **1200** having emitter components **1220** and a detector **1250** mounted to a flex circuit **1210**. The emitter components **1220** include a cover **1222**, a light block **1224**, an emitter **1280**, a spacer **1226** and an encapsulant **1228**. Advantageously, the spacer **1226** and encapsulant **1228** provide a relatively uniform illumination of a tissue site across all emitted wavelengths. In particular, the spacer **1226** provides a gap between the emitter **1280** and a tissue site, allowing emitted light from, say, individual LEDs of the emitter **1280** to spread as the multiple wavelength light propagates to a tissue site. Further, the

encapsulant **1228** can be configured to diffuse or scatter emitted light as the light propagates to a tissue site. In an embodiment, the spacer **1226** gap is 70 mm. In an embodiment, the encapsulant **1228** contains .1 mm glass beads, 25% by weight, in a clear silicon RTV. In an embodiment, the emitter has an epoxy fill over LEDs incorporated within the emitter that contain microspheres so as to diffuse or scatter LED transmitted light, as described below. In an embodiment, an attenuation epoxy is dispersed over selected emitter LEDs so as to equalize intensities of the various LEDs, also as described, below. LED intensity equalization is disclosed in U.S. Patent Application Serial No. 11/366,995, filed 03/01/2006, titled *Multiple Wavelength Sensor Equalization*, incorporated by reference herein. In an embodiment, the encapsulant or LED fill or both provide notch filter characteristics according to emitted wavelengths so as to substantially attenuate secondary emissions from one or more LEDs.

[0061] As shown in **FIGS. 12B-C**, the flex circuit **1210** terminates a first solder plate **1212** which is generally rectangular and connected to and is slightly wider than a first connection arm **1211**. In an "I" configuration **1201**, the first connection arm **1211** bends along its length in order to accommodate a second solder plate **1214**. In an "L" configuration **1202**, the first connection arm **1211** has a generally right-angle bend away from the second solder plate **1214**. The second solder plate **1214** terminates a second connection arm **1213**. In an embodiment, the first solder plate **1212** has three solder pads arranged in a triangular fashion for connecting to corresponding detector solder pads. The second solder plate **1214** has ten smaller solder pads arranged in rows for connecting to corresponding emitter solder pads. It is well known in the art to include conductors and conductor paths on one or more sides of the flex circuit **1210**. In various embodiments, the shape of the flex circuit **1210** may vary. For instance, in some embodiments, the flex circuit **1210** may vary in length and the bends, if any, may vary in characteristics.

[0062] **FIG. 13** illustrates a contact assembly **1300** having a connector plug **1310** that mates with a flex circuit connector plate **1218**. The connector plate **1218** forms one end of the flex circuit **1210** in communication with solder plates **1212**, **1214** (**FIGS. 12B-C**) at an opposite end of the flex circuit **1210**. The connector plug **1310** has a generally rectangular base **1311** and pins **1315**. The base **1311** has a front **1312**, a

back **1313** and pin apertures **1314** extending through the base **1311**. The pin apertures **1314** are arranged in two rows, and the pins **1315** extend through the apertures **1314** so that a relatively long plug portion of the pins **1315** extends from base front **1312** and a relatively short solder portion of the pins **1315** extends from the base back **1313**. The solder portion of the pins **1315** extend through and are fixedly soldered within corresponding connector plate apertures **1320**. In one embodiment, the base **1311** is comprised of a PC-ABS blend and the pins **1315** are comprised of a brass, bronze or copper base with gold plating.

[0063] As shown in **FIG. 13**, the connector plate **1218** has plug apertures **1320**, a flap **1330**, memory pads **1340**, resistor pads **1350** and a peg aperture **1360**. The flap **430** folds over a detector pin portion of the plug apertures **1320** so as to provide shielding for detector pins, which communicate a sensor signal from the detector **1250** (**FIGS. 12A-C**) to a patient monitor. The peg aperture **1360** is configured to accommodate a shell peg **1422** (**FIG. 14A**), securing the flex circuit **1210** to the sleeve **1114**, **1116** (**FIGS. 11A-B**) and connector shell **1410**, **1420** (**FIGS. 14A-B**). At least one memory **1370** is soldered to the memory pads **1340**. In one embodiment, the memory **1370** is a 20K EEPROM advantageously providing various sensor identification, diagnostic and control functions. In an embodiment, two 20K EEPROMs are utilized.

[0064] **FIGS. 14A-D** illustrate a connector **1400** having a top shell **1410**, a bottom shell **1420**, a clip **1430** and a contact assembly **1300**. The connector front has a passageway **1401** that accommodates a mating patient cable connector. A positioning tab **1424** abuts the flex circuit connector plate **1218** (**FIG. 13**). Apertures **1412** secure the clip **1430** by accommodating clip pegs **1432**. The connector back has a passageway **1402** that accommodates the flexible coupling **1110**. A shell peg **1422** engages a sleeve aperture **1450**, which secures the flex circuit **1112** and sleeve **1110** to the connector shell **1410**, **1420**. In one embodiment, the connector shell **1410**, **1420** is a PC-ABS blend.

[0065] The clip **1430** has a sloping latch **1438** located underneath the clip front **1434** and a lever **1030** (**FIG. 10**) extending from the clip back. The latch **1438** snaps

into a corresponding catch of a mating patient cable connector. Advantageously, the lever **1436** is rigidly connected to the clip front **1434** and corresponding latch **1438** so that pressing downward with a finger or thumb on the lever **1436** raises the latch so as to disengage it from the corresponding catch **1030** (**FIG. 10**). As such, the clip **1430** advantageously releasably holds the connector **1400** to a mating patient cable connector **1020** (**FIG. 10**) so as to reduce accidental disconnects and provide for relatively straightforward and efficient connection and release. In certain embodiments, the clip **1430** releases without depressing the lever **1436** when a threshold of tension is placed on the connection. This avoids equipment damage and injuries if a sensor is accidentally jerked by a patient. In one embodiment, the clip **1430** is comprised of a PC-ABS blend.

[0066] **FIGS. 15A-B** illustrate emitters **1500**, including an eight-LED emitter **1501** particularly advantageously for SpO₂, HbCO and HbMet measurements and a thirteen-LED emitter **1502** particularly advantageously for total hemoglobin (Hbt) measurements in addition to SpO₂, HbCO and HbMet. Each emitter **1500** has a ceramic substrate **1510**, light-emitting diodes (LEDs) **1520** and a thermistor **1530**. The ceramic substrate **1510** has a body **1512** defining a cavity **1514**. The cavity **1514** contains bonding pads that mount an array of LEDs **1520**. The ceramic substrate **1510** also has multiple layers of traces, feed-thrus and solder pads so as to interconnect the LEDs **1520** in an electrical grid. The solder pads allow a monitor to electrically activate the LEDs **1520** via the flex circuit **1112** (**FIGS. 11A-B**), the connector **1010** (**FIG. 10**) and an attached patient cable **1000** (**FIG. 10**). The cavity **1514** also contains a thermistor **1530**, the resistance of which can be measured in order to determine the bulk temperature of the LEDs **1520**. The thermal characteristics of ceramic stabilize and normalize the bulk temperature of the substrate **1510** so that the thermistor measurement of bulk temperature allows an accurate determination of LED temperature and, hence, LED wavelengths.

[0067] As shown in **FIGS. 15A-B**, an LED array **1520** is connected within an electrical grid of n rows and m columns totaling $n + m$ LED drive lines where n and m are integers greater than one. The electrical grid advantageously minimizes the number of drive lines required to activate the LEDs **1520** while preserving flexibility to

selectively activate individual LEDs **1520** in any sequence and multiple LEDs **1520** simultaneously. The electrical grid also facilitates setting LED currents so as to control intensity at each LED wavelength, determining operating wavelengths and monitoring total grid current so as to limit power dissipation. The LED array **1520** is physically configured in rows, which facilitates clustering LEDs according to wavelength so as to minimize pathlength variations and which facilitates equalization of LED intensities. In an embodiment the LED array **1520** comprises up to sixteen LEDs configured in an electrical grid of four rows and four columns. Each of four row drive lines provide a common anode connection to four LEDs, and each of four column drive lines provide a common cathode connection to four LEDs. Thus, sixteen LEDs are advantageously driven with only eight wires, including four anode drive lines and four cathode drive lines. In an embodiment, an LED array is partially populated with eight LEDs having nominal wavelengths as shown in **TABLE 1**. In an embodiment, the LED array is partially populated with thirteen LEDs having nominal wavelengths as shown in **TABLE 2**. Advantageously, LED array and the corresponding LED wavelengths are adapted to measure total hemoglobin (Hbt) in addition to S_pO_2 , pulse rate, HbCO and HbMet, among other physiological parameters. In an embodiment, LEDs D1-D5 are encapsulated with an attenuating epoxy **1660** (**FIGS. 16B, F**) so as to equalize LED intensities. In an embodiment, a clear fill epoxy **1670** (**FIGS. 16B, F**) mixed with 1-20 μm microspheres is dispersed and cured over the LEDs. An LED array and corresponding drivers for an electrical grid are disclosed in U.S. Patent Application Serial No. 11/367,013, filed 03/01/2006, titled *Multiple Wavelength Sensor Emitters*, incorporated by reference herein.

LED	λ	Row	Col
D1	630	1	1
D2	620	1	2
D3		1	3
D4		1	4
D5	700	2	1
D6	720	2	2
D7	660	2	3
D8	805	2	4
D9	905	3	1
D10		3	2
D11		3	3
D12		3	4
D13	645	4	1
D14		4	2
D15		4	3
D16		4	4

TABLE 1: Nominal LED Wavelengths (in nm)

LED	λ	Row	Col
D1	700	1	1
D2	660	1	2
D3	730	1	3
D4	805	1	4
D5	905	2	1
D6		2	2
D7		2	3
D8		2	4
D9	630	3	1
D10	620	3	2
D11	1170	3	3
D12	1240	3	4
D13	645	4	1
D14	1270	4	2
D15	1040	4	3
D16	1270	4	4

TABLE 2: Nominal LED Wavelengths (in nm)

[0068] FIGS. 16A-H further illustrate emitters 1500 having bonding pads 1610, mounting pads 1620, solder pads 1630, bonding wires 1640, an optical filter 1660 and an encapsulant 1670. The mounting pads 1620 mount and electrically connect a first side (anode or cathode) of the array of LEDs 1520 (FIGS. 15A-B) into an electrical grid. The bonding pads 1610 electrically connect a second side (cathode or anode) of the LEDs 1520 (FIGS. 15A-B) into the electrical grid, via bonding wires 1640. The thermistor 1530 is also attached to a pair of mounting pads 1620. Plated "feed-thru" holes electrically connect the mounting pads 1620 and the bonding pads 1610 on the ceramic substrate top side (FIGS. 16A, E) with solder pads 1630 on the bottom side (FIGS. 16D, H).

[0069] FIGS. 17A-B illustrate detectors 1700 including a detector 1701 utilizing a single Si photodiode 1720 particularly advantageous for SpO₂, HbCO and HbMet measurements and a detector 1702 utilizing multiple photodiodes 1720 particularly advantageous for total hemoglobin (Hbt) measurements in addition to SpO₂, HbCO and HbMet. Each detector 1700 has a ceramic substrate 1710 and one or more photodiodes 1720. The ceramic substrate 1710 has a body 1712 defining a cavity 1714. The cavity 1714 contains bonding pads that mount the photodiode(s) 1720 and electrically connect the photodiode(s) 1720, if more than one, in parallel. The solder pads (not visible) output detector current to a monitor via the flex circuit 1112 (FIGS. 11A-B), the connector 1010 (FIG. 10) and an attached patient cable 1000 (FIG. 10). In an embodiment, a single Si photodiode 1720 is utilized. In an embodiment, multiple photodiodes advantageously utilize parallel connected combinations of one or more Si photodiodes and one or more InGaAs photodiodes. The Si photodiodes are generally responsive to red and shorter near-IR wavelengths. The InGaAs photodiodes are generally responsive to longer near-IR wavelengths. Thus, the parallel combination of Si and InGaAs photodiodes extends the bandwidth of the detector component 1700 over the entire range of nominal LED emitter wavelengths, described above, so as to allow a corresponding monitor to non-invasively measure a patient's total hemoglobin (Hbt) among other blood parameters.

[0070] FIGS. 18A-H further illustrate a detector component 1700 having a ceramic substrate 1710, solder pads 1810, a mounting pad 1820, bonding pads 1830, wire

bonds **1840**, Si photodiodes **1860** and InGaAs photodiodes **1870**. The photodiodes **1860**, **1870** are mounted on a mounting pad **1820** electrically connected to a first solder pad **1810**. The photodiodes **1860**, **1870** are wire bonded **1840** to a bonding pad **1830** electrically connected to a second solder pad **1810**. The solder pads **1810** include DET-, DET+ and GND pads that mount the detector component **1700**/detector **1900** to a flex circuit **1210**, as described with respect to **FIGS. 12A-C**, above. A clear epoxy **1880** fills the remainder of the detector cavity **1714** (**FIGS. 17A-B**).

[0071] **FIGS. 19A-B** illustrate a detector **1900** having a detector component **1700** and a shield **1910**. The shield **1910** has a conductive surface **1920** defining windows **1930**. The windows **1930** can be any shape appropriate to the passage of light and the blocking of electromagnetic noise. In an embodiment, the windows **1930** are large rectangles with minimal interconnect so as to allow for a substantial passage of emitted light to the photodiodes **1720**. In an embodiment, the shield **1910** is soldered to the ceramic substrate **1710** on at least the four corners, electrically and mechanically coupling the shield **1910** to the ceramic substrate **1710** and allowing the shield to form one side of a Faraday cage. Mechanical coupling can be, for example, gluing, welding, soldering, screwing, snap fitting, or other suitable fastening. Electrical coupling can be, for example, soldering, wire bonding, die bonding, or other suitable forms of electrical connection. In an embodiment, the ceramic substrate **1710** is printed with shielding material to complete the Faraday cage. Additional shielding material can be attached to or plated on the ceramic substrate **1710**.

[0072] **FIGS. 20A-B** illustrate other photodiode array configurations **2001**, **2002**. In an embodiment **2001**, one or two relatively large surface area InGaAs photodiodes **2020** are mounted between two relatively large surface area Si photodiodes **2010**. In an embodiment **2002**, four relatively medium surface area photodiodes **2030**, **2040** are arrayed so as to intersperse Si photodiodes **2030** and InGaAs photodiodes **2040**. In other embodiments, various photodiodes of relatively small, medium and large surface areas and in various mixes of Si and InGaAs technologies are arranged in various topologies within the detector substrate cavity so as to advantageously measure total hemoglobin among other parameters. Other embodiments incorporate other

photodiode technologies capable of measuring red and infrared wavelengths in addition to, or in lieu of, Si and InGaAs technologies.

[0073] FIGS. 21A-B illustrate additional embodiments of a multiple wavelength optical sensor **2100**. In particular, disposable sensors include an adult/pediatric sensor **2101** and an infant /pediatric sensor **2102**. Each sensor **2100** has a tape end **2110** and an opposite connector end **2120** electrically and mechanically interconnected via a cable **2130**. The tape end **2110** attaches an emitter and detector to a tissue site. An emitter, described below, emits transmits light into the tissue site and a detector, also described below, generates a sensor signal responsive to the emitted light after tissue absorption. The sensor signal is communicated via the cable **2130** to the connector **2120**. The connector **2120** mates with a patient cable (not shown) that communicates the sensor signal to a monitor (not shown). The relative spacing between the emitter and detector are selected to obtain a desired alignment of the emitter and detector when the sensor is attached to the body tissue of a patient.

[0074] FIG. 22 illustrates an emitter **2200** embodiment having a board substrate **2210**, an LED array **2220** and one or more encapsulants **2230**. The LED array **2220** emits optical radiation having multiple wavelengths of predetermined nominal values, advantageously allowing multiple parameter measurements. In particular, the LED array **2220** has multiple light emitting diodes (LEDs) that are physically arranged and electrically connected in an electrical grid to facilitate drive control, equalization, and minimization of optical pathlength differences at particular wavelengths. The LEDs are each activated by addressing at least one row and at least one column of the electrical grid, as described above. At least a portion of the encapsulants **2230** are advantageously configured to provide intensity equalization across a specific LED subset. In an embodiment, the LEDs emit light having wavelengths generally centered around the values shown in **TABLE 3**.

LED	λ	Row	Col
D1	630	1	1
D2	620	1	2
D3	610	1	3
D4		1	4
D5	700	2	1
D6	730	2	2
D7	660	2	3
D8	805	2	4
D9		3	1
D10		3	2
D11		3	3
D12	905	3	4
D13		4	1
D14		4	2
D15		4	3
D16		4	4

TABLE 3: Nominal LED Wavelengths

[0075] FIGS. 23A-D illustrate a component-populated board substrate **2300** having a board substrate **2200**, a LED array **2220**, a thermistor **2310**, bonding pads **2320**, component pads **2330** and solder pads **2340**. The LED array **2220** is soldered to the component pads **2330**, which are electrically connected to the solder pads **2340**. Accordingly, the solder pads **2340** provide an electrical connection via a flex circuit, described below, between the LED array **2220** and a sensor drive (FIG. 28) located in a monitor (not shown). The thermistor **2310** provides a bulk temperature measurement of the LED array **2220** so as to better determine LED operating wavelengths. Either the N or P side of each LED die is electrically connected to the component pads **2330**. The opposite P or N side of each LED die is electrically connected to the wire-bond pads **2320**.

[0076] FIGS. 24A-D illustrate an encapsulated board substrate **2400** having board substrate **2200**, a first encapsulant **2410** and a second encapsulant **2420**. The first encapsulant is colored so as to provide an optical filter to equalize the intensities of a specific LED subset. This equalization accounts for differences in LED intensity across the multiple wavelengths so as to at least reduce wavelength-dependent

variations in detected intensity. In a particular embodiment, the first encapsulant **2410** encapsulates the shorter wavelength LEDs.

[0077] FIG. 25 illustrates a flex circuit assembly **2500** including a flex circuit **2507** having an optics end **2508** and a cable end **2509**. FIGS. 26A-I describe a detector circuit assembly **2501** and an emitter circuit assembly **2502** at the optics end **2508**. FIG. 27 describes a cable assembly at the cable end **2509**. The emitter circuit assembly **2502** has an emitter **2510**, a spacer **2520**, an encapsulant **2530**, a light barrier **2540** and an emitter cover **2550**. The detector circuit assembly **2501** has a detector **2560**, an EMI shield **2570** and a detector cover **2580**. Solder **2505** attaches the emitter **2510** to flex circuit pads. Solder **2555** also attaches the detector **2560** to flex circuit pads. Advantageously, the spacer **2520** and encapsulant **2530** provide a relatively uniform illumination of patient tissue across all emitted wavelengths. In particular, the spacer **2520** provides a gap between the emitter LEDs and patient tissue, allowing the emitted light from each LED to spread as it propagates to a tissue site. In an embodiment, the gap is 70 mm. In an embodiment, the encapsulant is configured to diffuse or scatter emitter light from each LED as it propagates to a tissue site. In an embodiment, the encapsulant contains .1 mm glass beads, 25% by weight, in a clear silicon RTV. In an embodiment, the encapsulant contains filtering media that provides pass-band characteristics for the emitted wavelengths of the emitter assembly or notch filter characteristics away from the emitted wavelengths so as to substantially attenuate secondary emissions of the LEDs.

[0078] FIGS. 26A-I illustrate the detector circuit assembly **2501** and the emitter circuit assembly **2502**. FIGS. 26A-E illustrates the detector assembly **2501** with an unfolded and folded EMI shield **2570**. FIGS. 26F-I illustrate folding of a light barrier **2540** around the emitter **2510**.

[0079] FIGS. 27A-E illustrate a cable assembly **2700**. The sensor cable **2100** is mounted to a cable connector **2730** extending from the cable end **2509** of the flex circuit **2507**. Detector wires **2770** are shielded at the flex circuit junction by a fold-over conductive ink flap **2740**, which is connected to a cable inner shield **2750**.

[0080] FIG. 28 illustrates a sensor controller **2800** located in a monitor **100** (not shown) and configured to provide anode drive signals **2801** and cathode drive signals

2802 to an LED array. The DSP (digital signal processor) **2803**, which performs signal processing functions for the monitor, also provides commands **2842** to the sensor controller **2800**. These commands determine drive signal **2801**, **2802** levels and timing. The sensor controller **2800** has a command register **2810**, an anode selector **2820**, anode drivers **2830**, current DACs (digital-to-analog converters) **2840**, a current multiplexer **2850**, cathode drivers **2860**, a current meter **2870** and a current limiter **2880**. The command register **2810** provides control signals responsive to the DSP commands **2842**. In one embodiment, the command register **2810** is a shift register that loads serial command data **2805** from the DSP **2803** and synchronously sets output bits that select or enable various functions within the sensor controller **2800**, as described below.

[0081] As shown in **FIG. 28**, the anode selector **2820** is responsive to anode select **2816** inputs from the command register **2810** that determine which LED array row is active. Accordingly, the anode selector **2820** sets one of the anode on **2822** outputs to the anode drivers **2830**, which pulls up to Vcc one of the anode outputs **2801** to the LED array.

[0082] Also shown in **FIG. 28**, the current DACs **2840** are responsive to command register data **2819** that determines the currents through each LED array column. In one embodiment, there are four, 12-bit DACs associated with each emitter array column, sixteen DACs in total. That is, there are four DAC outputs **2842** associated with each emitter array column corresponding to the currents associated with each row along that column. In a particular embodiment, all sixteen DACs **2840** are organized as a single shift register, and the command register **2810** serially clocks DAC data **2819** into the DACs **2840**. A current multiplexer **2850** is responsive to cathode on **2818** inputs from the command register **2810** and anode on **2822** inputs from the anode selector **2820** so as to convert the appropriate DAC outputs **2842** to current set **2852** inputs to the cathode drivers **2860**. The cathode drivers **2860** are responsive to the current set **2852** inputs to pull down to ground one to four of the cathode outputs **2802** to the LED array.

[0083] The current meter **2870** outputs a current measure **2872** that indicates the total LED current driving the LED array. The current limiter **2880** is responsive to the current measure **2872** and limits specified by the command register **2810** so as to prevent excessive power dissipation by the LED array. The current limiter **2880** provides an enable **2882** output to the anode selector **2820**. A Hi Limit **2812** input specifies the higher of two preset current limits. The current limiter **2880** latches the enable **2882** output in an off condition when the current limit is exceeded, disabling the anode selector **2820**. A trip reset **2814** input resets the enable **2882** output to re-enable the anode selector **2820**.

[0084] A multiple wavelength sensor has been disclosed in detail in connection with various embodiments. These embodiments are disclosed by way of examples only and are not to limit the scope of the claims that follow. Although a multiple wavelength sensor has been disclosed with respect to various disposable sensor embodiments, other embodiments incorporate other tissue site attachment technologies including reusable and resposable sensors configured to attach to various tissue sites including fingers, hands, feet, toes, ears to name a few. Further, although a multiple wavelength sensor has been disclosed with respect to light transmission with respect to emitters, tissue site and detectors, other embodiments incorporate reflectance and transfectance configurations. A reusable sensor is disclosed in U.S. Patent Application Serial No. 11/366,833, filed 03/01/2006, titled *Multiple Wavelength Sensor Attachment*, incorporated by reference herein. One of ordinary skill in art will appreciate many variations and modifications.

WHAT IS CLAIMED IS:

1. A physiological sensor comprising:
an emitter that emits light having a plurality of wavelengths;
a detector that generates an output signal responsive to the emitted light after absorption by tissue;
an attachment assembly that removably attaches the emitter and the detector to tissue;
a spacer that provides a predetermined gap between the emitter and tissue when the emitter is attached to tissue; and
a light scattering medium disposed in a optical path between the emitter and tissue;
the spacer and the light scattering medium providing at least a substantially uniform illumination of tissue by the emitted light for each of the wavelengths.
2. The physiological sensor according to claim 1 wherein the light scattering medium comprises glass beads mixed with an encapsulant disposed proximate the spacer.
3. The physiological sensor according to claim 2 wherein the light scattering medium further comprises microspheres mixed with an epoxy disposed proximate the emitter.
4. The physiological sensor according to claim 3 wherein the emitter comprises an array of at least eight light emitting diodes emitting light generally centered around eight unique wavelengths.
5. The physiological sensor according to claim 4 wherein the emitter comprises an array of at least thirteen light emitting diodes emitting light generally centered around at least twelve unique wavelengths.

6. The physiological sensor according to claim 5 wherein the detector comprises at least one Si photodiode and at least one InGaAs photodiode connected in parallel.

7. The physiological sensor according to claim 6 wherein the detector comprises two Si photodiodes and four InGaAs photodiodes all connected in parallel.

8. The physiological sensor according to claim 7 wherein the light emitting diodes emit light within a first range of about 620-905 nm. and within a second range of about 1040-1270 nm.

9. A physiological sensor comprising:
an emitter configured to radiate light having a plurality of wavelengths into a tissue site;
the emitter comprises a plurality of LEDs disposed within an emitter ceramic substrate;
a detector configured to receive the light after absorption by pulsatile blood flow within the tissue site;
the detector generates a sensor signal capable of being processed by a patient monitor so as to derive total hemoglobin (Hbt);
the detector comprises a plurality of photodiodes disposed within a detector ceramic substrate; and
a first set of the photodiodes is responsive to a first set of the wavelengths and a second set of the photodiodes is responsive to a second set of the wavelengths.

10. The physiological sensor according to claim 9 further comprising:
a diffuser that scatters the radiated light so that a tissue site is uniformly illuminated across all of the wavelengths.

11. The physiological sensor according to claim 10 wherein the diffuser comprises at least one of:

a first encapsulate containing glass beads mounted in a spacer proximate the emitter ceramic substrate; and

a second encapsulate mixed with microspheres disposed on the LEDs within the emitter ceramic substrate.

12. The physiological sensor according to claim 11 wherein the photodiodes comprise at least one Si photodiode and at least one InGaAs photodiode connected in parallel.

13. The physiological sensor according to claim 12 wherein the LEDs radiate light generally centered around at least twelve unique wavelengths.

14. The physiological sensor according to claim 13 wherein the LEDs are mounted in an array of at least thirteen LEDs connected within an electrical grid.

15. The physiological sensor according to claim 14 wherein the twelve unique wavelengths comprise eight wavelengths within a first range of about 620-905 nm. and four wavelengths within a second range of about 1040-1270 nm.

16. A physiological sensor comprising:
a light source that radiates light having a plurality of wavelengths;
a diffuser that scatters the radiated light so that a tissue site is uniformly illuminated across all of the wavelengths; and
at least one detector that generates a sensor signal responsive to the radiated light after tissue attenuation.

17. The physiological sensor according to claim 16 wherein the light source comprises:

- a ceramic substrate having conductors arranged as an electrical grid;
- a plurality of LEDs mounted within the ceramic substrate in an array.

18. The physiological sensor according to claim 17 wherein the diffuser comprises:

- a first encapsulant having microspheres disposed over the LEDs; and
- a second encapsulant having glass beads disposed proximate the ceramic substrate.

19. The physiological sensor according to claim 18 further comprising a spacer disposed proximate the ceramic substrate so as to form a gap between the LEDs and the tissue site.

20. The physiological sensor according to claim 19 further comprising:
a connector that connects to a patient cable so as to communicate the sensor signal to a monitor;

a flexible coupling having an optical end proximate the light source and the detector and a connector end proximate the connector; and

the flexible coupling having conductors that communicate the sensor signal from the optical end to the connector end.

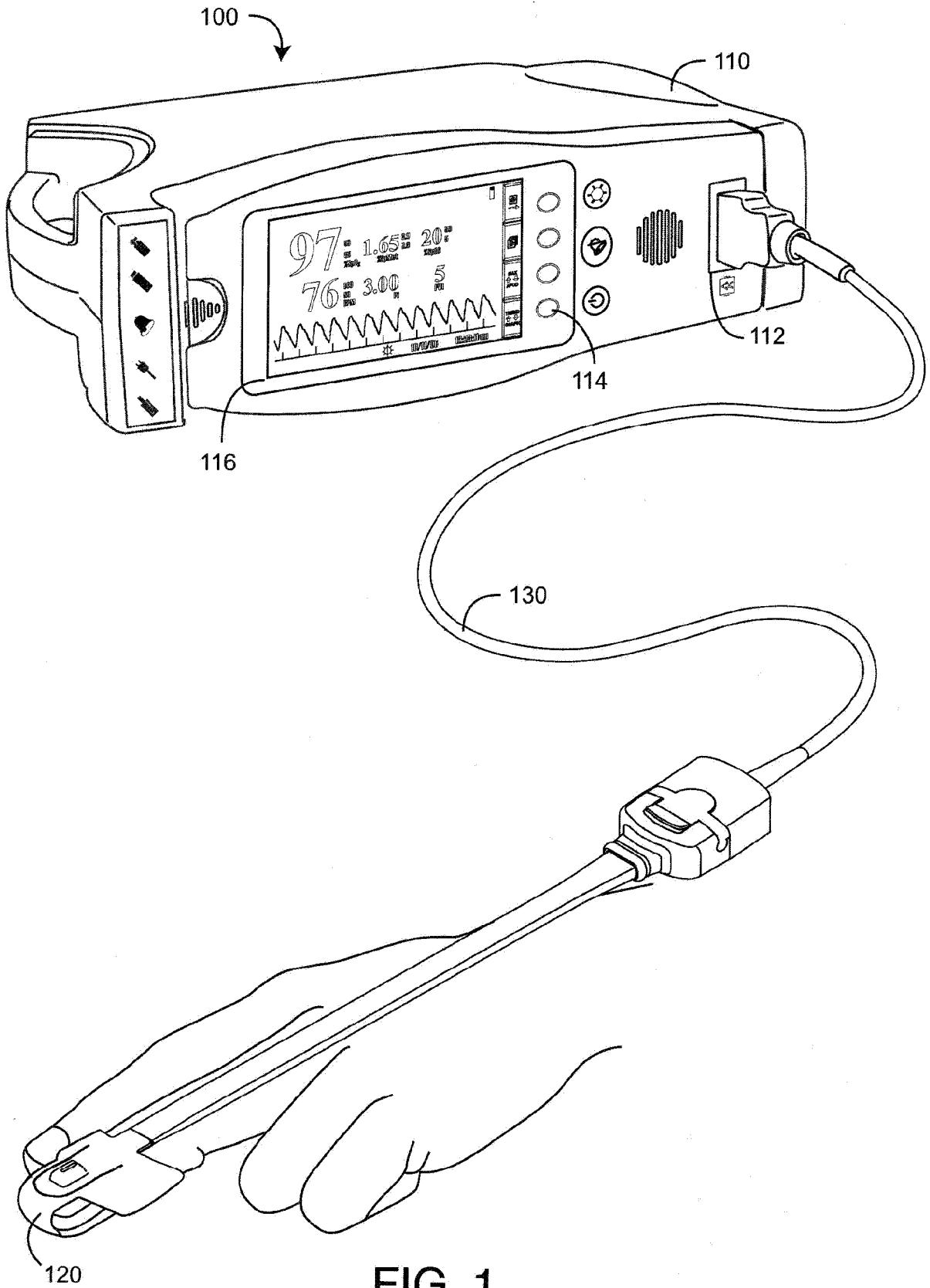


FIG. 1

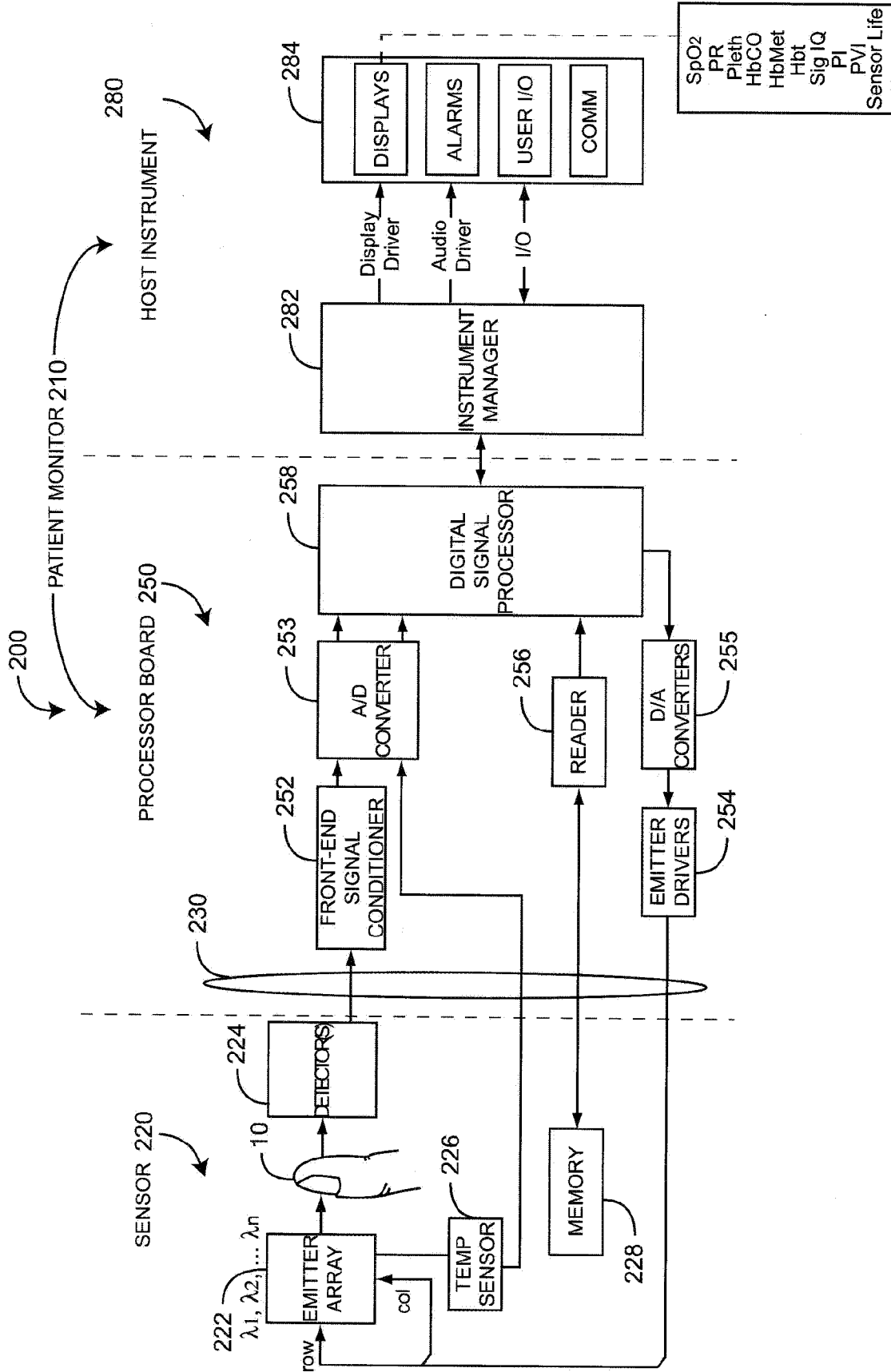


FIG. 2

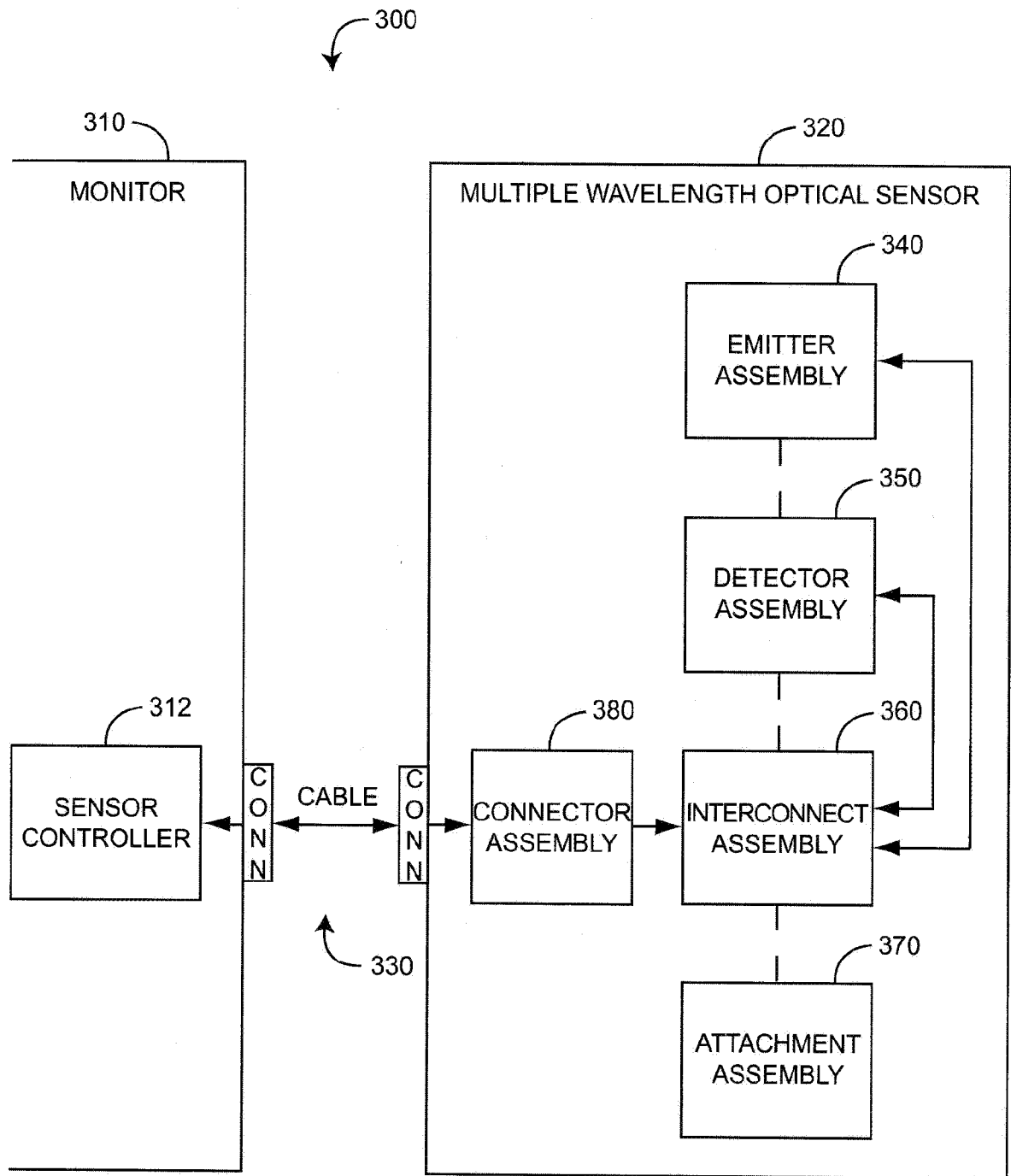


FIG. 3

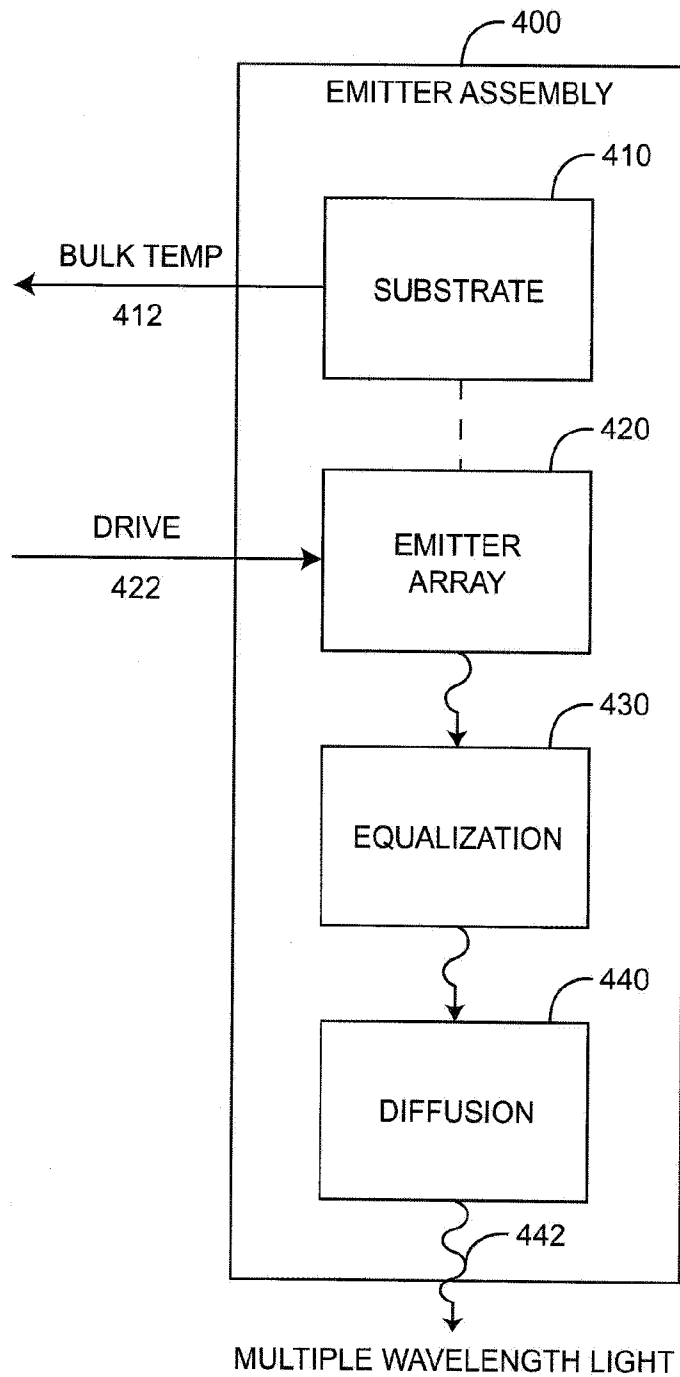


FIG. 4

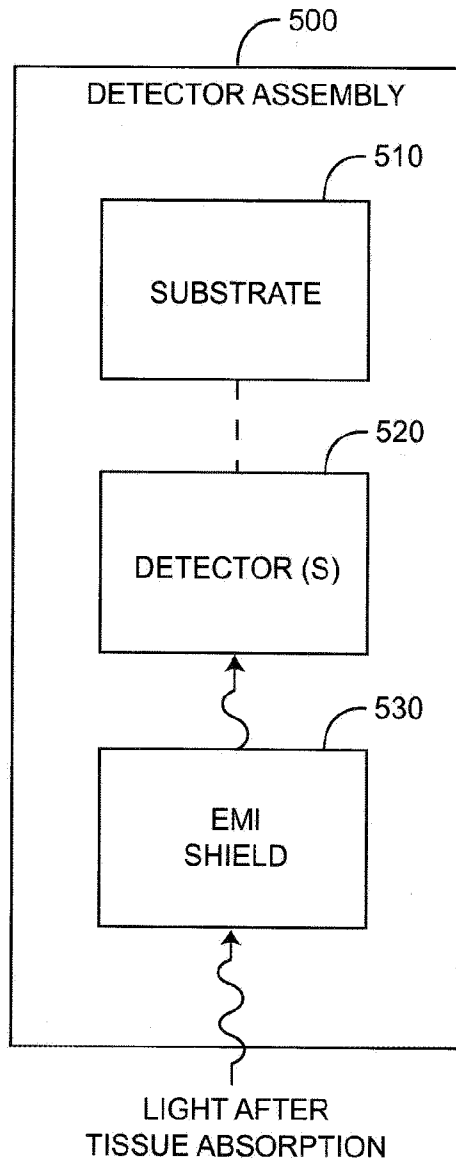


FIG. 5

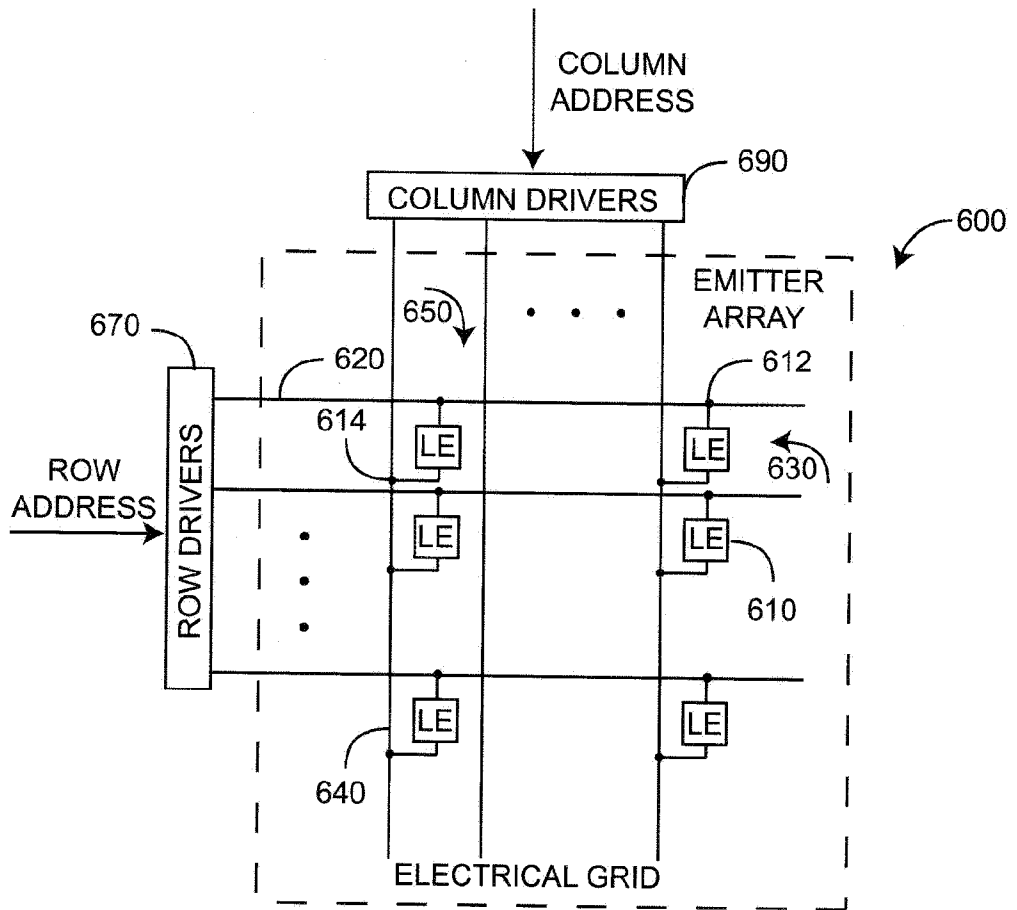


FIG. 6

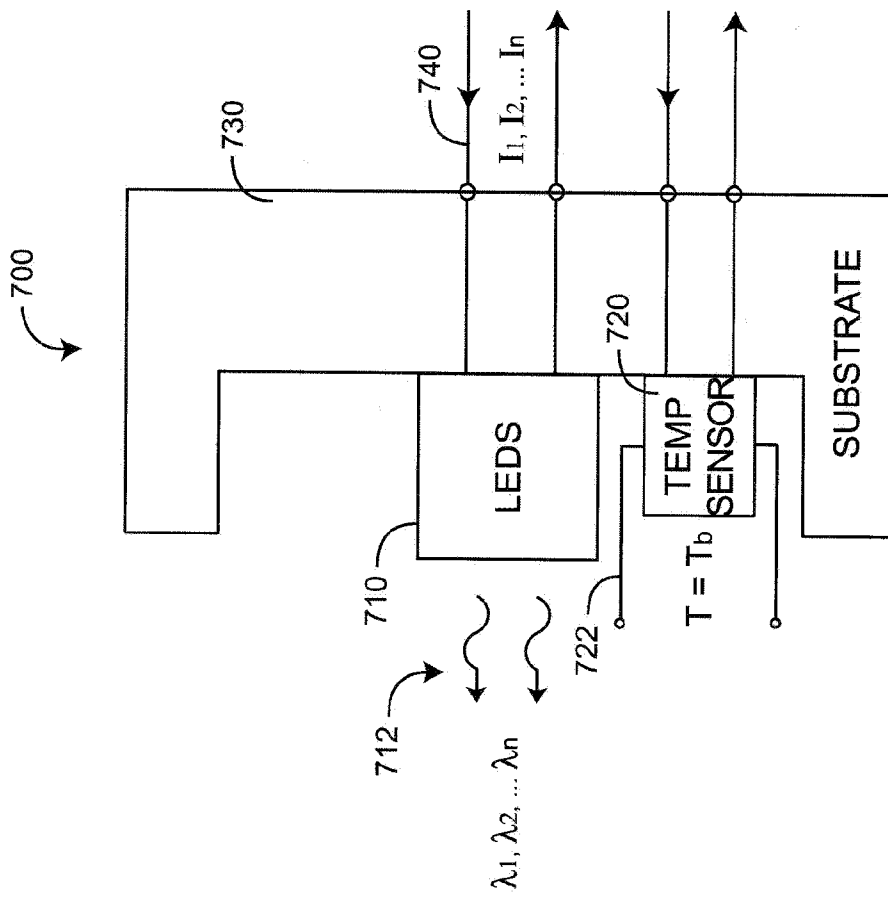


FIG. 7

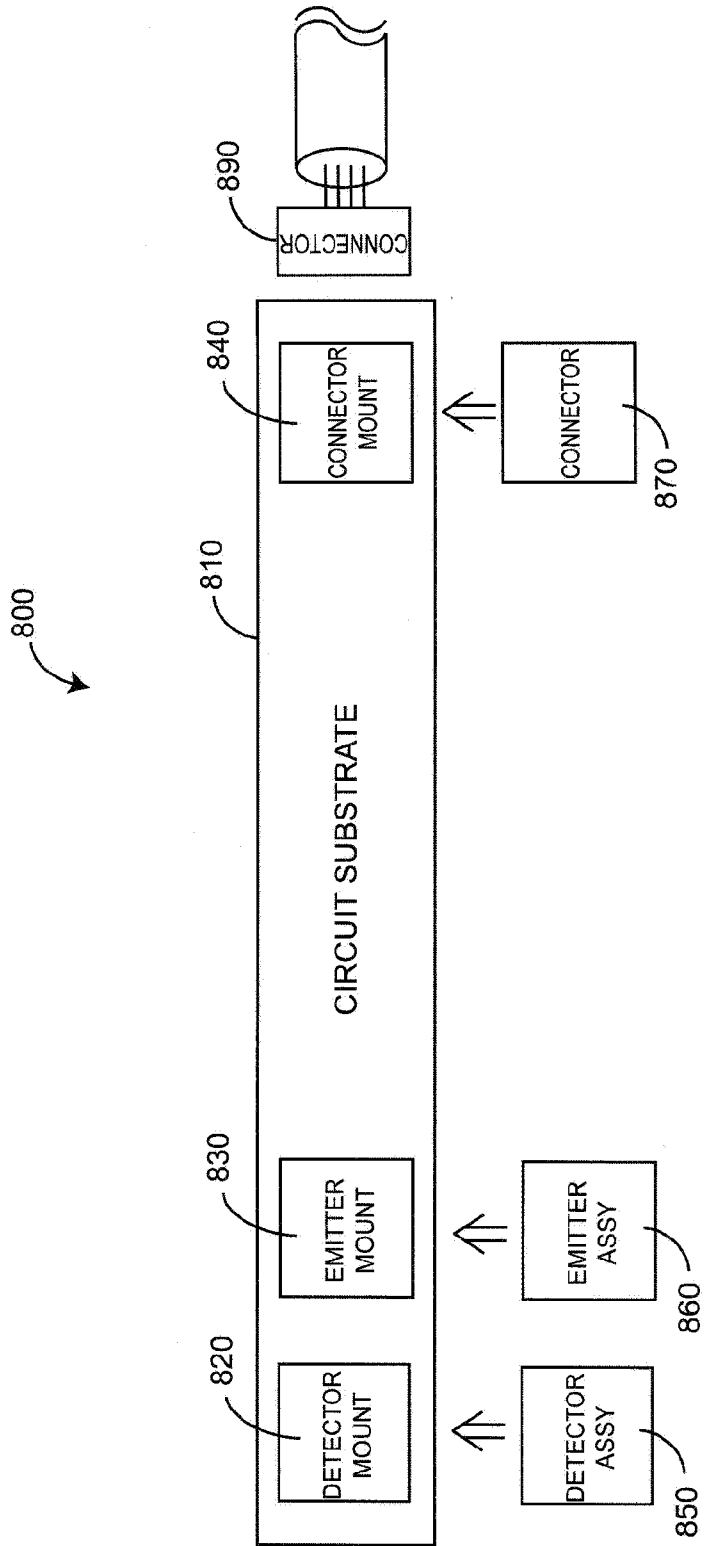


FIG. 8

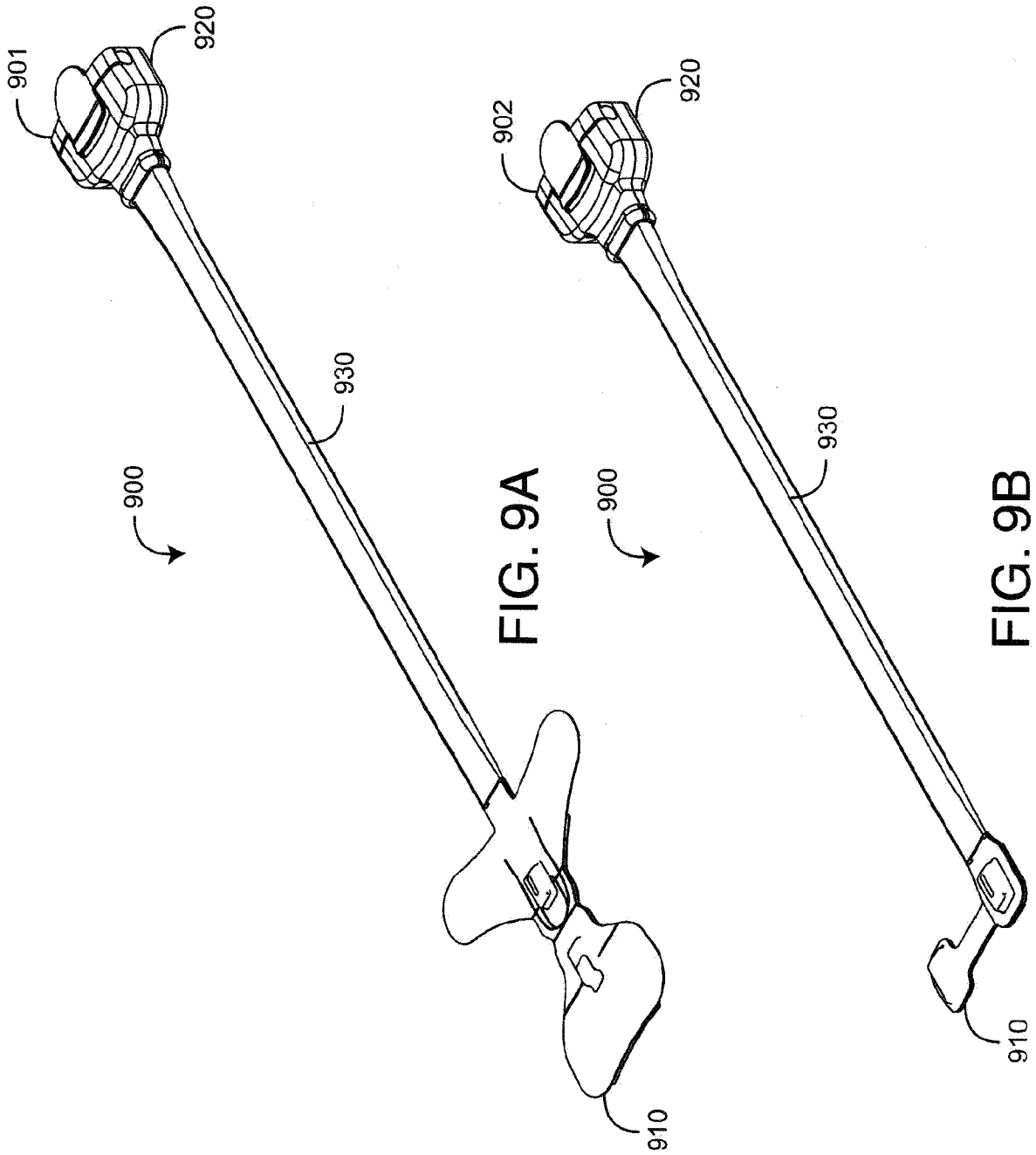


FIG. 9A

FIG. 9B

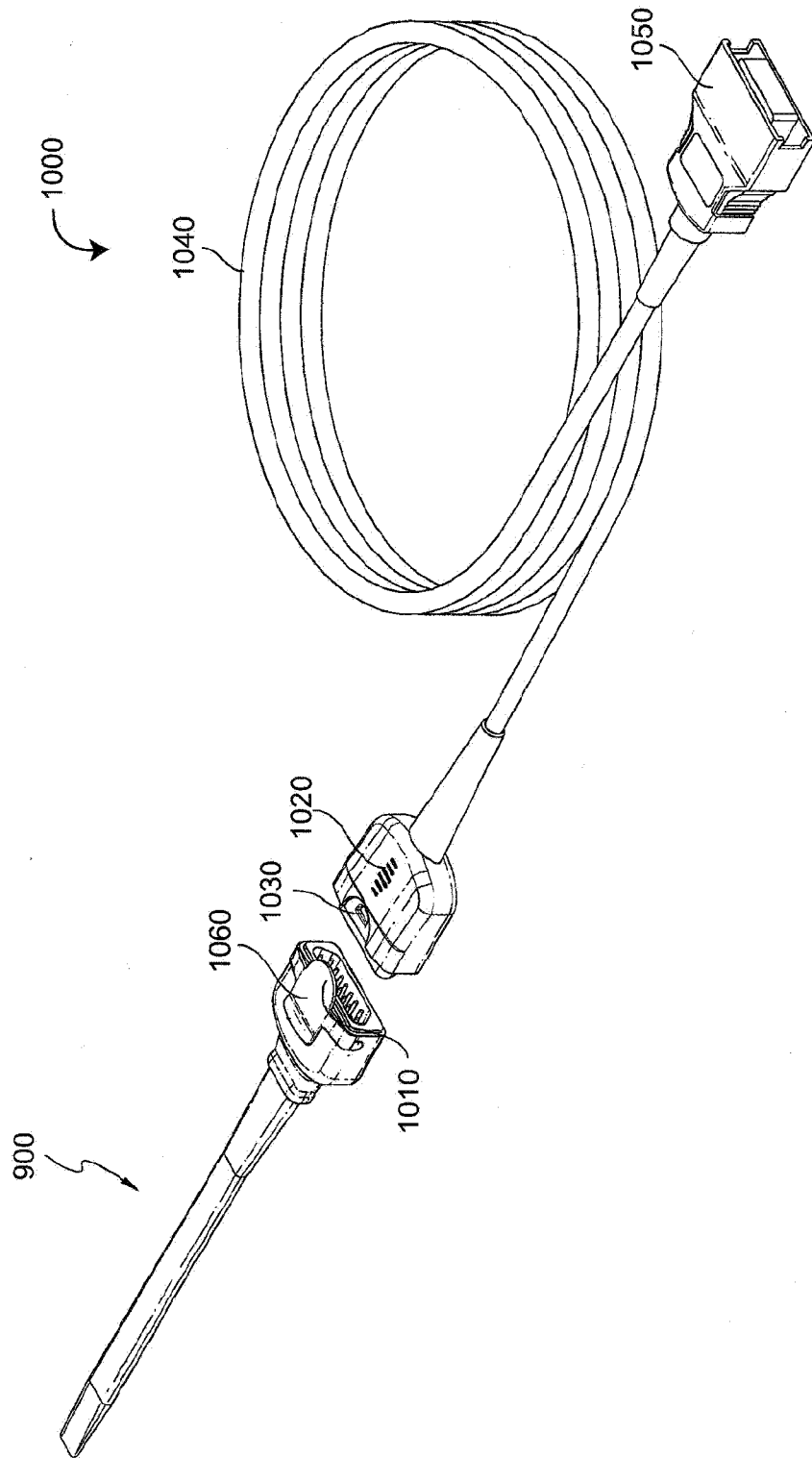


FIG. 10

11/32

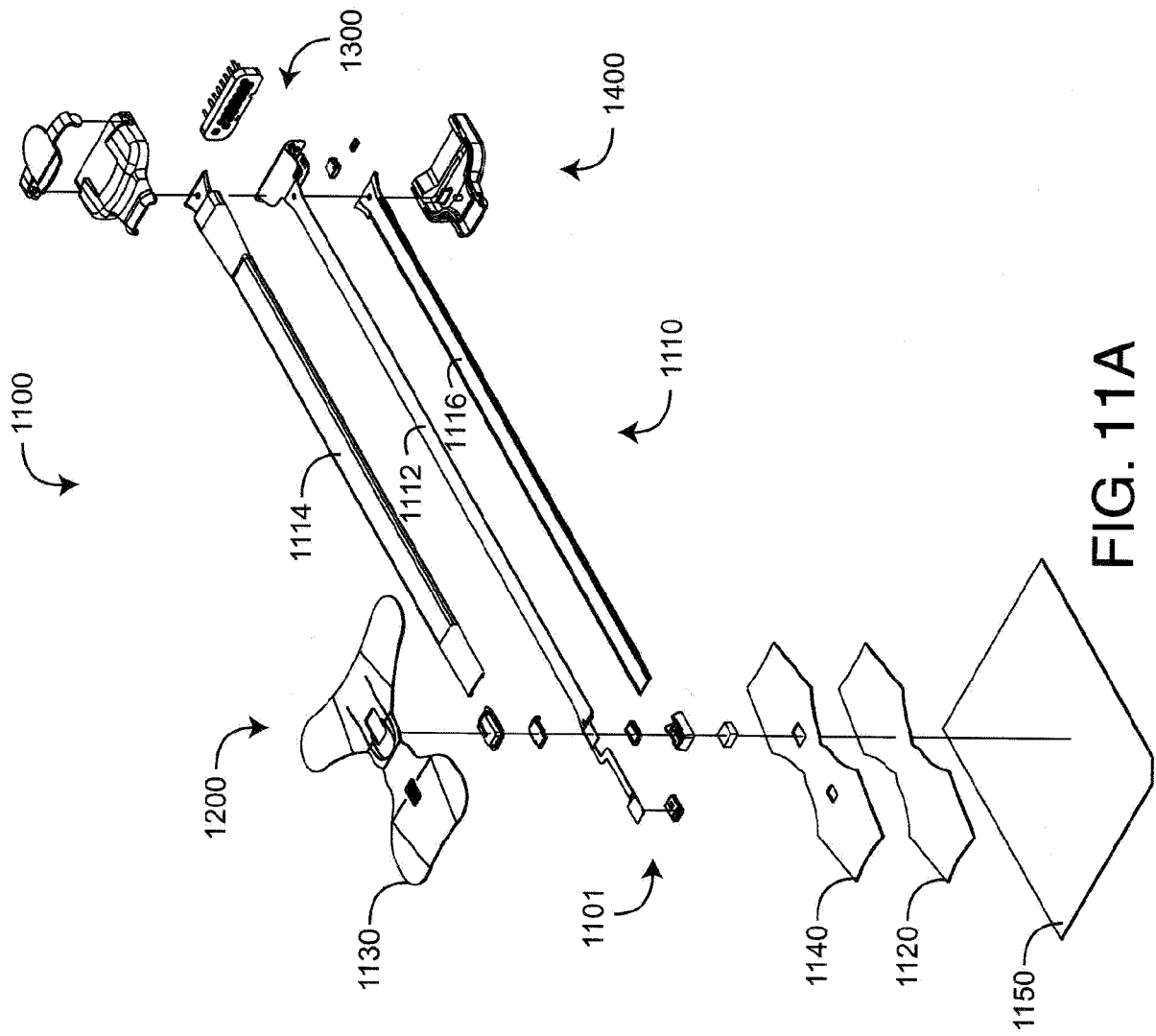


FIG. 11A

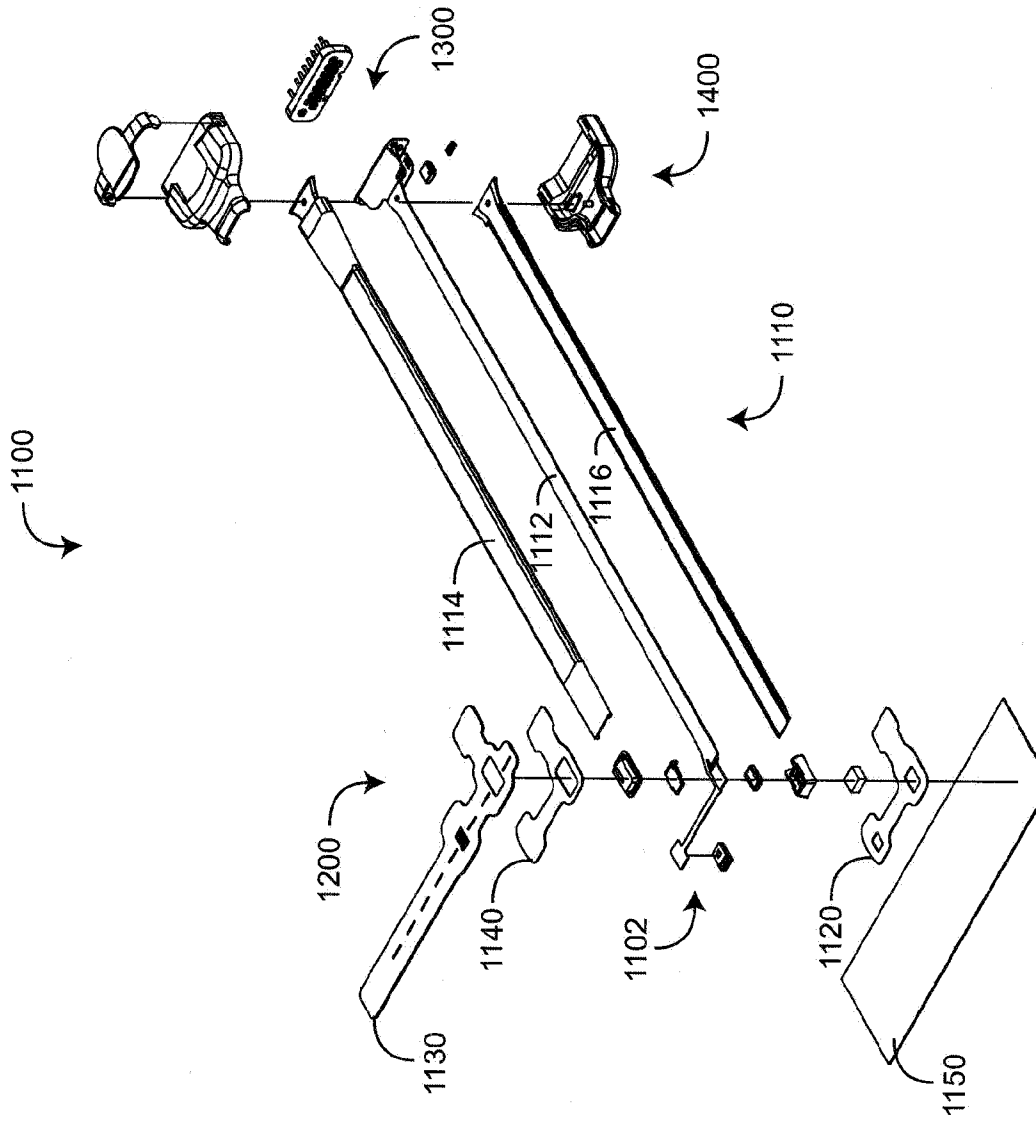


FIG. 11B

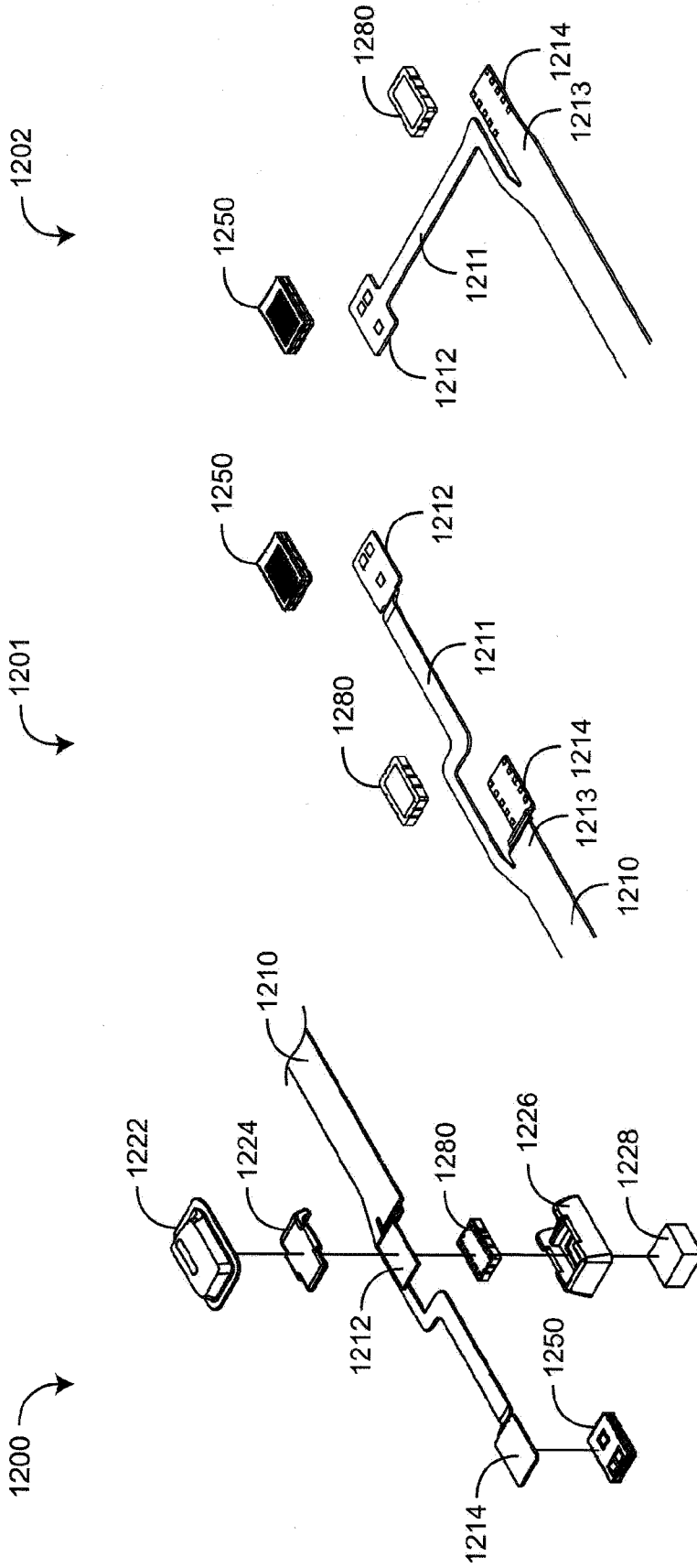


FIG. 12C

FIG. 12B

FIG. 12A

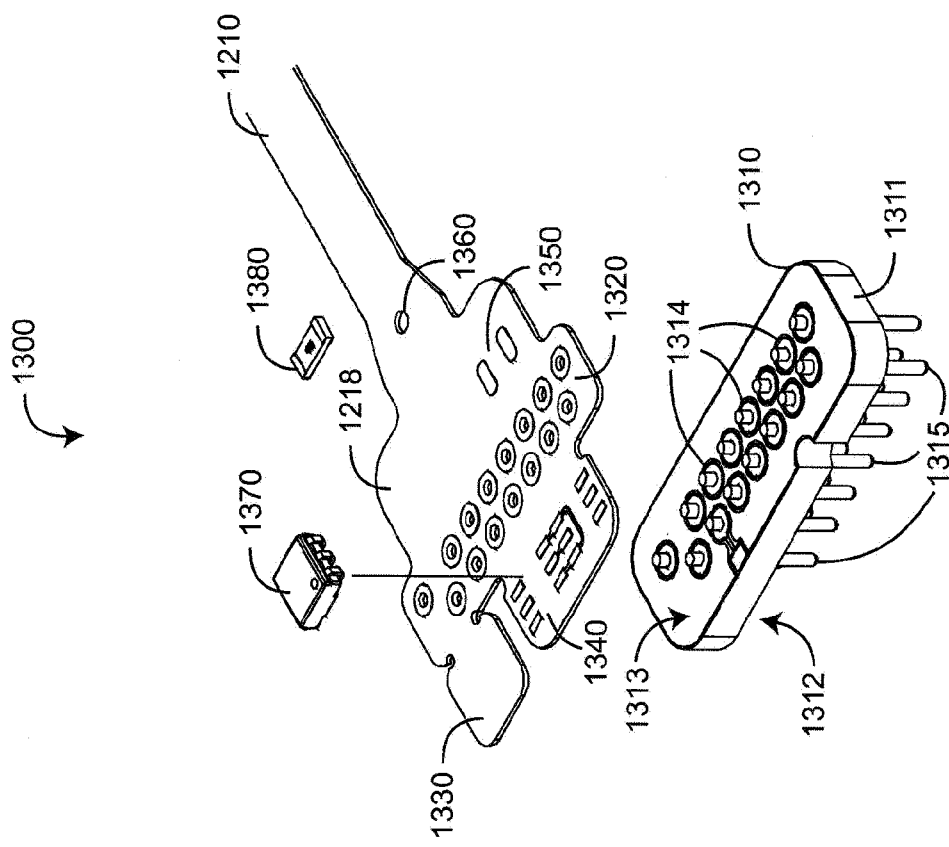


FIG. 13

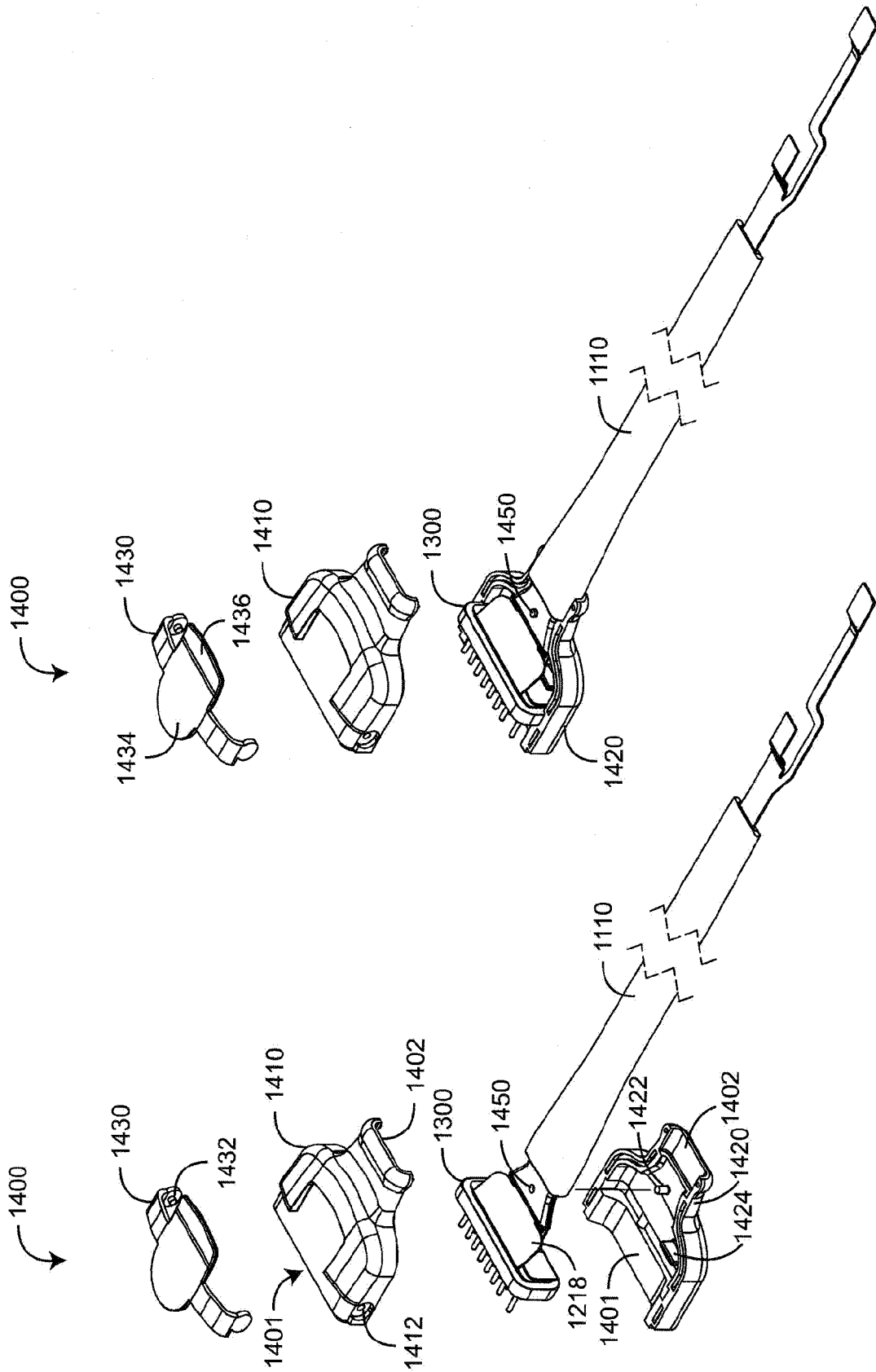


FIG. 14A

FIG. 14B

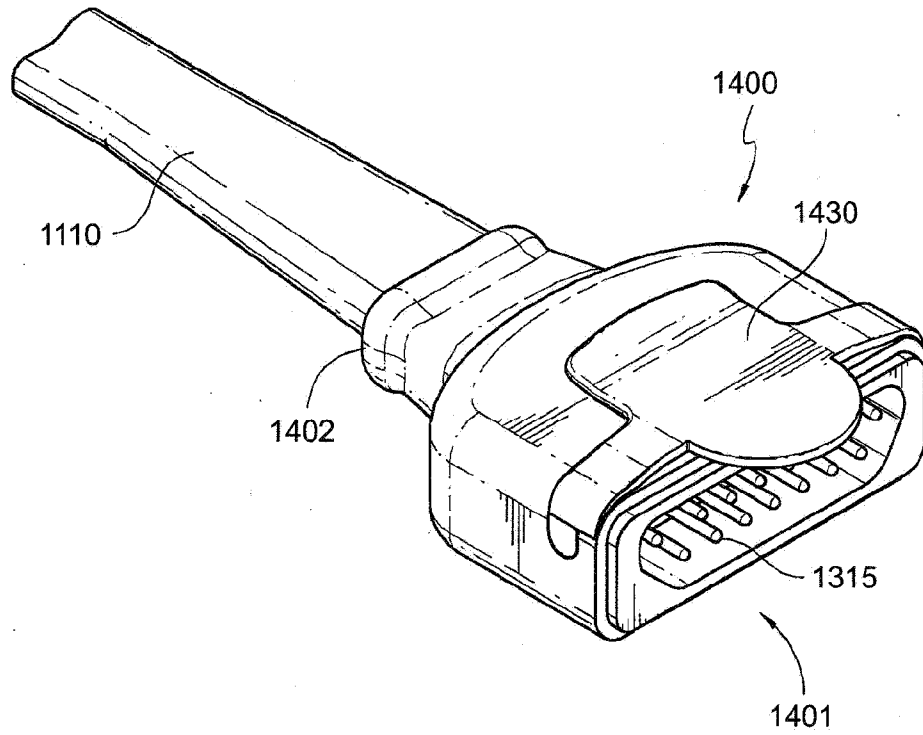


FIG. 14C

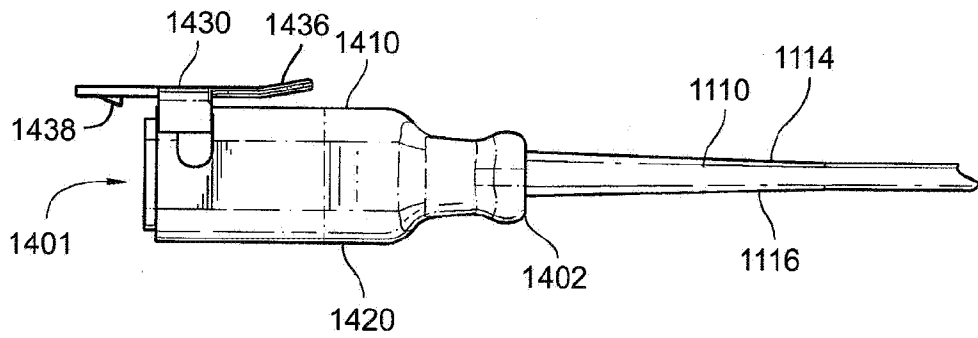


FIG. 14D

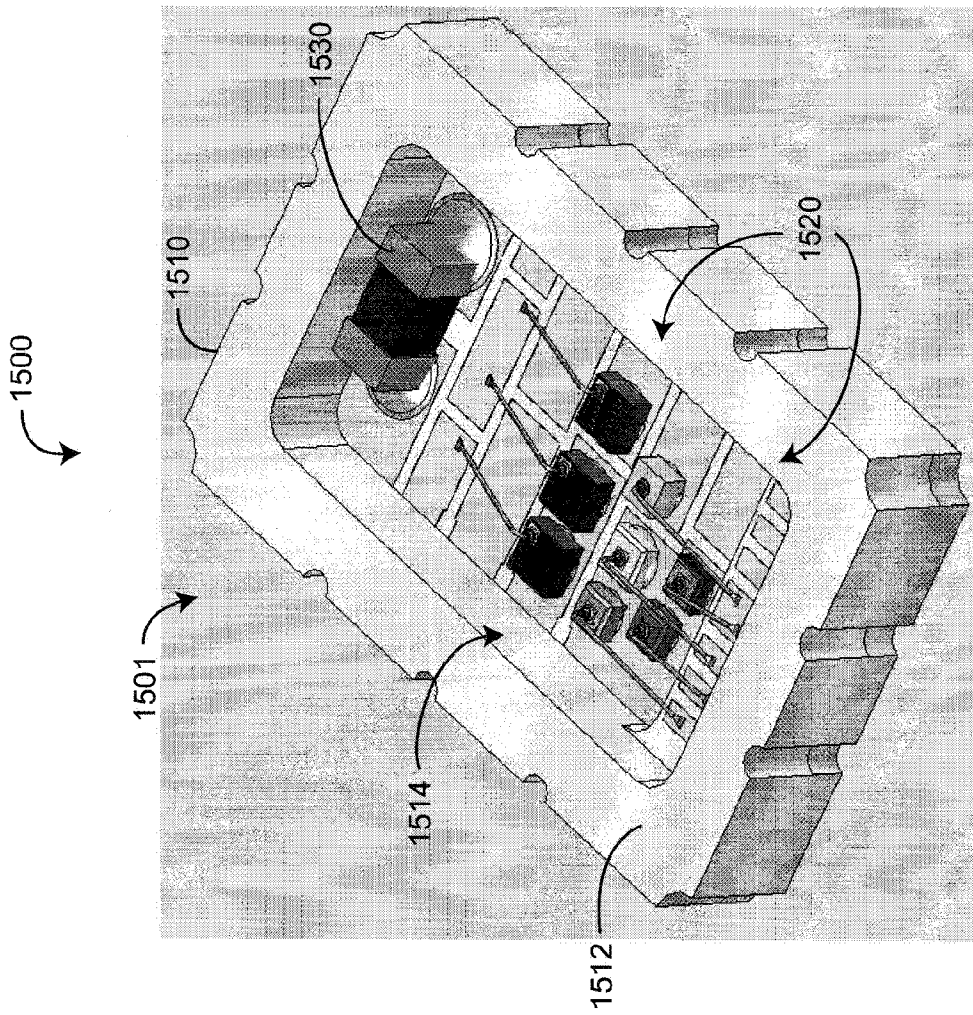


FIG. 15A

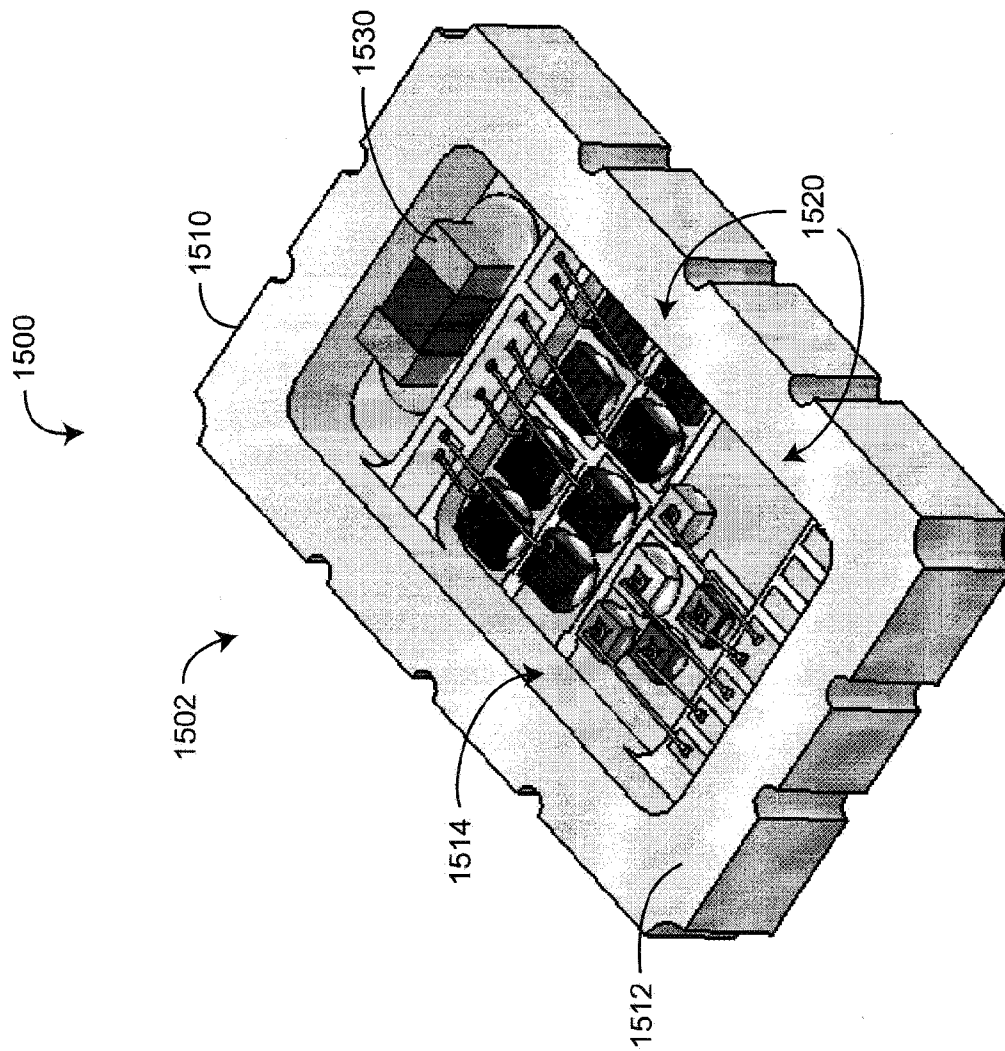


FIG. 15B

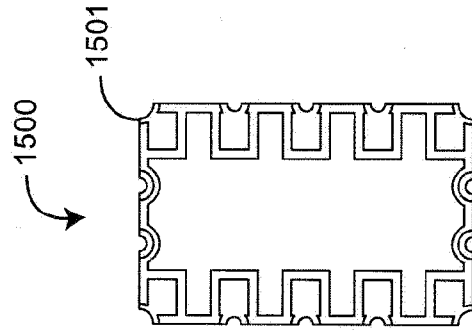


FIG. 16D

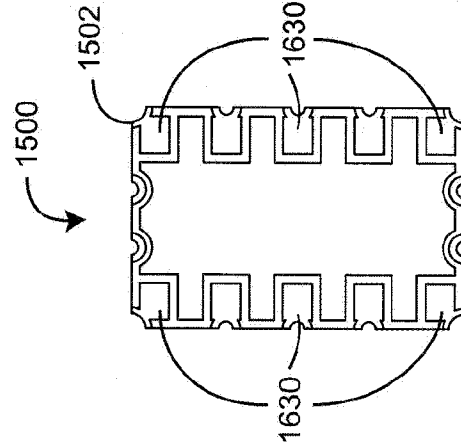


FIG. 16H

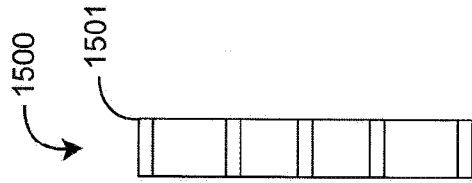


FIG. 16C

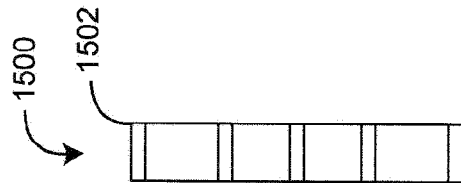


FIG. 16G

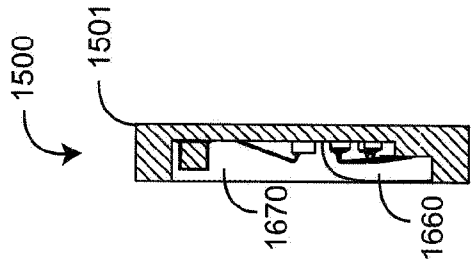


FIG. 16B

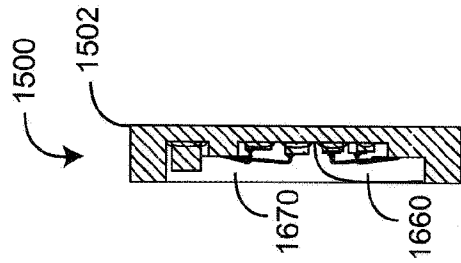


FIG. 16F

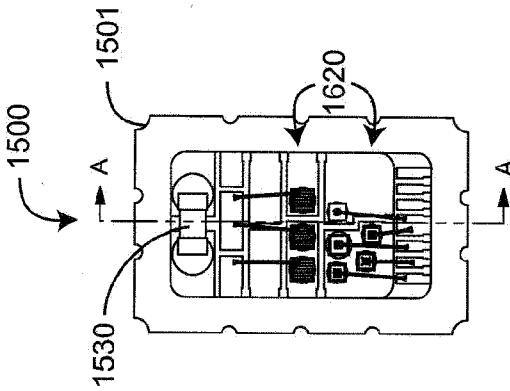


FIG. 16A

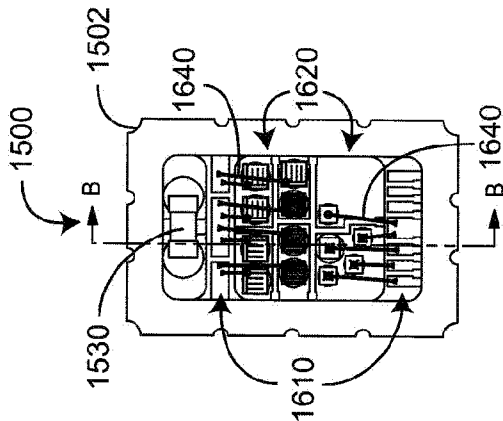


FIG. 16E

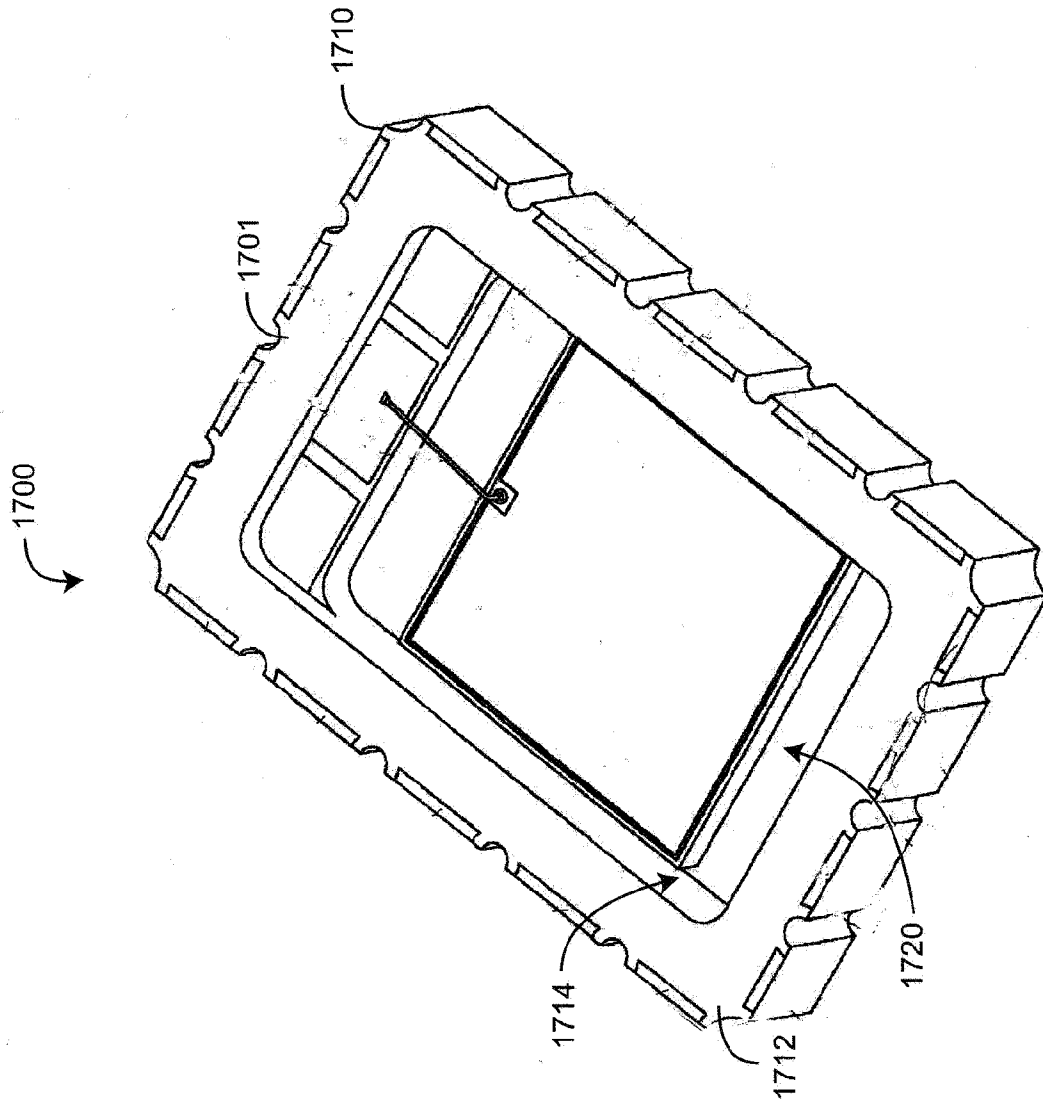


FIG. 17A

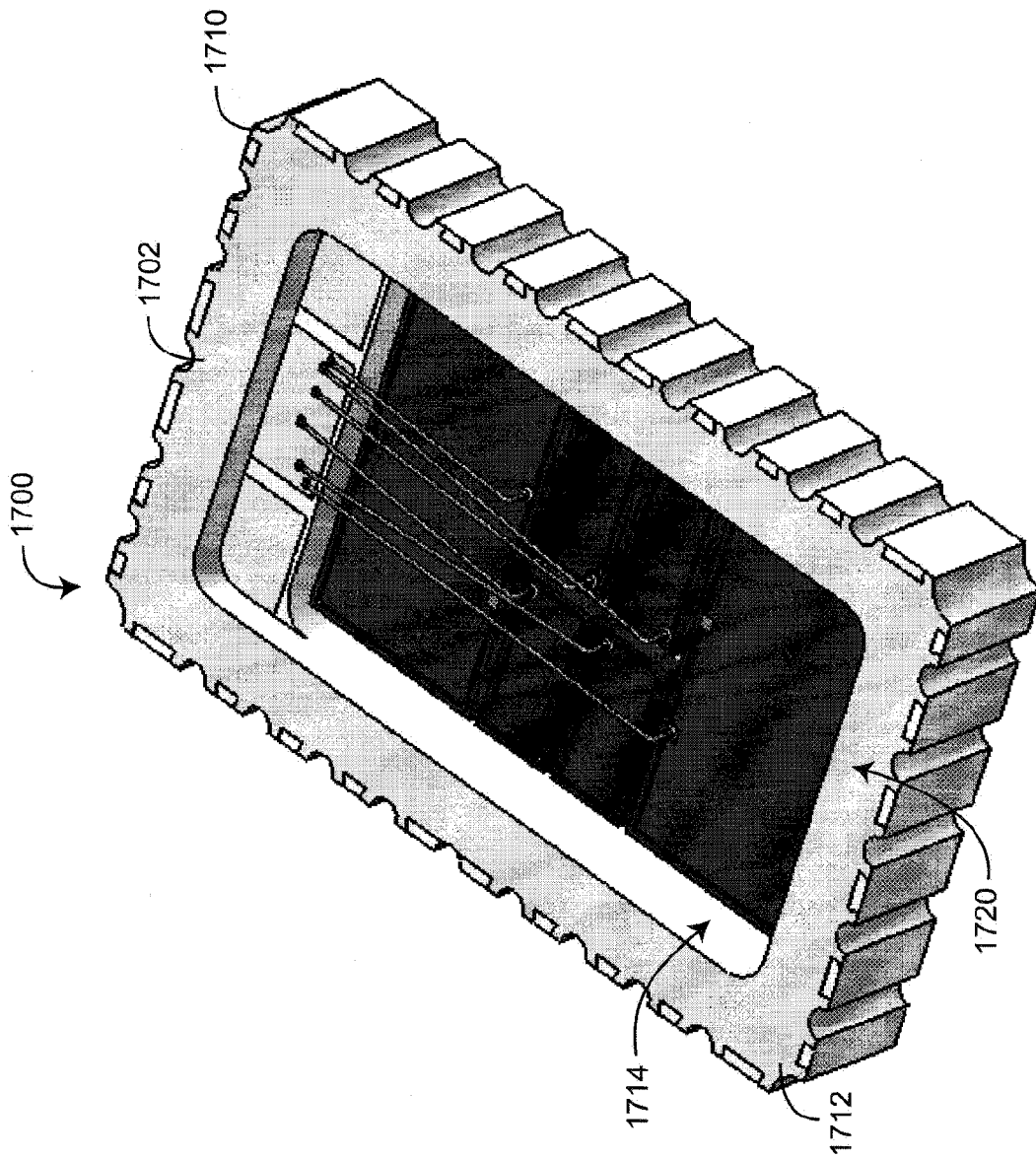


FIG. 17B

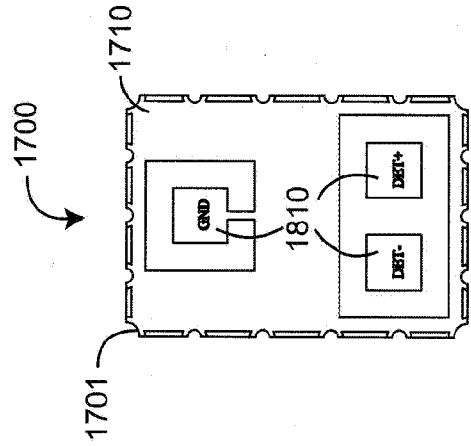


FIG. 18D

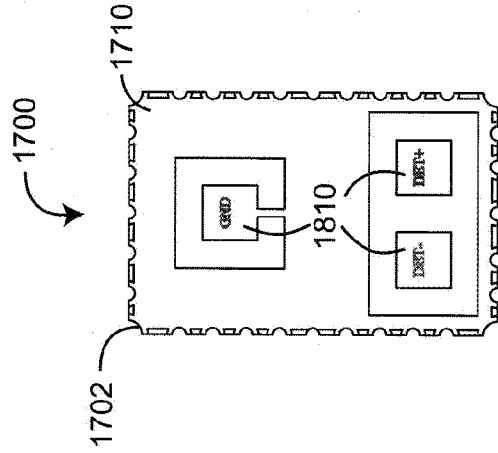


FIG. 18H

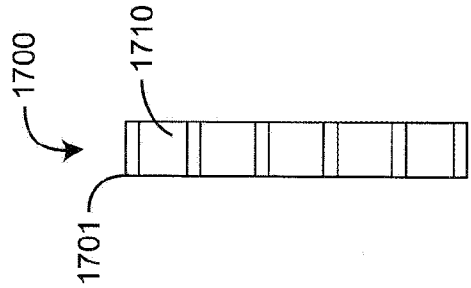


FIG. 18C

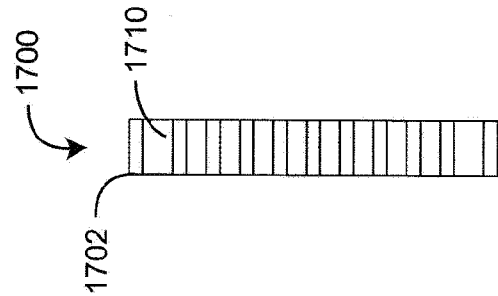


FIG. 18G

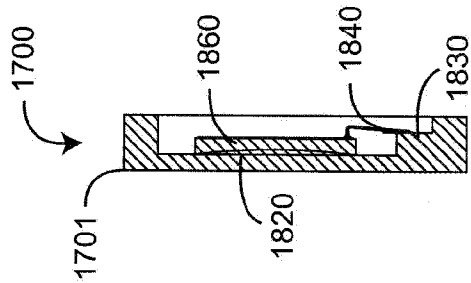


FIG. 18B

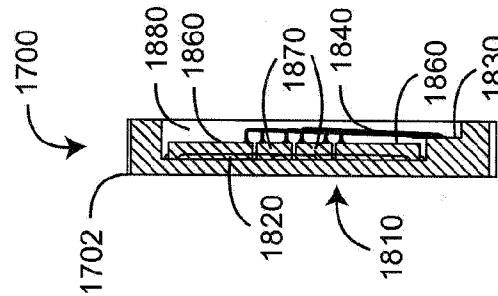


FIG. 18F

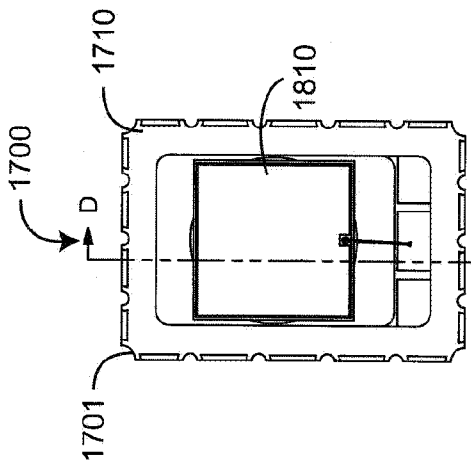


FIG. 18A

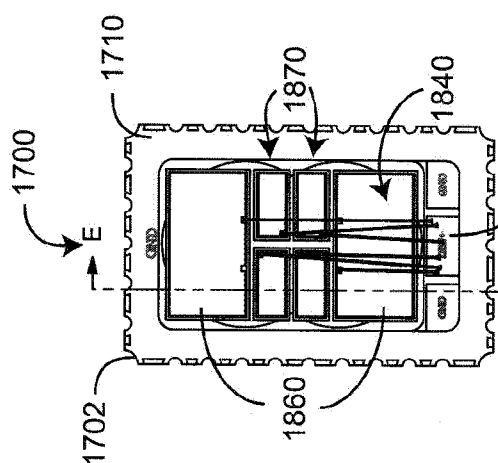


FIG. 18E

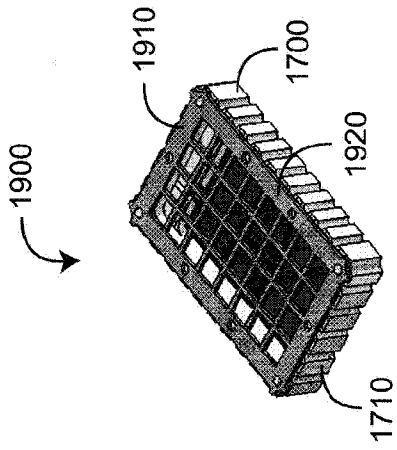


FIG. 19A

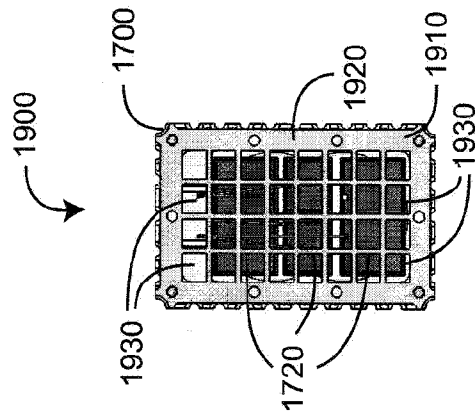


FIG. 19B

2002

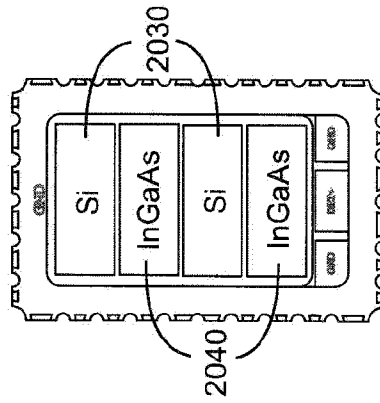


FIG. 20B

2001

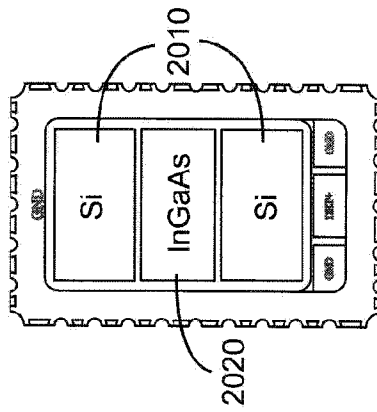
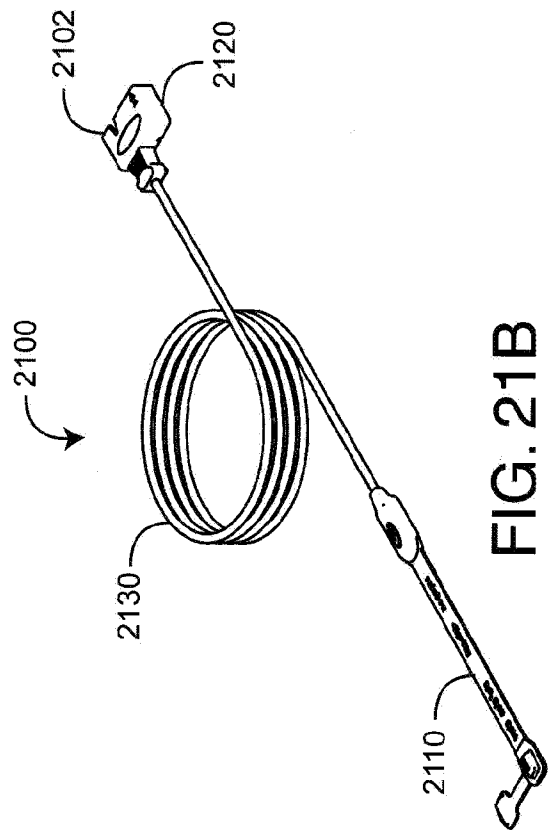
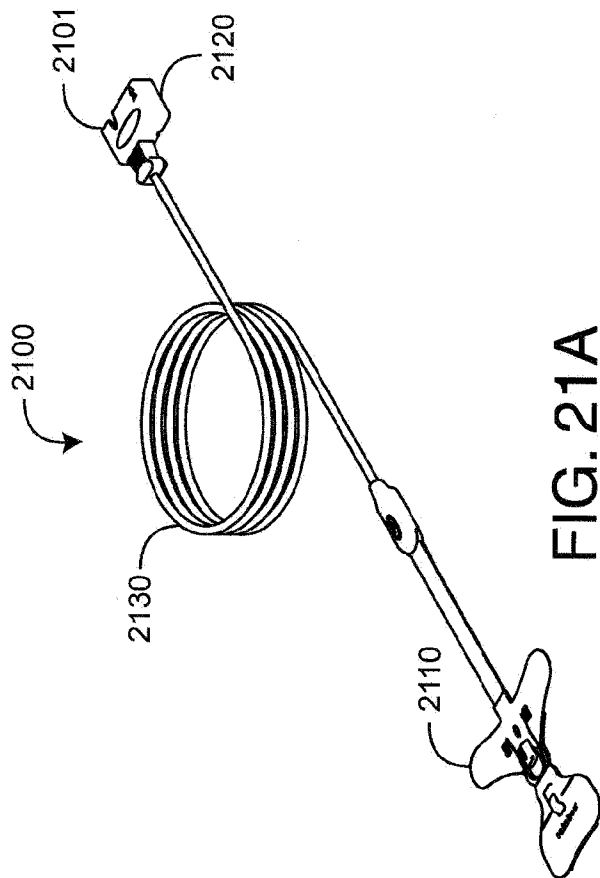


FIG. 20A



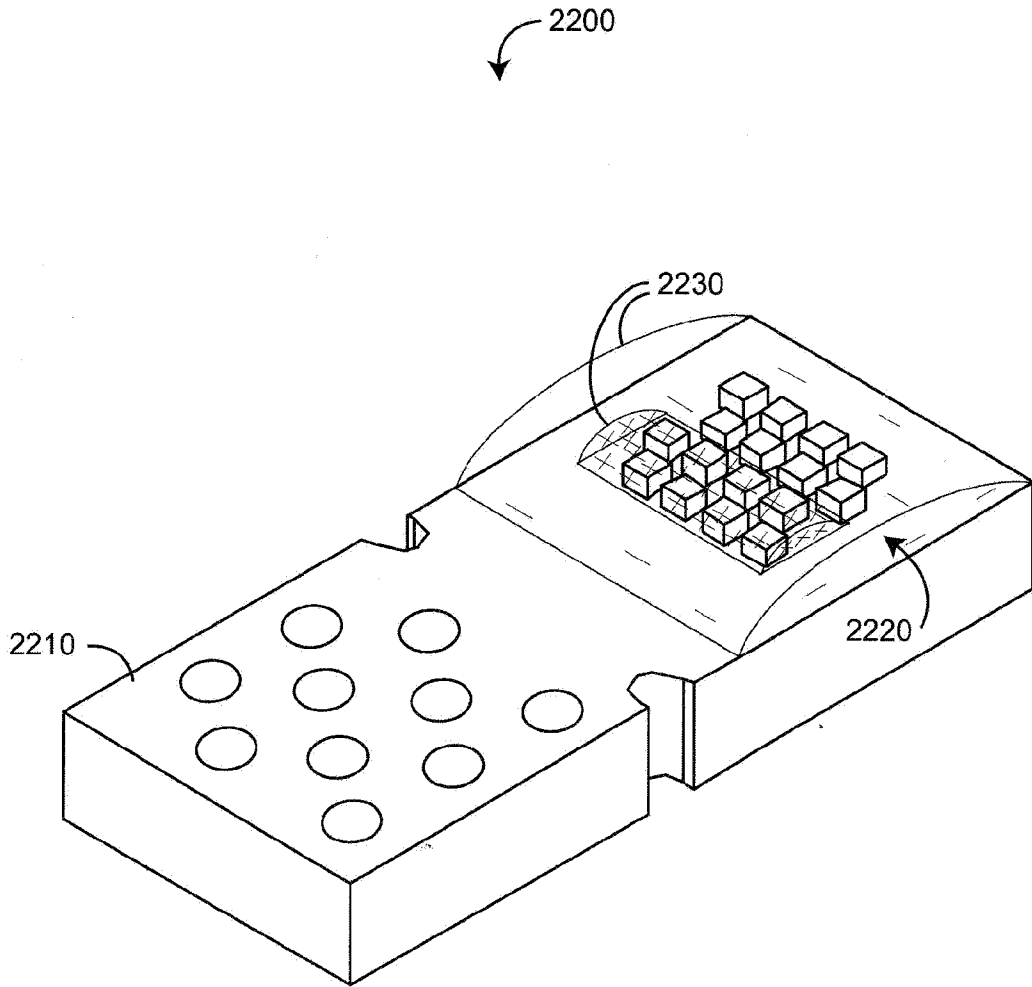


FIG. 22

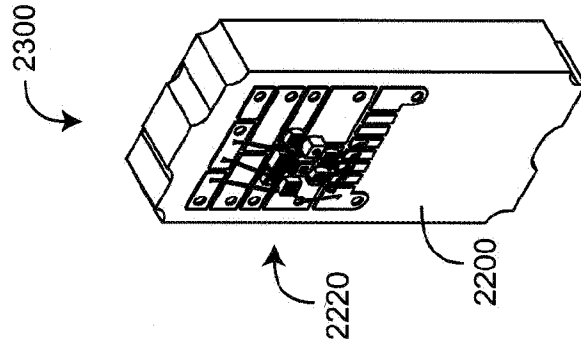


FIG. 23D

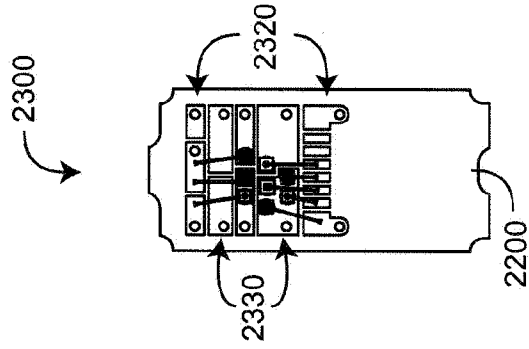


FIG. 23C

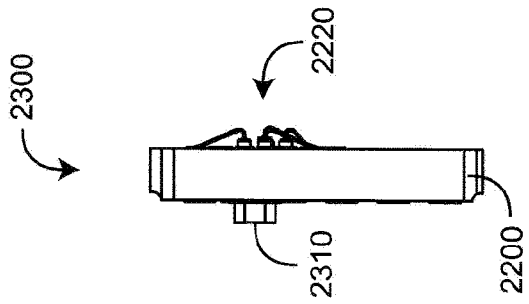


FIG. 23B

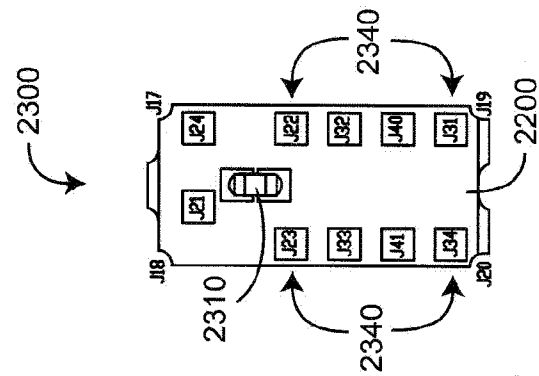


FIG. 23A

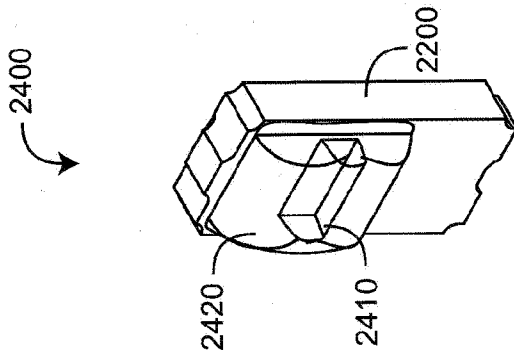


FIG. 24A

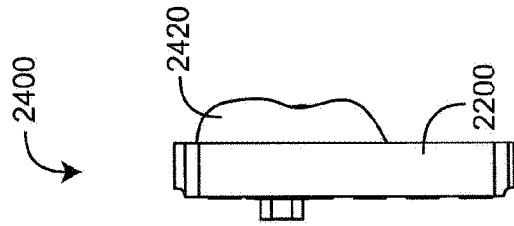


FIG. 24B

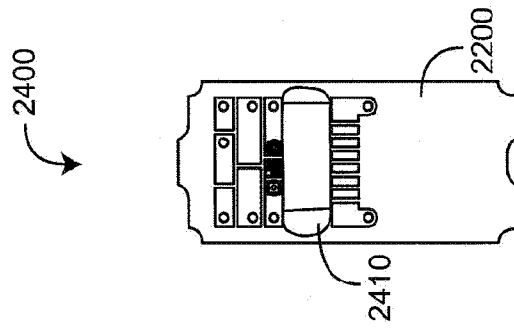


FIG. 24C

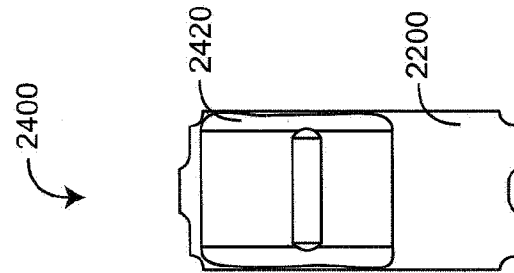


FIG. 24D

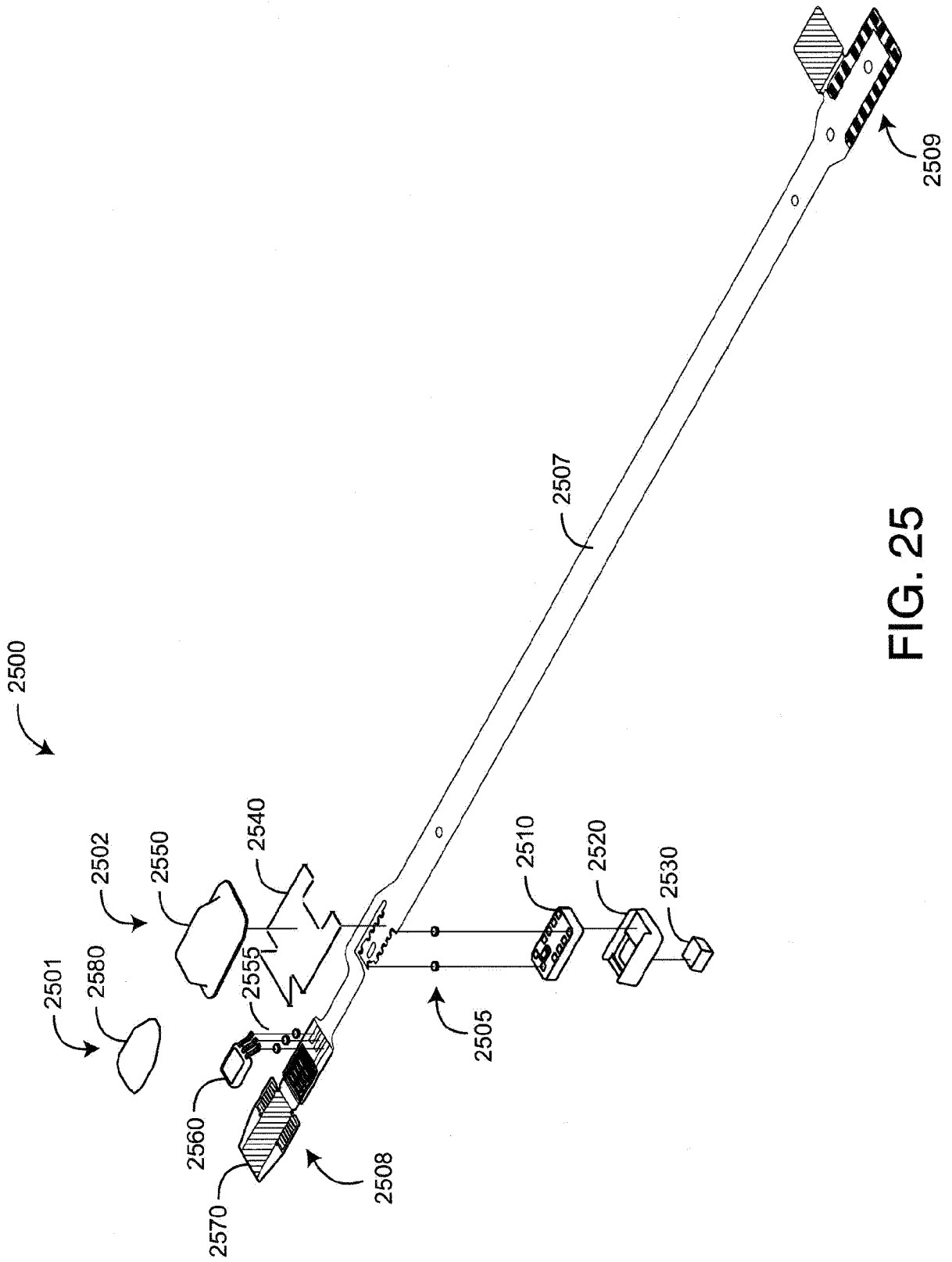


FIG. 25

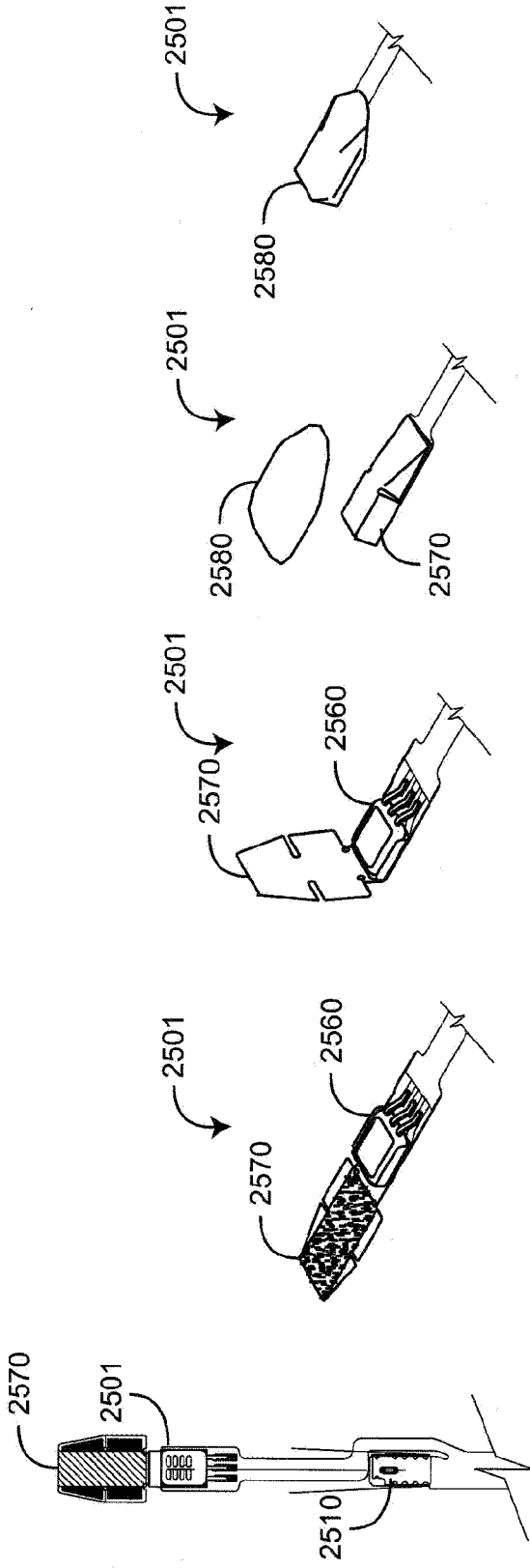


FIG. 26A FIG. 26B FIG. 26C FIG. 26D FIG. 26E

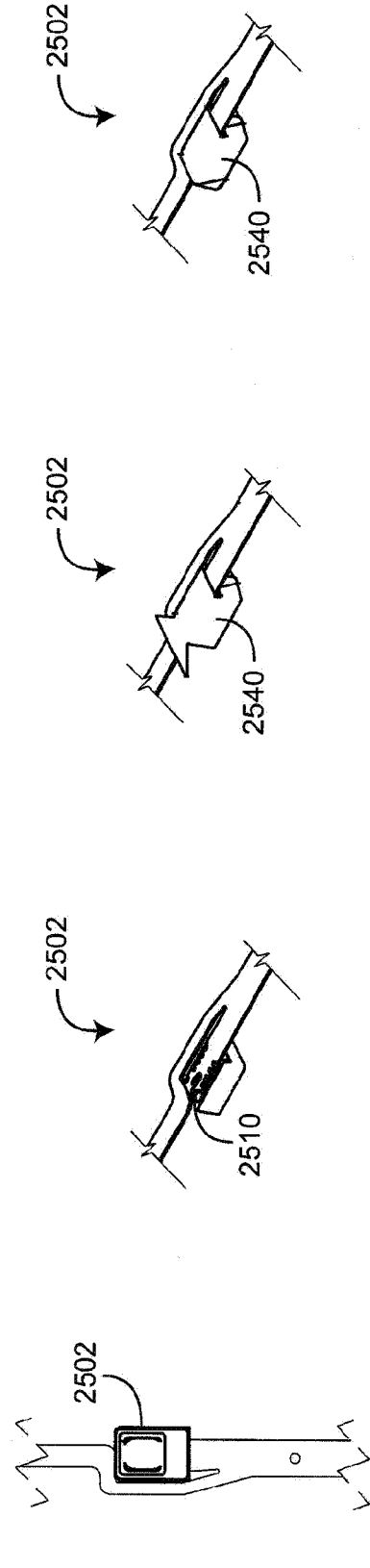


FIG. 26F FIG. 26G FIG. 26H FIG. 26I

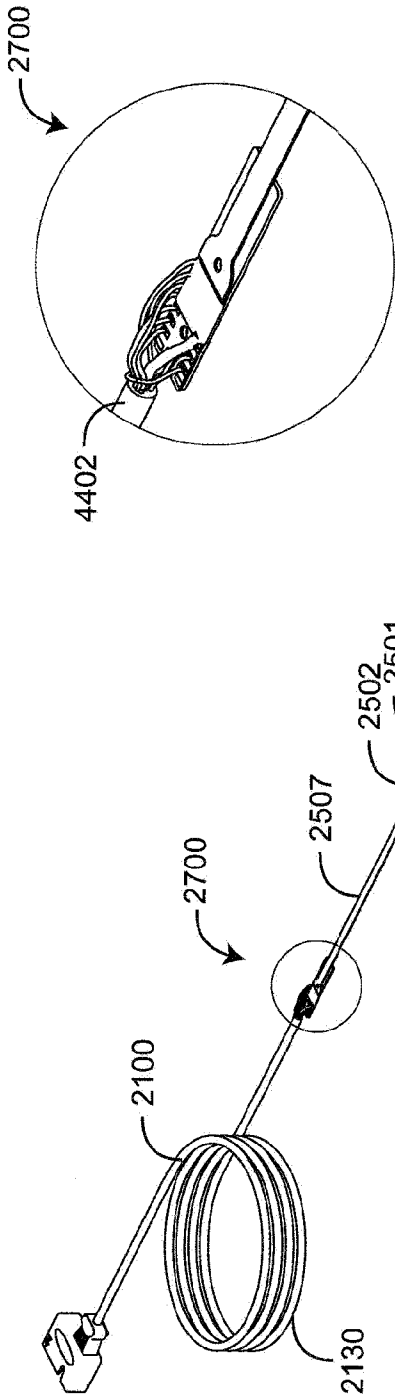


FIG. 27A

FIG. 27B

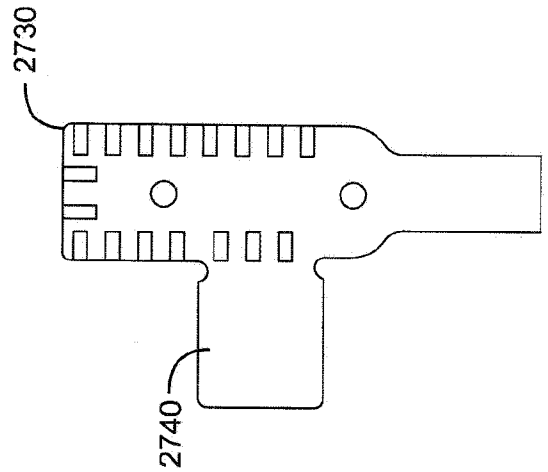
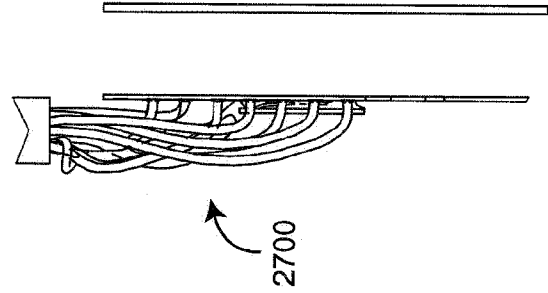
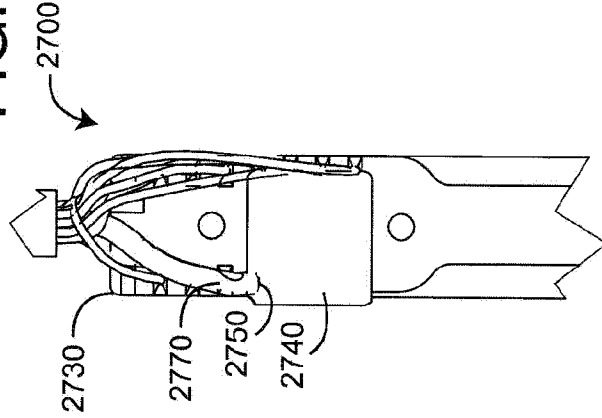


FIG. 27C

FIG. 27D

FIG. 27E

FIG. 27E

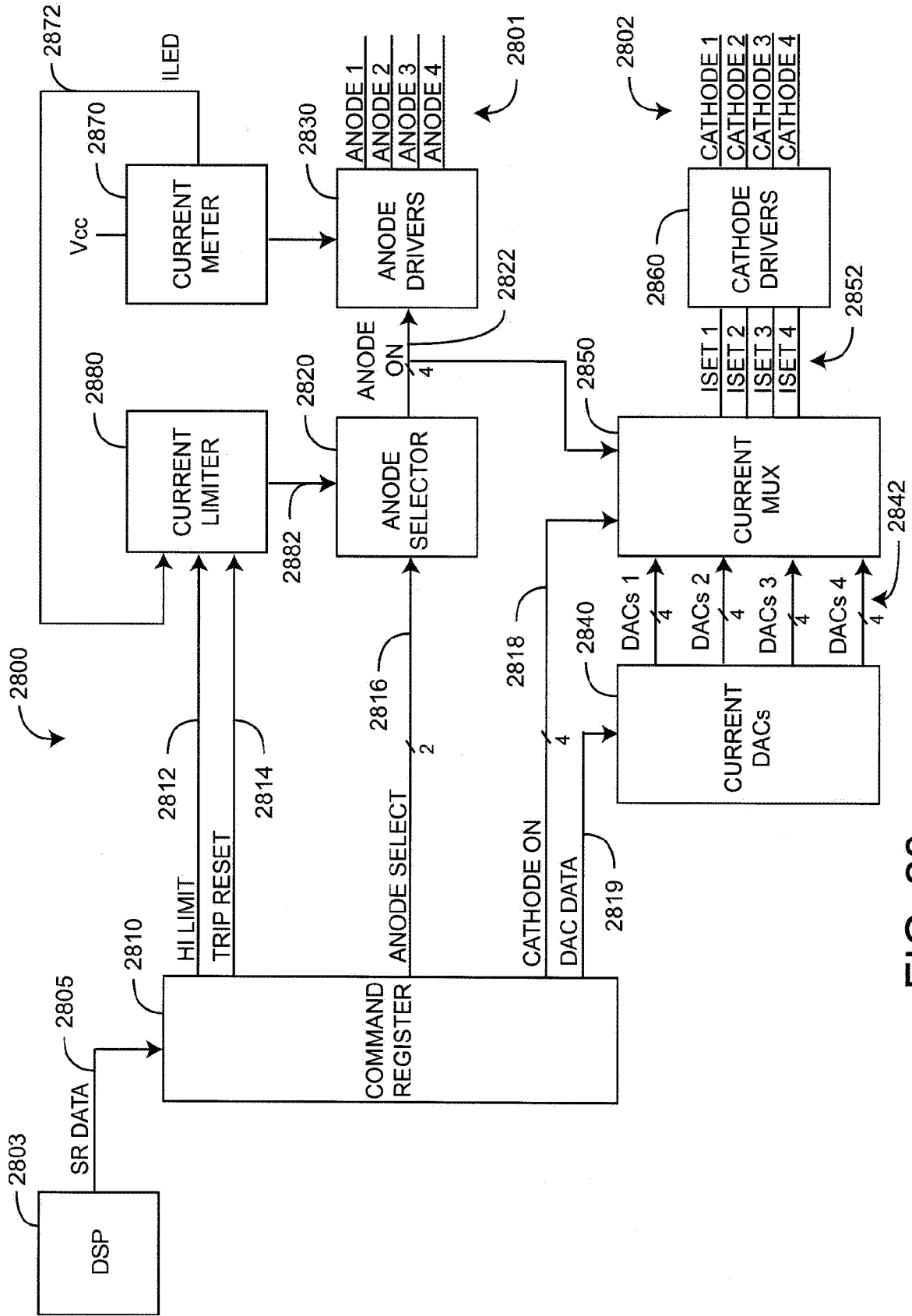


FIG. 28

INTERNATIONAL SEARCH REPORT

International application No
PCT/US2008/058327

A. CLASSIFICATION OF SUBJECT MATTER
INV. A61B5/00

According to International Patent Classification (IPC) or to both national classification and IPC

B. FIELDS SEARCHED

Minimum documentation searched (classification system followed by classification symbols)
A61B A61N

Documentation searched other than minimum documentation to the extent that such documents are included in the fields searched

Electronic data base consulted during the international search (name of data base and, where practical, search terms used)

EPO-Internal

C. DOCUMENTS CONSIDERED TO BE RELEVANT

Category*	Citation of document, with indication, where appropriate, of the relevant passages	Relevant to claim No.
X	WO 96/13208 A (MASIMO CORP [US]) 9 May 1996 (1996-05-09) page 19, line 31 - page 23, line 15 figures 26-28	1, 9, 16, 17
Y		2, 3, 10-13, 18-20
A		4-8, 14, 15
Y	JP 2003 084108 A (KEIWA INC) 19 March 2003 (2003-03-19) paragraphs [0027], [0028], [0035], [0046] figures 1, 2, 3b	2, 3, 10-13, 18-20
	----- -/-- -----	

Further documents are listed in the continuation of Box C.

See patent family annex.

* Special categories of cited documents :

- *A* document defining the general state of the art which is not considered to be of particular relevance
- *E* earlier document but published on or after the international filing date
- *L* document which may throw doubts on priority claim(s) or which is cited to establish the publication date of another citation or other special reason (as specified)
- *O* document referring to an oral disclosure, use, exhibition or other means
- *P* document published prior to the international filing date but later than the priority date claimed

- *T* later document published after the international filing date or priority date and not in conflict with the application but cited to understand the principle or theory underlying the invention
- *X* document of particular relevance; the claimed invention cannot be considered novel or cannot be considered to involve an inventive step when the document is taken alone
- *Y* document of particular relevance; the claimed invention cannot be considered to involve an inventive step when the document is combined with one or more other such documents, such combination being obvious to a person skilled in the art.
- *&* document member of the same patent family

Date of the actual completion of the international search

25 July 2008

Date of mailing of the international search report

12/08/2008

Name and mailing address of the ISA/

European Patent Office, P.B. 5818 Patentlaan 2
NL - 2280 HV Rijswijk
Tel. (+31-70) 340-2040, Tx. 31 651 epo nl,
Fax: (+31-70) 340-3016

Authorized officer

Doyle, Aidan

INTERNATIONAL SEARCH REPORT

International application No

PCT/US2008/058327

C(Continuation). DOCUMENTS CONSIDERED TO BE RELEVANT

Category*	Citation of document, with indication, where appropriate, of the relevant passages	Relevant to claim No.
X	JP 2005 253478 A (CITIZEN WATCH CO LTD) 22 September 2005 (2005-09-22) paragraph [0017] figure 4	1,16,17
Y		2,3, 18-20
A		4-15
A	----- WO 02/26123 A (INSTRUMENTATION METRICS INC [US] SENSYS MEDICAL INC [US]) 4 April 2002 (2002-04-04) the whole document	9,11,12, 17
A	----- US 2003/116769 A1 (SONG KYUNG SUB [KR] ET AL) 26 June 2003 (2003-06-26) the whole document	9,11,12, 17
A	----- US 6 861 641 B1 (ADAMS RICH [US]) 1 March 2005 (2005-03-01) the whole document	9,11,12, 17

INTERNATIONAL SEARCH REPORT

Information on patent family members

International application No

PCT/US2008/058327

Patent document cited in search report		Publication date	Patent family member(s)	Publication date
WO 9613208	A	09-05-1996	AT 195409 T	15-09-2000
			AU 4236596 A	23-05-1996
			DE 69518434 D1	21-09-2000
			DE 69518434 T2	25-01-2001
			EP 0790800 A1	27-08-1997
			JP 3576168 B2	13-10-2004
			JP 10509352 T	14-09-1998
			JP 2004113814 A	15-04-2004
			US 5782757 A	21-07-1998
			US 6088607 A	11-07-2000
JP 2003084108	A	19-03-2003	NONE	
JP 2005253478	A	22-09-2005	WO 03077761 A1	25-09-2003
WO 0226123	A	04-04-2002	AU 9625901 A	08-04-2002
			US 2002041166 A1	11-04-2002
US 2003116769	A1	26-06-2003	DE 10227515 A1	10-07-2003
			JP 2003197974 A	11-07-2003
			KR 20030053853 A	02-07-2003
US 6861641	B1	01-03-2005	NONE	

专利名称(译)	多波长光学传感器		
公开(公告)号	EP2139383A1	公开(公告)日	2010-01-06
申请号	EP2008744412	申请日	2008-03-26
[标]申请(专利权)人(译)	MASIMO LAB		
申请(专利权)人(译)	MASIMO实验室, INC.		
当前申请(专利权)人(译)	MASIMO实验室, INC.		
[标]发明人	AL ALI AMMAR DIAB MOHAMED K PANCH ARUN ABDUL HAFIZ YASSIR MACNEISH III WILLIAM JACK		
发明人	AL-ALI, AMMAR DIAB, MOHAMED, K. PANCH, ARUN ABDUL-HAFIZ, YASSIR MACNEISH III, WILLIAM, JACK		
IPC分类号	A61B5/00		
CPC分类号	A61B5/6826 A61B5/02427 A61B5/14532 A61B5/14546 A61B5/14552 A61B5/6838 A61B2562/0238 H01L25/0753 H01L2224/48465 H01L2224/49113 H01L2924/19105 H01L2924/3025		
代理机构(译)	法思博事务所		
优先权	60/920474 2007-03-27 US 61/033007 2008-03-02 US 60/923630 2007-04-14 US		
其他公开文献	EP2139383B1		
外部链接	Espacenet		

摘要(译)

多波长光学传感器具有被配置为将具有多个波长的光辐射到组织部位中的发射器。发射器包括配置成阵列并连接在电网内的多个LED。检测器被配置成在组织部位内的脉动血流吸收之后接收光。检测器产生能够由患者监视器处理的传感器信号,以便导出氧饱和度,碳氧血红蛋白,高铁血红蛋白和总血红蛋白。