

(19) World Intellectual Property Organization
International Bureau



(43) International Publication Date
24 October 2002 (24.10.2002)

PCT

(10) International Publication Number
WO 02/082993 A1

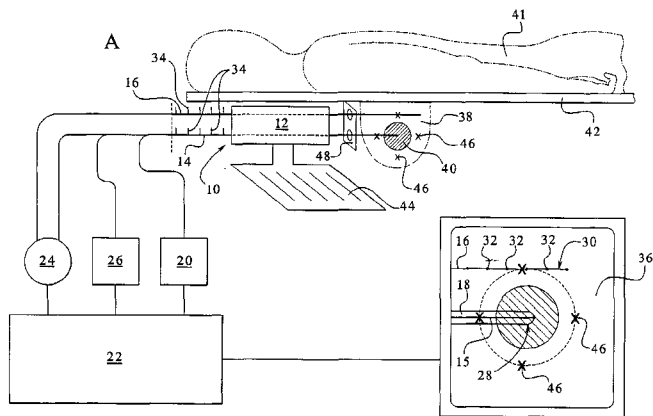
- (51) International Patent Classification⁷: A61B 5/05, 6/00
- (21) International Application Number: PCT/US02/11452
- (22) International Filing Date: 12 April 2002 (12.04.2002)
- (25) Filing Language: English
- (26) Publication Language: English
- (30) Priority Data:
09/834,873 13 April 2001 (13.04.2001) US
- (71) Applicant: **KELSEY, INC.** [US/US]; 5490 South Shore Drive, Chicago, IL 60615 (US).
- (72) Inventor: **DOWLATSHAHI, Kambiz**; 5490 South Shore Drive, Apartment 7 South, Chicago, IL 60615 (US).
- (74) Agent: **MASIA, Adam, H.**; Bell, Boyd & Lloyd, LLC, P.O. Box 1135, Chicago, IL 60690-1135 (US).

- (81) Designated States (*national*): AE, AG, AL, AM, AT, AU, AZ, BA, BB, BG, BR, BY, BZ, CA, CH, CN, CO, CR, CU, CZ, DE, DK, DM, DZ, EC, EE, ES, FI, GB, GD, GE, GH, GM, HR, HU, ID, IL, IN, IS, JP, KE, KG, KP, KR, KZ, LC, LK, LR, LS, LT, LU, LV, MA, MD, MG, MK, MN, MW, MX, MZ, NO, NZ, OM, PH, PL, PT, RO, RU, SD, SE, SG, SI, SK, SL, TJ, TM, TN, TR, TT, TZ, UA, UG, UZ, VN, YU, ZA, ZM, ZW.
- (84) Designated States (*regional*): ARIPO patent (GH, GM, KE, LS, MW, MZ, SD, SL, SZ, TZ, UG, ZM, ZW), Eurasian patent (AM, AZ, BY, KG, KZ, MD, RU, TJ, TM), European patent (AT, BE, CH, CY, DE, DK, ES, FI, FR, GB, GR, IE, IT, LU, MC, NL, PT, SE, TR), OAPI patent (BF, BJ, CF, CG, CI, CM, GA, GN, GQ, GW, ML, MR, NE, SN, TD, TG).

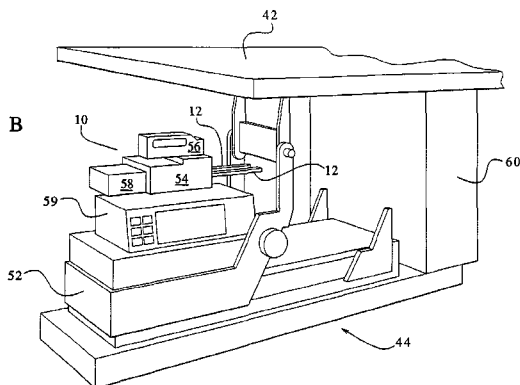
Published:
— with international search report

[Continued on next page]

(54) Title: APPARATUS AND METHOD FOR DELIVERING ABLATIVE LASER ENERGY AND DETERMINING THE VOLUME OF TUMOR MASS DESTROYED



(57) Abstract: An apparatus and method for determining a volume of tumor mass (40) destroyed which include a temperature probe (16) and a laser probe (14) having a temperature sensor (15). The laser probe (14) and temperature probe (16) are inserted to measure a temperature of the tumor mass (40) and a temperature of tissue mass (38) surrounding the tumor mass (40). By determining the volume of tumor mass (40) destroyed, a graphical representation monitoring of the destruction of the tumor mass is achieved.



WO 02/082993 A1



— *before the expiration of the time limit for amending the claims and to be republished in the event of receipt of amendments* *For two-letter codes and other abbreviations, refer to the "Guidance Notes on Codes and Abbreviations" appearing at the beginning of each regular issue of the PCT Gazette.*

SPECIFICATION**“APPARATUS AND METHOD FOR DELIVERING ABLATIVE LASER ENERGY AND DETERMINING THE VOLUME OF TUMOR MASS DESTROYED”**

5

Percutaneous in situ or on-site treatment of malignant breast tumors by laser therapy is being developed in part due to the fact that breast cancer is being detected at earlier stages because of the increasing number of women receiving mammograms annually. If breast cancer and other cancers or tumors are detected in early development, the tumor can be effectively treated using an ablative agent such as laser energy.

Image-guided laser treatments of malignant tumors such as, breast, liver, head and neck tumors, have been in development for more than a decade. For example, U.S. Patent No. 5,169,396 (“the ‘396 Patent”) issued to Dowlatshahi is directed to the interstitial application of laser radiation therapy to tumor masses and is incorporated herein by reference. In general, the apparatus of the ‘396 Patent includes a probe having a thin metallic cannula for insertion into a tumor mass, a laser for generating light having a chosen wavelength and intensity, and an optical fiber for receiving and transmitting the laser light to the tumor mass, whereby the optical fiber is inserted into the cannula such that a chosen physiologically acceptable fluid can flow coaxially between the cannula and the optical fiber. In addition, a heat sensing member is inserted adjacent into the tumor mass for monitoring the tumor temperature. The devitalized tumor is gradually cleared by the body immune system and within six months is replaced with a scar.

However, the treatment of tumors and in particular the specific treatment of breast tumors is generally known to be more difficult due to the fact that it is difficult to determine the three dimensional boundaries of the tumor, and thus, difficult to determine when all of the tumor has been destroyed.

To address this problem, medical researchers have utilized a variety of tumor mass identification techniques for determining the size and outer boundaries of a tumor mass. Examples of conventional identification techniques that have been employed in combination with laser therapy are magnetic resonance imaging,

radiographic and sonographic techniques. When utilizing an identification technique, coordinates identifying the actual size of the tumor mass are determined by using stereotactic techniques or the like.

To solve this problem, at the time of laser treatment, markers may be placed in
5 a 0.5-1.0 cm zone of "normal" tissue to demarcate the zone in which the tumor
extension may exist. This ring of "normal" tissue is equivalent to a cuff of tissue
engulfing the tumor removed during conventional surgery (i.e., a lumpectomy). The
boundaries of the ring surrounding the tumor are marked at 3, 6, 9 and 12 o'clock
10 locations by inserting metal markers through a needle. The insertion points are
precisely determined by known stereotactic technique using a commercially available
stereotactic table.

Such marker elements are the subject of U.S. Patent No. 5,853,366 ("the '366
Patent") issued to Dowlatshahi is directed to a marker element for interstitial
treatment. In general, the '366 Patent discloses a marker element that can be
15 positioned wholly within the body of a patient by utilizing a guide member having a
guide path so as to mark a tumor mass of interest. The marker element is made of a
radiopaque material which includes any material that is capable of being detected by
conventional radiographic, sonographic or magnetic techniques.

Medical researchers have also employed non-surgical techniques other than
20 laser therapy to treat breast tumors. For example, radio frequency, microwave, and
cryogenic-related treatments have been attempted.

The present invention recognizes the above described problem, that is, to
provide a non-cutting treatment for cancer and in particular for breast cancer that can
be relied upon to determine when the entire tumor is effectively destroyed. There is
25 accordingly a need for a non-cutting breast cancer therapy which addresses this
problem and the problems arising from the difficulty in determining whether the tumor
is completely destroyed.

SUMMARY OF THE INVENTION

The present invention solves the above problems by providing an apparatus and
30 method for determining a volume of tumor mass (such as breast cancer) destruction in
tissue mass (such as breast tissue) within the body of a patient such that a graphical
representation of the destroyed mass can be preferably superimposed onto an image of

the actual tumor mass whereby the destruction of tumor mass can be visually monitored in real-time. The preferred embodiment of this invention is described in conjunction with breast tissue and breast cancer or tumors, although it should be appreciated that the present invention may be adapted to be implemented for other
5 tumor or cancer treatment. The preferred embodiment of the present invention is also implemented with a patient positioned on a commercially available stereotactic table. The invention may alternatively be implemented using ultrasound and magnetic resonance imaging (MRI) techniques, provided that the tissue mass such as the breast is immobilized and the target is fixed.

10 The apparatus of one embodiment of the present invention preferably includes a laser gun. The laser gun is adapted to receive a laser probe having a temperature sensor thereon and a temperature probe having a series of temperature detectors thereon. The laser gun inserts the laser probe into the tumor mass to facilitate providing an effective amount of laser radiation and measuring the tumor temperature
15 at the application point of the laser. The gun also subsequently inserts the temperature probe into the body preferably in close proximity of the tumor mass. The temperature probe measures the body or tissue temperature at various locations in proximity of the tumor mass during interstitial laser therapy. The laser probe and temperature probe preferably include position marks to enable the operator to precisely position and
20 determine the position of the probes relative to each other.

The apparatus preferably includes a computer control system that is electrically connected to the laser gun and its components, namely, the laser probe and sensor and the temperature probe and detectors. The computer control system determines the volume of tumor mass destroyed by utilizing operational data, such as, the distance
25 between the temperature sensors, temperature data, that the control system receives from the laser probe and temperature probe. The computer control system calculates the volume of tumor mass destroyed at any given time during the interstitial laser therapy based upon the tumor mass temperature and the body or tissue mass temperature surrounding the tumor mass.

30 As the computer control system calculates the volume of tumor mass destroyed, the computer control system displays sequential graphical representations of the amount of destroyed tumor mass which is superimposed onto an image of the

actual tumor mass in real-time. This graphic display thereby enables doctors to visually monitor the amount of tumor mass destroyed in real-time during the interstitial laser therapy such that the user can determine when the tumor mass destruction is effectively complete.

5 It is therefore an advantage of the present invention to provide an apparatus and method for calculating the volume of tumor mass destruction such that a graphic representation of the destroyed tumor mass can be displayed.

It is another advantage of the present invention to provide real-time visual monitoring of the destruction of tumor mass during laser therapy.

10 It is a further advantage of the present invention to provide an apparatus and method for determining when the destruction of tumor mass is effectively complete.

It is still further an advantage of the present invention to provide an apparatus and method for determining when the destruction of a breast tumor mass is effectively complete during interstitial laser therapy.

15 Other objects, features and advantages of the present invention will be apparent from the following detailed disclosure, taken in conjunction with the accompanying sheets of drawings, wherein like reference numerals refer to like parts, components, processes and steps.

Additional features and advantages of the present invention are described in,
20 and will be apparent from, the following Detailed Description of the Invention and the figures.

BRIEF DESCRIPTION OF THE FIGURES

Fig. 1A is a perspective view of the apparatus of the present invention for determining the volume of tumor mass destroyed.

25 Fig. 1B is a perspective view of the apparatus of the present invention which illustrates the laser gun.

Fig. 2A is a schematic diagram of the laser probe and temperature probe prior to insertion into the tissue mass or body containing the tumor mass.

30 Fig. 2B is a schematic diagram of the laser probe and temperature probe inserted into the tissue mass containing the tumor mass.

Fig. 3 is a schematic diagram of the laser probe and temperature probe illustrating the relationship of the volume of tumor mass destroyed with respect to the

temperature sensor of the laser probe and the temperature detectors of the temperature probe.

Figs. 4A to 4C illustrate the graphically superimposed tumor mass destruction zone at a beginning, subsequent and final stages of laser therapy for visual real-time monitoring of the destruction of the tumor mass.

Figs. 4D to 4H illustrate alternative graphical representations of the tumor mass destruction zone at beginning, subsequent and final stages of laser therapy for visual real-time monitoring of the destruction of the tumor mass.

Figs. 4I and 4J illustrate a further alternative graphical bar representation of the temperature at T_c , T_1 , T_2 , T_3 , T_4 and T_5 at different stages of the destruction of the tumor mass.

Figs. 5A, 5B and 5C illustrate blood flow within the tumor mass and tissue mass surrounding the tumor mass before and after treatment as measured by color doppler ultrasound. Fig. 5A illustrates blood flow prior to treatment without the aid of a contrasting agent. Fig. 5B illustrates blood flow prior to treatment with the aid of a contrasting agent. Fig. 5C illustrates the loss of blood flow after treatment.

Fig. 6 is a photograph that illustrates an actual tumor mass destroyed from laser therapy of the present invention.

DETAILED DESCRIPTION OF THE INVENTION

Referring now to the drawings, and particularly to Figs. 1A, 1B, 2A and 2B, the apparatus and method for determining the volume of tumor mass destroyed is generally illustrated. The present invention provides a graphical display or representation of the volume of destroyed tumor mass by determining the volume of destroyed tumor mass based on the relative temperatures of the tumor mass and temperatures of tissue mass surrounding the tumor mass as described in detail below. This display preferably provides doctors or other operators with real-time visual monitoring of the destruction of tumor mass so as to determine when the destruction of the entire tumor mass is effectively complete.

The present invention monitors the temperature within and in close proximity to the tumor mass by utilizing a temperature sensor of the laser probe and a separate temperature probe having a number of temperature sensors or detectors. The temperature sensor and temperature probe provide temperature data for determining

the volume of destroyed tumor mass, and thus, for providing the real-time graphical display of the destroyed tumor mass.

To calculate the destroyed tumor mass volume, the temperature probe must be positioned correctly relative to the temperature sensor and the relative distances therebetween must be accurately determined. The present invention utilizes a number of position marks located on the temperature probe and laser probe for positioning and for determining the relative positioning between the temperature detector and the laser probe as discussed below.

In an embodiment, the present invention preferably includes a laser gun 10 including a probe holder 12 employed during interstitial laser therapy. The probe holder 12 is adapted to receive a laser probe 14 and a temperature probe 16. The laser probe 14 and temperature probe 16 are removably inserted in and extend from the probe holder. The laser probe 14 and the temperature probe 16 are held in fixed position relative to each other by the gun. The positioning of the laser probe 14 and temperature probe 16 may be manual or computer controlled in accordance with the present invention.

The laser probe 14 includes a temperature sensor 15 and is adapted to receive an optical fiber 18 connected to a laser source 20 which is connected to a computer control system 22. The control system 22 is preferably connected to the temperature probe 16 and a temperature sensor 15 of the laser probe 14 via a temperature control device 24 so as to facilitate electrical connection with the computer control system 22. However, the laser probe 14 and temperature probe 16 can have separate control systems each connected to a central computer control system (not shown).

More specifically, the laser probe 14 includes a thin metallic cannula for insertion into the tumor mass and an optical fiber for receiving and transmitting the laser light or radiation to the tumor mass, whereby the optical fiber is inserted into the cannula such that a chosen physiologically acceptable fluid or anesthetic agent can flow between the cannula and the optical fiber as described in the '396 Patent which is herein incorporated by reference as discussed above. In a preferred embodiment, the thin metallic cannula was approximately 18 centimeters in length and made from stainless steel ranging from 16 gauge to 18 gauge, but preferably 16 gauge. In addition, the optical or laser fiber is a quartz fiber ranging from 400 nanometers (nm)

to 600 nm in diameter with a spherical tip. The optical fiber is commercially available, for example, from SURGIMED in Woodland, Texas.

Any suitable fluid pump 26 can be utilized to deliver the fluid such that the central temperature of the tumor does not exceed 100°C or fall below 60°C during
5 laser therapy. In an embodiment, the fluid can be delivered at a rate ranging from 0.5 milliliters/minute (ml/min) to 2.0 ml/min.

The laser source 20 generates and supplies an effective amount of laser radiation to the laser probe 14. The laser source 20 is preferably a diode laser. In particular, the laser source 20 is a semiconductor 805-nanometer diode laser that is
10 commercially available, for example, from Diomed in Cambridge, England. However, the present invention is not limited to the use of a diode laser and can utilize a variety of different and suitable laser sources.

The laser probe 14 also includes a temperature sensor 15 as previously discussed. The temperature sensor 15 is employed to effectively measure a
15 temperature of the center of the tumor mass as the tumor mass is destroyed. The temperature sensor 15 is preferably attached directly by soldering or other like attachment mechanism to the laser probe 14 so as to measure the tumor mass temperature at a distal end 28 of the laser probe 14, preferably located at a center region of the tumor mass.

20 The distal end 30 of the temperature probe 16 is inserted into the body within the tissue mass of the body region that is in proximity of (i.e., preferably 1.0 cm away) and surrounds the tumor mass. The temperature probe 16 includes a series of temperature detectors 32 or sensors that are positioned at various distances or intervals (i.e., preferably 0.5 cm) along the temperature probe. In a preferred embodiment, the
25 temperature probe 16 is made from stainless steel ranging from 16 gauge to 20 gauge, preferably 16 gauge. As further illustrated in Fig. 3, the temperature detectors 32 of the temperature probe 16 are positioned at T1, T2, T3, T4 and T5. Based on this configuration, tissue mass temperature measurements are taken at various distances away from the tumor mass surface. This temperature data is utilized in conjunction
30 with the relative distances of the temperature sensors to calculate the volume of tumor mass destroyed, and therefore is utilized to determine when the entire tumor mass is effectively destroyed as discussed below.

As previously discussed, the relative positioning of the temperature probe 16 to the laser probe 14 must be determined in order to accurately calculate the volume of tumor mass destroyed. As shown in Fig. 1A, the temperature probe 16 and laser probe 14 include a number of position marks 34 in order to determine the relative positions of the temperature probe 16 and laser probe 14. The position marks 34 are preferably evenly spaced apart along a portion of a length of the temperature probe 16 and along a portion of the length of the laser probe 14 at a preferable distance of 0.5 cm. However, the present invention is not limited to this distance and can include position marks spaced apart at a variety of different positions. The operator can use these position marks to correctly position the laser probe and the temperature probe relative to the laser probe.

The present invention preferably includes the computer control system 22 adapted to electronically connect to the laser gun 10 and its components, namely, the temperature probe and the laser probe 14 having the temperature sensor 15. The computer control system 22 receives data from the laser probe 14 and the temperature probe 16 as the tumor mass is heated and destroyed. The data is utilized to calculate the volume of tumor mass destroyed at any given point in time. This calculation is based upon the temperature data from the temperature probe 16 and temperature sensor 15. The computer control system 22 utilizes the destroyed tumor volume calculations for graphically depicting the volume of tumor mass destroyed (i.e., tumor mass destruction zone) on a display 36 connected to the computer control system 22.

In one embodiment, the laser gun 10 injects the laser probe 14 and temperature probe 16 into breast tissue 38 in order to destroy a tumor mass 40 located within the breast tissue 38 of a patient 41 lying on an examination table 42. The laser gun 10 is positioned on a stereotactic platform or table 44 which is utilized in a conventional manner to identify the actual location of the tumor mass 40 in the breast tissue 38 prior to insertion of the temperature probe 16 and laser probe 14 into the breast tissue 38. In a preferred embodiment, the stereotactic platform or table 44 is commercially available from LORAD/Trex Medical Stereoguide DSM of Danbury, Connecticut. However, this identification can be performed using conventional radiographic, sonographic, thermographic, magnetic imaging or other like identification techniques.

After the tumor mass 40 location is identified, a number of marker elements 46 are preferably inserted into the breast tissue 38 in close proximity of the breast tumor 40. The marker elements 46 are utilized for marking the tumor mass 40 to be treated and to allow subsequent identification and observation of the treated area as further described in the '366 Patent herein incorporated by reference as previously discussed.

By knowing the actual location of the tumor mass, the laser gun 10 can be configured to inject the laser probe 14 and temperature probe 16 into the breast tissue 38 at an optimal location relative to the tumor mass 40 in the breast tissue 38. The present invention utilizes a probe guide 48 to facilitate the insertion of the temperature probe 16 and laser probe 14 into the breast tissue 38. The positioning of the laser probe 14, temperature probe 16 and marker elements 46 relative to the positioning of the tumor mass 40 and tissue mass surrounding the tumor mass can be visually monitored on the display 36.

As previously discussed, the present invention utilizes a laser gun 10 to inject the laser probe 14 and temperature probe 16 into the tumor mass and tissue mass surrounding the tumor mass. The laser gun 10 can be made of any suitable material and be constructed in a variety of different configurations. One example of such configuration is illustrated in Fig. 1B.

The laser gun 10 is positioned on a guide mechanism 52 of the stereotactic table 44 which enables the laser gun 10 to be positioned prior to insertion of the laser probe and temperature probe. The laser gun 10 includes a housing 54 for the laser probe and temperature probe and probe holders 12 which can extend from the housing for each of the laser probe and temperature probe. The laser gun 10 further includes an alignment member 56 attached to the housing for aligning the laser gun prior to insertion. The laser gun 10 can also include an inserter member 58 attached to the housing for automatically inserting the laser probe and temperature probe. The laser gun 10 is connected to a control system 59 which includes a computer processing unit 60. The control system 58 operates to control and monitor the temperature probe and laser probe during laser therapy, such as controlling the laser source and fluid pump and monitoring the temperature.

The laser probe 14 is first optimally inserted into the center of the tumor mass as shown in Fig. 2B. Once the laser probe 14 is optimally inserted into the tumor mass

40, the temperature probe 16 is optimally inserted and positioned parallel to the laser probe 14 (i.e., preferably approximately 1 cm away from the laser probe) as further illustrated in Figs. 2A and 2B. The optimal locations of the temperature probe 16 and laser probe 14 are necessary to monitor a concentric zone of heat emitted from the tip of the laser probe during treatment. As discussed below, the ability to monitor the concentric heat patterns of the laser probe is necessary to effectively measure the volume of tumor mass destroyed during treatment.

Because of the importance placed on the exact and precise positioning of the laser probe 14 and temperature probe 16 relative to the tumor mass 40, the present invention preferably utilizes the stereotactic technique in combination with the marker elements to monitor this positioning. The present invention further utilizes a plurality of position marks 34 located on each of the temperature probe 16 and laser probe 14 for monitoring the axial positioning of the laser probe 14 relative to the temperature probe 16. As previously discussed, the position marks 34 are spaced apart at known distances, preferably 0.5 cm, along each of the temperature probe 16 and laser probe 14. Therefore, the position marks 34 are utilized to visually monitor the relative positioning of the laser probe 14 and temperature probe 16 such that manual adjustments in addition to computer automated adjustments can be made to the relative positioning of the laser probe 14 and temperature probe 16.

As shown in Fig. 3, the temperature probe 16 preferably includes a temperature detector T3 that contacts an outer surface of the tumor mass 40 to measure a temperature at this location. The remaining temperature detectors, namely, T1, T2, T4 and T5 are positioned at the distances (described above) from T3 along the temperature probe. Each temperature detector is also located at various radial distances from the temperature sensor Tc (i.e., the temperature at the center of the tumor mass) of the laser probe 14, namely, r1, r2, r3, r4 and r5. The radial distance between Tc and T3 (i.e., r3) is known, that is, the axial distance between Tc and T3, preferably 1.0 cm. By knowing the distances between T3 and the other temperature detectors (i.e., T1, T2, T4 and T5) and the radial distance between T3 and Tc, the radial distance from Tc to each of T1, T2, T4 and T5 can be determined by applying the Pythagorean theorem, that is, for a right angled triangle having a hypotenuse length

H and side lengths A and B defining the right angle, the relationship $H^2 = A^2 + B^2$ exists.

For example, $(r_1)^2 = (T_1 - T_3)^2 + (r_3)^2 = (1.0 \text{ cm})^2 + (1.0 \text{ cm})^2 = 2.0 \text{ cm}^2$ where $T_1 - T_3 = 1.0 \text{ cm}$ and $r_3 = 1.0 \text{ cm}$. Therefore, $r_1 = r_5 = (2.0 \text{ cm}^2)^{1/2} = 1.4 \text{ cm}$.

5 Based on similar calculations, $r_4 = r_2 = 1.10 \text{ cm}$ where $T_1 - T_2 = 0.5 \text{ cm}$ and $r_3 = 1.0 \text{ cm}$. Therefore, the tissue temperature surrounding the tumor relative to the temperature at the laser fiber tip, i.e., T_c , can be monitored by the temperature detectors, such as T_1 , T_2 , T_3 , T_4 and T_5 , at various known and corresponding radial distances from the laser fiber tip, such as $r_1 = 1.4 \text{ cm}$, $r_2 = 1.10 \text{ cm}$, $r_3 = 1.0 \text{ cm}$, $r_4 =$
10 1.10 cm and $r_5 = 1.4 \text{ cm}$ as previously discussed.

By determining the radial distances, volume calculations are made at each of the temperature detector locations preferably based upon the known calculation for a volume of a sphere V , that is $V = 4/3\Pi r^3$, where r is the radial distance from the center of the sphere and Π is the universally accepted constant value of $22/7$, that is, the value
15 of the ratio of the circumference of any circle relative to its diameter. When the temperature at any one of the temperature detectors reaches a level at which the tumor mass is destroyed, the volume calculation at each of the temperature detectors effectively corresponds to the volume of tumor mass destroyed within the spherical region having a radial distance associated with the temperature detector(s), namely, r_1 ,
20 r_2 , r_3 , r_4 and r_5 .

For example, when the laser radiation is first applied, the tumor mass 40 is destroyed in a region at and near T_c . As time passes, the volume of tumor mass destroyed increases in correlation to an increase in the temperature as measured by T_3 . Therefore, the volume of tumor mass destroyed is effectively less than the volume
25 corresponding to the spherical region having a radial distance of r_3 .

When T_3 reaches or increases to a temperature, preferably 60°C , which would destroy the tumor mass, that is, the tumor mass destruction temperature, the volume of tumor mass destroyed effectively corresponds to the volume of a spherical region having a radial distance of r_3 . The spherical shape of the destroyed tumor mass has
30 been documented on rodent mammary tumors and thirty-six patients with breast cancer whose laser treated tumors were serially removed and sectioned by pathologists and reported.

To ensure that the entire tumor mass is effectively destroyed, the laser treatment continues until the temperatures as measured by the other or outer temperature detectors, namely, T1, T2, T4 and T5, reach or increase to the tumor mass destruction temperature, preferably 60°C. When this occurs, the tumor mass is effectively destroyed within the volume of the spherical region having a radial distance associated with the outer temperature detectors, namely, r1, r2, r4 and r5. The laser treatment ends when a temperature as measured by the outermost temperature detector(s), such as T1 and T5, increases to the tumor mass destruction temperature, preferably 60°C.

10 It should be appreciated that the amount of laser energy which is necessary to destroy the tumor mass and the tissue mass surrounding the tumor mass can also be determined. Based on previous studies conducted by the inventor, the destruction of approximately 1 cm³ of tumor mass and/or tissue mass surrounding the tumor mass requires approximately 2500 Joules (J) of laser energy. (See, for example, 15 Dowlatshahi et al., Stereotactically Guided Laser Therapy of Occult Breast Tumors, ARCH. SURG., Vol. 135, pp. 1345-1352, Nov. 2000). By calculating the amount of tumor mass destroyed and assuming that the amount of tumor mass destruction requires approximately 2500J/cm³ of laser energy, the amount of laser energy (J) which is necessary to destroy the volume of tumor mass can be calculated.

20 It should be appreciated that the present invention is not limited to the number, type, positions, and locations of the temperature detectors. A variety of locations and number of detectors may be utilized depending, for example, on the tumor treatment conditions, such as, the type and location of the tumor. In a preferred embodiment, the temperature detectors are positioned to effectively monitor the destruction of tumor 25 mass to a radial distance from the actual tumor mass associated with the outer temperature detectors (i.e., T1 and T5).

It should also be appreciated that the present invention is not limited to the tumor mass destruction temperature. A variety of different temperatures may be utilized to correspond to the tumor mass destruction temperature depending on the 30 tumor treatment conditions as described above. In a preferred embodiment, the preferred tumor mass destruction temperature is at least 60°C.

The computer control system utilizes the tumor mass destruction calculation(s) as described above to provide a graphic display 62 or representation of the destroyed tumor mass that is preferably superimposed onto an image of the actual tumor mass taken prior to treatment as illustrated in Fig. 4A. The graphic display 62 of the destroyed tumor mass is preferably displayed as a circular (2-D) or spherical (3-D) symbol. The marker elements are also graphically displayed in addition to the tumor mass.

In Fig. 4B, the display 62 illustrates the laser probe 14 and temperature probe 16 after insertion into the breast tissue. The tip 64 of the laser probe 14 is centrally located within the tumor mass 40, and the temperature probe 16 is positioned relative to the laser probe 14 as previously discussed. As the temperature increases spatially and concentrically away from the tip of the laser probe, the temperature detector at T3 measures a tumor mass destruction temperature (i.e., preferably 60°C). At this temperature, the destroyed tumor mass symbol 66 appears as illustrated in the display of Fig. 4B. As the temperature at T1 and T5 reach the tumor mass destruction temperature, the destroyed tumor mass symbol 67 expands to include the destroyed tumor mass region associated with T1 and T5 as shown in Fig. 4C.

The tumor mass destruction symbol extends outwardly from the actual image of the tumor mass by a distance associated with the location of the outer temperature detectors of the temperature probe (i.e., T1 and T5). At this distance, the tumor mass destruction is effectively complete as further illustrated in Fig. 4C. This distance ranges from about 0.25 cm to about 0.75 cm, preferably ranging from about 0.4 cm to about 0.5 cm. The graphic display of the present invention provides a real-time visual monitoring of the destruction of tumor mass in contrast to known displays that only illustrate the temperature at various locations of the tumor mass by a conventional bar graph.

An alternative embodiment of the graphical representations of the tumor mass destruction zone at the beginning, subsequent and final stages of laser therapy for visual real-time monitoring of the destruction of the tumor mass is illustrated in Figs. 4D, 4E, 4F, 4G and 4H. Fig. 4D illustrates the tumor without any destruction zone. Figs. 4E, 4F, 4G and 4H illustrates the destruction zone increasing in size to expand beyond the tumor zone. It should be appreciated that different cross hatching, shading

and graphical images can be used to graphically illustrate the tumor mass and the destruction zone. It should also be appreciated that different colors can be graphically used to illustrate the tumor mass and the destruction zone.

It should further be appreciated that a further graphical representation of the
5 temperatures could be implemented in conjunction with the above mentioned graphical
images. Figs. 4I and 4J illustrate a bar graph which is preferably also provided to the
operator of the system. The bar graphs show the temperature at Tc, T1, T2, T3, T4
and T5 at different points in time. As illustrated in Fig. 4I, the temperature at Tc is
much greater than the temperature at T3, which is greater than the temperature at T2
10 and T4, which is greater than the temperature at T1 and T5. As the tumor mass
destruction temperature increases at these points and the destruction zone increases,
the bar graph changes to a point in time as illustrated in Fig. 4J. At this point, the
areas at T1 and T5 are above the tumor mass destruction temperature which is
preferably 60°C. Therefore, the operator knows that the mass has been destroyed in
15 addition to the graphical representations described above.

In an alternative embodiment, the present invention utilizes a blood circulation
test in combination with real-time visual monitoring to determine when the destruction
of the entire tumor mass is effectively complete. Any suitable blood circulation test
can be utilized. However, contrast-enhanced color doppler ultrasound is the preferred
20 technique that utilizes a suitable contrasting agent and a suitable transducer ultrasound
for observing blood with color as it circulates in the tumor mass and tissue mass (i.e.,
breast tissue) surrounding the tumor mass. The blood circulation test is conducted
before and after treatment and the results are compared to determine whether the tumor
mass was effectively destroyed.

25 Any suitable transducer and contrasting agent may be utilized. In a preferred
embodiment, the transducer ultrasound is a 7.5 MHz linear array transducer ultrasound
that is commercially available from ATL in Bothel, Washington.

In addition, the contrasting agent is preferably a sonicated albumin-based
agent, that is, an albumin-based material having gas-injected bubbles. It should be
30 appreciated that the reflection of sound waves from the bubbles within the albumin-
based material produces a color response indicative of blood flow or circulation. In

particular, the contrasting agent is OPTISON which is a commercially available product from Mallinkrodt of St. Louis, Missouri.

Before treatment, an effective amount of the contrasting agent is preferably injected into a vein. The contrasting agent is utilized to enhance the image of blood circulation that results from the color doppler ultrasound technique. The effectiveness of the contrasting agent is shown by comparing the color doppler ultrasound blood flow images of Fig. 5A and 5B. The contrasting agent was utilized to produce the blood flow image of Fig. 5B and not Fig. 5A. By comparing these figures, it is evident that the blood flow image of Fig. 5B is more enhanced than the blood flow image of Fig. 5A.

Turning to Fig. 5B, the contrast-enhanced color doppler ultrasound measured a substantial amount of blood flow within the tumor mass and tissue mass surrounding the tumor mass. After treatment, the contrasting agent is again injected to observe blood flow in and around the tumor mass. As further predicted, there was effectively no blood flow within the tumor mass and surrounding area as measured by the above-described ultrasound technique as shown in Fig. 5C. This indicates that the tumor mass and tissue mass surrounding the tumor mass was effectively destroyed. If the tumor mass and the surrounding tissue mass has been destroyed, blood circulation in this treated region effectively cannot be observed by color doppler ultrasound. A comparative analysis between the results of the blood circulation test before and after treatment is utilized to make the determination as to whether the entire tumor mass is destroyed.

This change in blood circulation in and around the tumor mass can also be observed by injecting an effective amount of the contrasting agent into the vein during laser therapy. This provides real-time monitoring of the blood circulation within the tumor mass and tissue mass surrounding the tumor mass during laser treatment. As more and more of the tumor mass and surrounding tissue mass is destroyed, less blood circulates through this region. As the blood circulation decreases, the blood circulation test, such as the color doppler ultrasound, can be utilized to effectively measure a decrease in blood circulation as previously discussed. A graphical representation of the results of the color doppler ultrasound can be continuously monitored during laser therapy. The graphical representation can be displayed on a

separate display or can be superimposed onto the actual image of the tumor mass during laser therapy. The graphical representation provides further real-time monitoring of tumor destruction before the patient is removed from the table. Additional laser treatment can be delivered if a portion of the targeted tissue exhibits
5 blood flow suggesting viability. It should be appreciated that the graphical representation can be configured in any suitable way such that the blood flow circulation can be monitored.

An actual tumor mass that has been destroyed during laser therapy of the present invention is illustrated in Fig. 6. The void region represents the region where
10 the tumor mass and surrounding tissue mass were destroyed by laser therapy. As shown in Fig. 6, the void region is effectively circular in shape and has an approximate diameter of 2.5 to 3.0 cm. Fig. 6 illustrates a cut section of a laser treated breast tumor. The red ring is the inflammatory zone and the tissue within it is destroyed. The diameter of this ring corresponds to the diameter of the avascular zone seen by
15 color Doppler ultrasound in Fig. 5C.

The present invention also provides a method for determining the volume of tumor mass destroyed. The method preferably includes the step of providing a laser gun. The laser gun further includes a laser probe and temperature probe as detailed above. The laser probe and temperature probe are inserted into the body of the patient
20 such that the laser probe is inserted into the tumor mass and the temperature probe is inserted into the tissue mass in proximity to the tumor mass. An effective amount of laser radiation is generated and directed into the tumor mass through the laser probe. The temperature sensor of the laser probe measures the tumor mass temperature within the tumor mass. The temperature probe measures the tissue temperature of tissue mass
25 surrounding the tumor mass at various positions along the temperature probe. The computer control system is preferably electronically connected to the laser gun and its components, namely the laser probe, the temperature sensor of the laser probe, and the temperature probe, and a fluid pump. The computer control system receives temperature and laser data from the temperature and laser probes for determining or
30 calculating a volume of tumor mass destruction as detailed above. The computer (or operator) adjusts the fluid flow delivered by the fluid pump so that the central

temperature of the tumor, i.e., T_c , does not exceed 100°C or fall below 60°C during laser therapy.

The computer control system utilizes this calculation to create a display that graphically superimposes the destroyed tumor mass onto the image of the actual tumor mass. By graphically showing the amount of tumor mass destroyed, the doctor can
5 visually monitor the destruction of tumor mass under real-time so as to determine when the destruction of tumor mass is effectively complete as detailed above.

In an alternative embodiment, the method of the present invention includes the step of identifying the tumor mass prior to insertion of the laser gun into the tumor
10 mass. The identification step is performed using conventional radiographic, sonographic or magnetic imaging techniques. Preferably, coordinates identifying the actual location of the tumor mass are determined using stereotactic techniques or the like as previously discussed.

In another alternative embodiment, the present invention utilizes a blood
15 circulation test, such as color doppler ultrasound, before and after treatment to provide further evidence when the entire tumor mass is effectively destroyed as previously discussed. The blood circulation test can also be utilized during laser therapy to provide further real-time monitoring of the tumor mass destruction as further discussed above.

It should be appreciated that the present invention is not limited to interstitial
20 laser therapy, and particularly, interstitial laser therapy for the destruction of a breast tumor. The present invention may apply to a variety of different non-surgical treatments for the destruction of a variety of different tumor masses.

It should be understood that modifications and variations may be effected
25 without departing from the scope of the novel concepts of the present invention, and it should be understood that this application is to be limited only by the scope of the appended claims.

It should be understood that various changes and modifications to the presently preferred embodiments described herein will be apparent to those skilled in the art.
30 Such changes and modifications can be made without departing from the spirit and scope of the present invention and without diminishing its intended advantages. It is

therefore intended that such changes and modifications be covered by the appended claims.

CLAIMS

The invention is claimed as follows:

1. An apparatus for determining a volume of tumor mass destroyed, the
5 apparatus comprising:
 - a laser probe having a temperature sensor adapted to measure a temperature of said tumor mass;
 - a temperature probe adapted to measure a tissue temperature in proximity to the tumor mass;
 - 10 a computer control system electrically connected to the laser probe and temperature probe and adapted to determine the volume of tumor mass destroyed based upon the tumor mass temperature and the tissue temperature; and
 - a display connected to the computer control system and adapted to display a graphical representation of the volume of tumor mass destroyed.
- 15 2. The apparatus of Claim 1, wherein the graphical representation of the volume of tumor mass destroyed includes a circular symbol.
3. The apparatus of Claim 1, wherein the graphical representation includes
20 a spherical symbol.
4. The apparatus of Claim 1, wherein the graphical representation of the volume of tumor mass destroyed is superimposed onto an actual image of the tumor mass to provide real-time visual monitoring of the destroyed tumor mass.
- 25 5. The apparatus of Claim 4, wherein the real-time visual monitoring of the destroyed tumor mass is adapted to be provided during interstitial laser therapy.
6. The apparatus of Claim 1, wherein the graphical representation further
30 includes a bar graph of the temperature sensor and temperature probe.

7. The apparatus of Claim 1, wherein the apparatus further includes a laser gun adapted to receive the laser probe.
8. The apparatus of Claim 1, wherein the apparatus further includes a laser gun adapted to receive the laser probe and the temperature probe.
9. The apparatus of Claim 1, wherein the laser probe is adapted to receive an optical fiber to direct an effective amount of laser radiation into the tumor mass.
10. The apparatus of Claim 1, wherein the laser probe includes a metallic cannula adapted to receive an optical fiber, whereby an effective amount of laser radiation is directed into the tumor mass and whereby one of a physiological and anesthetic fluid flows into the tumor mass.
11. The apparatus of Claim 1, wherein the temperature sensor is inserted into the tumor mass separate and apart from the laser probe.
12. The apparatus of Claim 1, which includes a fluid pump adapted to deliver an amount of fluid into the tumor mass having a central temperature such that the central temperature ranges from 60°C to 100°C.
13. An apparatus for determining a volume of tumor mass destroyed, the apparatus comprising:
- a laser probe having a temperature sensor adapted to measure a temperature of said tumor mass and having a number of position marks;
 - a temperature probe having a number of position marks and adapted to measure a tissue temperature in proximity to the tumor mass, said position marks of the laser probe and the temperature probe adapted to enable an operator to determine a relative distance between the laser probe and temperature probe;
 - a computer control system electrically connected to the laser probe and temperature probe and adapted to determine the volume of tumor mass destroyed based upon the tumor mass temperature and the tissue temperature; and

a display connected to the computer control system and adapted to display a graphical representation of the volume of tumor mass destroyed.

14. The apparatus of Claim 13, wherein the position marks are spaced apart
5 at equal distances along at least a portion of each of the laser probe and temperature probe.

15. The apparatus of Claim 13, wherein the position marks are spaced apart
at a distance of 0.5 cm along at least a portion of each of the laser probe and
10 temperature probe.

16. The apparatus of Claim 13, wherein the laser probe and temperature probe each include a distal end.

15 17. The apparatus of Claim 16, wherein the distal end of the laser probe is located at a distance of 1.0 cm in an axial direction from the distal end of the temperature probe.

18. The apparatus of Claim 13, wherein temperature probe includes five
20 temperature detectors located at a respective position mark along the temperature probe.

19. The apparatus of Claim 18, wherein one of the temperature detectors is located at a radial distance of 1.0 cm from a distal end of the laser probe.

25 20. The apparatus of Claim 19, wherein the distal end of the laser probe is centrally located in the tumor mass.

21. A method for determining a volume of tumor mass destroyed, said
30 method comprising the steps of:

providing a temperature probe and a laser probe having a temperature sensor;

inserting the laser probe and temperature probe to measure a temperature of the tumor mass and a temperature of tissue mass surrounding the tumor mass;

determining the volume of tumor mass destroyed based upon the tumor mass temperature and the tissue mass temperature; and

5 displaying a graphical representation of the volume of tumor mass destroyed.

22. The method of Claim 21, wherein displaying the graphical representation of the volume of tumor mass destroyed includes displaying a circular symbol.

10

23. The method of Claim 21, wherein displaying the graphical representation of the volume of tumor mass destroyed includes displaying a spherical symbol.

15 24. The method of Claim 22, wherein displaying the graphical representation of the volume of tumor mass destroyed includes superimposing a destruction zone image onto an image of the tumor mass.

20 25. The method of Claim 21, which includes the step of providing real-time visual monitoring of the volume of tumor mass destroyed.

26. The method of Claim 21, which includes displaying a graphical representation of the volume of tumor mass destroyed during interstitial laser therapy.

25 27. The method of Claim 21, which includes employing a blood circulation test to confirm that an entire amount of the tumor mass is effectively destroyed.

28. The method of Claim 27, which includes conducting the blood circulation test before and after the tumor mass is destroyed.

30

29. The method of Claim 21, includes employing a blood circulation test during tumor mass destruction and displaying a graphical representation of the blood

circulation test to provide real-time monitoring of the volume of tumor mass destroyed.

30. The method of Claim 21, which includes the step of measuring a
5 relative distance of the laser probe with respect to the temperature probe.

31. The method of Claim 30, wherein the measuring step includes
measuring by employing a number of position marks located on each of the laser probe
and temperature probe.

10

32. The method of Claim 21, which includes the step of maintaining a
central temperature of the tumor mass ranging from 60°C to 100°C.

33. The method of Claim 21, which includes the step of calculating an
15 amount of laser energy associated with the volume of tumor mass destroyed.

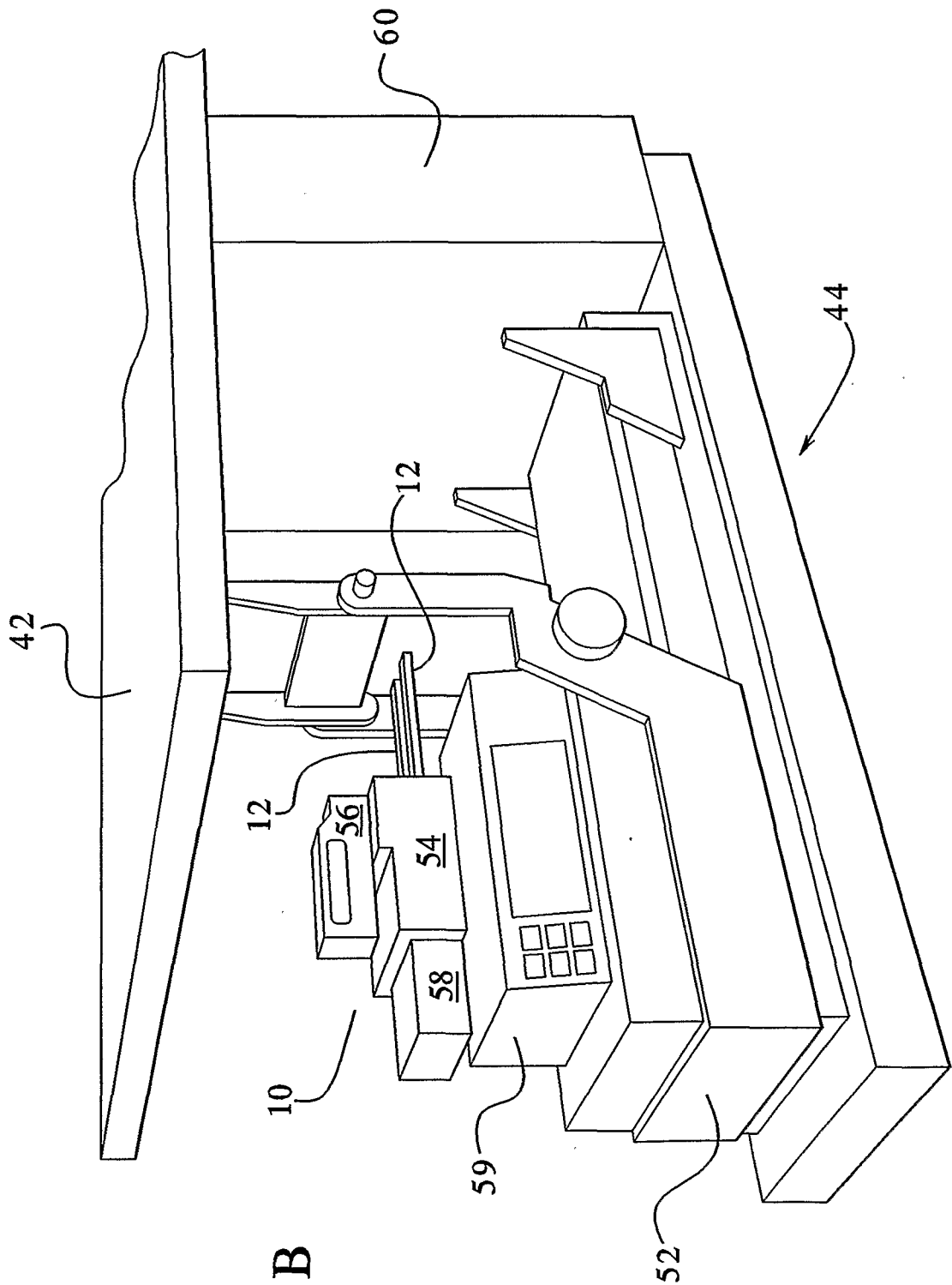


FIG. 1B

FIG. 2A

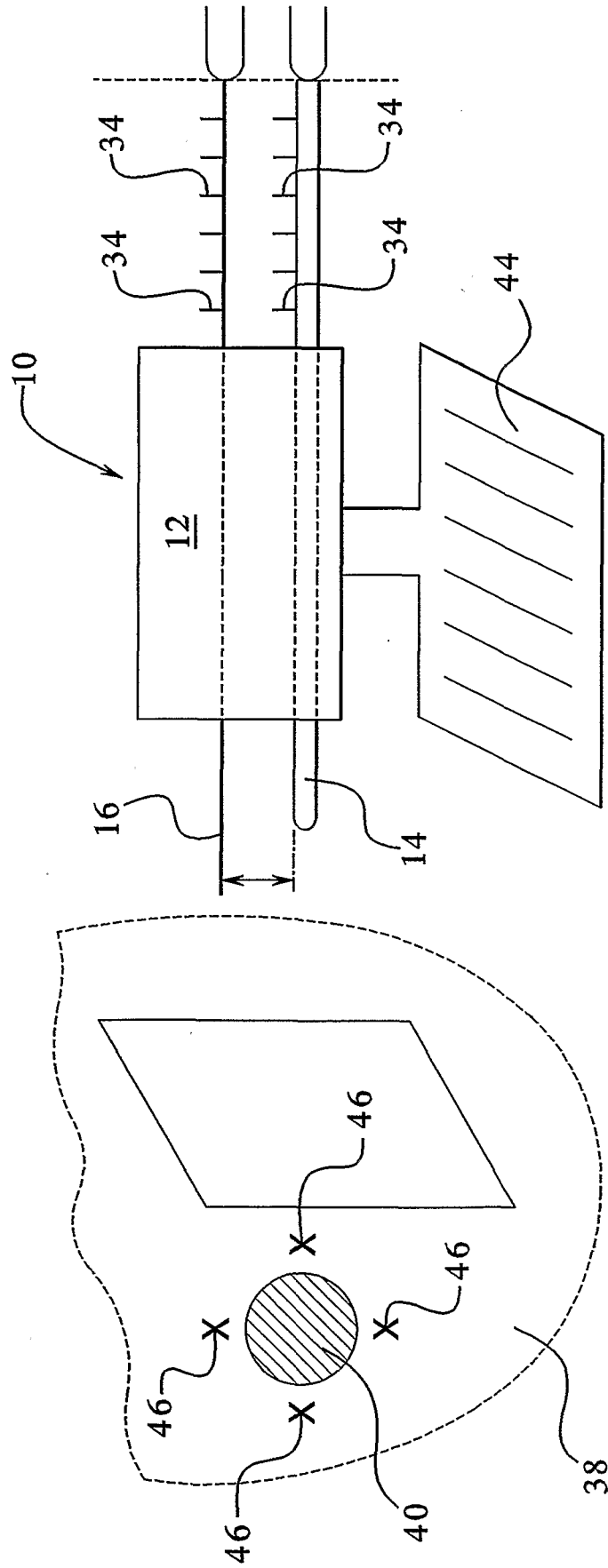


FIG. 2B

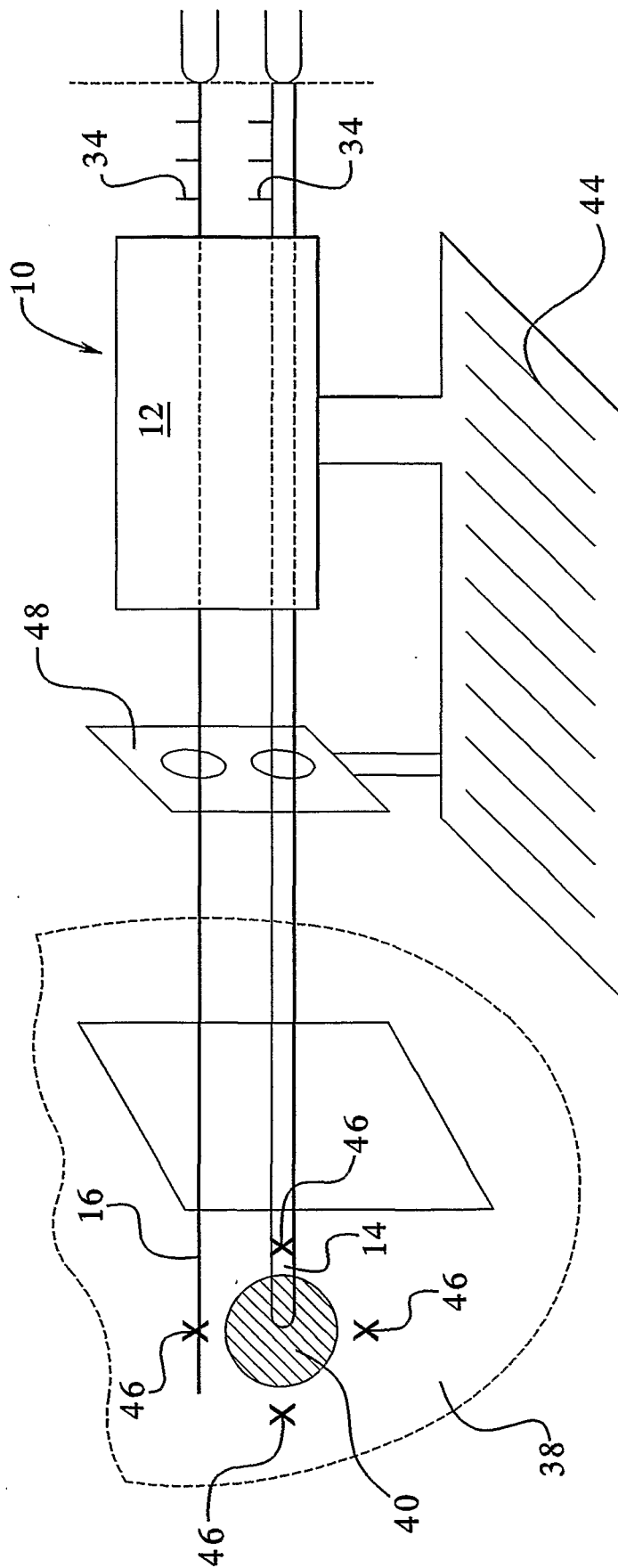


FIG. 3

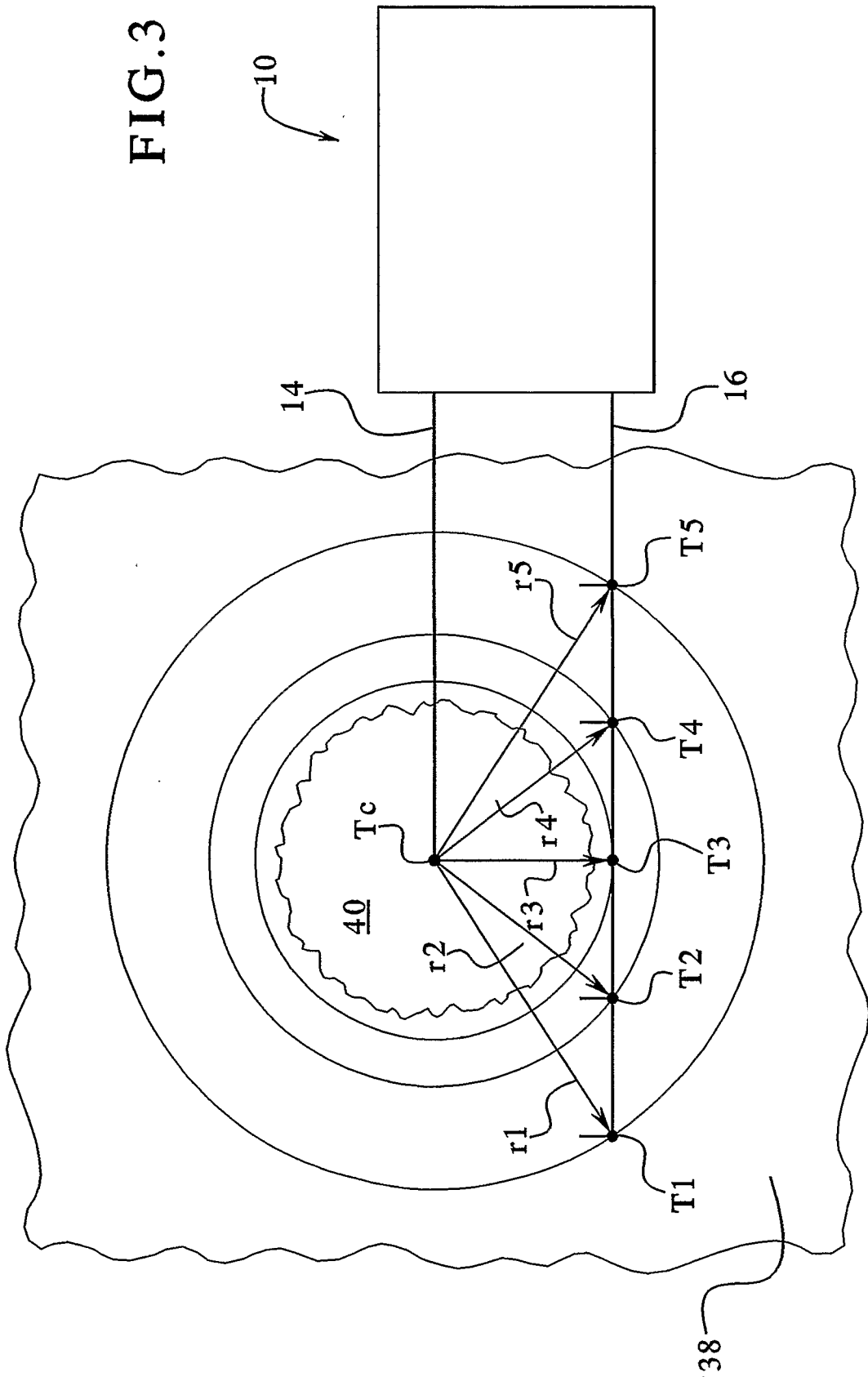


FIG.4A

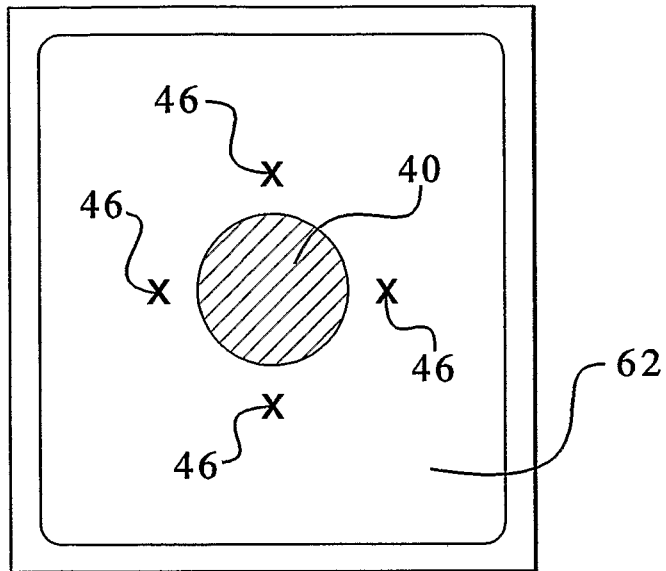


FIG.4B

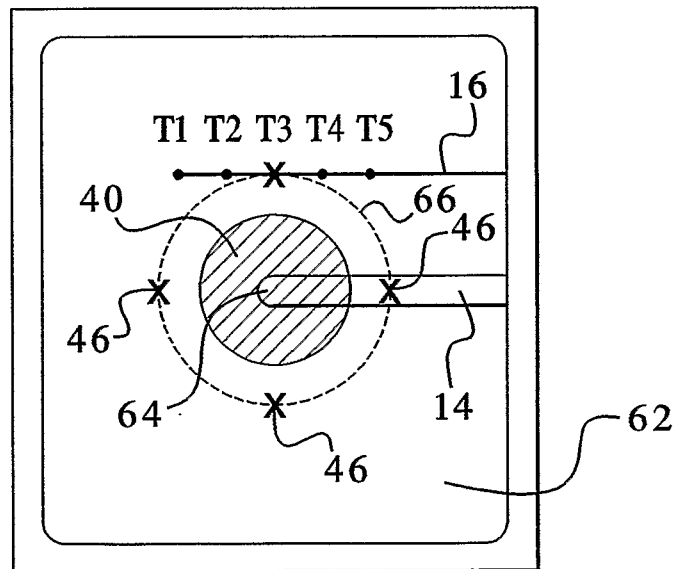


FIG.4C

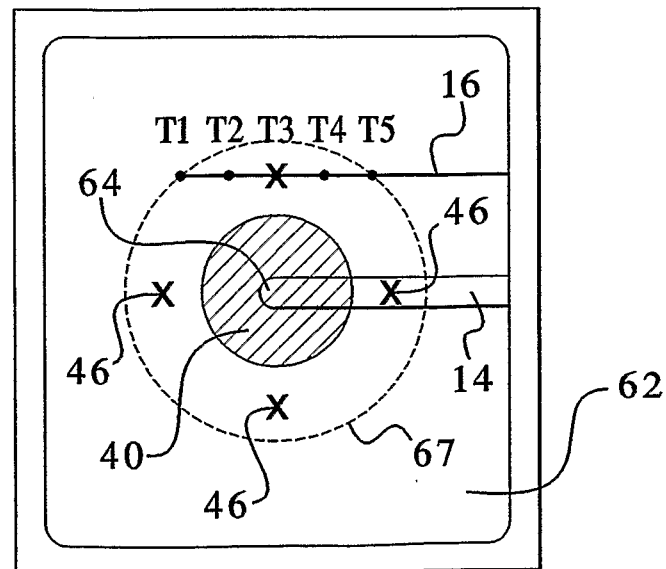


FIG. 4D

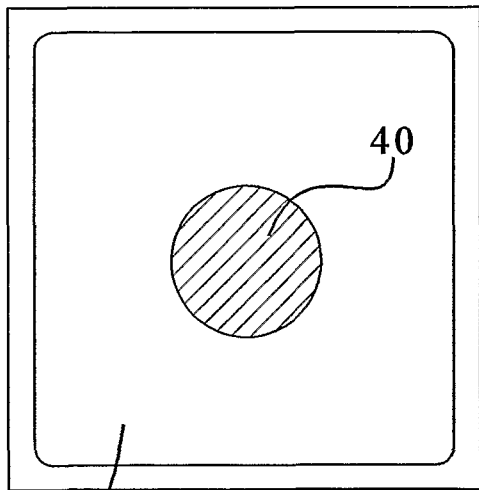


FIG. 4E

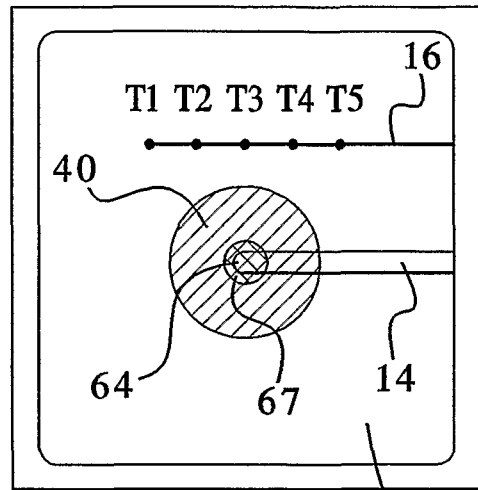


FIG. 4F

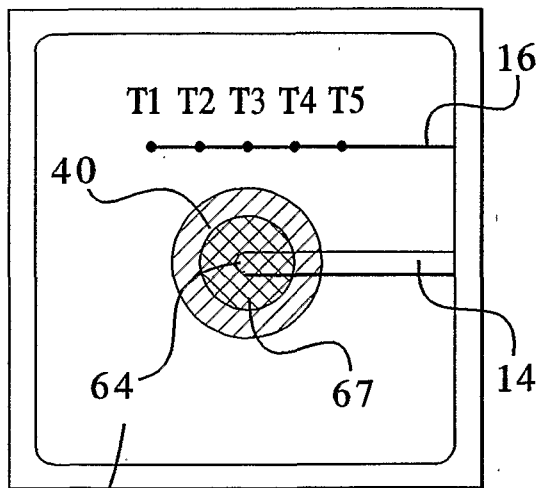


FIG. 4G

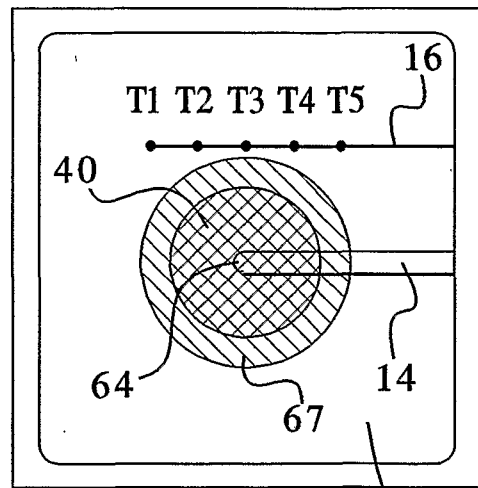


FIG. 4H

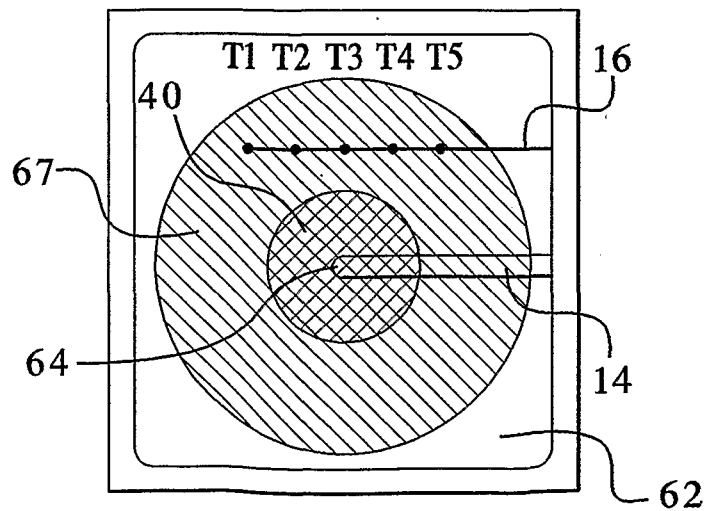


FIG. 4I

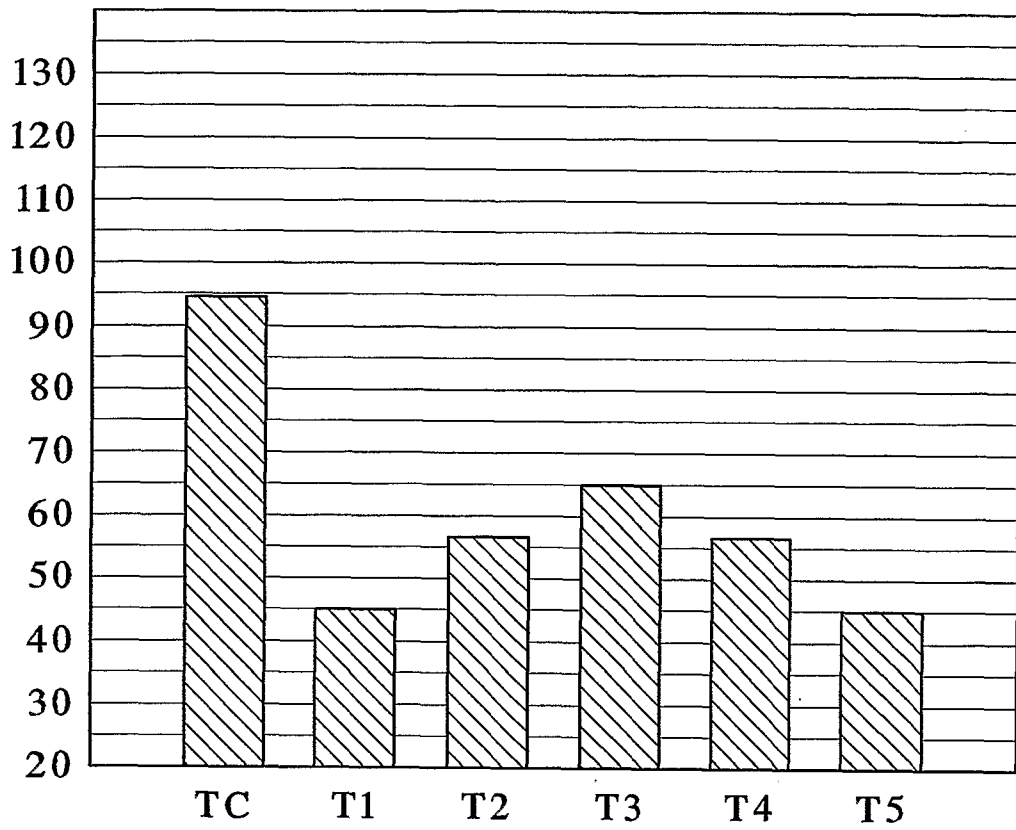


FIG. 4J

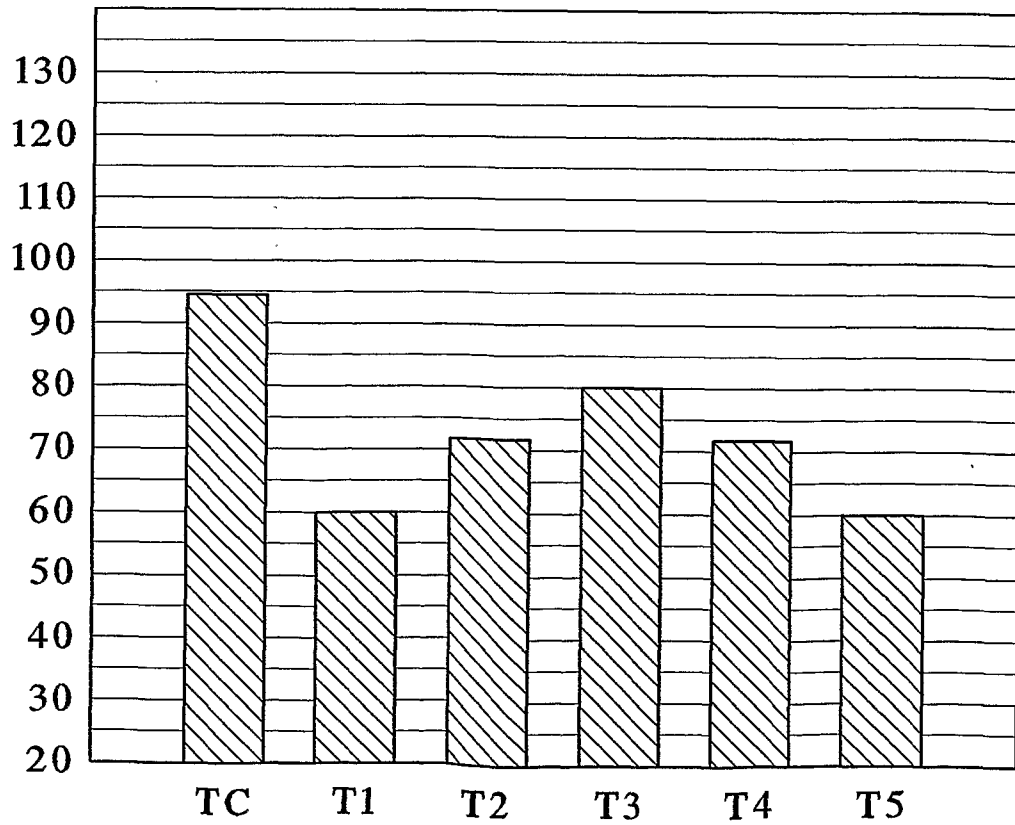


FIG.5A

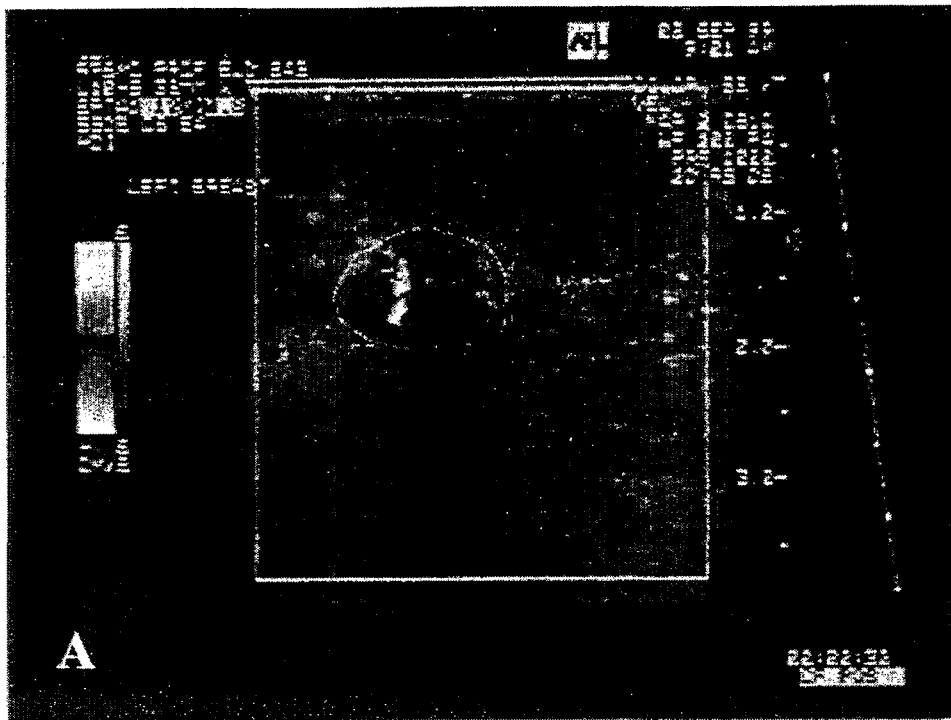


FIG.5B

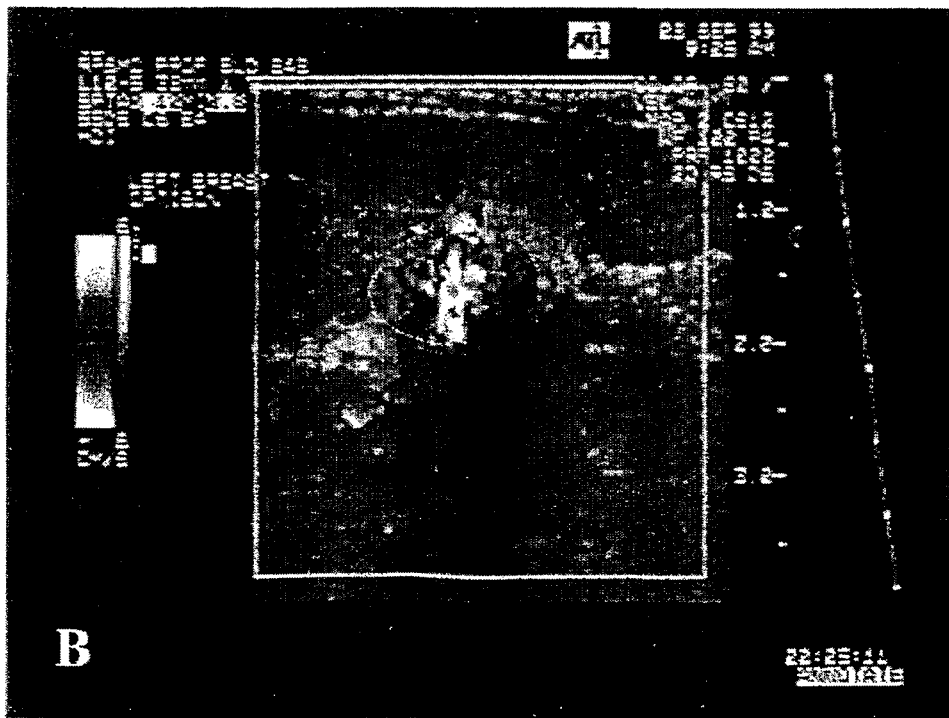


FIG.5C

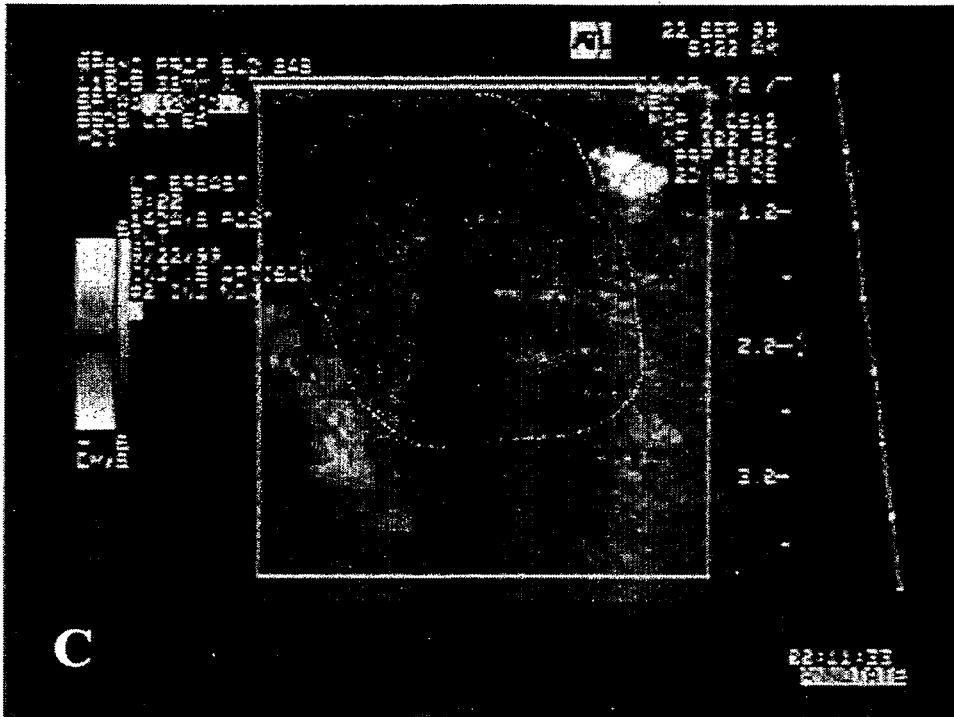
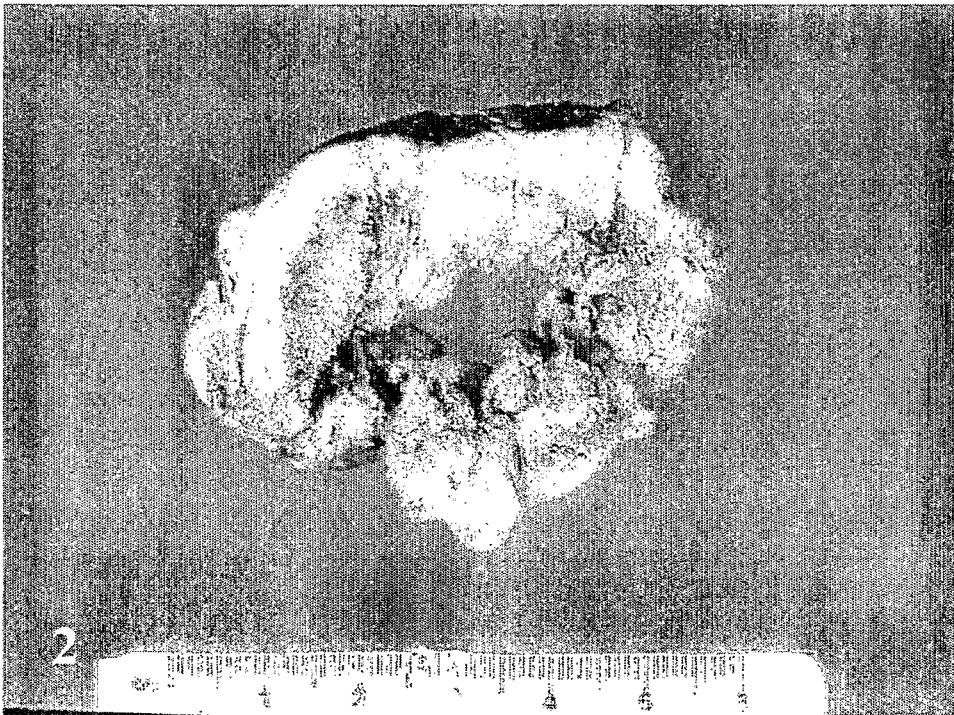


FIG.6



INTERNATIONAL SEARCH REPORT

International application No.

PCT/US02/11452

A. CLASSIFICATION OF SUBJECT MATTER

IPC(7) : A61B 5/05, 6/00
 US CL : 600/407,474,476,478; 606/11; 607/96

According to International Patent Classification (IPC) or to both national classification and IPC

B. FIELDS SEARCHED

Minimum documentation searched (classification system followed by classification symbols)
 U.S. : Please See Continuation Sheet

Documentation searched other than minimum documentation to the extent that such documents are included in the fields searched

Electronic data base consulted during the international search (name of data base and, where practicable, search terms used)
 Please See Continuation Sheet

C. DOCUMENTS CONSIDERED TO BE RELEVANT

Category *	Citation of document, with indication, where appropriate, of the relevant passages	Relevant to claim No.
A	US 5,178,148 A (LACOSTE et al) 12 January 1993 (12.01.1993), see the entire reference.	1-33
A	US 5,569,240 A (DOWLATSHAHI et al) 29 October 1996 (29.10.1996), see the entire reference.	1-33
A	US 5,620,479 A (DIEDERICH) 15 April 1997 (15.04.1997), see the entire reference.	1-33

Further documents are listed in the continuation of Box C.

See patent family annex.

* Special categories of cited documents:	
"A" document defining the general state of the art which is not considered to be of particular relevance	"T" later document published after the international filing date or priority date and not in conflict with the application but cited to understand the principle or theory underlying the invention
"E" earlier application or patent published on or after the international filing date	"X" document of particular relevance; the claimed invention cannot be considered novel or cannot be considered to involve an inventive step when the document is taken alone
"L" document which may throw doubts on priority claim(s) or which is cited to establish the publication date of another citation or other special reason (as specified)	"Y" document of particular relevance; the claimed invention cannot be considered to involve an inventive step when the document is combined with one or more other such documents, such combination being obvious to a person skilled in the art
"O" document referring to an oral disclosure, use, exhibition or other means	"&" document member of the same patent family
"P" document published prior to the international filing date but later than the priority date claimed	

Date of the actual completion of the international search

27 June 2002 (27.06.2002)

Date of mailing of the international search report

05 SEP 2002

Name and mailing address of the ISA/US

Commissioner of Patents and Trademarks
 Box PCT
 Washington, D.C. 20231

Facsimile No. (703)305-3230

Authorized officer

Tu Ba Hoang

Telephone No. (703) 308-3303

INTERNATIONAL SEARCH REPORT

International application No.

PCT/US02/11452

Continuation of B. FIELDS SEARCHED Item 1:

600/1, 407,410, 412, 439, 442, 443, 473, 474, 476, 478, 587, 561; 606/2, 10, 11, 13, 15-17, 20, 27, 32, ; 607/89, 96, 105, 108; 219/121.6; 128/922; 382/131

Continuation of B. FIELDS SEARCHED Item 3:

EAST

search terms: tumor adj temperature, laser and optical, determ\$ adj volume adj tumor, measuring adj tissue adj temperature

专利名称(译)	用于递送烧蚀激光能量和确定被破坏的肿瘤体积的装置和方法		
公开(公告)号	EP1377210A1	公开(公告)日	2004-01-07
申请号	EP2002731333	申请日	2002-04-12
[标]申请(专利权)人(译)	凯尔西有限公司		
申请(专利权)人(译)	凯尔塞 , INC.		
当前申请(专利权)人(译)	NOVIAN健康INC.		
[标]发明人	DOWLATSHAHI KAMBIZ		
发明人	DOWLATSHAHI, KAMBIZ		
IPC分类号	A61B5/01 A61B18/20 A61B5/00 A61B5/05 A61B5/06 A61B6/00 A61B6/04 A61B8/06 A61B17/00 A61B18/00 A61B18/24 A61B19/00 A61N5/06		
CPC分类号	A61B5/06 A61B5/01 A61B5/064 A61B6/0414 A61B6/502 A61B8/06 A61B18/20 A61B2017/00084 A61B2018/00011 A61B2018/2005 A61B2018/206 A61B2090/063 A61N5/0601		
优先权	09/834873 2001-04-13 US		
其他公开文献	EP1377210A4 EP1377210B1		
外部链接	Espacenet		

摘要(译)

一种用于确定破坏的肿瘤体积 (40) 的装置和方法 , 其包括温度探针 (16) 和具有温度传感器 (15) 的激光探针 (14) 。插入激光探针 (14) 和温度探针 (16) 以测量肿瘤块 (40) 的温度和肿瘤块 (40) 周围的组织块 (38) 的温度。通过确定破坏的肿瘤块 (40) 的体积 , 实现了对肿瘤块破坏的图形表示。