



(19)
(12)

(KR)
(A)

(11)
(43)

10-2017-0125485
2017 11 15

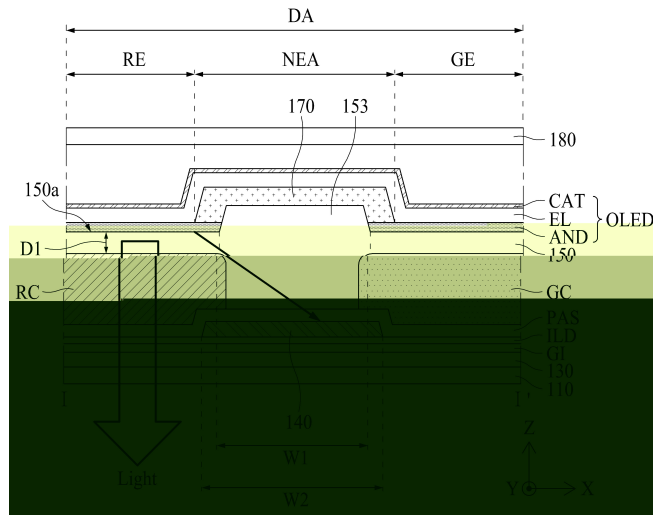
(51)	(Int. Cl.)	(71)	
	<i>H01L 27/32</i> (2006.01) <i>H01L 27/12</i> (2006.01)		
	<i>H01L 51/52</i> (2006.01)		128()
(52)	CPC	(72)	
	<i>H01L 27/3258</i> (2013.01)		
	<i>H01L 27/1288</i> (2013.01)		201
(21)	10-2016-0055162	A	301
(22)	2016 05 04		
			67 (, 5) 501 701
		(74)	

: 10

(54)

(57)

- 3



(52) CPC

H01L 27/322 (2013.01)

H01L 27/3246 (2013.01)

H01L 27/3248 (2013.01)

H01L 27/3262 (2013.01)

H01L 27/3276 (2013.01)

H01L 51/5237 (2013.01)

H01L 2227/323 (2013.01)

H01L 2251/105 (2013.01)

H01L 2251/558 (2013.01)

1

;

;

;

;

;

,

,

2

1

,

3

1

,

4

1

,

5

1

,

6

1

,

;

;

7

;

;

,

8

7

9

7

10

7

[0001]

[0002]

(FPD: Flat Panel Display Device), (LCD: Liquid Crystal Display Device), (PDP: Plasma Display Panel Device), (OLED: Organic Light Emitting Display Device), (EPD: Electrophoretic Display Device)

[0003]

(OLED)

[0004]

(OLED) (top emission type) (bottom emission type)

[0005]

(OC: Over Coating layer) (CF: Color Filter), (OLED: Organic Light Emitting Diode)

[0006]

(TFT: Thin Film Transistor)

[0007]

(EVDD)

[0008]

(RGB)

[0009]

(OLED)

[0010]

[0011]

[0012]

[0013]

[0014]

[0015]

[0016]

1

IC,

2

3 2 I - I ' .

4 2 II - II ' .

5

6a 6d

[0017]

[0018]

1", " 2"

[0019]

[0020]

1

IC,

[0021]

1 X

, Y

, Z

[0022]

1 2

(100),

(200),

(integrated circuit, "IC"

)(310),

(330),

(350),

(400)

[0023]

(100)

(DA)

(NDA)

(100)

(DA)

(P)

(DA)

(P)

(RE, GE, BE)

(RE, GE, BE)

(DA)

(P)

(P)

(RE),

(GE),

(BE)

, (P)

(RE),

(GE),

(BE)

(RE, GE, BE)

(RE, GE, BE)

(NDA)

(DA)

(NDA)

(200)

[0024]

(100)

(110)

(180)

(110)

(plastic film)

(180)

(110)

(180)

(110)

(100)

(180)

(110)

(110)

(180)

[0025]

(100)

3

4

[0026]

(200)

(400)

(200)

(100)

(DA)

GIP(gate driver in panel)

(200)

(100)

(DA)

GIP

TAB(tape automated bonding)

(100)

[0027] IC(310) (400)
IC(310)
COP(chip on plastic) IC(310) , COF(chip on film)
(330)

[0028] (110) (180) (180)
(110) (330)
IC(310) , (350)
(330) (anisotropic conducting film)

[0029] (350) (330) (350)
(350) (400) (350)
(printed circuit board) (flexible printed circuit board)

[0030] (400) ()
(400) (200)
IC(330) (400)
(200) , IC(310)

[0031] 3 2 I - I ' , 4 2 II - II '
3 4 2 (DA) (RE, GE) (NEA)

[0032] 3 4 , (100) (DA) (RE, GE) (NEA)
(RE, GE) (OLED) (RC, GC)
(NEA) (T), (140) (RE, GE) (170)

[0033] (100) (110), (130), (T), (140),
(PAS), (RC, GC), (150), (OLED), (170) (180)

[0034] (110) (plastic film)
(110) TAC(triacetyl cellulose) DAC(diacetyl cellulose)
(Norbornene derivatives) COP(cyclo olefin polymer), COC(cyclo olefin copolymer),
PMMA(poly(methylmethacrylate) , PC(polycarbonate), PE(polyethylene)
PP(polypropylene) (polyolefin), PVA(polyvinyl alcohol), PES(poly ether sulfone),
PEEK(polyetheretherketone), PEI(polyether imide), PEN(polyethylenaphthalate),
PET(polyethyleneterephthalate) (polyester), PI(polyimide), PSF(polysulfone),
(fluoride resin)

[0035] (130) (110) (130) (110)
(100) (130)
(110) (T) (ACT)
(130) SiO2(silicon dioxide), SiNx(silicon nitride), SiON(silicon oxynitride)

[0036] (T) (130) (T) (110)
(NEA) (T) (ACT), (GI), (145),
(ILD), (SE) (DE)

[0037] (ACT) (110) (ACT) (145)
(ACT) (SE) (A1), (DE) (A2),
(A1) (A2) (A3) (A3)

[0038] (A1) (A2)
(GI) (ACT) (GI) (ACT) (145)
(GI) (ACT) (GI)
(silicon dioxide), (silicon nitride)

[0039] (145) (GI) (145) (GI)
(ACT) (A3) (T)
(145) (110) 1 (X)
(145) (Mo), (Al), (Cr), (Au), (Ti), (Ni), (Nd)
(Cu)

[0040] (ILD) (145) (ILD) (145) (SE)
(DE) (ILD) (GI)
(silicon dioxide), (silicon nitride)

[0041] (SE) (DE) (ILD)
(GI) (ILD) (ACT) (A1) 1 (CNT1)
(ACT) (A2) 2 (CNT2) (SE) 1 (CNT1)
(ACT) (A1) (DE) 2 (CNT2)
(ACT) (A2) (T) (SE) (DE)
(110) 1 (X) 2 (Y) (140)
(SE), (DE), (Mo), (Al), (Cr), (Au), (Ti),
(Ni), (Nd) (Cu)

[0042] (T)

[0043] (140) (110) (130), (GI) (ILD)
(140) (110) (NEA) (140)
(170) (140) (T) (SE) (DE)
(140) (EVDD)

[0044] (PAS) (T) (140) (PAS)
(T) (140) (PAS)

[0045] (RE, GE) (PAS) (RE, GE) (T)
(110) (RE, GE) (RE, GE)
(140) (RE, GE) (PAS)
(140)

[0046] (RE, GE) (100) (OLED)
(RE, GE) (RE)
(RC), (GE) (GC)
(100)

[0047] (150) (T), (140) (RC, GC)
(150) (T), (140) ((RC, GC) (110)

(RC, GC) (150) (T), (140)

[0048] (150) (150) (170)
 (153) (153) (110) (NEA) (15)
 3) (T) (T) (153)
 (140) (140) (153) (W1) (140) (W2)
 (140) (W2) (153) (AND) (153) (W1) (140) (W2)
 (100) (153) (AND) (153) (W1) (140) (W2)
 (153) (170) (153)
 (150) (150a) (AND)

[0049] (150) (PAS) (T) (DE) 3
 (CNT3) 3 (CNT3) (DE) (AND)

[0050] (OLED) (150) (ODED) (T)
 (RC, GC) (OLED) (T) (DE)
 (OLED) (AND) (EL), (CAT)

[0051] (AND) (150) (AND) (153)
 (150) (AND) (RC, GC)
 (AND) (153) (150)

[0052] (AND) (PAS) (150) 3 (CNT3)
 (T) (DE) (AND)
 - - (ITO) - - (IZO)

[0053] (170) (AND) (170) (AND)
 (NEA) (170) (AND) (170) (DA)
 (170) (153) (153)

[0054] (170) (170) (carbon black)
 (polyimides resin), (acryl
 resin), (BCB)

[0055] (EL) (AND) (170) (EL) (hole
 transporting layer), (organic light emitting layer), (electron transporting
 layer) (EL) /

[0056] (CAT) (EL) (AND) (CAT)
 (EL) (EL)

[0057] (180) (T) (OLED) (180) (T)
 (OLED) (OLED) (180) (T),
 (OLED) (100)

[0058] (153) (RE, GE) (150) (153)
 (153) (153)
 (AND) (153)
 (AND) (RE) (D1) (AND) (RC) (D
 1) (OLED) (GC) (D
 (140)

[0059] 5 , , 6a 6d
4

[0060] , 6a , (110) (140) , (140)
(NEA) (110) (130),
(G1) (ILD) (ILD) (140)
(140) (RC, GC) (RC, GC) (PAS) (5 S101)

[0061] , 6b , (140) (RC, GC) (150)
(151) (151) (150)
(151) (acryl resin), (epoxy resin),
(phenolic resin), (polyamides resin), (polyimides resin)
(5 S102)

[0062] , 6c , (153) (150)
(110) (153) (NEA) (5 S103) (153)
, 6d , (153) (150)

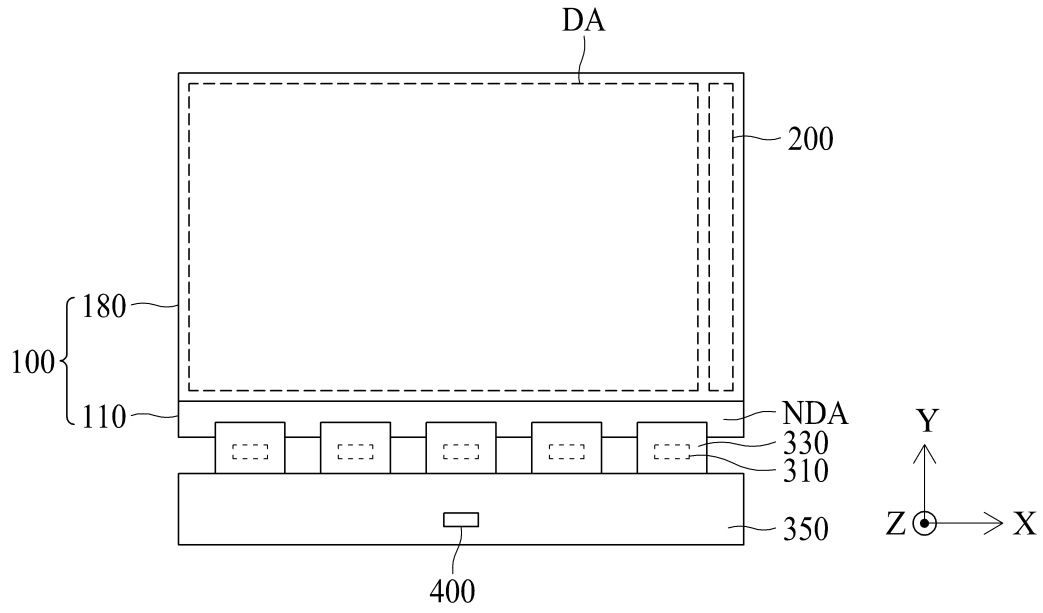
RE, GE :

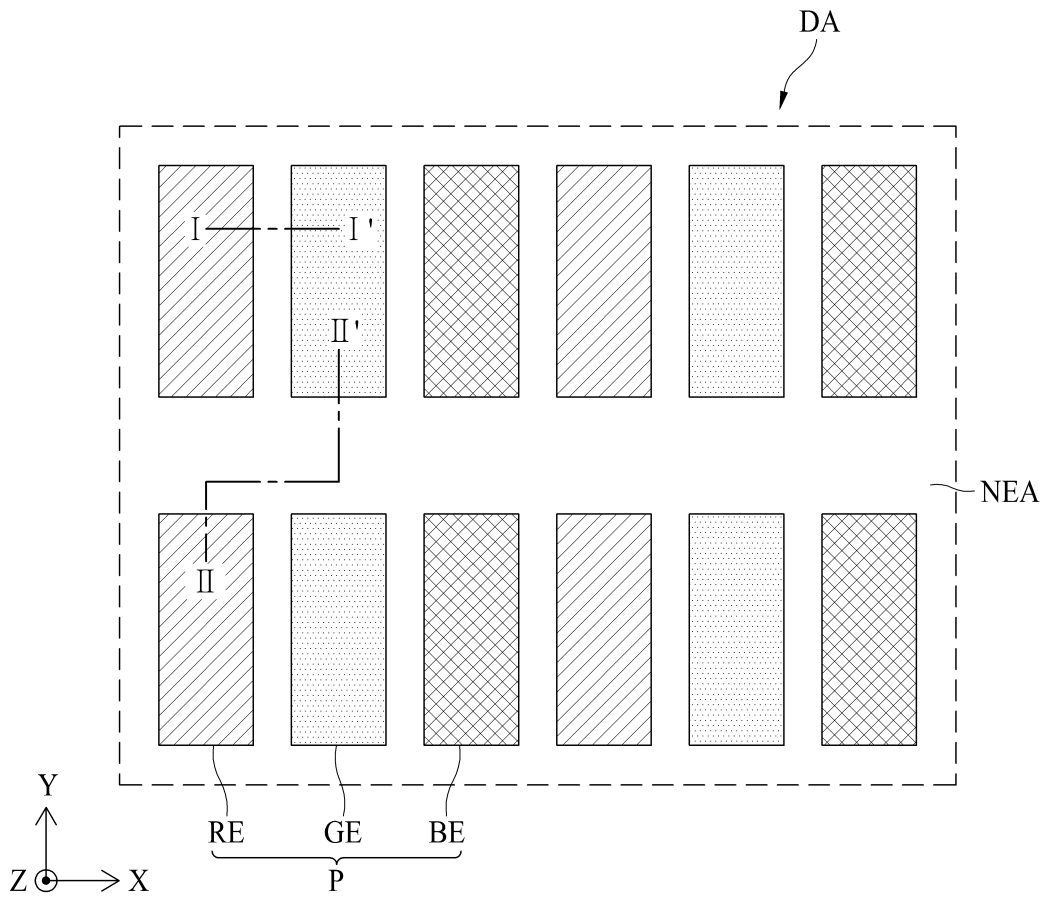
NEA :

AND :

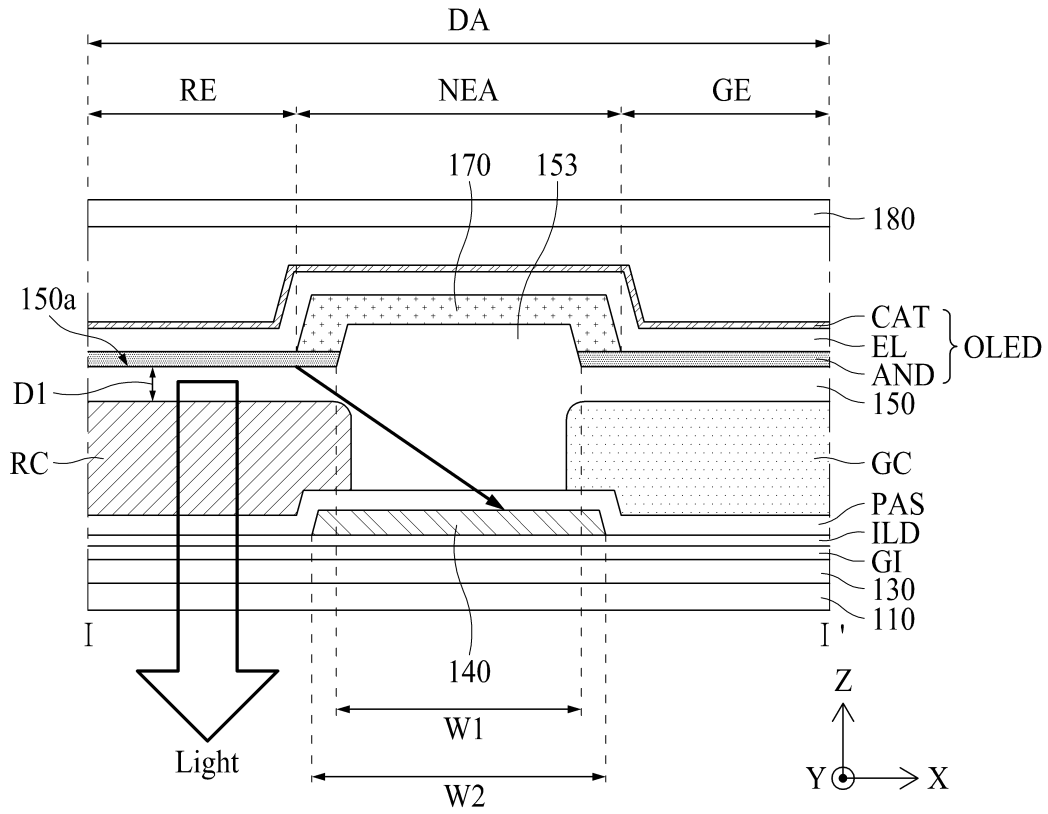
CAT :

1

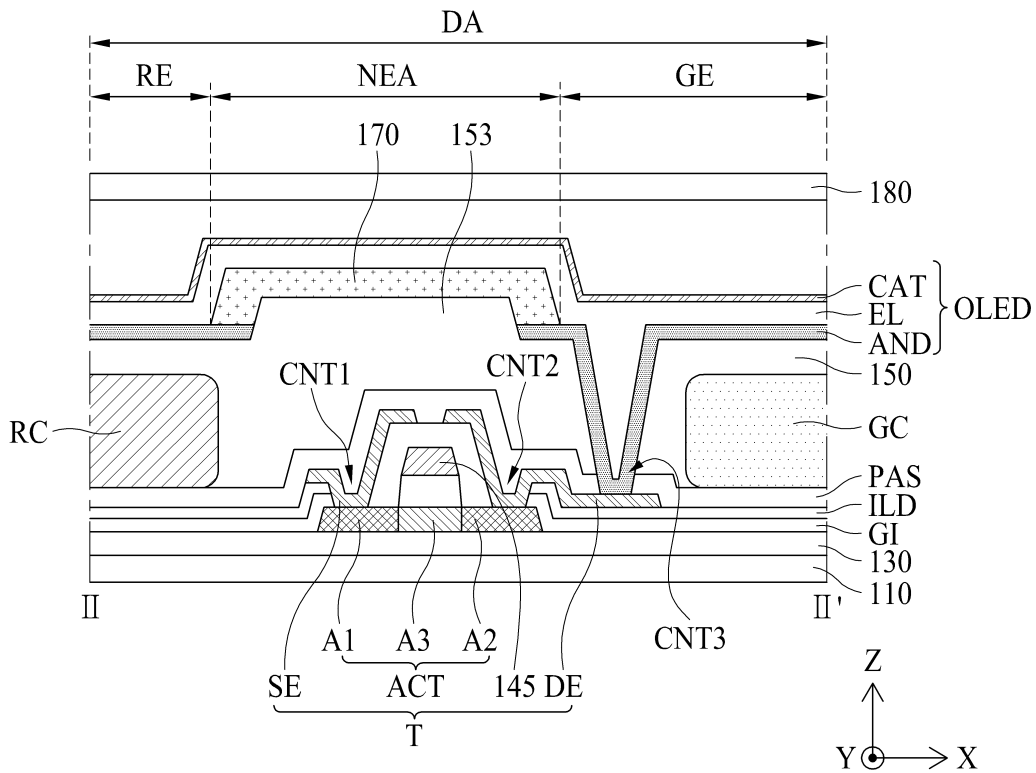




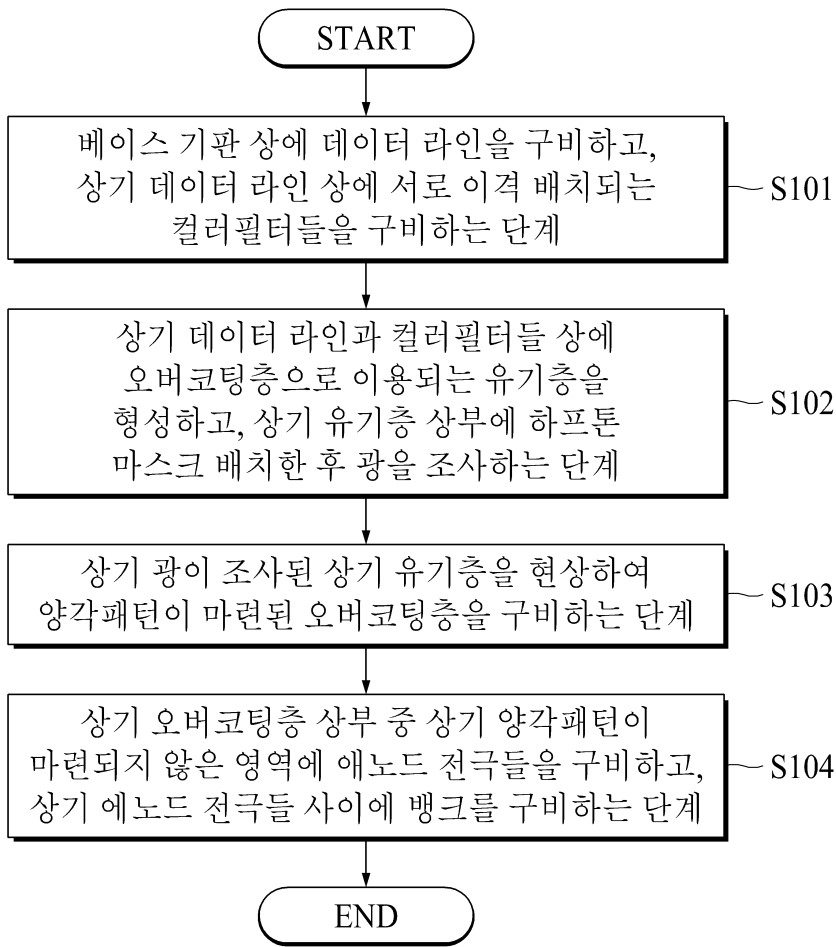
3



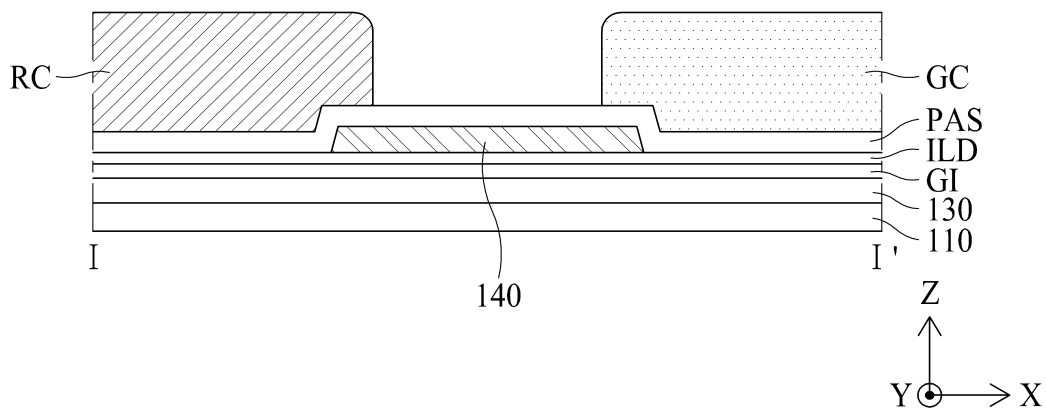
4



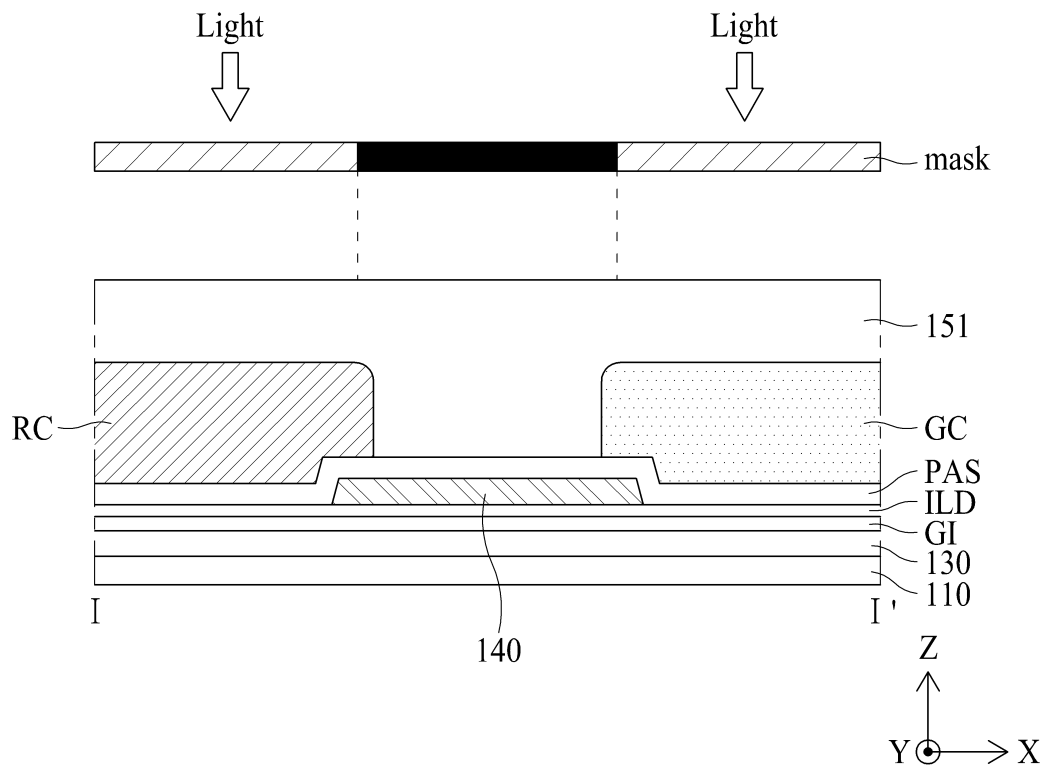
5



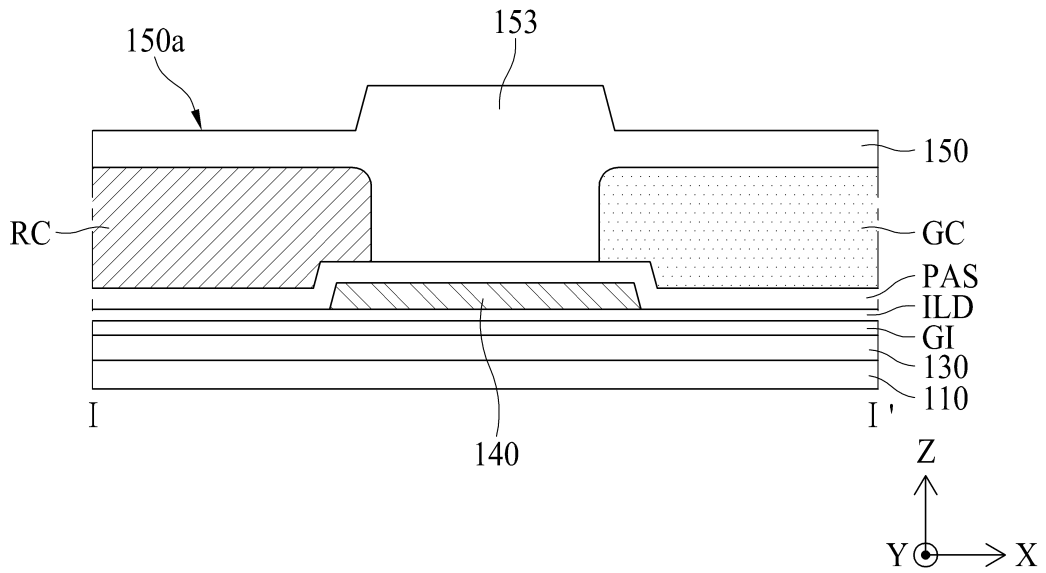
6a



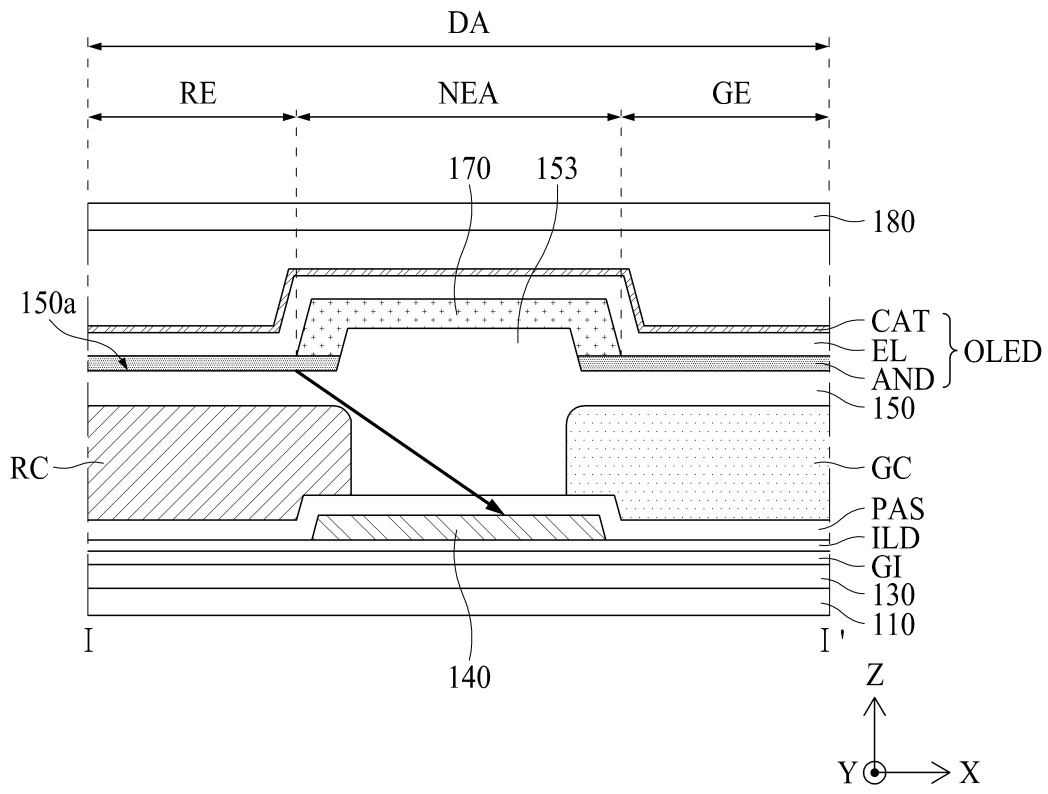
6b



6c



6d



专利名称(译)	标题：OLED显示器及其制造方法		
公开(公告)号	KR1020170125485A	公开(公告)日	2017-11-15
申请号	KR1020160055162	申请日	2016-05-04
[标]申请(专利权)人(译)	乐金显示有限公司		
申请(专利权)人(译)	LG显示器有限公司		
[标]发明人	SULHEE LEE 이설희 HYUNHAENG LEE 이현행		
发明人	이설희 이현행		
IPC分类号	H01L27/32 H01L27/12 H01L51/52		
CPC分类号	H01L27/3258 H01L27/3246 H01L27/322 H01L27/3276 H01L2251/558 H01L27/3248 H01L27/3262 H01L51/5237 H01L27/1288 H01L2251/105 H01L2227/323		
外部链接	Espacenet		

摘要(译)

本发明提供有机发光显示装置及其制造方法，其改善了显示面板的光衰。根据本发明实施例的有机发光显示装置包括基础基板，配备在基础基板上的数据线，或者配备在滤色器上的更多涂层，它们彼此分别放置在数据线数据线和滤色器上和阳极电极，其配备在外涂层上，并且在阳极电极之间制备堤。在这种情况下，外涂层包括从外涂层的上侧突出的凸起图案，并且阳极电极在没有配备凸起图案的区域中制备。

