

(19)  
(12)

(KR)  
(A)

(51) 。 Int. Cl.7  
G02F 1/1333

(11)  
(43)

10-2005-0005878  
2005 01 15

(21) 10-2003-0045775  
(22) 2003 07 07

(71) 416

(72) 109 103

1 4 401 206

474 301

1167 5 APT523-1405

4 3 2 402

(74)  
:

(54) ,

가 , 가 , 가 .

, , , , ,

, , , , ,

1a	1b	
2	1	
3	2	A-A'
4	2	
5	4	B-B'
6	3	
7	6	C-C'
8	4	

< >

100, 400, 500, 600 : 200 :

300 : 110, 410, 510, 610 :

130, 430, 530, 540, 620 :

140, 440, 550, 630 :

150, 450, 560 : 160, 460, 570 :

가 , (LCD)

가 (Flat) (Wedge)

1a , 1b , 1a

1a , 1b

1a , 1 (10) , 1 2 (16) (1가)

2a, 12b) (12) 1 2 (14a, 14b) (18)



(110) 1 2 (112, 114)  
(140)

1 2 (112, 114) (110) (110) 1 2 (110) 1 2  
(122, 124) (110) (plat type) (112, 114) (wedge typ

e) (130) (110) 1 (132), 2 (134), 3 (136), 4 ( ) (110)

(140) (110) (200)

1 2 (150) (160) (160) (130), (110),  
(112, 114), 1 2 (122, 124) (140) (110),  
(200)

1 (160) (110) (130) (110)  
(162), 2 (164), 3 (166) 4 ( )

(160) (130), 1 2 (112, 114) (110)  
1 (162), 2 (164), 3 (166) 4 (13  
(110) (162), 2 (164), 3 (13  
166) 4 (130) (160) (160)

e Carrier Package; (200) (210), PCB(220), PCB(230), (Tap  
, TCP)(240), TCP(250) (200)

(210) (212) (Thin Film Transistor)가  
(214) (212) (214) ( ) (212)  
1 (216) (214) 2 (218)

(212) RGB 가  
(212) ITO

(214) TFT( ) TFT

(Indium Tin Oxide; , ITO)

TFT 가 ,  
TFT - -

가

(214) 가 TFT가 , (213)  
(213) 가 (214) 가

(210) 가 TCP(240)가  
가 TCP(250)가

PCB(220) TCP(250)	TCP(240) (210)	가	PCB(230) 가
20)	가 PCB(230)	PCB(220) PCB( )	PCB(230) (100)
,	(300) (200)	(100)	(150)
,	(130) ( )	(160)	(300)
4	(130) ( )	1 (132), 1 (136)	(162), 2 (134), 3 (136) 가
2 130)	(164), 3 (130)	1 (166), 4 (110)	(110) ( ) (160) 1 (162), (110) (
,	(130) 1 1 (164), 3 (130)	(162), 2 (132), 3 (166)	(164), 3 (136) 가 (166) 4 (110)
) 2	(164), 3 (130)	(166) 4	(166) 4 ( ) (166) 1 (162), (110) (
,	4	4	L
2	4	4	L
4	2 B-B'		5 4
4	5 (200)	2 (300)	(400), (450)
	(460)	(410), (440)	(420), (430), (440), (450)
	(410)	(420) (440)	
26), 2 L (410) 410)	(420) 1 L (426)	(422), 1 L 2 (410)	(422) (428)
	(plat type)	1 2 L (422, 426)	1 2 (424, 428)
			(wedge type)
(430)	(410) (440)	1 (432), (410)	2 (434), (410)
		3 (436)	4 ( ) (410)

(450) (460) (460) (430), (410),  
 (420) (440) , (200)

1 (460) (410) (430) (410)  
 (462), 2 (464), 3 (466), 4 (468)

1 (460) (430), (410), (420)  
 4 (462, 464, 466, 468) (430) (410)  
 1 4 (462, 464, 466, 468) (430)

(200) 2 ,  
 (430) 1 4 462, 464, 466, 468)  
 가

2 ,  
 가

6 3 C-C' L , 7 6

6 7 (200) 3 (300) (500),  
 (550), (500) (560) (510), 1 2 L (522, 524), 1 (530), 2 (540),  
 (510) 1 2 L (522, 524) (550)

1 2 L (522, 524) (510) (510) , 2  
 (540) (510) 1 2 L (522, 524) 1 2 L (522, 524)

1 (530) (532, 534, 536) ,  
 (510) (510) (510)

2 (540) 1 (530) 1 (530) 1 2 L 1 (522, 524)  
 (510) 1 2 L (522, 524)

(550) (510)

(530), (560) (570) (570) 2 (540), 1  
 (510), 1 2 L (522, 524) (550)

(570) (510) 1 2 (530, 540) (510)  
 1 (572), 2 (574), 3 (576) 4 ( )  
 (510) 1 2 (530, 540)

6) (570) 1 2 (530, 540), 1 (510), 1 2 L (522, 524) (550)  
 4 ( ) 1 2 (572), 2 (574), 3 (574), 3 (57)  
 (530, 540) (510)

1 (572), 2 (574), 3 (576) 4 ( ) 1  
 (530) 2 (540) 1 (530) 2 (540) 1

(200) 2 , .  
 1 (530) 2 (540) 1 3 (572, 574, 576)  
 가

2 3 , ,  
 , , , 2  
 가 , ,

1 3 , 8  
 8 4 , ,

8 (620) , (630) 4 (610)  
 (620) (630) (610),

(610) ( ) 1 2 (612, 614) , 1 2  
 (612, 614) 1 (616) , (616) 2 (61  
 8) , 가 (630) ( )  
 616) 1 (616a), 2 (616b), 3 (616c) 4  
 (616d)가

(620) 1 4 (622, 624, 626, 628)  
 , (610) , (616) , (610) (610)

(630) (610) , (610) (618) , (610)

2

(57)

1.

, ,  
, ,  
;  
;

2.

1 , .

3.

1 , .

4.

1 , .

5.

;  
가 ;  
, 1 ;

6.

5 , 1 1

7.

6 , 1 .

8.

5 , 1 2 .

9.

8 , 2 .

10.

8 , 2 2

11.

8 , 1 2

12.

8 , 2

13.

12 , 2 1 1 ,

14.

5 , I

15.

5 , L

16.

; , 가 , 1 ;

17.

16 , 1 1

18.

16 , 1 2

19.

18 , 2 2

20.

2 ;

가 , 가 1 , 1

21.

20 , 1 ,

1 ,

1

22.

20

,  
 1 2 ;  
 , 1 2 ,  
 1 1 , 2 1 2  
 ,  
 1 2 1

23.

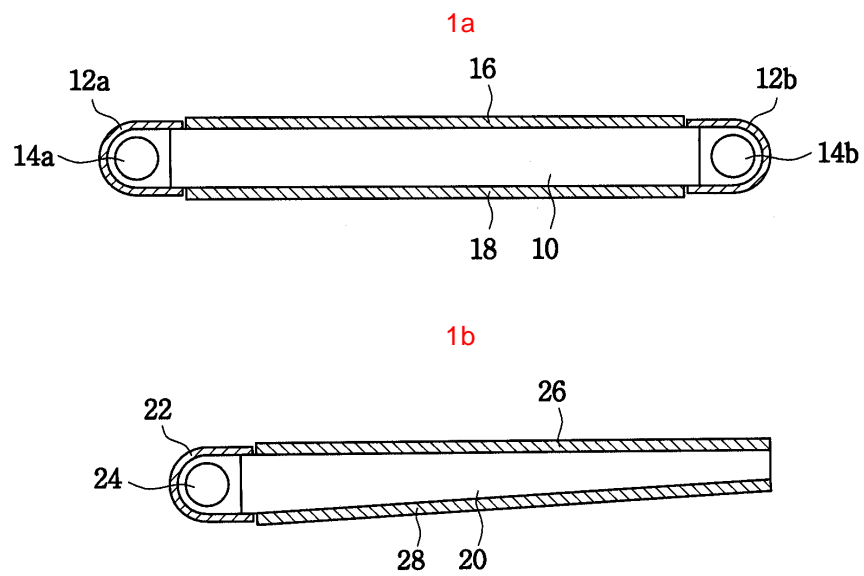
20

, 1 ,  
 , 가 ,  
 ,  
 가 , 1

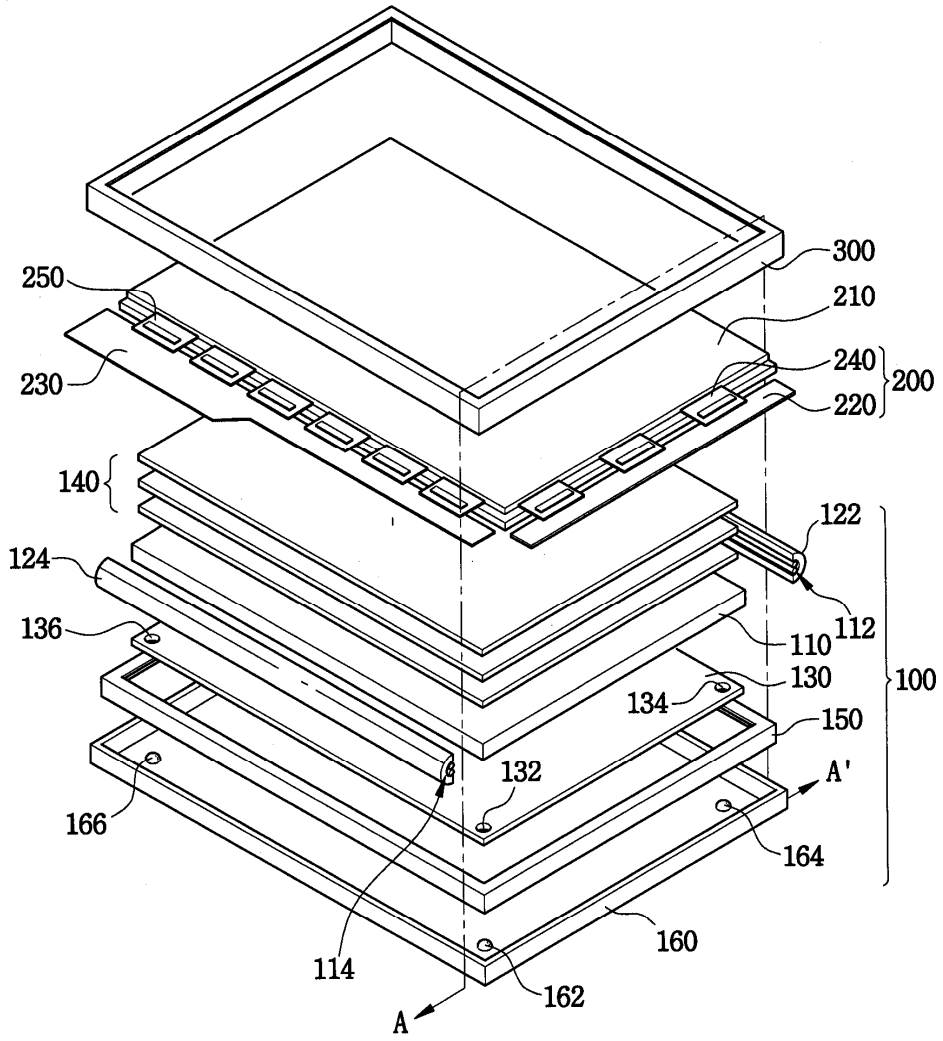
24.

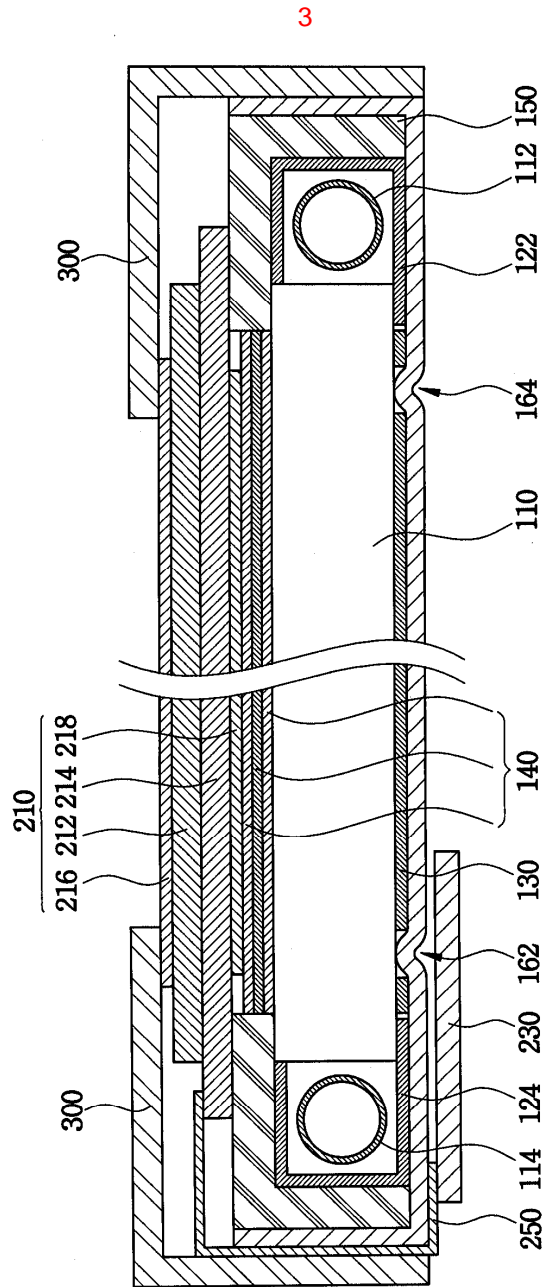
20

,  
 1 2 ,  
 1 1 , 2 1 2  
 ,  
 , 가 ,  
 ,  
 1 2 가 , 1

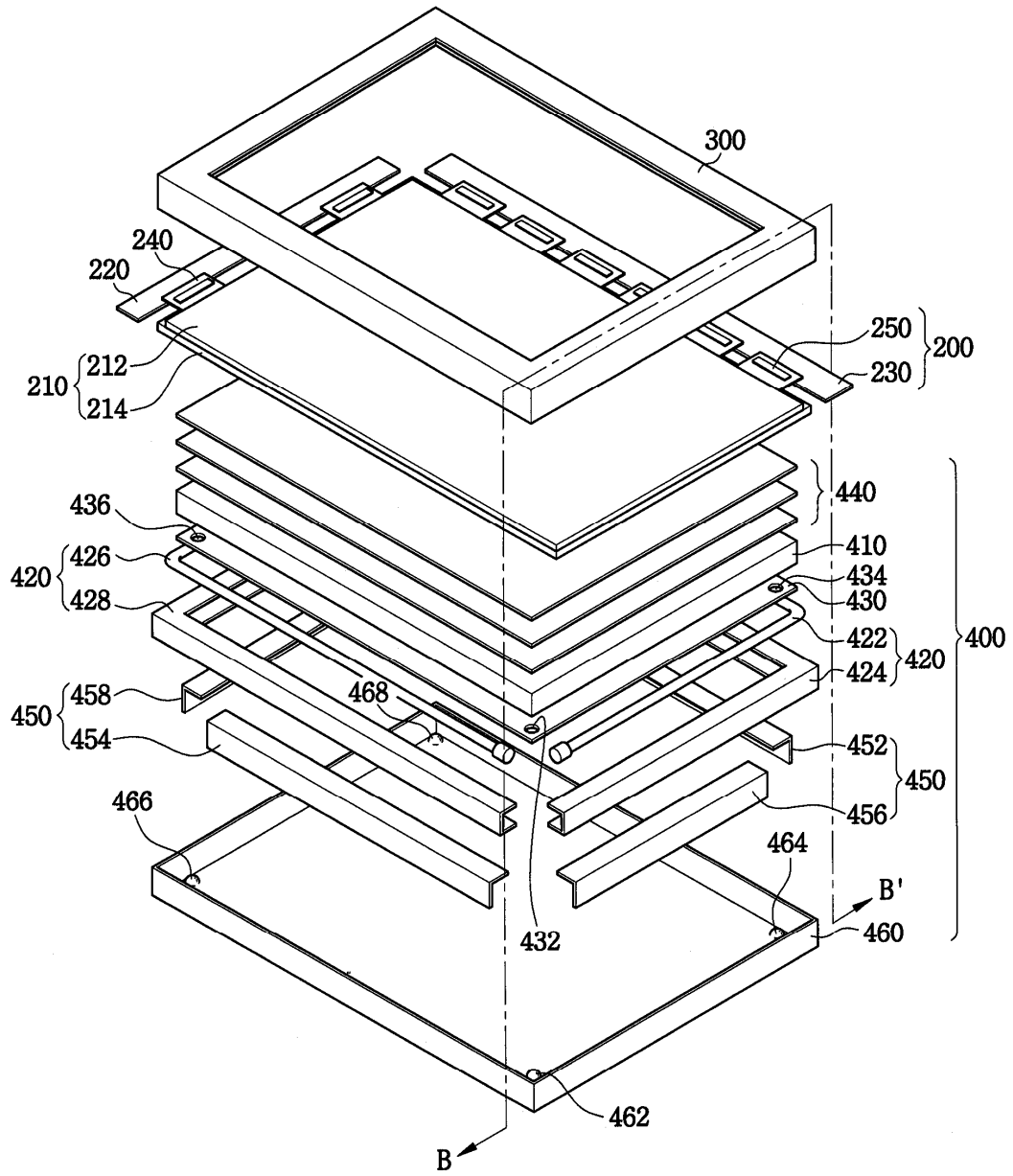


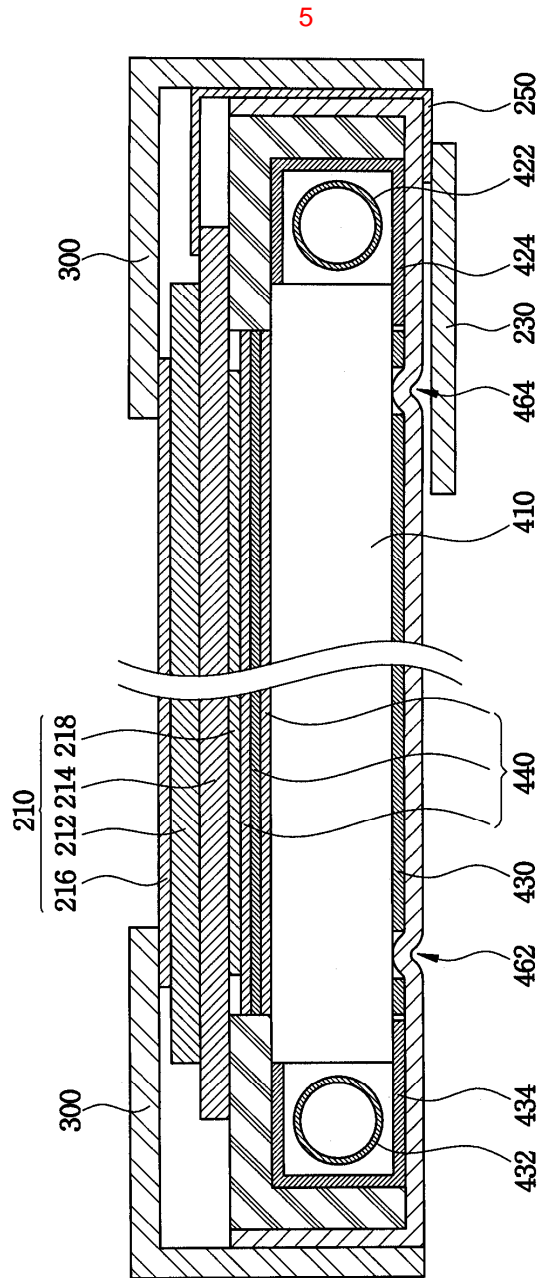
2



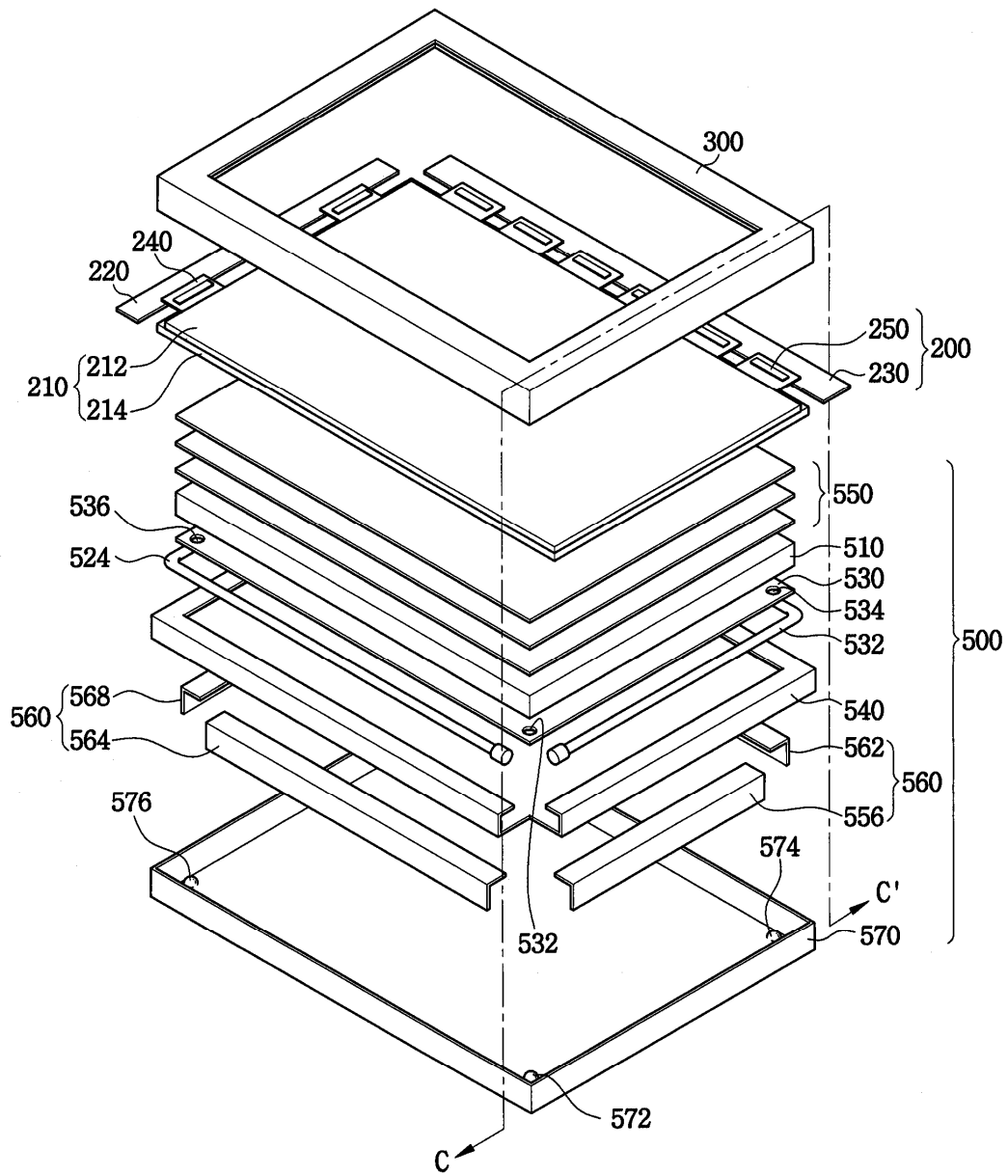


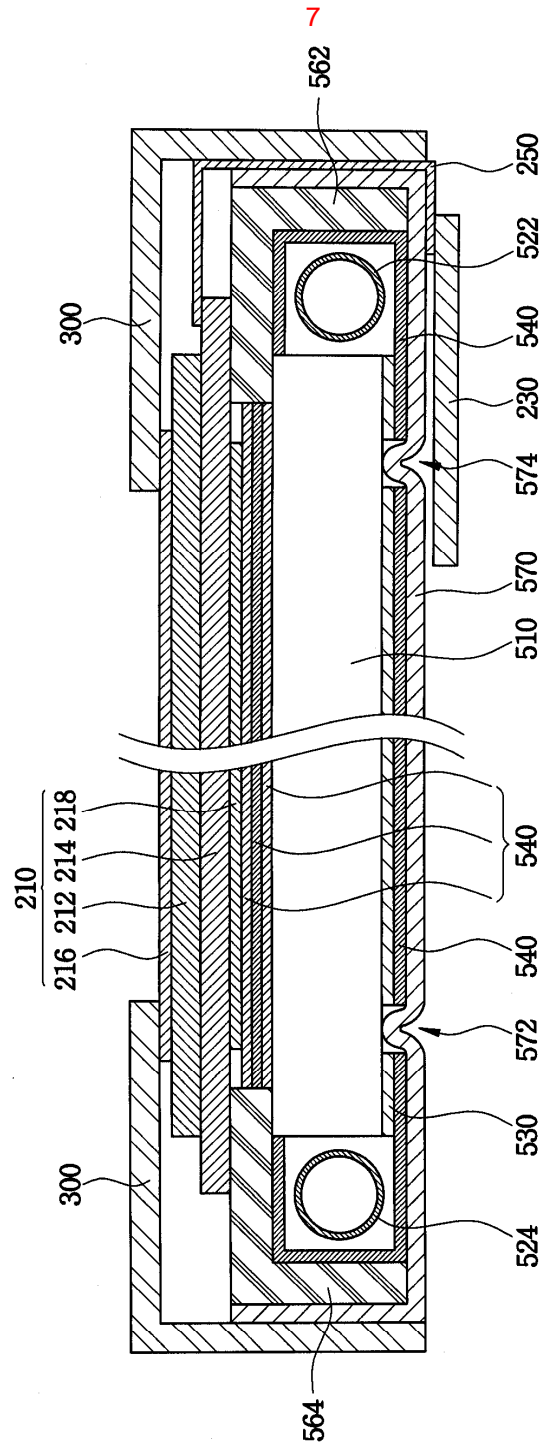
4





6





8

