

(19)  
(12)

(KR)  
(A)

(51) 。 Int. Cl.<sup>7</sup>  
G02F 1/1335

(11)  
(43)

10-2004-0059097  
2004 07 05

(21) 10-2002-0085631  
(22) 2002 12 27

(71) .  
20

(72) 876 348 1002

41 407

(74)  
:

(54)

;  
R,G,B ; (Red), ; (Green), (Blue) R,G,B .

5d

1 .

2 .

3 .

4 .

5 .

\*\*\* \*\*\*

200: 220:

221: 223:

225: 230:

(Mobile Phone), PDA, (Flat Panel Display Device) 가  
 LCD(Liquid Crystal Display), PDP(Plasma Display Panel), FED(Field Emission Display), VFD(Vacuum Fluorescent Display) (LCD)가

1 (5) (3) (5) (3) (7) (1)  
 5) (Array) (Thin Film Transistor) 가 (3)  
 (Color Filter) (2) 가 (3)  
 (8) (7) (5) (3) (7) (4)  
 (5) (3) (Sealing material)( ) (7)  
 (5) (9)

(3) (5) (5)  
 (Date Line) (5) (Gate Line)  
 가 가

(4) (3) (2)

2

2a (21) (26)  
 (photolithography) (22) 2b  
 (Red) (27) (28)  
 2c (23a)  
 (Green) (Blue) (23b,23c) , R, G, B (23) 2d

가

가

Red), (Green), (Blue) (

; R,G,B ; R,G,B

R,G,B 가 ;

R,G,B ; 가 ;

R,G,B UV ; 가 ;

R,G,B 가 ;

R,G,B 가 ;

(Red), (Green), (Blue)

1 1 ; R 가 1 1 2 ; R,G B 가 1 2 3 ;

1 G ; 3 R,G,B B ; 1 R,G,B ; 4

1 ; 4 ; 2 , 2 4 ; 2 , 4

R,G,B R,G,B

(Red), (Green), (Blue)

1 1 ; 1 R ; 1 R ;

G 1 ; 1 2 ; 1 2 G ; 1 3 ; 1

R 가 G B ; 1 R,G 가 B ; 1

3 B ; 4 ; 2 ; 2

4 ; 4 ; R,G,B R,G,B

1

3  
 3a  
 (102) (100) (102) (104) (100) (102) (104)  
 (104) (108) (120)  
 (102) (104)가

3b  
 (100) (102) (104) (100)  
 (110) (110) 1 (100) (102)  
 (104)가 (110)

3c  
 (110) (104) (121)  
 4) UV (110) (204)가 (121) (121) (121) 1 (10  
 (121) (104) (121) (110) 가

4 5 5 4  
 (R), (G), (B)  
 (220) ; (200) R,G,B (221) (230)  
 (230) R,G,B (240)가 가

(200) R,G,B  
 (200) (230) R,G,B (200) 가 (200)  
 ( )가 가  
 (240) (230) 가 (240) (2300)  
 (200) (230) (200) (230)  
 ( ) (200) (200) (200)

1 (230a) R 가 , R 가 1 (230a) 1  
 (200a) B 가 , R 2 3 (200b,200c) G (230b,230c) G

(230) (200) R,G,B 가 1  
 (220a) 1 (200a) (220a) R 가  
 R (223a) (221) R (223a)가 (220a) (221) 5a  
 1 (220a) G (220a) R (220a) 2 (220a)  
 3b) (221) B 5c R (223a)가 (221) G (22  
 (223) B (223c) R,G (223a,223b)가 (221) UV  
 4 (230d) 4 (230d)  
 4 (200d) 4 (200d)  
 2 (220b) 2 (220b) 5d 2 (220b)  
 (223) R,G,B (223)  
 UV (225)  
 200c) 6 (220a) R,G,B 가 1 3 (200a  
 221) R,B,G (123) R,G,B (220a) R,G,B  
 가  
 R, G, B 가  
 R,G,B 가  
 가  
 가  
 (flexography method)

(57)

1.  
 (Red), (Green), (Blue)  
 ;

R,G,B ;

R,G,B

2.  
 1 R,G,B

가 ;

3.  
1 , R,G,B

;

4.  
1 , R,G,B 가

5.  
4 , UV

6.  
1 , R,G,B 가

7.  
6 , ;

;

R,G,B 가

8.  
6 , UV 가

9.  
(Red), (Green), (Blue) ;

R,G,B ;

1 1 , 1 R 1 ;

R 가 1 2 , 2 G ;

R,G 가 1 3 , 3 B ;

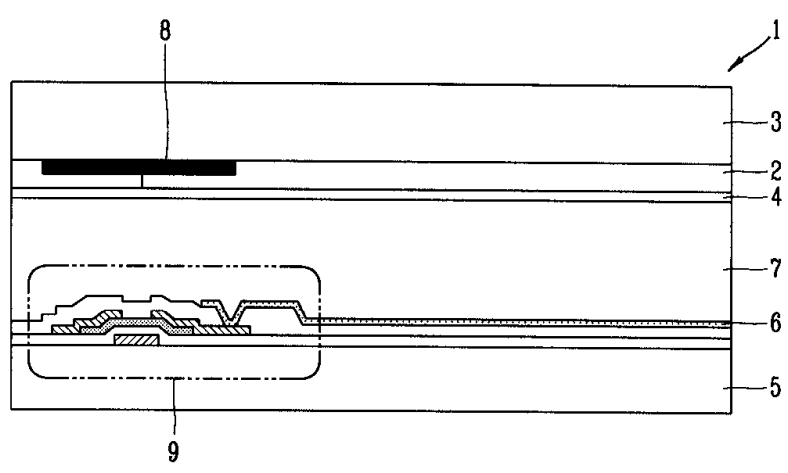
1 ; R,G,B , R,G,B ;

4 2 , 2 4 ; , 4  
 2 R,G,B R,G,B  
 .

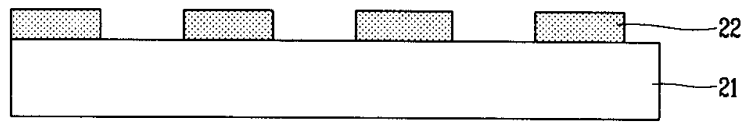
10.  
 (Red), (Green), (Blue) ;

R,G,B ;  
 1 1 ; , 1 R 1  
 ; 1 R , R  
 1 2 ; , 2 G 1  
 1 ; G , R 가 G  
 1 3 ; , 3 B 1  
 1 ; B , R,G 가 B  
 4 2 , 2 4 ; , 4  
 2 R,G,B R,G,B  
 .

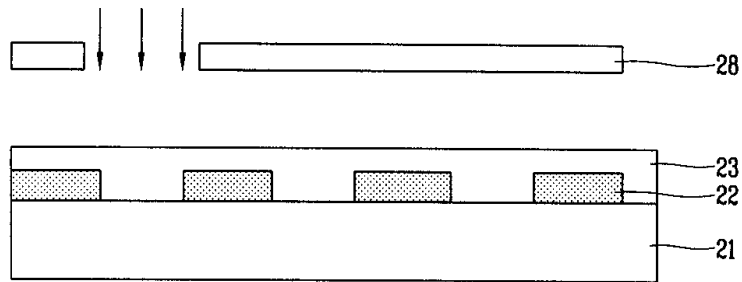
1



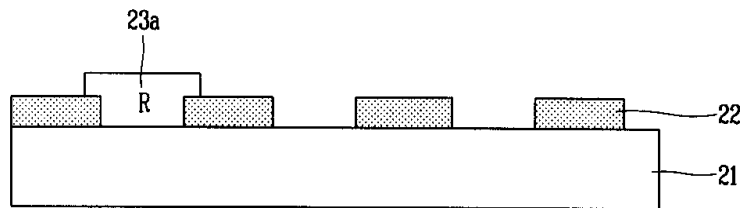
2a



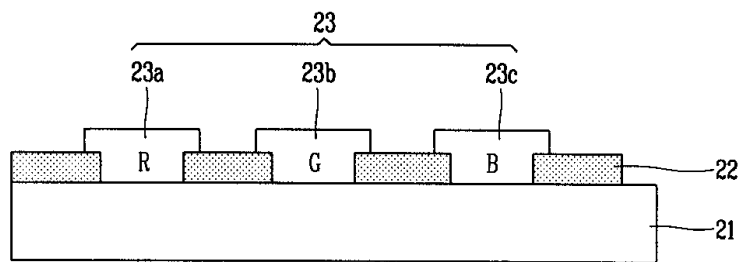
2b



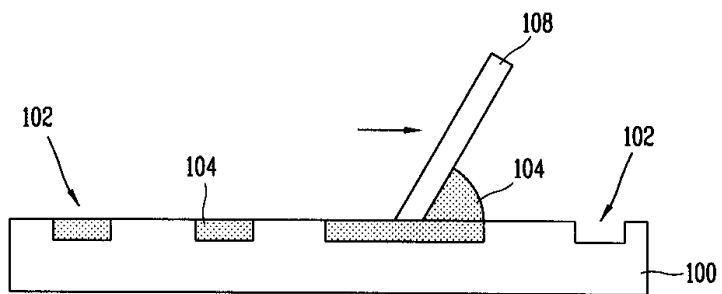
2c



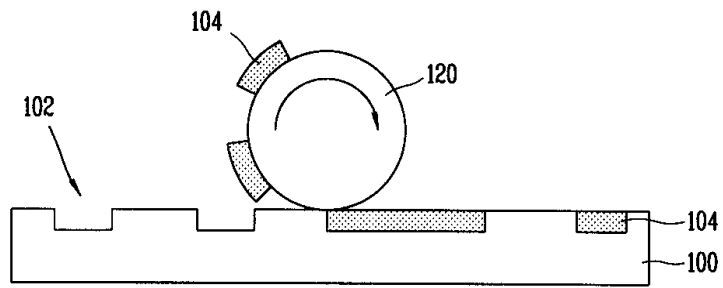
2d



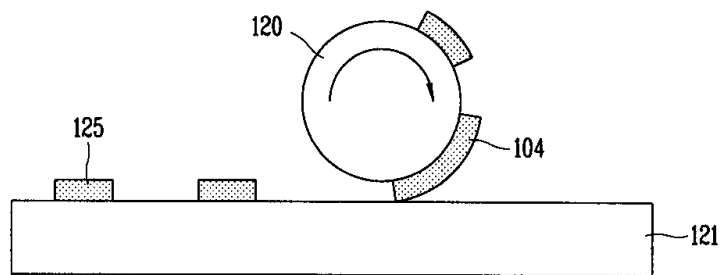
3a



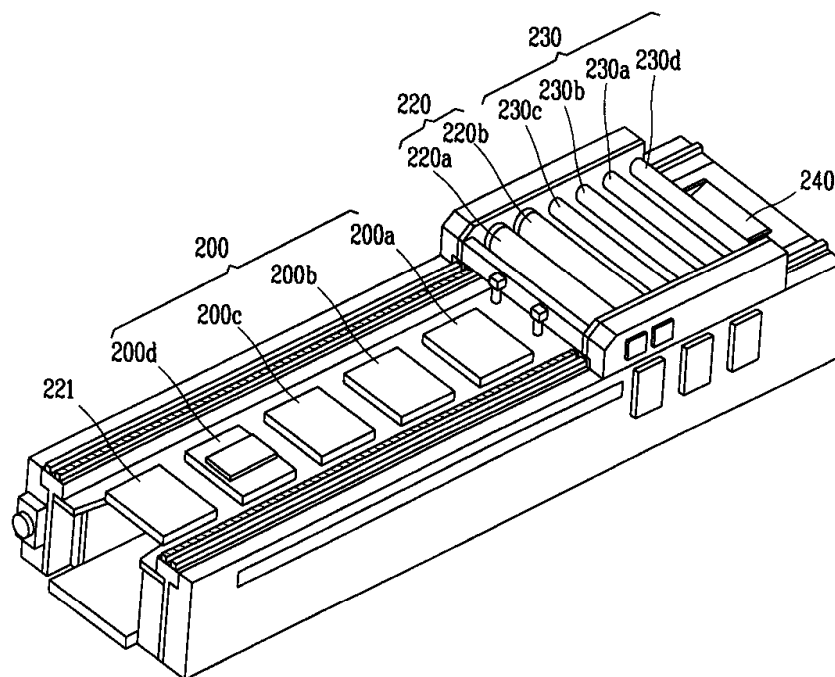
3b



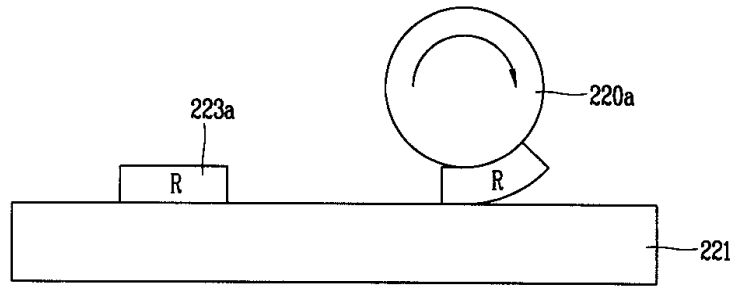
3c



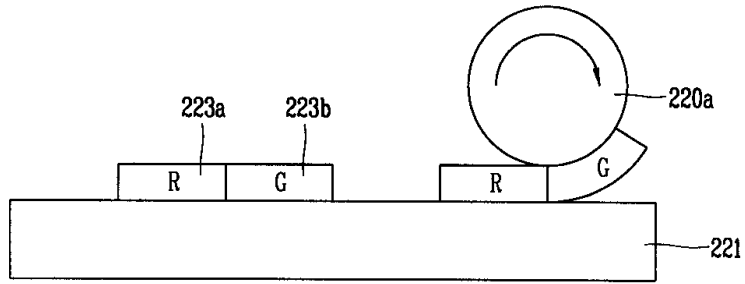
4



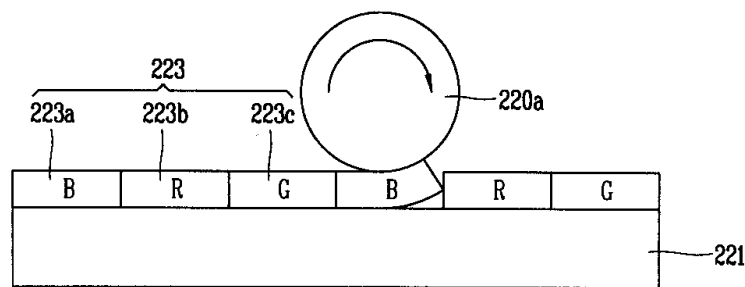
5a



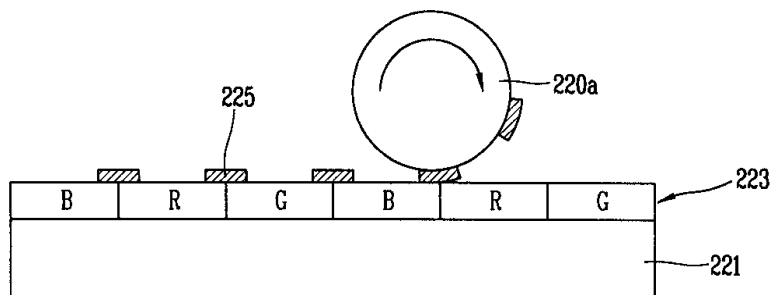
5b

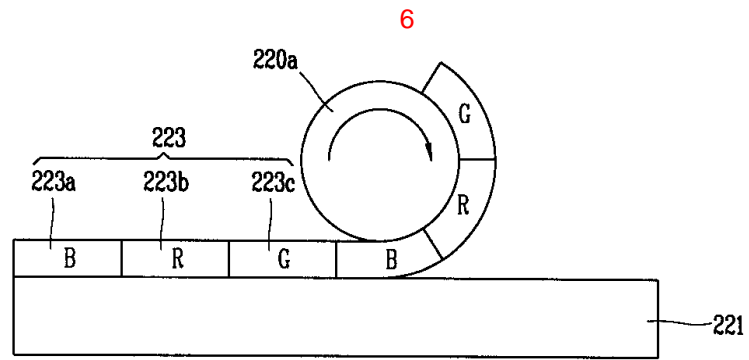


5c



5d





专利名称(译)	液晶显示元件的滤色器的制造方法		
公开(公告)号	<a href="#">KR1020040059097A</a>	公开(公告)日	2004-07-05
申请号	KR1020020085631	申请日	2002-12-27
[标]申请(专利权)人(译)	乐金显示有限公司		
申请(专利权)人(译)	LG显示器有限公司		
当前申请(专利权)人(译)	LG显示器有限公司		
[标]发明人	YOO HONGSUK 유홍석 BAEK MYOUNGKEE 백명기		
发明人	유홍석 백명기		
IPC分类号	G02F1/1335 B41M1/10 B41M7/00 G02B5/20 B41F9/01 B41M3/00		
CPC分类号	B41M7/00 B41M7/0081 B41M7/009 B41M3/003 G02F1/133516 B41M1/10 B41M7/0072 G02B5/201		
代理人(译)	PARK , JANG WON		
其他公开文献	KR100945356B1		
外部链接	<a href="#">Espacenet</a>		

摘要(译)

本发明涉及一种制造液晶显示装置的滤色器的方法，更具体地说，涉及一种制造液晶显示装置的滤色器的方法，其中多种红色，绿色和蓝色油墨，制备和的步骤;在清洁器的凹槽内填充R，G和B颜色;同时打印填充在基板上的清洁剂中的R，G和B颜色墨水。图5d

