



1 ,  
 2 7 ,  
 8 2 가 1 ,  
 9 2 가 2 ,  
 10 .  
 \*  
 10 : 11 :  
 12 : TFT 13 :  
 20 : 30 :  
 40 : 50 :  
 60 : 61 :  
 62 : 63 :  
 64a,64b,64c : 65 :

, , , ,  
 가 , , , ,

1 , (110) , (110) , (110)  
 (200) .  
 (120) , (200) , (130) , (130) (110)  
 (160) .  
 (130) (120) , (130) (120) (20)  
 (120) , (120) (130) (140) (1)  
 40) (130) (120) (120)  
 (130) (CCFL : Cold Cathode Fluorescent Lamp)가

(120) (130) (110) (110)

(120) (120) (120)

(150)

(120) (160) (110) (161), 1 (162) 2 (163) (160)가

(161) (120)

(110)

(161) 1 (162) 2 (163) (110)

(162a,163a) (162) 1 (162) 2

(163) (161) (162) (162a) 2 (163) (163a)

(161) (162,163b) (162,163a)

3) PET (163a)

(DBEF : Dual Brightness Enhancement Film)(164) 2 (163) (110)

(164) (130) (164) P (110) (164) S (16)

1), (120) (150) (164) S (164) S P

(164)

가

(162,163) , PET (162b,163b)

(162,163) (110)

(162,163) 가

가 (164) , 가 가

가

1

2

1

1

가

30%가

1

가

1

2

가

30%가

가

가

2 (60) 1 (60) (DBEF : Dual Brightness Enhancement Film)(61) (62) (61)

(61) X Y (61) P S Y

61) (62) (61) 가 (62) (63) (61) (63)

20~100 $\mu$ m 가 60~70°

3 (60a) 2 (60a) (61) (61) (61) 2 (65)가 (62)

(62) (62) (61) 1 (60) (62)

(61) , .

(65) , 3 , (Bead) , (Haze)

) 30% (65) (61) (60)가 ,

(62) (Moire) (Rainbow) .

4 3 (60b) , 2

(60b) (61) , (61)

(62) , (61) 1 (64a)

(62) (61) 1 (60) (6

2) (61) , .

1 (64a) (PolyCarbonate) (61)

1 (64a) , (61) (62) (60b)

5 4 (60c)

4 (60c) , (61) , (61)

(64a) , (61) (62) (61) 1

(62) (61) (62) 2 (64b)

(61) (61) 1 (60) (62) (60b)

1 (61) , 1 (64a) 3

(60c) 가 , 2 (64b) (61) (62)

(64a) (60) . 2 (64b) 1

3 (65)가 4 5 (60d) 1 (64a)

(64a) 가 6 5 4 1 (60d) 1

5) , (60d)가 , (62) (64a) (60d) 1

Rainbow) . (Moire) (

7 5 (60e) , (61) , (61)

5 (60e) , (62) , (61) (62) (62)

(64c) (61) , (61) (62) 1 (

60) (64c) (61) (62) , (60e) 가 ,

5 (60)가 (60e) , (62) (65)가

(Rainbow) . (Moire)

1 (60)가 1 8

1 (1) , (30) , (

30) (1) (20) , (20) (20)

(20) (20) (60) ,

(20) (1) (20) (1)

(1) (62) , (62) (61) (1)

(62) (61) (60)

(1) , TFT (12) , (11)

(12) 가 TFT (12) (30) TFT (20)  
 (1) (11) TFT (12)  
 (13) , (30) (30)(CC  
 FL : Cold Cathode Fluorescent Lamp)가 , EL(Electro Luminescence) LED(Light Emitting  
 Diode)  
 (30) (20) (20) (40) (40) (30)  
 (20) (20) (30) (30) (1)  
 (20) (1) (1)  
 가 ( )  
 (1) (20) (60) 1 (60)  
 (60) (61) (62) (63) (62) (20) (20) (60)  
 (1) (20) (20) (61) (1)  
 (62) (62) (61)  
 (61) , X , Y  
 (62) X X Y  
 (61) , S Y (20) P X , Y  
 (61) (61) S X (20) (61) ( )  
 20 (61) (60) S X (1) (20) (61)  
 (61) 가 45° , (61) X  
 , 9 1 (60)가 2 1  
 30) 2 (1) (20) (20) (30) ( )  
 (20) (61) (60) (62) (62) (1) (20) (1) (20)  
 (61) (60)가 (62) (62)  
 (1) TFT (12), (11)  
 (11) TFT (12) (13) (13)  
 (60) TFT (12) (13) (13)  
 , TFT (13) P S (60)가 P , S  
 , TFT (13) P S (60)가 P , S  
 , (62) (64) (60) 가 , 10 ,  
 (61) (A) (60f) 가 (60f) 가 45° , (62)  
 (64) (60f) 가 45° ,  
 (60f)가 , TFT



2 7. ,

2 8. 7 ,

1 가 .

8 9. ,

1 1 30%가

10.

10 11. ,

가

11 12. ,

1

12 13. ,

2

11 14. ,

10 15. 14 ,

15 16.

가

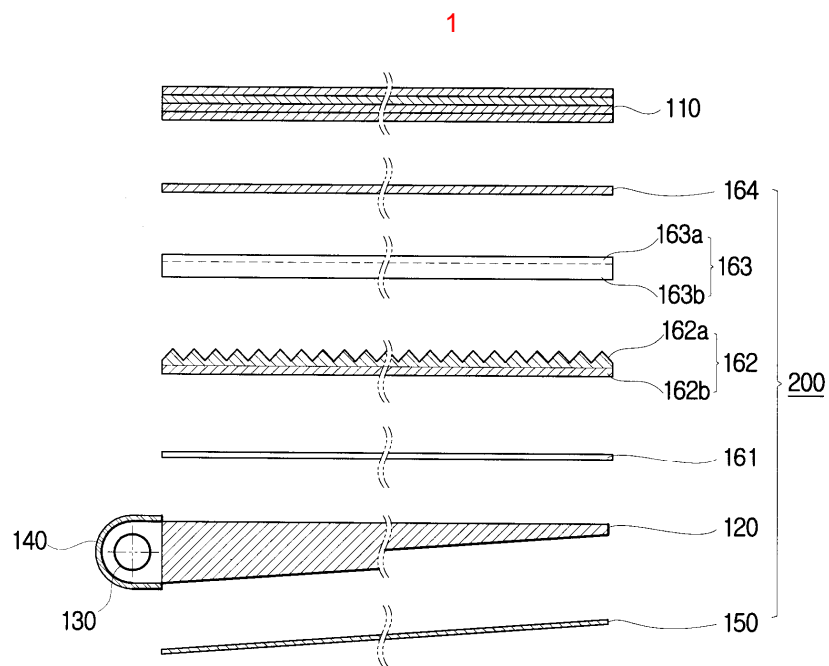
16 17.

30%가

11 18.

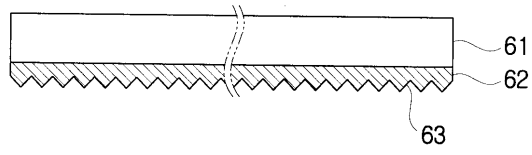
18 19.

가



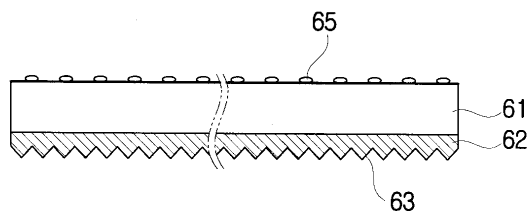
2

60



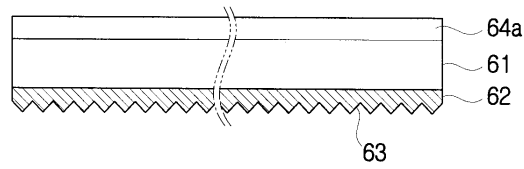
3

60a



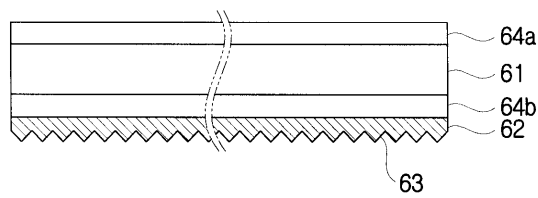
4

60b

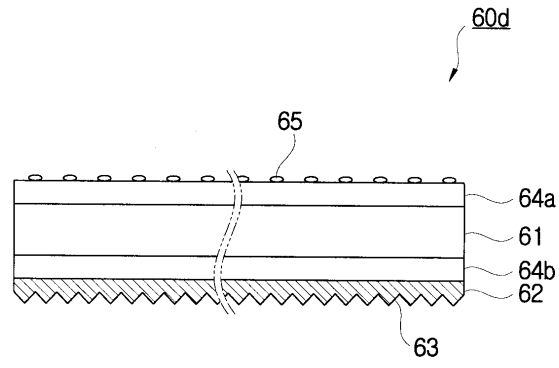


5

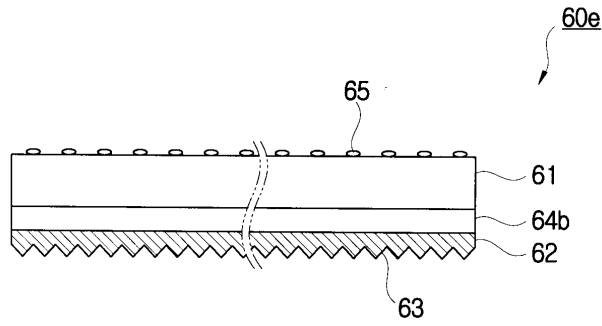
60c



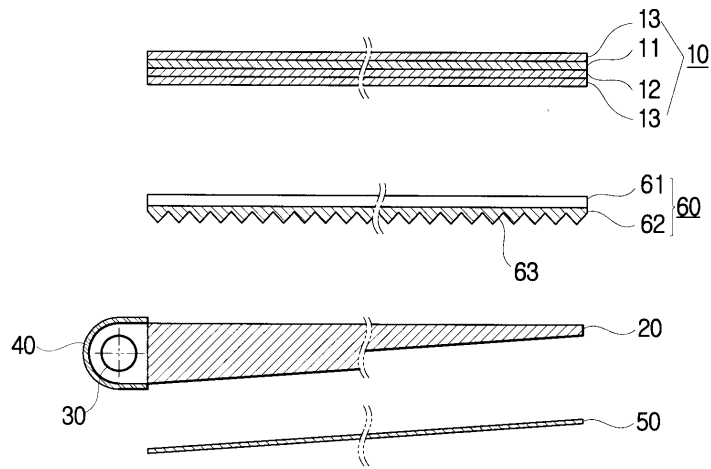
6



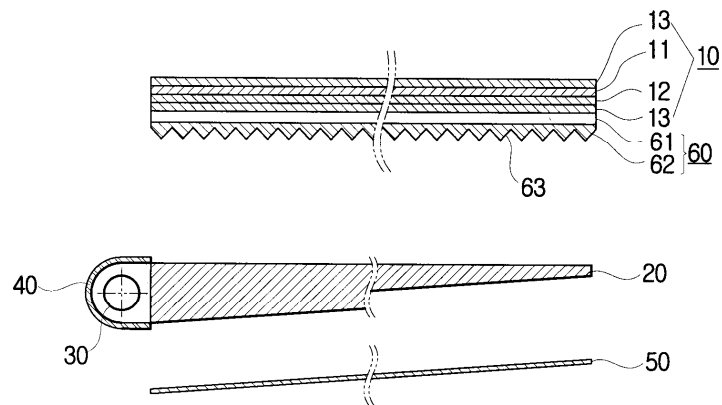
7

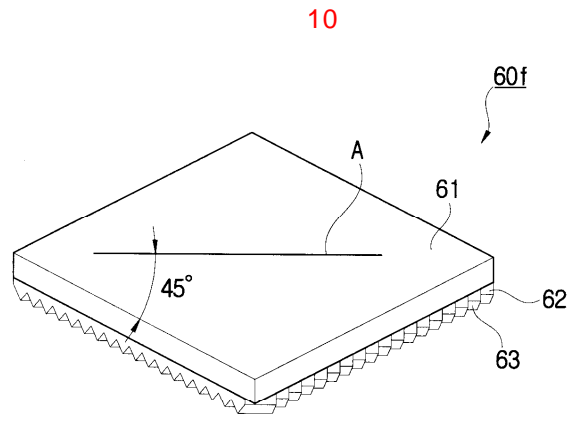


8



9





专利名称(译)	光学片和使用它的液晶显示器		
公开(公告)号	<a href="#">KR1020040078925A</a>	公开(公告)日	2004-09-14
申请号	KR1020030013757	申请日	2003-03-05
[标]申请(专利权)人(译)	三星电子株式会社		
申请(专利权)人(译)	三星电子有限公司		
当前申请(专利权)人(译)	三星电子有限公司		
[标]发明人	LEE JEONGHWAN 이정환 HAN BYUNGWOONG 한병웅 PARK JONGDAE 박종대 KIM DONGHOON 김동훈 KIM MINGYU 김민규		
发明人	이정환 한병웅 박종대 김동훈 김민규		
IPC分类号	G02F1/1335 G02F1/13357 G02B5/30 G02B5/04 F21V8/00 F21Y103/00		
CPC分类号	G02F1/133615 G02B6/0056 G02B6/0053		
代理人(译)	PARK, YOUNG WOO		
其他公开文献	KR100962650B1		
外部链接	<a href="#">Espacenet</a>		

摘要(译)

本发明涉及用于液晶显示器的棱镜片和使用该棱镜片的液晶显示器。根据本发明的液晶显示器包括LCD面板，该光学片具有光，其与在浓缩层的LCD面板侧表面中制备的凝聚层会聚，凝聚和凝聚层选择性地成为一体，反射和反射偏振层透射来自导光板的光，它被安排在LCD面板之间，其中图像指示灯，发光导光板，来自灯的光面向LCD面板的光导板和液晶面板。因此，提供了一种改善质量的液晶显示器，包括亮线和亮度等，它在薄板中很好地存在。

