

(19)
(12)

(KR)
(B1)

(51) 。 Int. Cl. ⁷
G09G 3/36

(45)
(11)
(24)

2002 10 11
10 - 0355593
2002 09 24

(21) 10 - 2000 - 0062407
(22) 2000 10 23

(65) 2001 - 0040164
(43) 2001 05 15

(30) 11 - 301727 1999 10 22 (JP)

(73) 가 가 5 7 1

(72) 5 7 1 가 가
5 7 1 가 가
5 7 1 가 가
5 7 1 가 가

(74)
:

(54)

LCD , (G1, G2. ...) 가
(GL1, GL2. ...) (302) (306) (GL1, GL2,...)
(302) (BL1, BL2,...) , (302)
(302)

- 1a TN LCD , 1b TN LCD ;
- 2 1a LCD LCD 가 ;
- 3 1a LCD LCD ;
- 4a LCD , 4b LCD ;
- 5 LCD ;
- 6 5 LCD 가 ;
- 7 5 LCD LCD ;
- 8 5 LCD ;
- 9 5 LCD ;
- 10 9 .

201, 202 : 301 : LCD

302 : 303a, 303b :

304 : 305 :

307 : 308 : TFT

309 : 310, 311 :

(in - plane)

(, LCD) LCD , LCD
 TN ()LCD , LCD

1a TN LCD , 1b TN LCD
 1a TN LCD (100) , (F) (100)
 " " (100) (101) (102) (101 102)
 가 (101 102)

(101) (100) (101) (103)
 (102) (100) (102) (104)
 (103) LCD (101) (104)
 (103) (104) , 가 (104)
 (103 104) LCD

1b , TN LC (105) (101 102)
 , LCD 가 LCD , LCD
 가 , 10 ,
 30 ° , 20 ° , ±45 °

2 , 1a LCD 가 (106)
 (100), (100) (103) (104) 가 ,
 (104) MOSFET(TFT; 107) TFT(107) (104)
 (column) (D1) , (row)

3 , 2 LCD , 2 (106) L
 CD (108) (D1, D2,...) (106) (G1, G2,...) (106)
 G2,...) LCD (108) (109) (G1,
 (D1, D2,...) LCD (108) (110)
 (103) (103T)

LCD LCD TN LCD
 4a 4b 1a 1b TN LCD LCD

4a , (204) (203) (202) , (F1)
 (204) (203) (201 202)
 LCD 2 3 TN LCD

4b , (205) (201 203)
 가 , 10
 LCD ±70 °

LCD , , TN LCD , (line pitch) (

(line resistance) 가 , L
 CD
 가 , LCD
 LCD , , LCD
 , , 1 2
 ,
 1 , ; , , ,
 ; TFT ; ;
 ;
 2 1 ; LCD
 LCD , 1 2 ,
 가 , LCD
 ,
 5 , LCD (301), LCD (301) LCD , (302)
 (303b), LCD (301) (304) 1 (303a) 2
 LCD (301) , (302) (G1, G2,...),
 (302) (D1, D2,...)
 (G1, G2,...) 1 (303a) (GL1, GL2,...),
 2 (303b) (GR1, GR2,...) 1 2 (3
 03a 303b) 가 , (GL1, GL2,...) (GR1,
 GR2,...) (G1, G2,...)
 (D1, D2,...) (304) (DT1, DT2,...) (304)
 (DT1, DT2,...) (D1, D2,...)
 LCD (301) (302) 4a (206) , 4a
 LCD
 LCD

6 , (302) (305), (305) (306) (3
 07) 가 , 가 TFT(308) . TFT(308)
 (307) (308S), (D1, D2,...) (308D), (G1, G2,...)
 (311) (310) , LCD (306) (310)

(303a 303b) (G1, G2,...) (GL1, GR1, GL2, GR2,...)
 5 LCD , 가

가 ,

7 , LCD (301) LCD LCD (309) (309)
 가 LCD
 LCD (301) , (orientation film) (rubbing) (307) (
 306) (306) (307) 20 ± 10 ° (305)
 , (305)
 (309) LCD (301) ,
 (309) 가 ,

8 , LCD (301) (312) LCD (301) LCD (301)
 (312) , LCD (301) (BL1, BL2...)
 (G1, G2 G3) (GL1, GL2 GL3,) ,
 (GL1, GL2 GL3) (COM1 COM2) (BL1)
 (GL4, GL5 GL6) (COM3 COM4) (BL2)

LCD (301) (GR1, GR2,...) (BR1, BR2,...)
 (GL1, GL2,...) (BL1, BL2, ...) , (DT1, DT2 DT
 3) (COM6 COM7)

LCD (301) LCD (301) 9 , (COM1, COM2,...)

3

3 , 1 (321), 3
(323) . 3 (323) 9 2 (322), 3
9 , (324) 3 (323) (322 321) , 2 (322)
(322 321) , 2 (322) 가 (3
24)가 (324) 2 (322) , ,
(324)가 (324) 3 (323) 2 (322) , 2 (322)
(324) 1 (321) , ,
(324) 3 (323) 1 (321) . 2 (322) (324)가
, 2 (322) 가 ,
(312) (DIS1, DIS2,...) .
, 9 (COM2 COM3) LCD (301) 1 (321)
(P1)
(P1) (312) (DIS1 DIS3) (P1) 가 (DIS3)가
(P1) 1 (321) (S0) (324a)
(324b 324c) , (P1) (324a) 3 (32
3) , 3 (323) (324d) 1 (321) (S3) , 가
(DIS3)
(P1) (324a), 3 (323), (324b 324c), 2 (322),
(324e 324f), 3 (323), (324d) 1 (321) (S3)
가
(P1) 1 (321) (S0), (324a), 3 (323), (324g) (324g)
1 (321) (S2) 가 (DIS2) . (324g) (
324a)
(P1) (DIS2) , (32) 4i) 1 (321) (S1) (DIS1) .
24d) 가 (P1) (324a) (3
(DIS3) , (P1) 3 (323) 1 (321)
(324g) 가 (DIS2) (P1)
가 (DS1) (COM2 COM3)

2 (322)

10 , 9 2 (322) , 1 , 3
 2 (322) , 2 (324) 1 (32
 1) 3 (323) , 가 가 2 (3
 22)

LCD

(57)

1.

(305), (302) (305)
 1 2 (202, 201) LCD , 1 (202) ,
 (302) (D1, D2,...);
 (302) (G1, G2,...);
 (307) (302) (307), (310, 311) (306),
 (308S), (D1, D2, ...) (308D) TFT(308) (308D)
 (G1, G2. ...) (310, 311);
 (302) (310, 311) (COM1, COM2,...);
 (D1, D2,...) (DT1, DT2,...)
 ;
 (G1, G2. ...) 1 (GL1,
 GL2,...);
 (G1, G2. ...) 2 (G
 R1, GR2,...) LCD .

2.

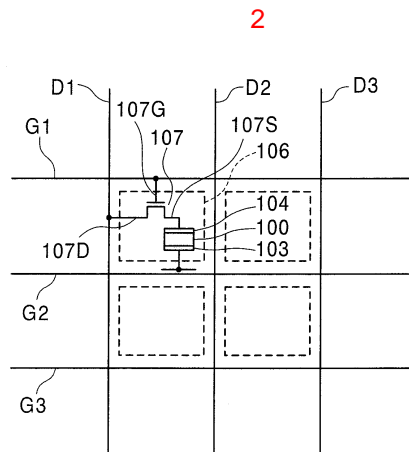
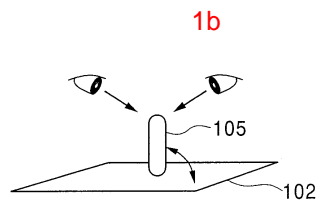
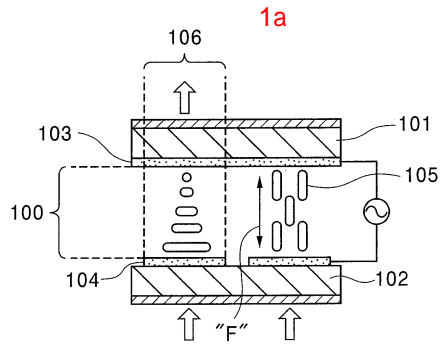
1 , 1 (202) 1 4 , 1 2 (GL1, GL
 2,...GR1, GR2,...) 1 2 (D1, D2, ...)
 3 LCD .

3.

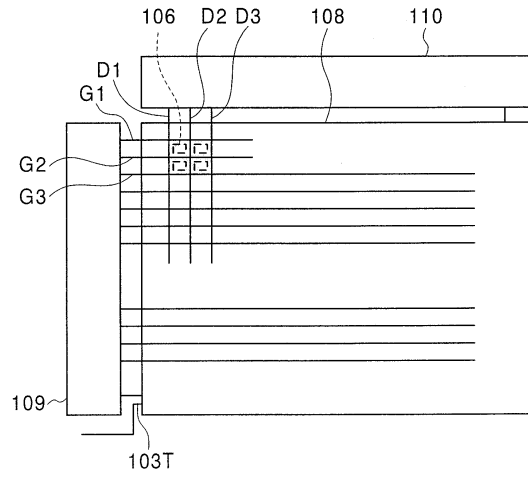
- 2 , (305) LCD . 4 (309)
- 4.
- 2 , (305) LCD . 4
(309)
- 5.
- 3 , (309) (G1, G2. ...) LCD .
- 6.
- 5 , (309) (307) (306) LCD .
- 7.
- 3 , (309) 3 (305) LCD .
30 °
- 8.
- 1 , (306) (302) , (COM2, COM3) LCD .
- 9.
- 8 , (GL1, GL2,...GR1, GR2,...) / (DT1, (COM1, CO
DT2,...) (BL1, BL2,...,BR1, BR2,...) , LCD .
M2,...) (BL1, BL2,...,BR1, BR2,...)
- 10.
- 8 , (COM2, COM3) (COM2, COM3)
(DIS1, DIS2, DIS3) (306)
(321 - 324) 1 , (COM2, COM3) (COM2, C
OM3) (DIS1, DIS2, DIS3) (306)
2 LCD .
- 11.
- 10 , 1 2 (324) , 1 (3
24a) 2 (324g) LCD .

12.

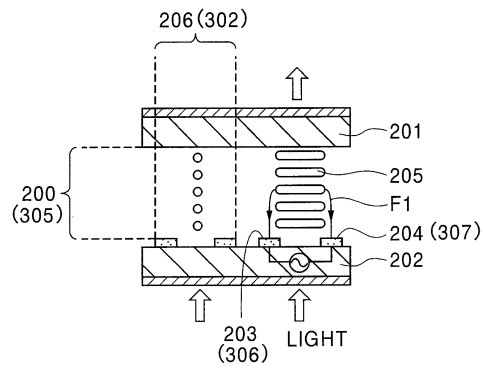
11 , 1 2
LCD .



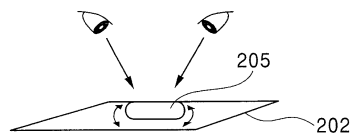
3



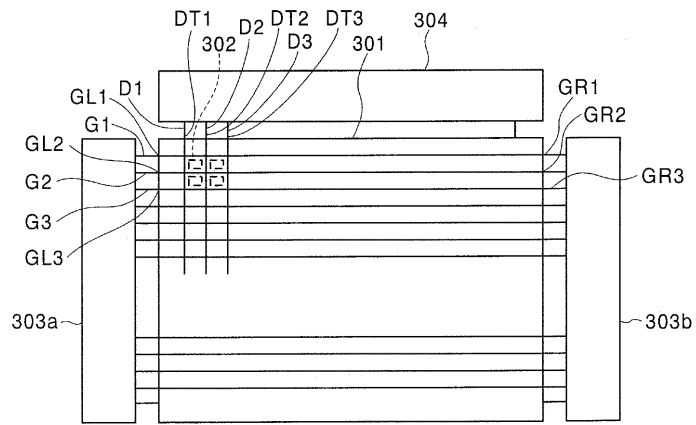
4a



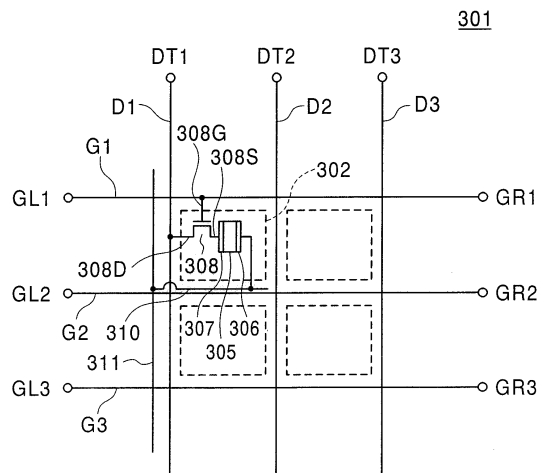
4b



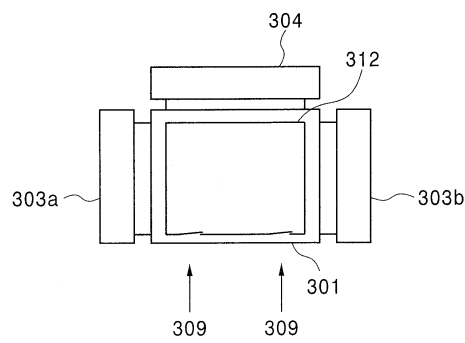
5



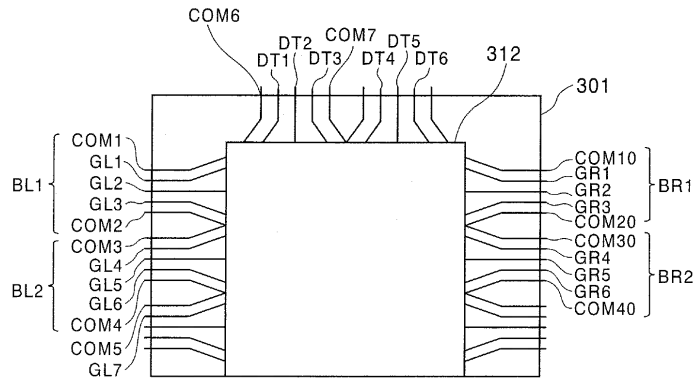
6



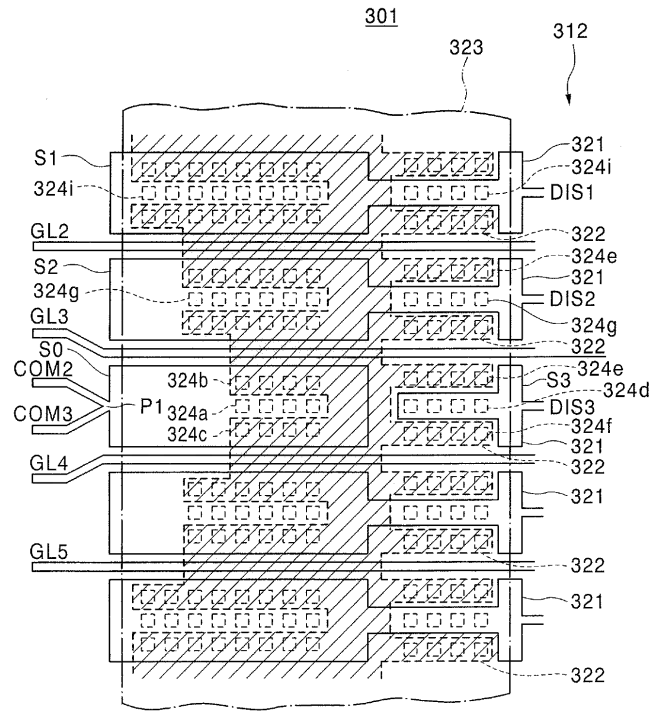
7



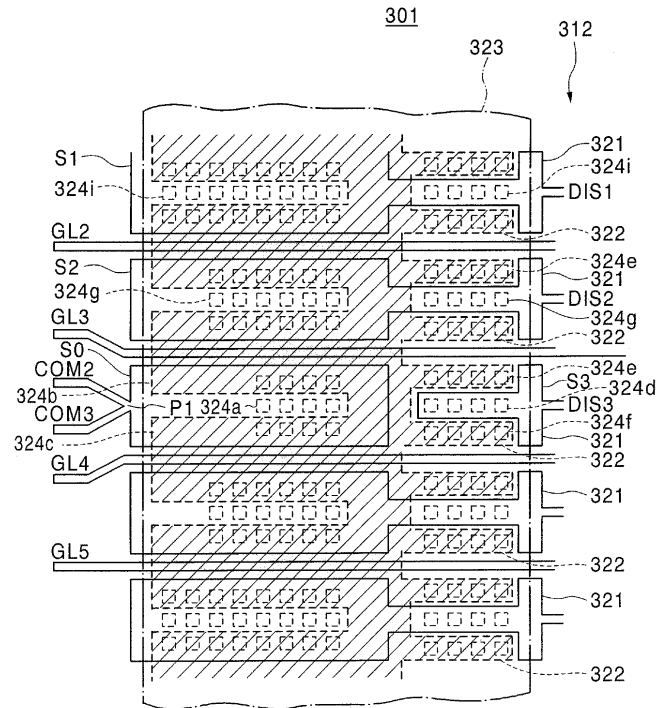
8



9



10



专利名称(译)	内部开关模式液晶显示装置		
公开(公告)号	KR100355593B1	公开(公告)日	2002-10-11
申请号	KR1020000062407	申请日	2000-10-23
申请(专利权)人(译)	日本电气有限公司sikki		
当前申请(专利权)人(译)	日本电气有限公司sikki		
[标]发明人	HIDEHIRA MASANOBU 히데히라마사노부 KUROHA SYOICHI 구로하쇼위치 MATSUMOTO SEIICHI 마쓰모토세이치 TAMURA FUMINORI 다무라후미노리		
发明人	히데히라마사노부 구로하쇼위치 마쓰모토세이치 다무라후미노리		
IPC分类号	G09G3/36		
代理人(译)	JO , EUI JE		
优先权	1999301727 1999-10-22 JP		
其他公开文献	KR1020010040164A		

摘要(译)

内部切换模式LCD面板具有多个扫描端子GL1, GL2,, 每个扫描端子在每条扫描线G1, G2, ...的每一端设置有扫描信号。连接到像素302的公共电极306和一个块的扫描端子GL1, GL2, 的公共端子连接到接线盒形成BL1, BL2, ...以防止像素302之间的串扰并在像素302之间实现均匀的驱动电压。五 指数方面 信号延迟, 终端分组, 公共电极, 线路电阻 - 1 -

